

US00D754369S

(12) **United States Design Patent**  
**Ohshima et al.**

(10) **Patent No.:** **US D754,369 S**  
(45) **Date of Patent:** **\*\* Apr. 19, 2016**

(54) **FREE ACCESS FLOOR PANEL**

(71) Applicants: **Hitachi Metals Techno, Ltd.**, Tokyo (JP); **Ishii Press Industries Co., Ltd.**, Koshigaya-shi, Saitama (JP)

(72) Inventors: **Takashi Ohshima**, Kumagaya (JP); **Atsuhiko Kobayashi**, Tokyo (JP); **Tsukasa Matsuzaki**, Koshigaya (JP); **Yuichi Nakabo**, Koshigaya (JP)

(73) Assignee: **SENQCIA CO., LTD.**, Tokyo (JP)

(\*\*) Term: **14 Years**

(21) Appl. No.: **29/484,845**

(22) Filed: **Mar. 13, 2014**

(30) **Foreign Application Priority Data**

Sep. 17, 2013 (JP) ..... 2013-021509

(51) **LOC (10) Cl.** ..... **25-01**

(52) **U.S. Cl.**  
USPC ..... **D25/138**

(58) **Field of Classification Search**  
USPC ..... D6/582, 583, 585, 594; D25/138, 139, D25/140, 199  
CPC ..... E04B 1/24; E04B 5/00; E04C 1/39; E04C 2/32; E04C 2/44; E04C 2/50; E04C 3/32; E04F 15/00; E04F 15/02; E04F 15/04; E04F 15/02429; E04F 15/02441; E04F 2201/05; E04F 2201/023; E04F 2201/025; E04F 2201/026; E04F 2201/0138

See application file for complete search history.

(56) **References Cited**

U.S. PATENT DOCUMENTS

4,856,256	A *	8/1989	Tokuzo	.....	E04F 15/02429
					52/789.1
5,115,621	A *	5/1992	Kobayashi	.....	E04F 15/02441
					52/630
D342,330	S *	12/1993	Kobayashi	.....	D25/158
6,293,062	B1 *	9/2001	Chen	.....	E04F 15/024
					52/126.5
D636,098	S *	4/2011	Reynolds	.....	D25/138
D668,423	S *	10/2012	Brockington	.....	D12/203
D729,744	S *	5/2015	Nelson	.....	D13/152
D734,875	S *	7/2015	Masuda	.....	D25/133
D734,876	S *	7/2015	Masuda	.....	D25/133
9,090,030	B2 *	7/2015	Fenollosa Esteve	....	B29C 70/78

\* cited by examiner

*Primary Examiner* — Eric Goodman

*Assistant Examiner* — Amy Wierenga

(74) *Attorney, Agent, or Firm* — Bacon & Thomas, PLLC

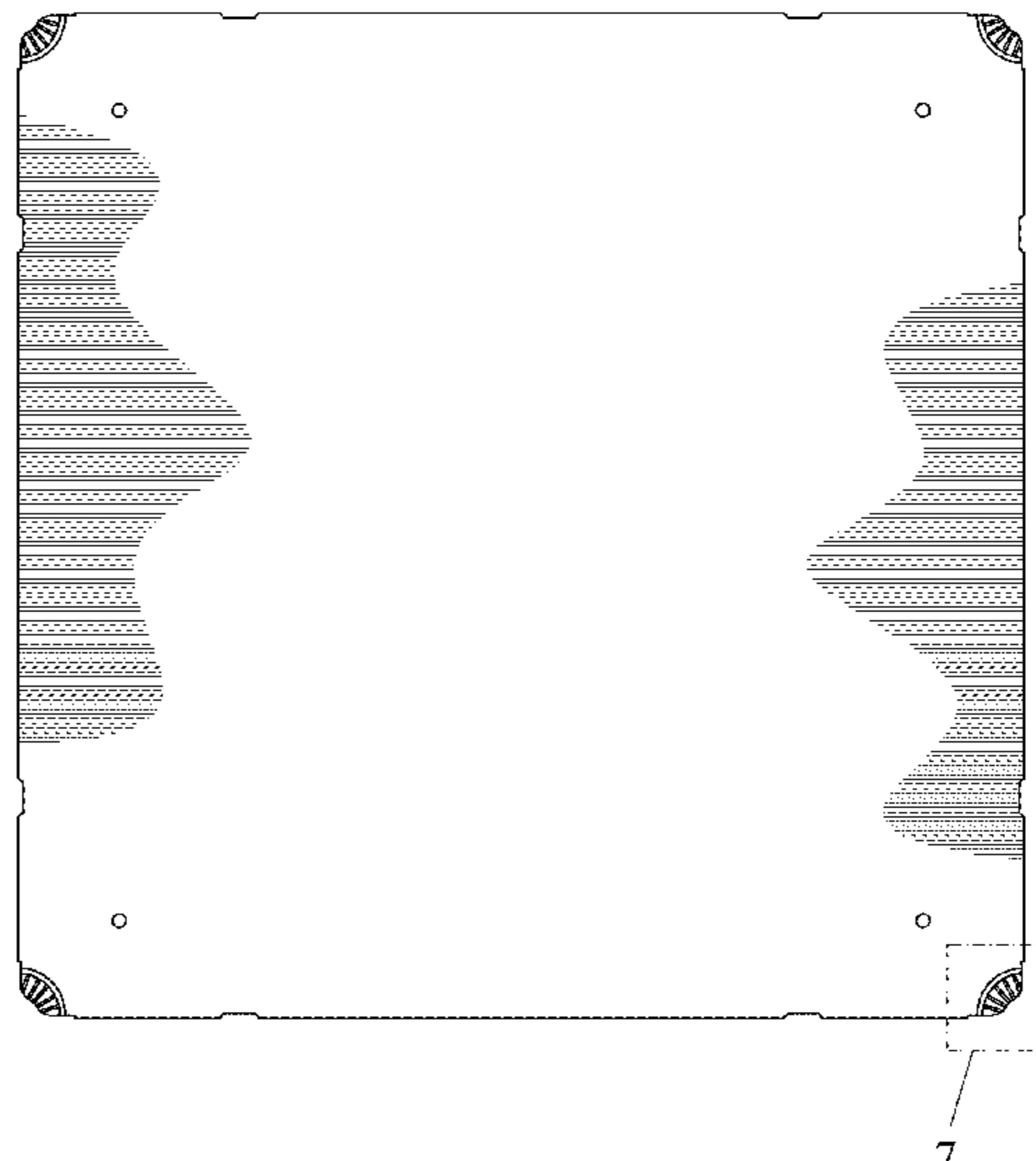
(57) **CLAIM**

The ornamental design for a free access floor panel, as shown and described.

**DESCRIPTION**

FIG. 1 is a front elevational view of a free access floor panel showing our new design;  
FIG. 2 is a rear elevational view thereof;  
FIG. 3 is a right side elevational view, the left side elevational view being a mirror image thereof;  
FIG. 4 is a top plan view thereof;  
FIG. 5 is a bottom plan view thereof;  
FIG. 6 is a sectional view taken along line 6-6 of FIG. 3;  
FIG. 7 is an enlarged detail taken from FIG. 4;  
FIG. 8 is a sectional view taken along line 8-8 of FIG. 7;  
FIG. 9 is a sectional view taken along line 9-9 of FIG. 7; and, FIG. 10 is an enlarged detail taken from FIG. 9.  
The dot dash broken line indicates cutoff boundaries for enlarged detailed portion views and form no part of the claimed design.

**1 Claim, 6 Drawing Sheets**



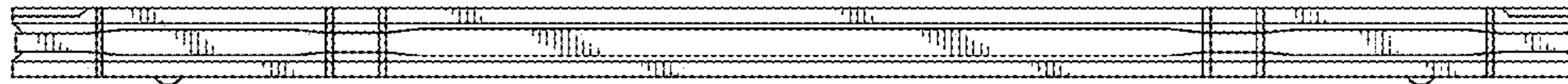


FIG. 1

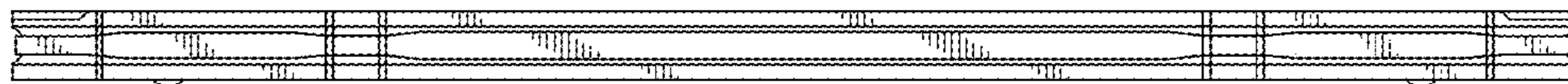


FIG. 2



FIG. 3

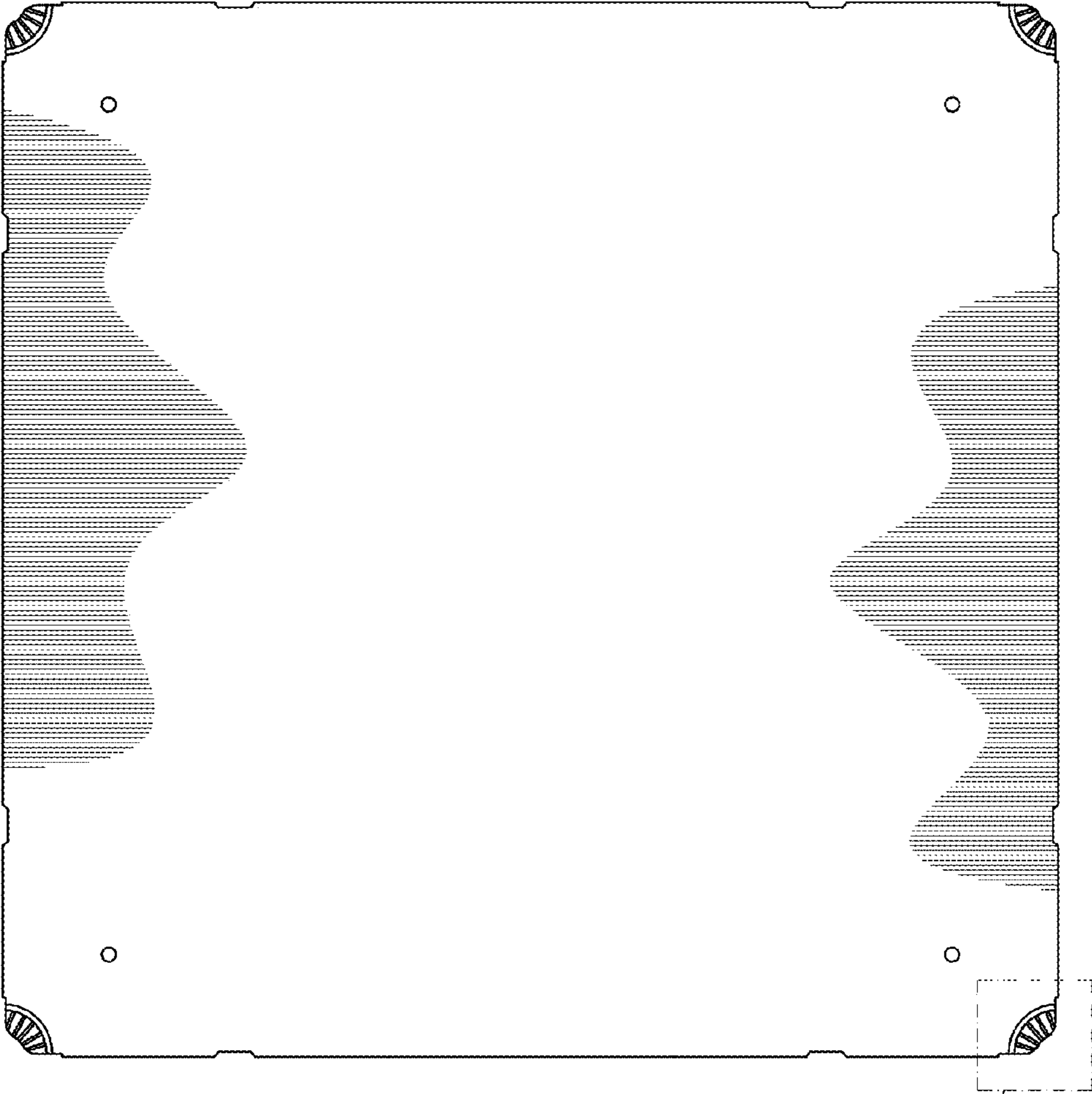


FIG. 4

7

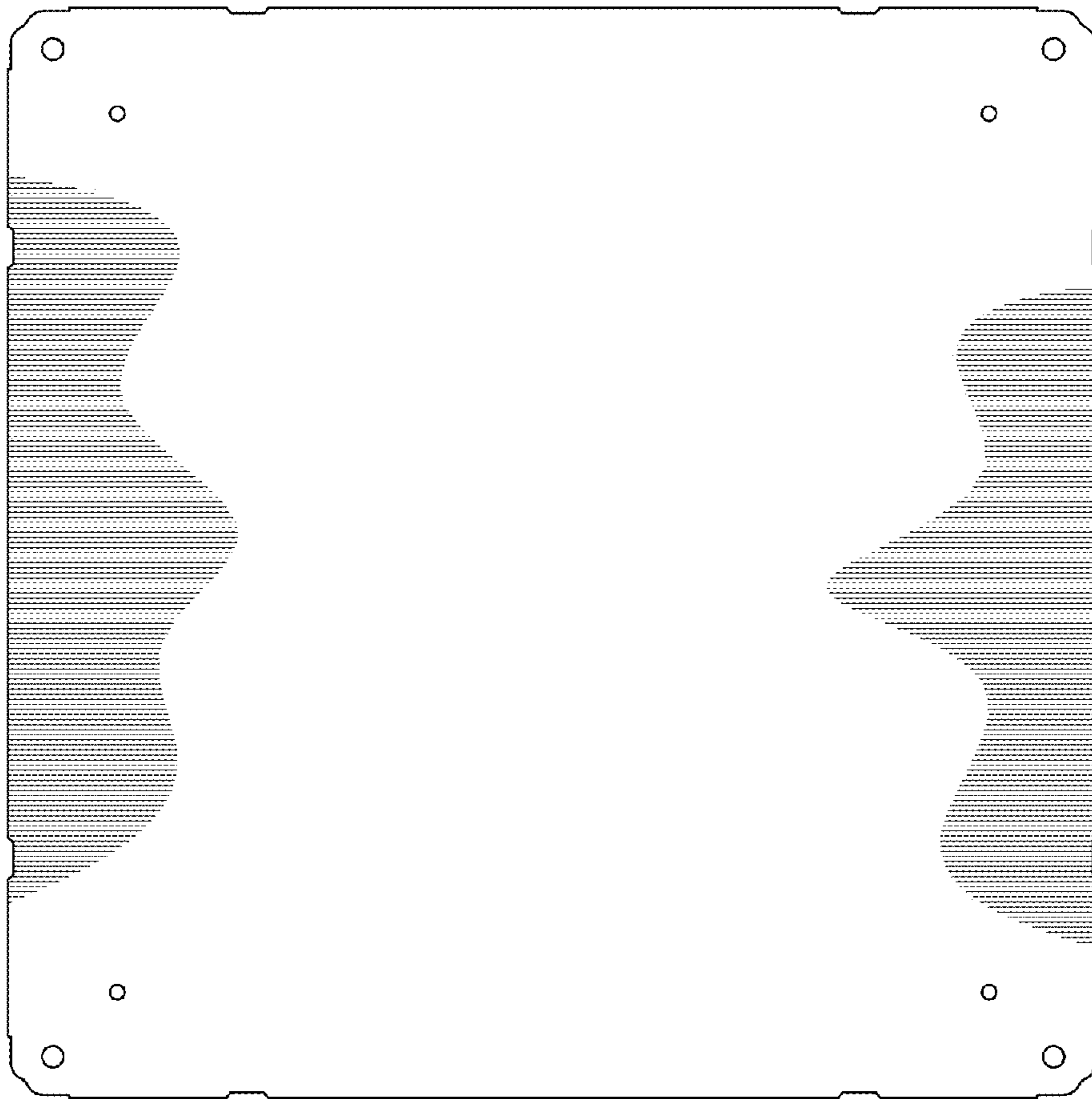


FIG. 5

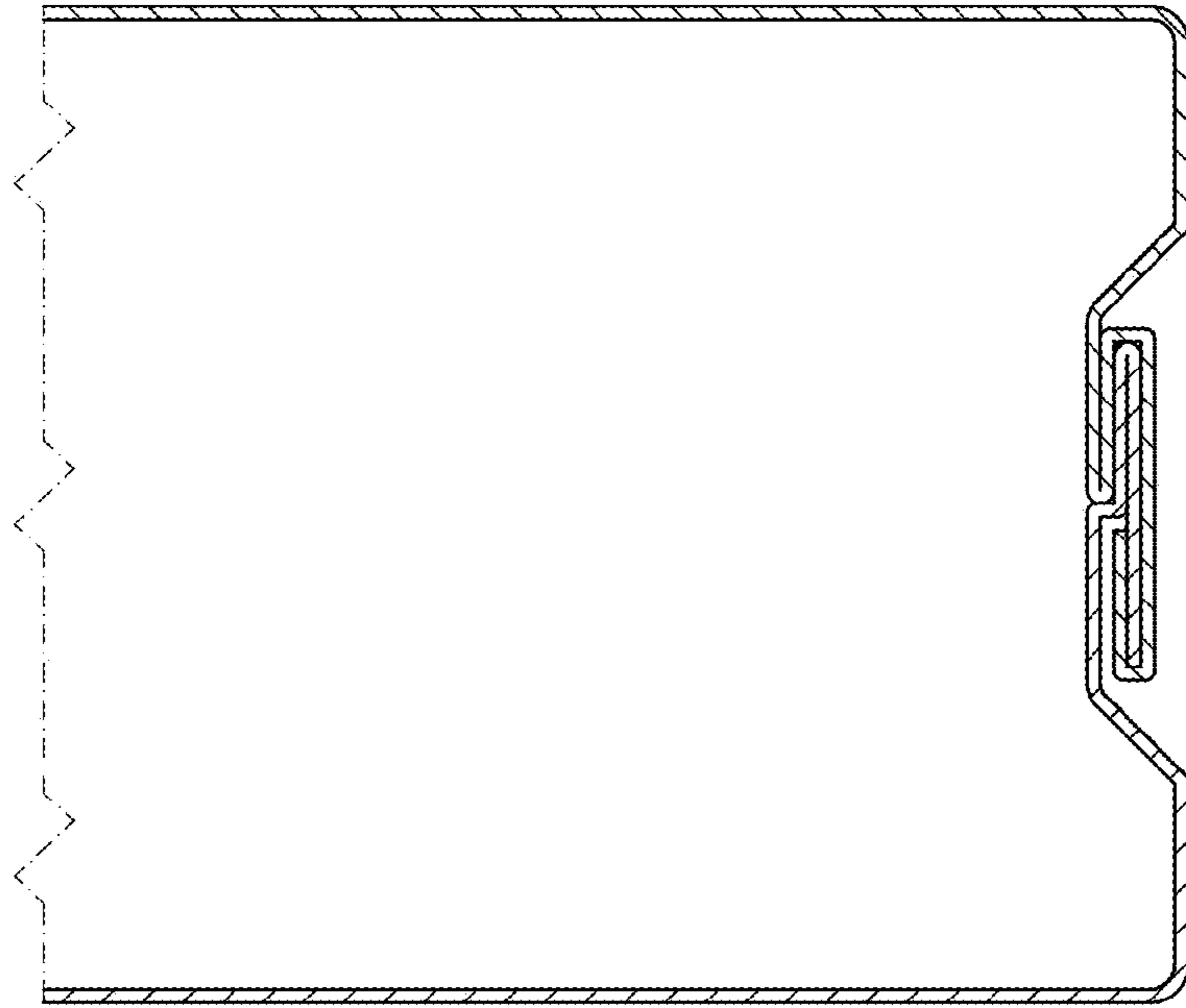


FIG. 6

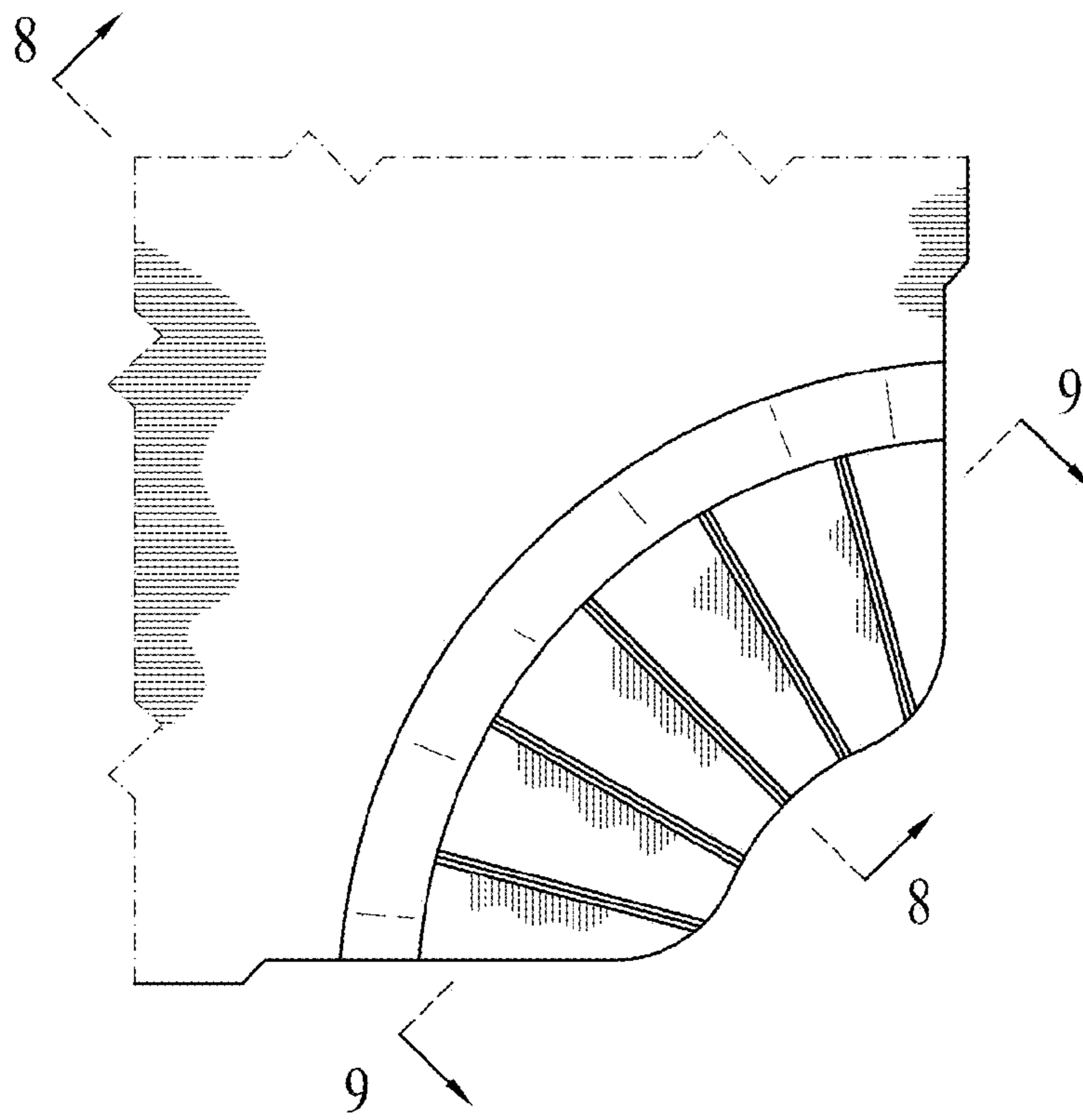


FIG. 7

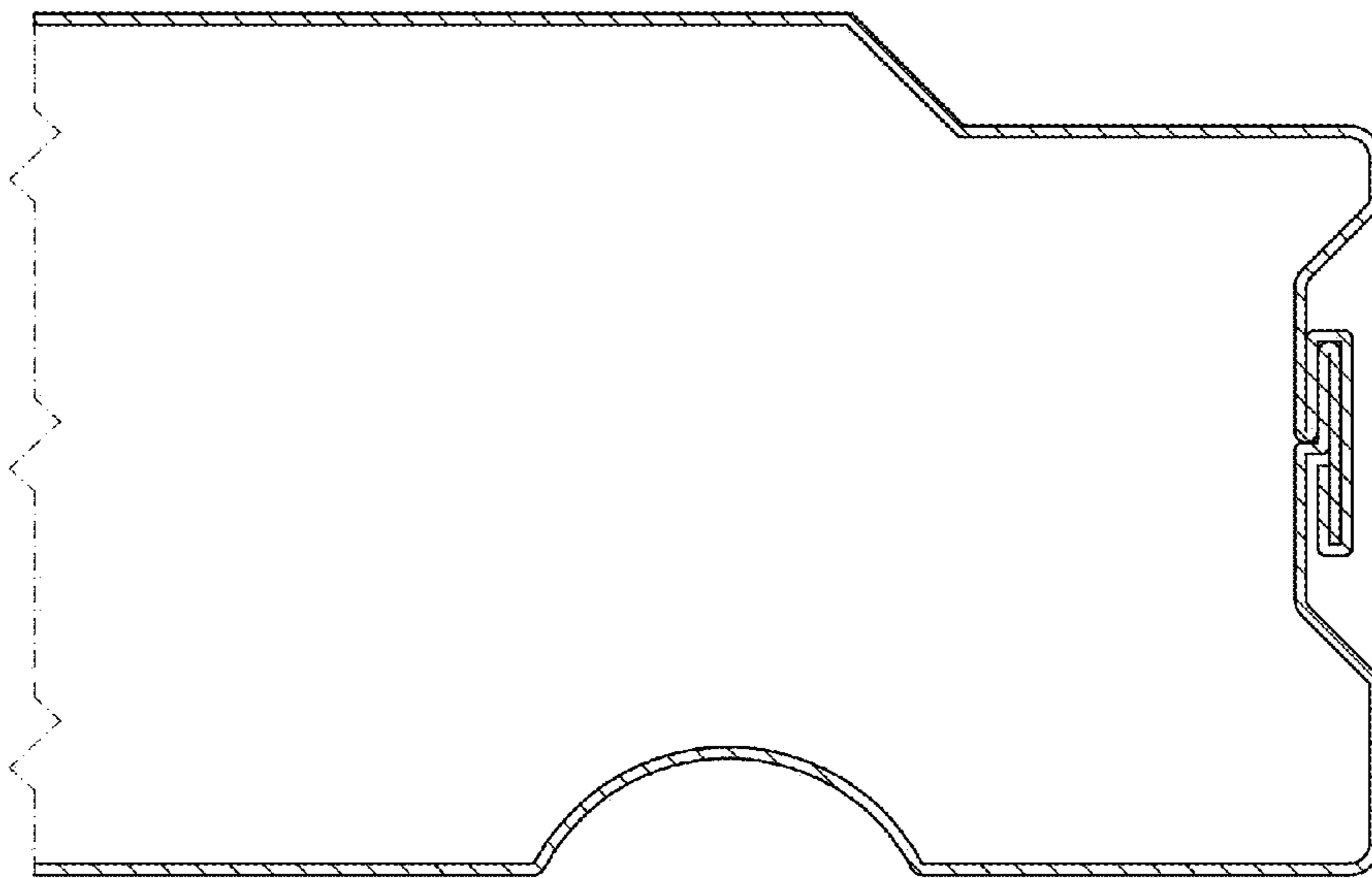


FIG. 8

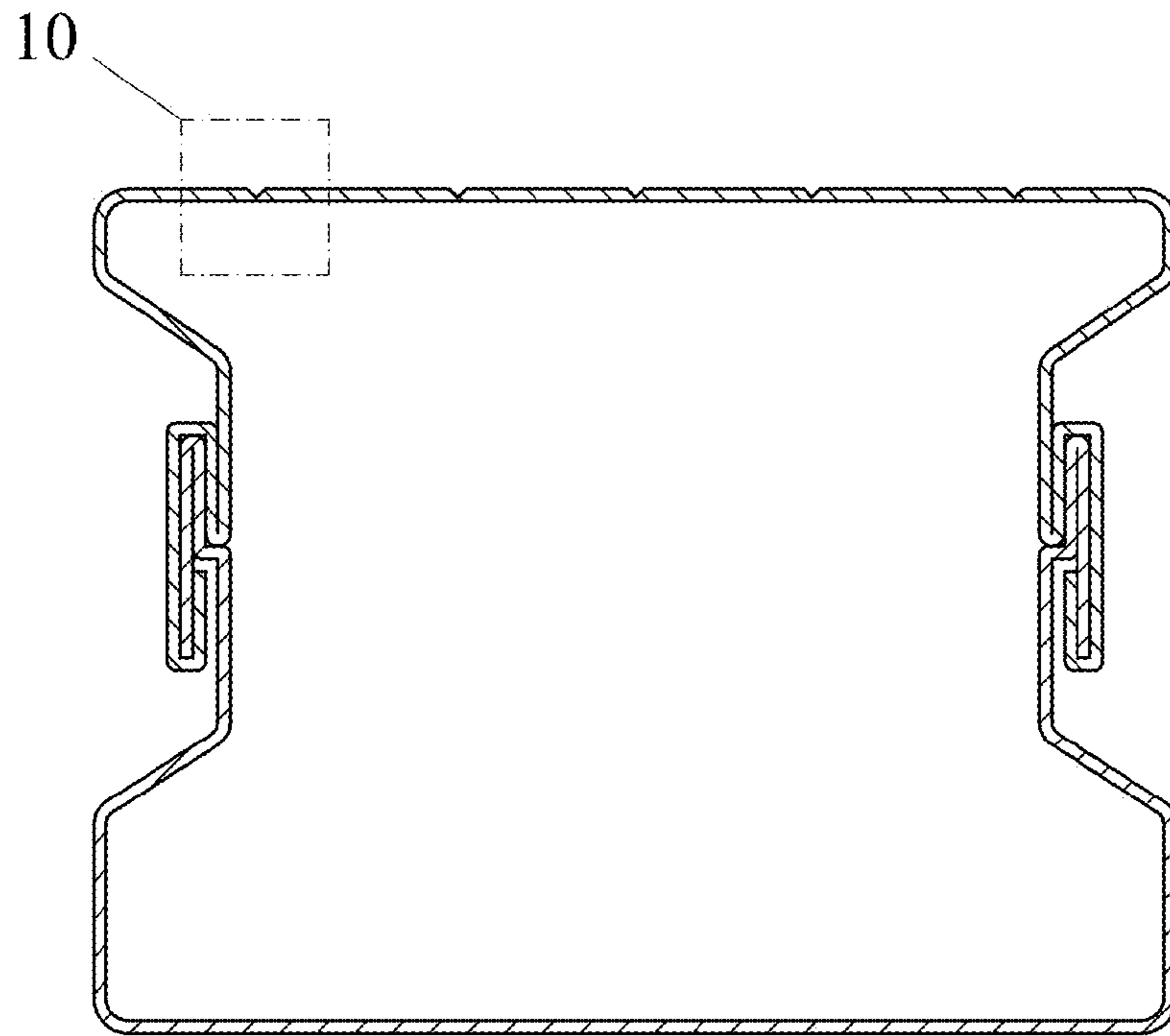


FIG. 9



FIG. 10