



US00D754368S

(12) **United States Design Patent**  
**Ohshima et al.**

(10) **Patent No.:** **US D754,368 S**  
(45) **Date of Patent:** **\*\* Apr. 19, 2016**

- (54) **FREE ACCESS FLOOR PANEL**
- (71) Applicants: **Hitachi Metals Techno, Ltd.**, Tokyo (JP); **Ishii Press Industries Co., Ltd.**, Koshigaya-shi, Saitama (JP)
- (72) Inventors: **Takashi Ohshima**, Kumagaya (JP); **Atsuhiko Kobayashi**, Tokyo (JP); **Tsukasa Matsuzaki**, Koshigaya (JP); **Yuichi Nakabo**, Koshigaya (JP)
- (73) Assignee: **SENQCIA CO., LTD.**, Tokyo (JP)
- (\*\*) Term: **14 Years**
- (21) Appl. No.: **29/484,839**
- (22) Filed: **Mar. 13, 2014**
- (30) **Foreign Application Priority Data**  
  - Sep. 17, 2013 (JP) ..... 2013-021508
- (51) **LOC (10) Cl.** ..... **25-01**
- (52) **U.S. Cl.**  
USPC ..... **D25/138**
- (58) **Field of Classification Search**  
  - USPC ..... D6/582, 583, 585, 594; D25/138, 139, D25/140, 199
  - CPC ..... E04B 1/24; E04B 5/00; E04C 1/39; E04C 2/32; E04C 2/44; E04C 2/50; E04C 3/32; E04F 15/00; E04F 15/02; E04F 15/04; E04F 15/02429; E04F 15/02441; E04F 2201/05; E04F 2201/023; E04F 2201/025; E04F 2201/026; E04F 2201/0138

See application file for complete search history.
- (56) **References Cited**  
  - U.S. PATENT DOCUMENTS**
  - 4,856,256 A \* 8/1989 Tokuzo ..... E04F 15/02429 52/789.1
  - 5,049,700 A \* 9/1991 Kobayashi ..... E04F 15/02405 174/482

- 5,115,621 A \* 5/1992 Kobayashi ..... E04F 15/02441 52/630
- D342,330 S \* 12/1993 Kobayashi ..... D25/158
- 5,459,968 A \* 10/1995 Jin ..... H02G 3/285 52/126.2
- 6,293,062 B1 \* 9/2001 Chen ..... E04F 15/024 52/126.5
- D636,098 S \* 4/2011 Reynolds ..... D25/138
- D668,423 S \* 10/2012 Brockington ..... D12/203
- D729,744 S \* 5/2015 Nelson ..... D13/152
- D734,875 S \* 7/2015 Masuda ..... D25/133
- D734,876 S \* 7/2015 Masuda ..... D25/133
- 9,090,030 B2 \* 7/2015 Fenollosa Esteve .... B29C 70/78

\* cited by examiner

*Primary Examiner* — Eric Goodman  
*Assistant Examiner* — Amy Wierenga

(74) *Attorney, Agent, or Firm* — Bacon & Thomas, PLLC

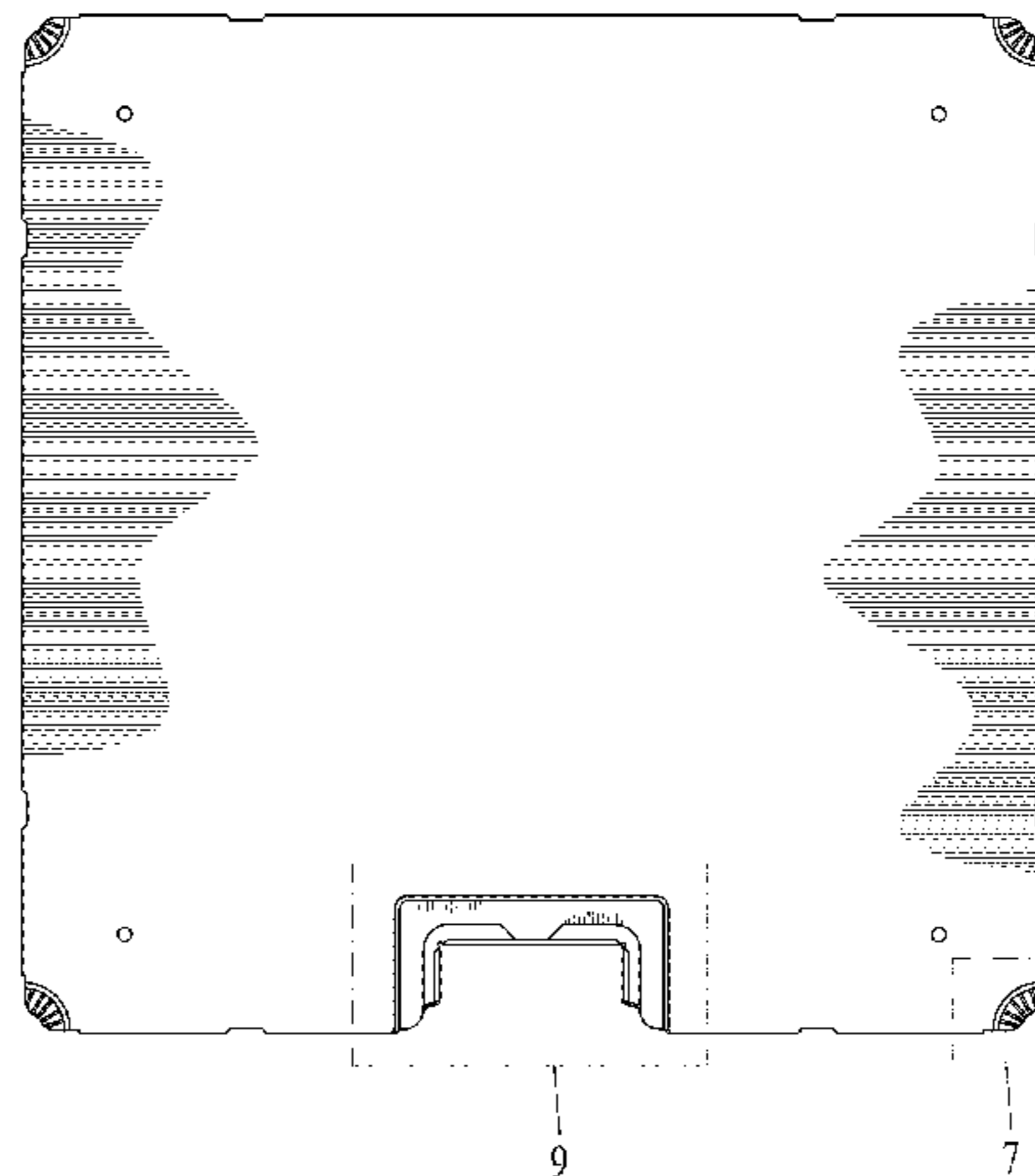
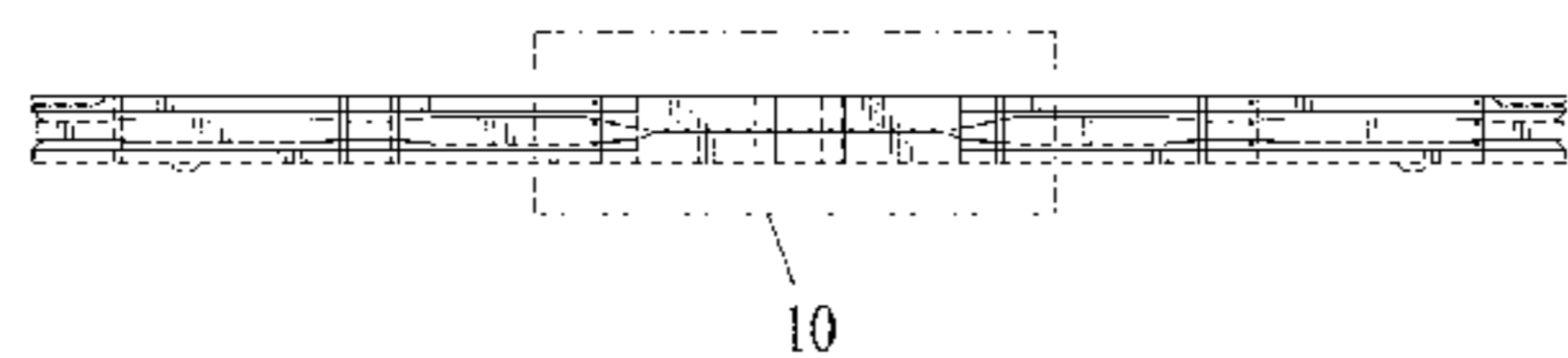
(57) **CLAIM**

The ornamental design for a free access floor panel, as shown and described.

**DESCRIPTION**

FIG. 1 is a front elevational view of a free access floor panel showing our new design;  
 FIG. 2 is a rear elevational view thereof;  
 FIG. 3 is a right side elevational view, the left side elevational view being a mirror image thereof;  
 FIG. 4 is a top plan view thereof;  
 FIG. 5 is a bottom plan view thereof;  
 FIG. 6 is a sectional view taken along line 6-6 of FIG. 3;  
 FIG. 7 is an enlarged detail taken of FIG. 4;  
 FIG. 8 is a sectional view taken along line 8-8 of FIG. 7;  
 FIG. 9 is an enlarged detail taken from FIG. 4;  
 FIG. 10 is an enlarged detail taken from FIG. 1;  
 FIG. 11 is an enlarged detail taken from FIG. 5;  
 FIG. 12 is a sectional view taken along line 12-12 of FIG. 7; and,  
 FIG. 13 is an enlarged detail taken from FIG. 12.  
 The dot dash broken line indicates cutoff boundaries for enlarged detailed portion views and form no part of the claimed design.

**1 Claim, 7 Drawing Sheets**



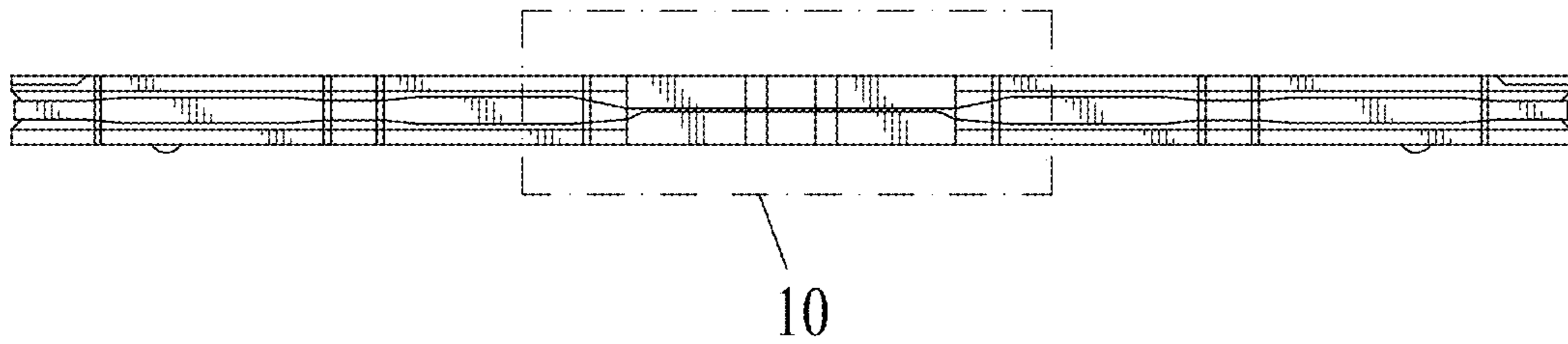


FIG. 1

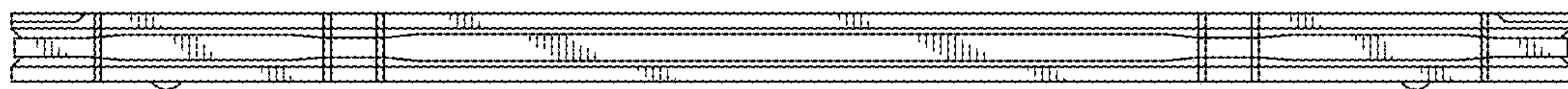


FIG. 2

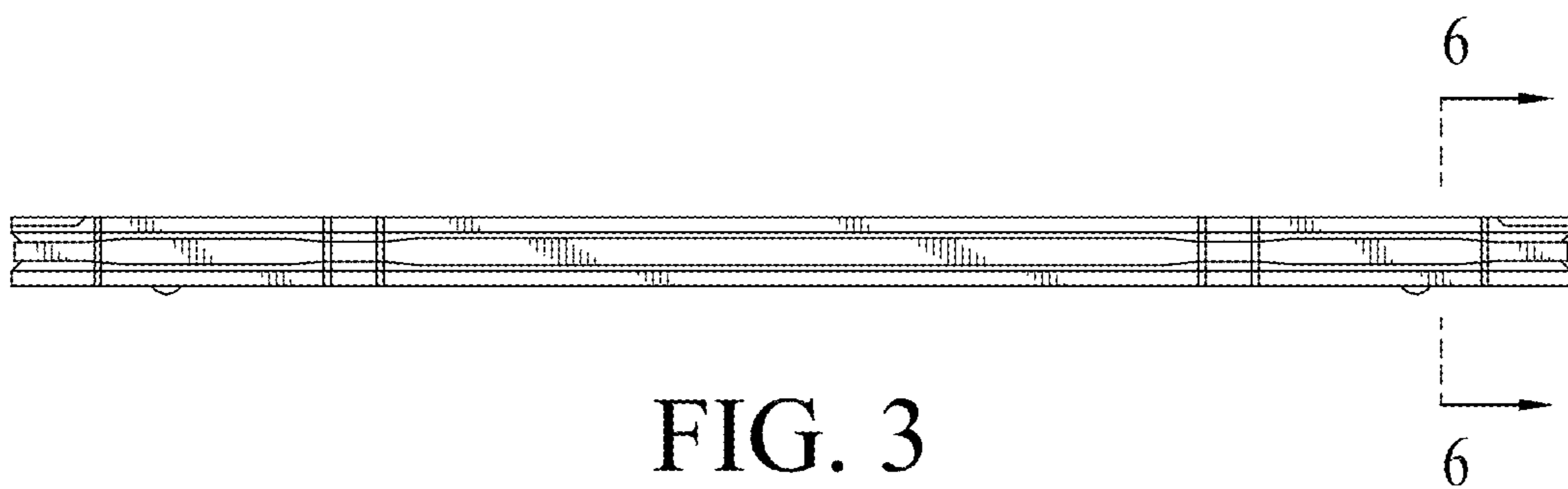


FIG. 3

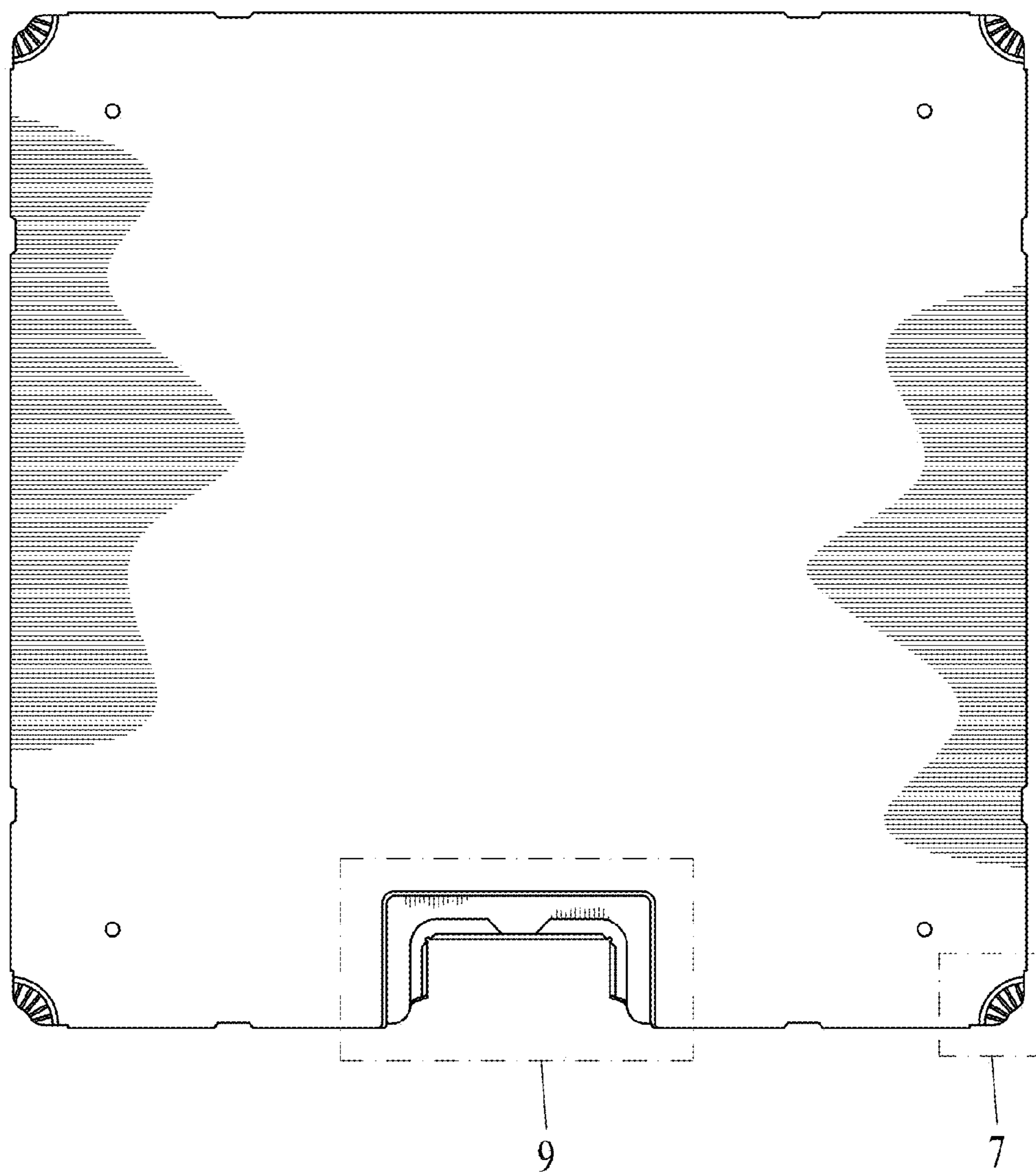


FIG. 4

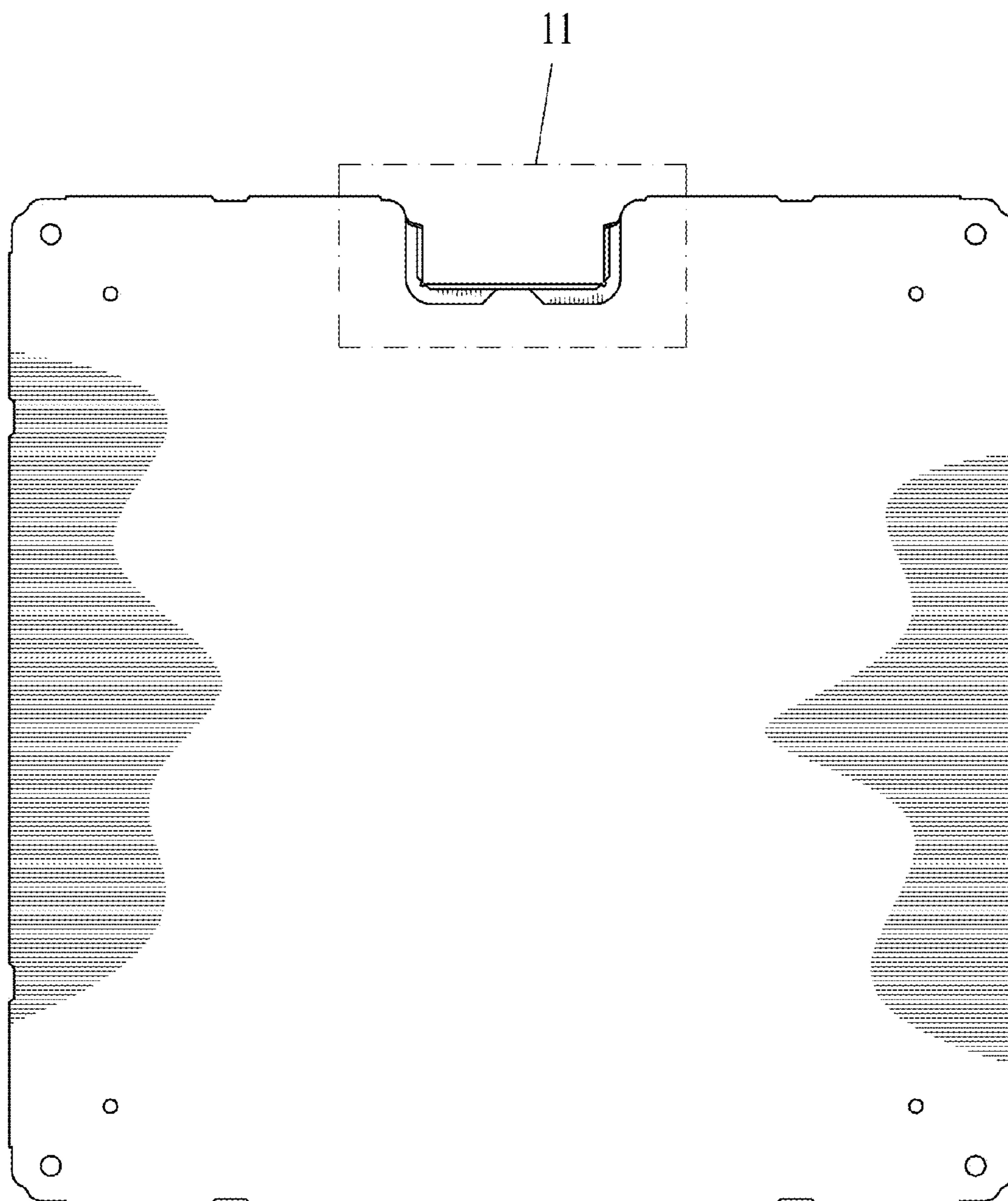


FIG. 5

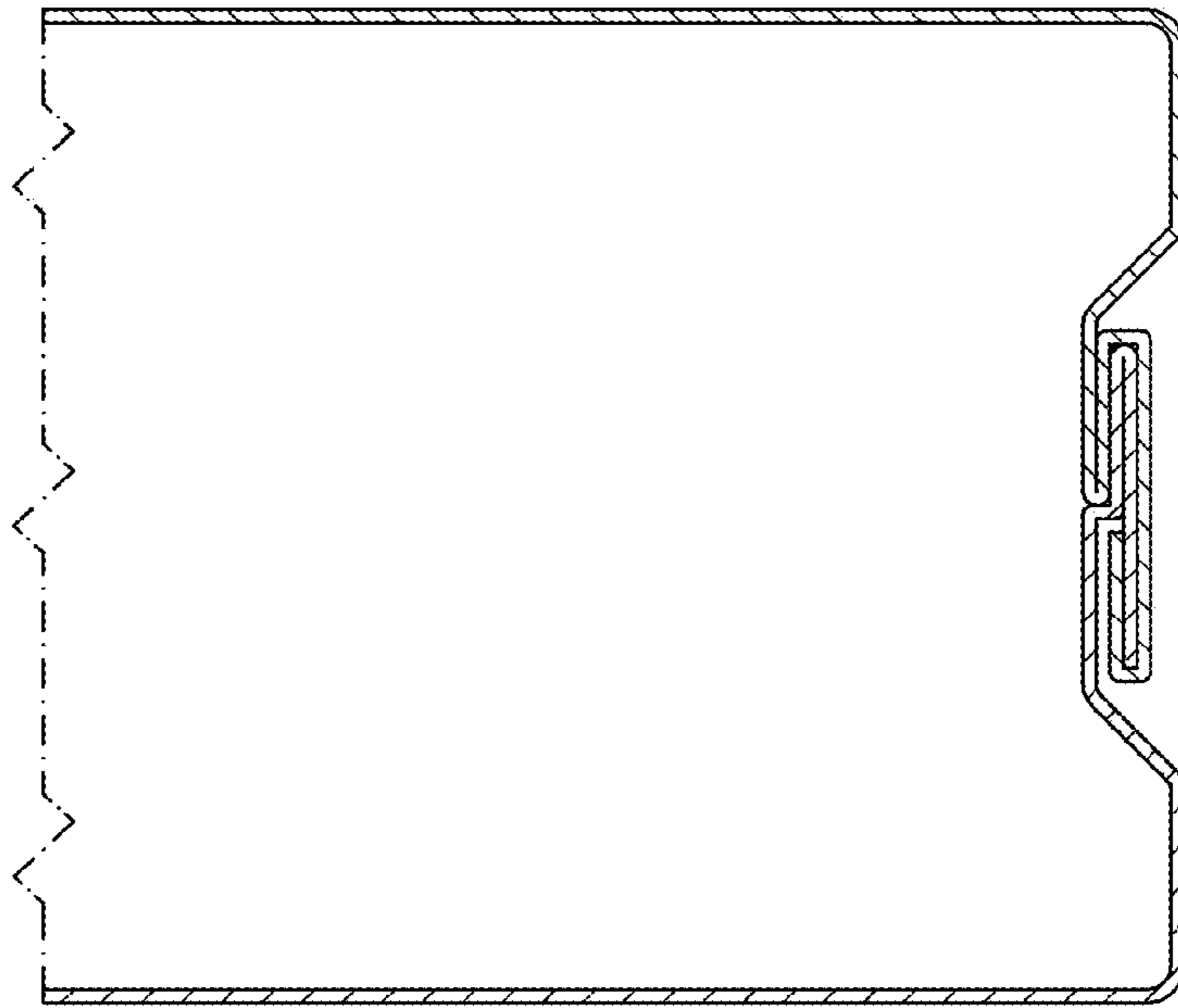


FIG. 6

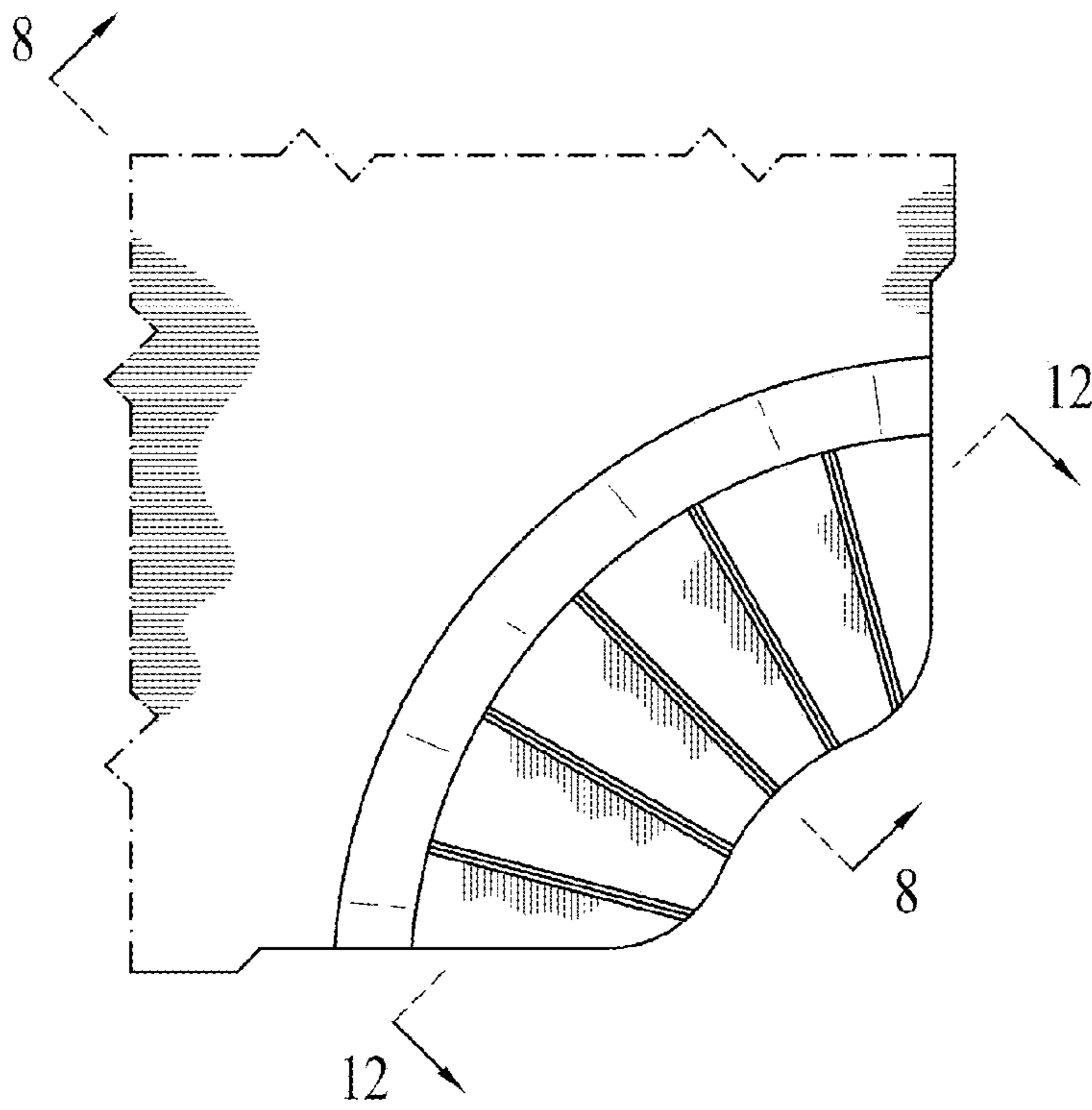


FIG. 7

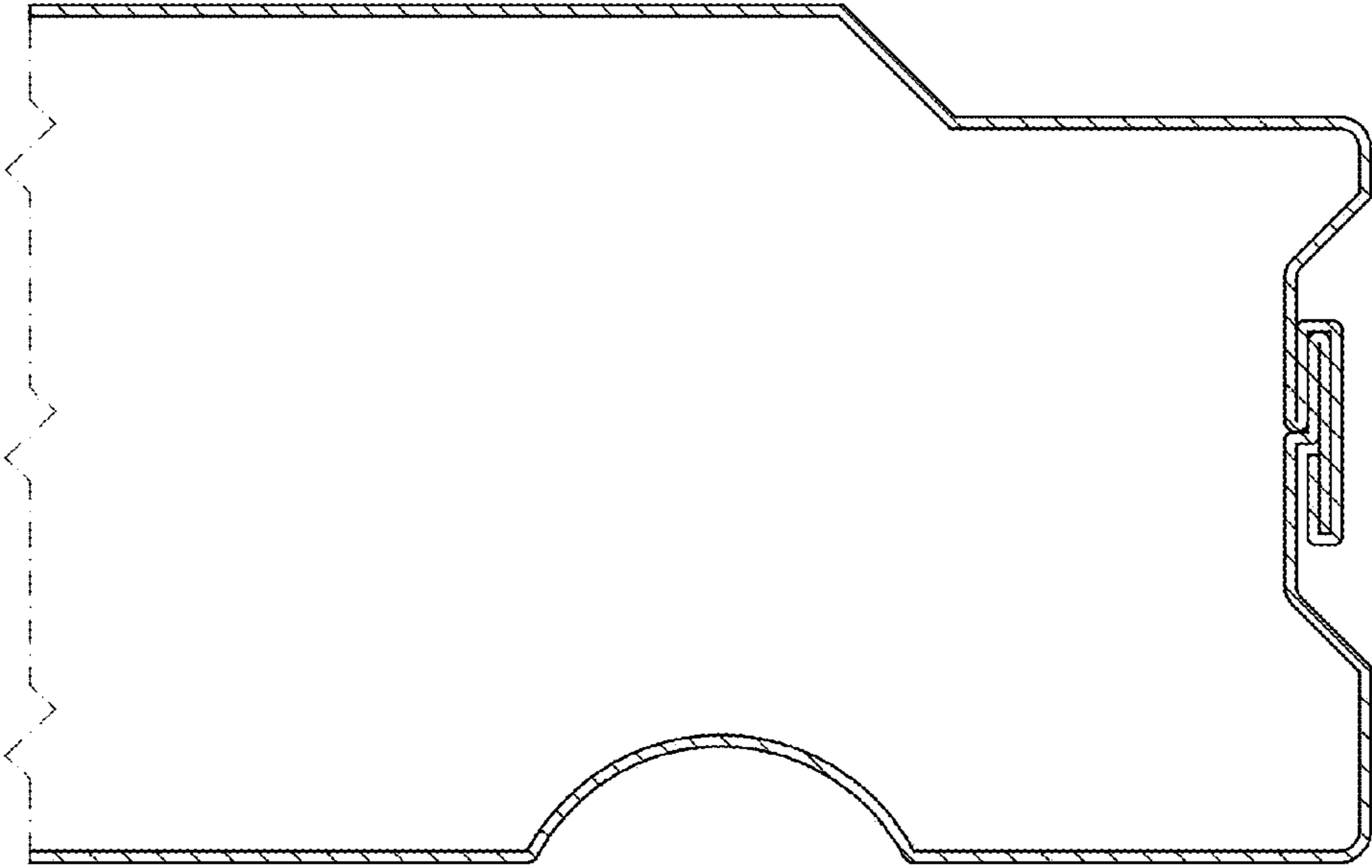


FIG. 8

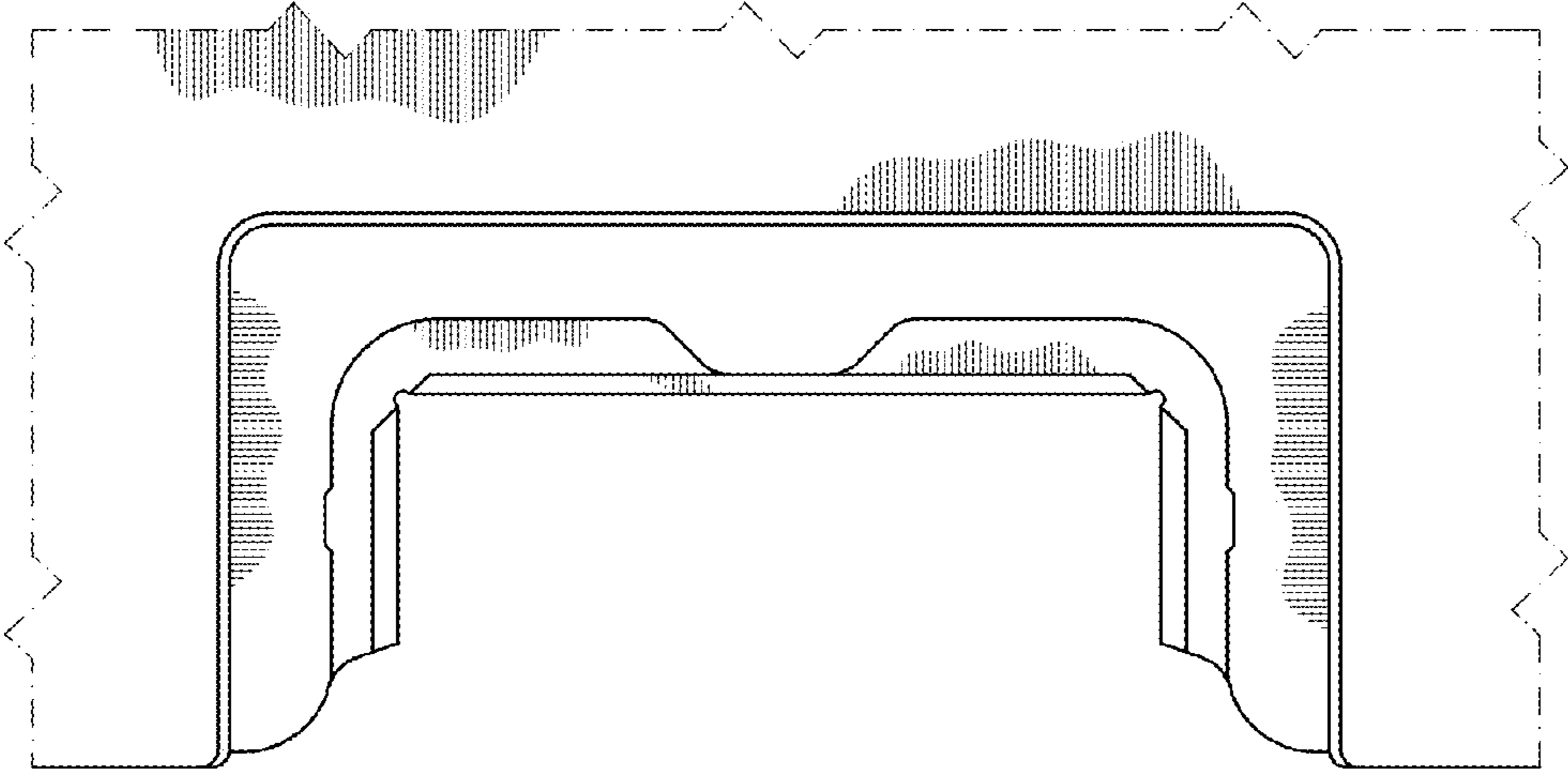


FIG. 9

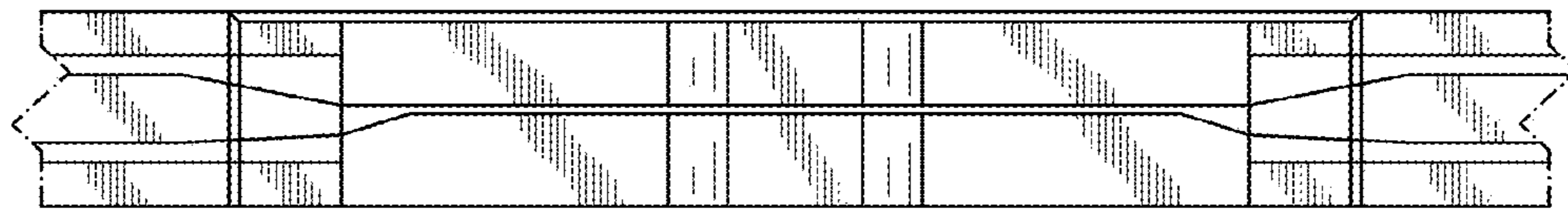


FIG. 10

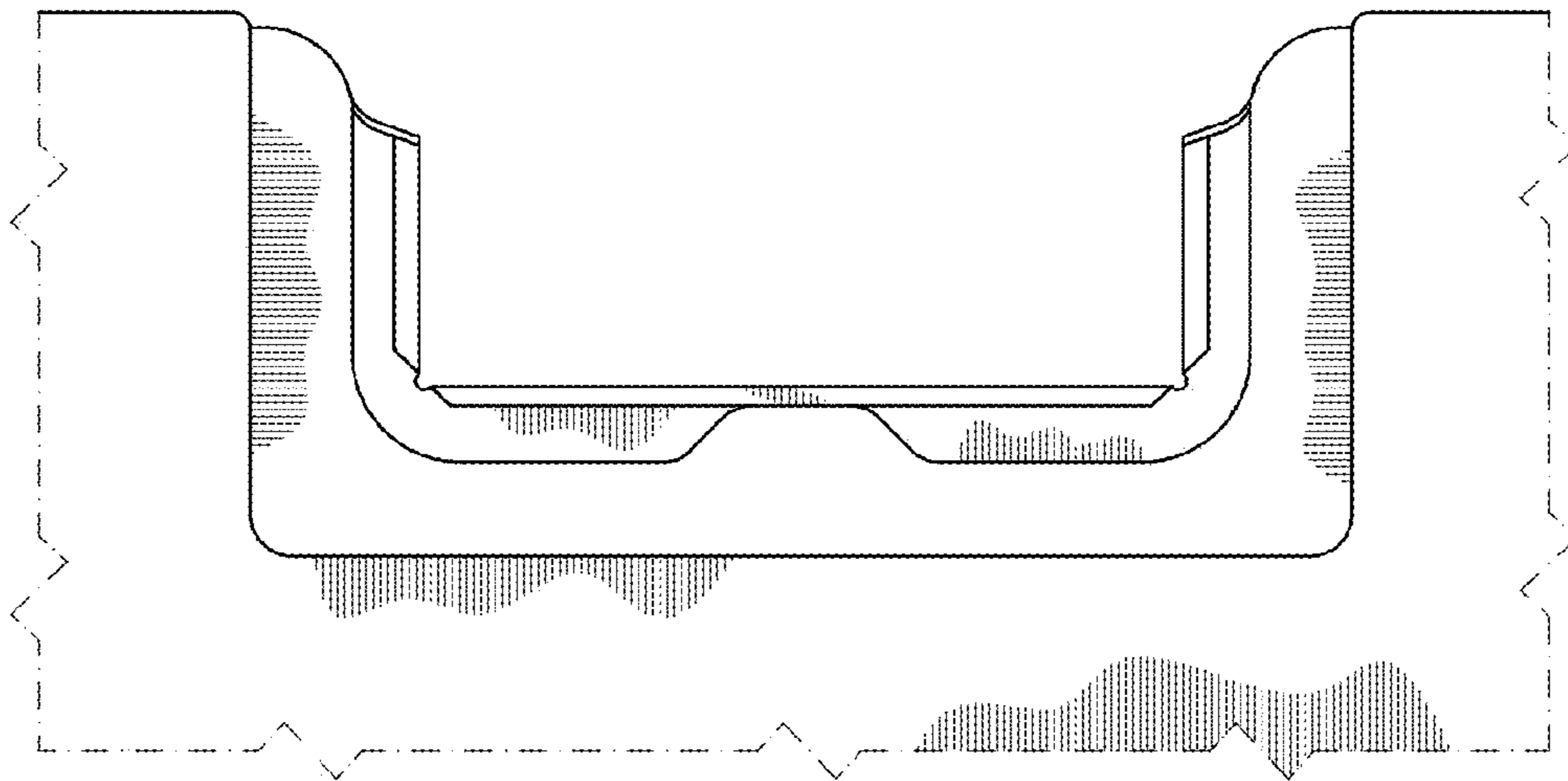


FIG. 11

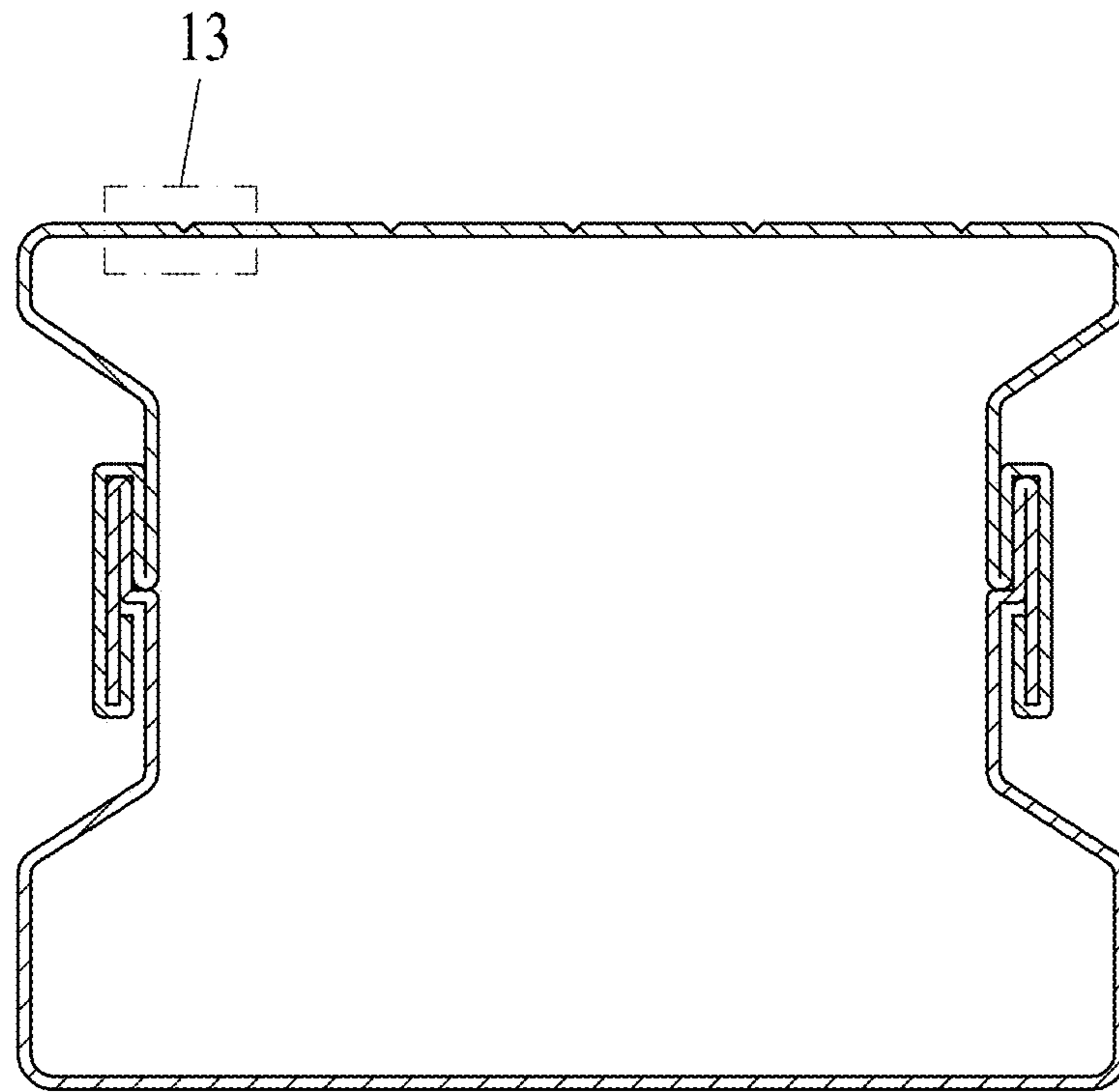


FIG. 12



FIG. 13