



US00D754367S

(12) **United States Design Patent**  
**Morton**

(10) **Patent No.:** **US D754,367 S**

(45) **Date of Patent:** **\*\* Apr. 19, 2016**

(54) **WINDOW MAIN FRAME EXTRUSION**

(71) Applicant: **Deceuninck North America, LLC**,  
Monroe, OH (US)

(72) Inventor: **Philip G. Morton**, Germantown, OH  
(US)

(73) Assignee: **Deceuninck North America, LLC**,  
Monroe, OH (US)

(\*\*) Term: **14 Years**

(21) Appl. No.: **29/512,889**

(22) Filed: **Dec. 23, 2014**

(51) **LOC (10) Cl.** ..... **25-01**

(52) **U.S. Cl.**  
USPC ..... **D25/124**

(58) **Field of Classification Search**  
USPC ..... D25/124  
CPC ..... E06B 3/205; E06B 3/224; E06B 3/00;  
E06B 3/22; E06B 3/20; E06B 1/16; E06B  
1/30; E06B 1/28; E06B 1/40; E05D 15/20;  
E05D 15/22

See application file for complete search history.

(56) **References Cited**

U.S. PATENT DOCUMENTS

6,647,676 B1 *	11/2003	Hansen	.....	E04D 13/0357 52/200
D572,836 S *	7/2008	Willman	.....	D25/124
D576,306 S *	9/2008	Morton	.....	D25/124
2003/0024182 A1 *	2/2003	Yeany	.....	E06B 1/30 52/204.67

\* cited by examiner

*Primary Examiner* — Doris Clark

(74) *Attorney, Agent, or Firm* — Jacox, Meckstroth & Jenkins

(57) **CLAIM**

The ornamental design of a window main frame extrusion, as shown and described.

**DESCRIPTION**

FIG. 1 is a perspective view of a window main frame extrusion, showing my new design, with a middle portion broken away to disclose indefinite length; and, FIG. 2 is an end view.

**1 Claim, 1 Drawing Sheet**

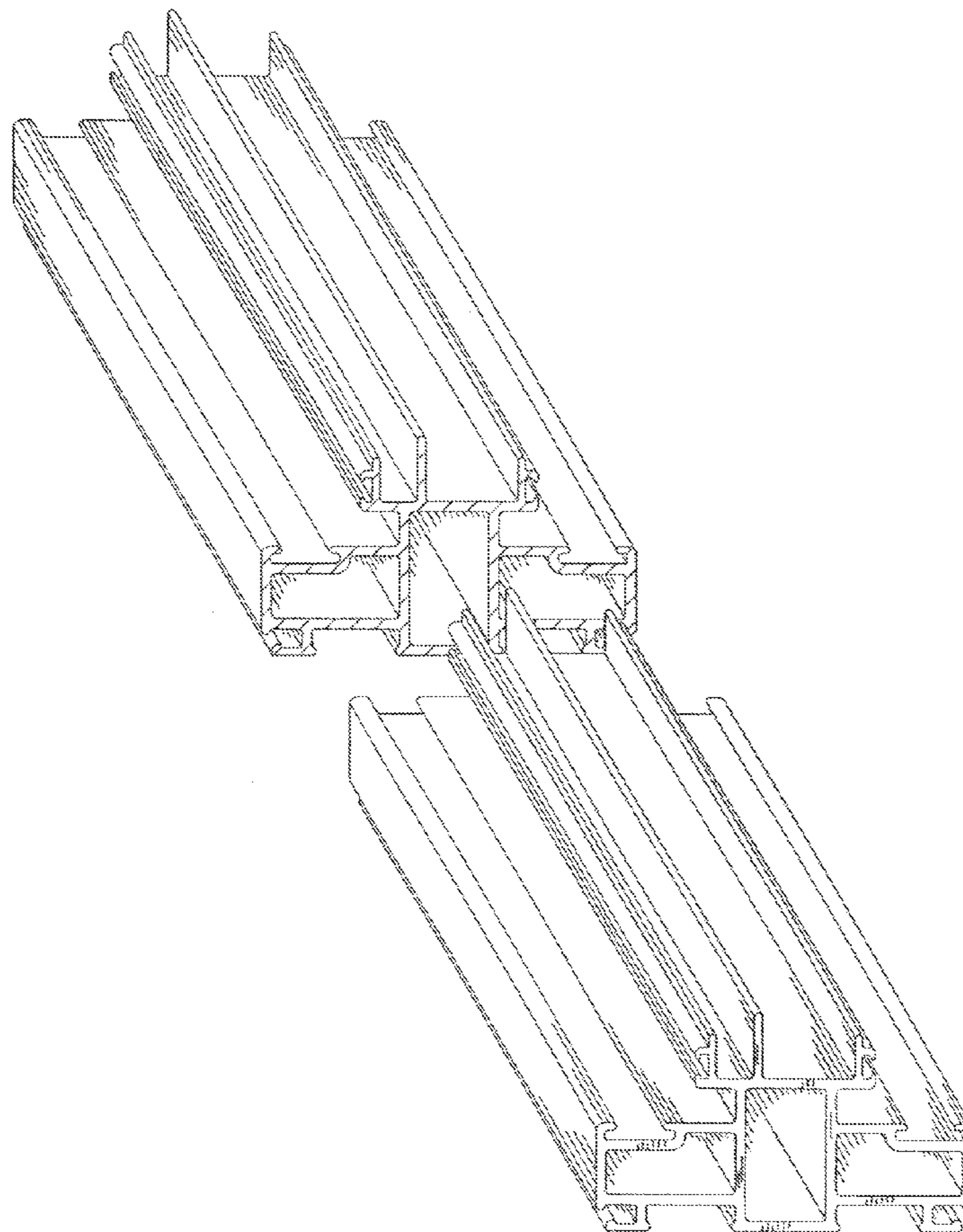


FIG. 1

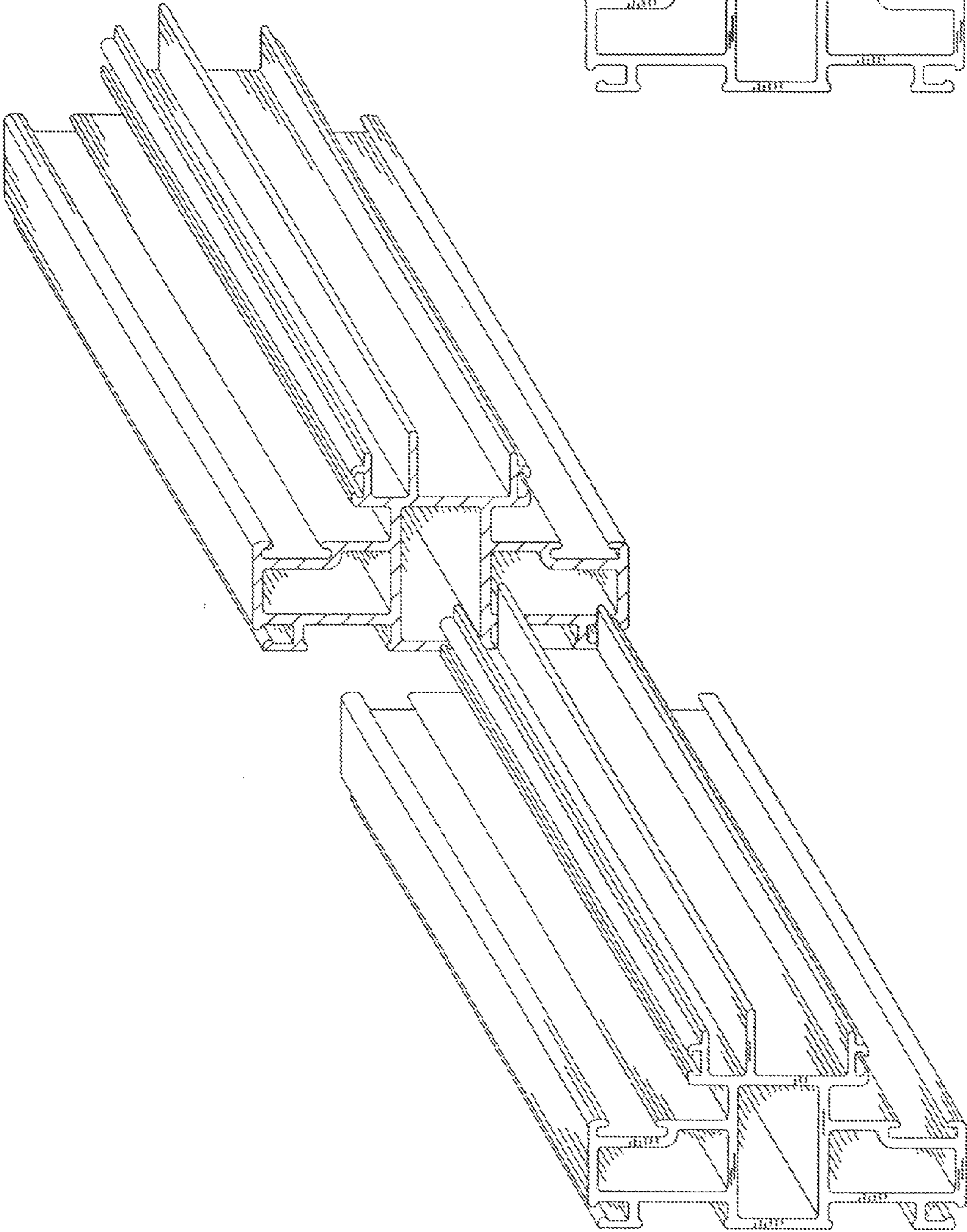


FIG. 2

