



US00D754366S

(12) **United States Design Patent**
Morton

(10) **Patent No.:** **US D754,366 S**

(45) **Date of Patent:** **** Apr. 19, 2016**

(54) **WINDOW SASH FRAME EXTRUSION**

(56) **References Cited**

(71) Applicant: **Deceuninck North America, LLC**,
Monroe, OH (US)

U.S. PATENT DOCUMENTS

(72) Inventor: **Philip G. Morton**, Germantown, OH
(US)

4,640,048 A * 2/1987 Winner E05D 15/22
403/402

(73) Assignee: **Deceunick North America, LLC**,
Monroe, OH (US)

D333,878 S * 3/1993 Cole D25/124
6,330,769 B1 * 12/2001 Manzella E06B 3/58
49/453

D452,743 S * 1/2002 Edger D25/124
2010/0115845 A1 * 5/2010 Lago Palacios E05D 13/1253
49/128

(**) Term: **14 Years**

* cited by examiner

(21) Appl. No.: **29/512,832**

Primary Examiner — Doris Clark

(22) Filed: **Dec. 23, 2014**

(74) *Attorney, Agent, or Firm* — Jacox, Meckstroth &
Jenkins

(51) **LOC (10) Cl.** **25-01**

(57) **CLAIM**

(52) **U.S. Cl.**

The ornamental design of a window sash frame extrusion, as
shown and described.

USPC **D25/124**

DESCRIPTION

(58) **Field of Classification Search**

USPC D25/124

CPC E06B 3/205; E06B 3/224; E06B 3/00;

E06B 3/22; E06B 3/20; E06B 1/16; E06B

1/30; E06B 1/28; E06B 1/40; E05D 15/20;

E05D 15/22

FIG. 1 is a perspective view of a window sash frame extrusion,
showing my new design, with a middle portion broken away
to disclose indefinite length; and,
FIG. 2 is an end view.

See application file for complete search history.

1 Claim, 1 Drawing Sheet

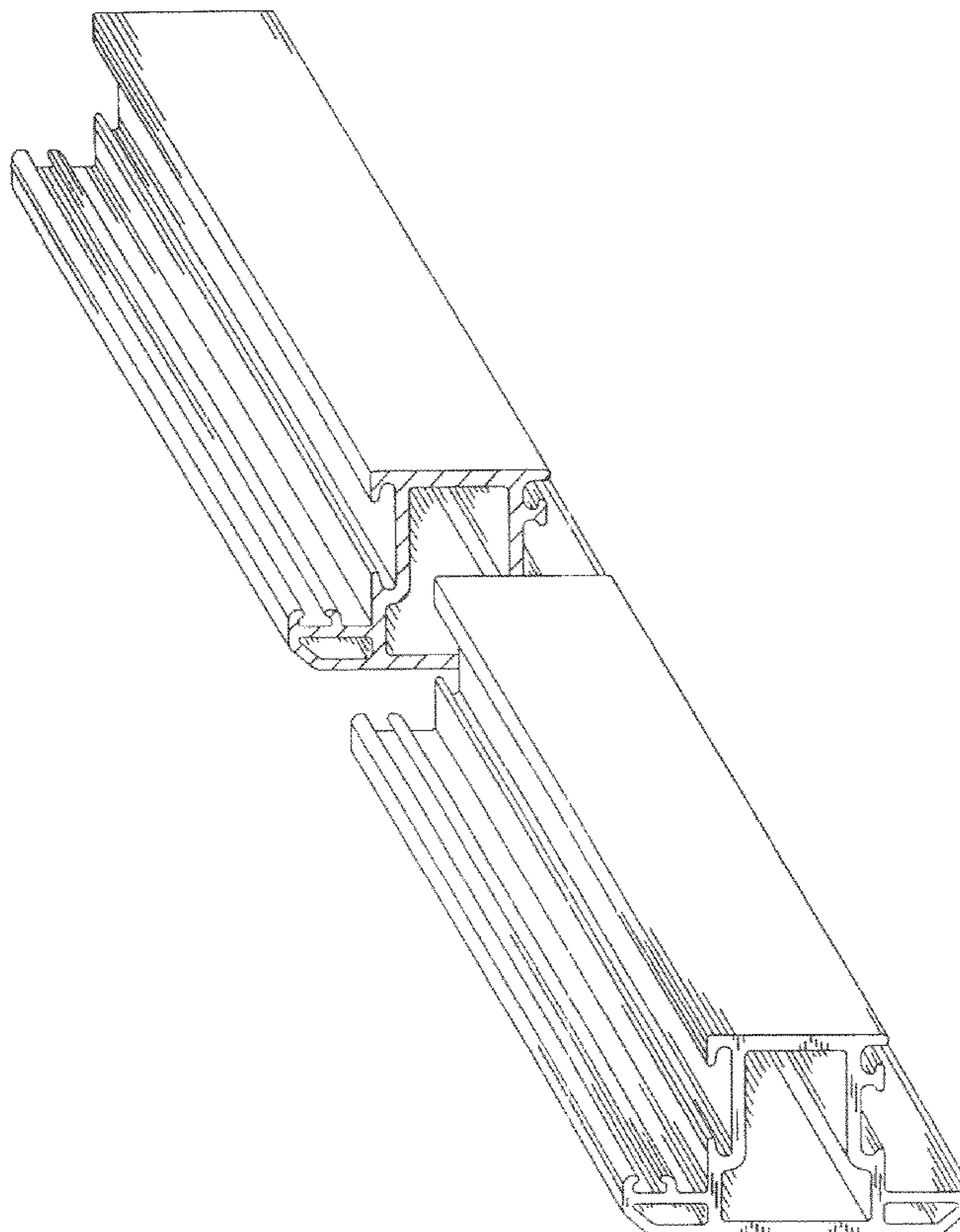


FIG. 1

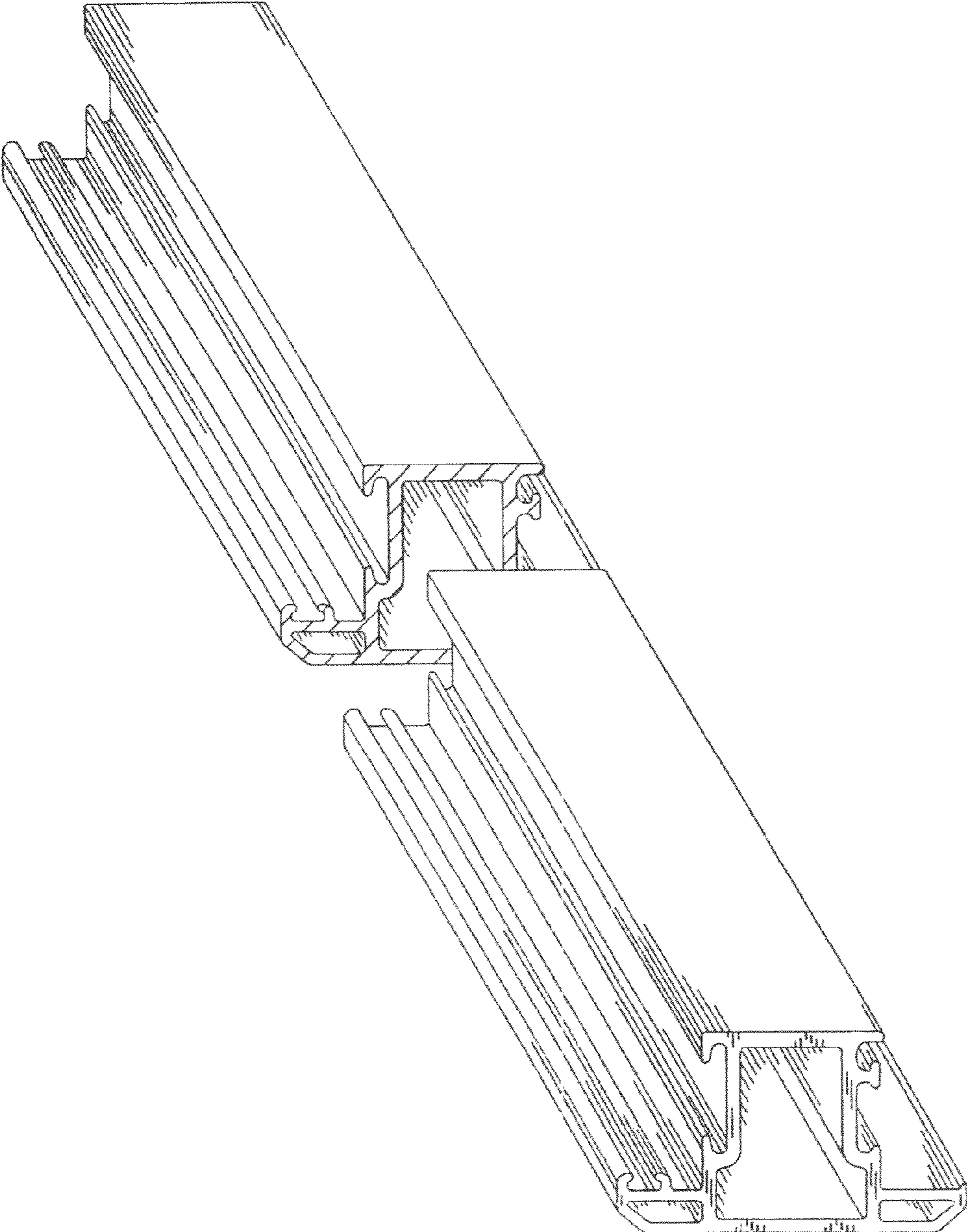


FIG. 2

