



US00D754365S

(12) **United States Design Patent**
Castro et al.

(10) **Patent No.:** **US D754,365 S**
(45) **Date of Patent:** **** Apr. 19, 2016**

(54) **DECKING PANEL**

(71) Applicants: **Troy Castro**, Liphook (GB); **Andrew Oates**, Alton (GB)

(72) Inventors: **Troy Castro**, Liphook (GB); **Andrew Oates**, Alton (GB)

(**) Term: **14 Years**

(21) Appl. No.: **29/496,006**

(22) Filed: **Jul. 8, 2014**

(51) **LOC (10) Cl.** **25-01**

(52) **U.S. Cl.**
USPC **D25/119**

(58) **Field of Classification Search**
USPC D25/138, 152, 157, 163, 119
CPC E04F 15/02172; E04F 15/02183;
E04F 15/02161; E04F 15/02; E04F 15/02038

See application file for complete search history.

(56) **References Cited**

U.S. PATENT DOCUMENTS

6,237,296	B1 *	5/2001	Chang	E04F 15/02 428/537.1
D642,287	S *	7/2011	Poland	D25/119
2005/0208255	A1 *	9/2005	Pervan	B32B 21/02 428/60
2011/0016815	A1 *	1/2011	Yang	E04F 15/02 52/396.04

* cited by examiner

Primary Examiner — Doris Clark
(74) *Attorney, Agent, or Firm* — Ladas & Parry LLP

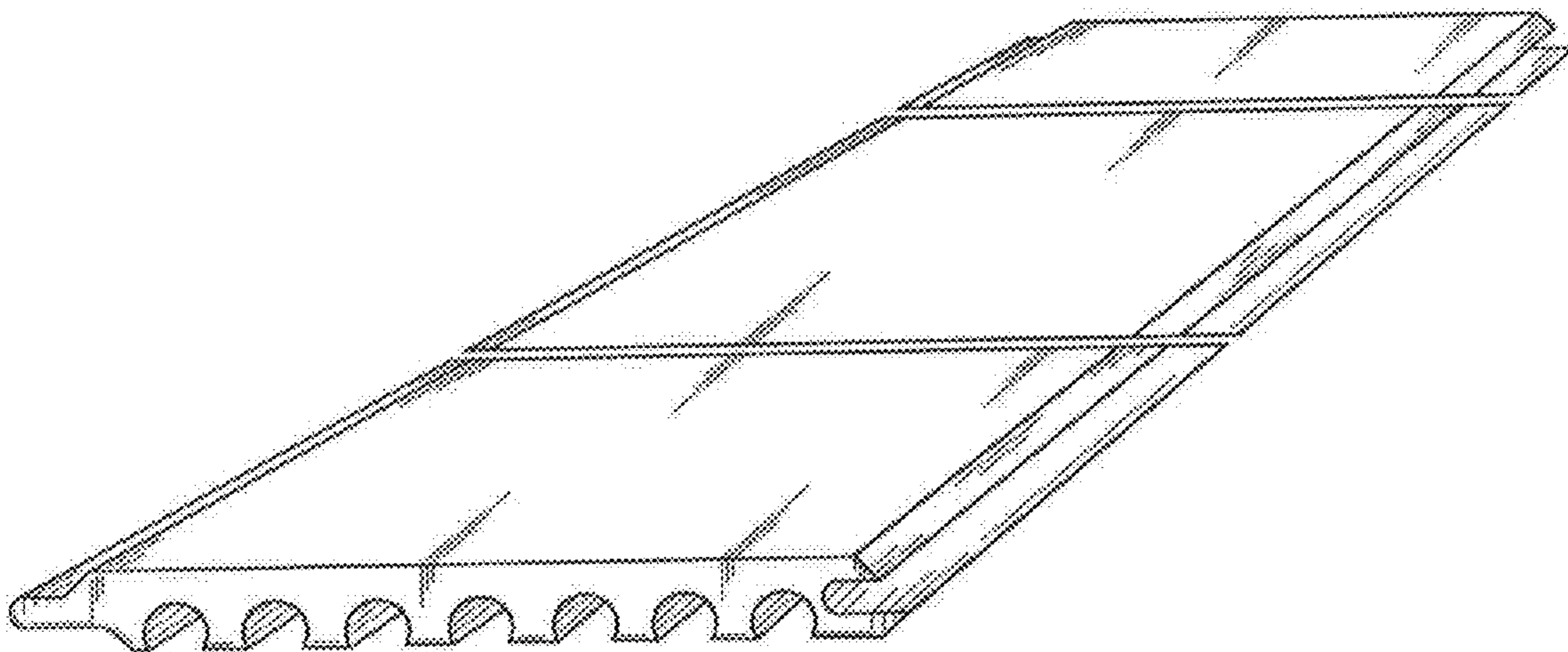
(57) **CLAIM**

The ornamental design for a decking panel, as shown and described.

DESCRIPTION

FIG. 1 is a perspective view from the front, top, and right side of the decking panel embodying our new design; FIG. 2 is an end elevational view thereof, the other end elevational view being a mirror image thereof; FIG. 3 is a right side elevational view thereof; FIG. 4 is a left side elevational view thereof; FIG. 5 is a top plan view thereof; and, FIG. 6 is a bottom plan view thereof. The double spaced parallel lines in the FIGS. 1, 3, 4, 5 and 6 are intended to indicate that the decking component is indefinite in length.

1 Claim, 5 Drawing Sheets



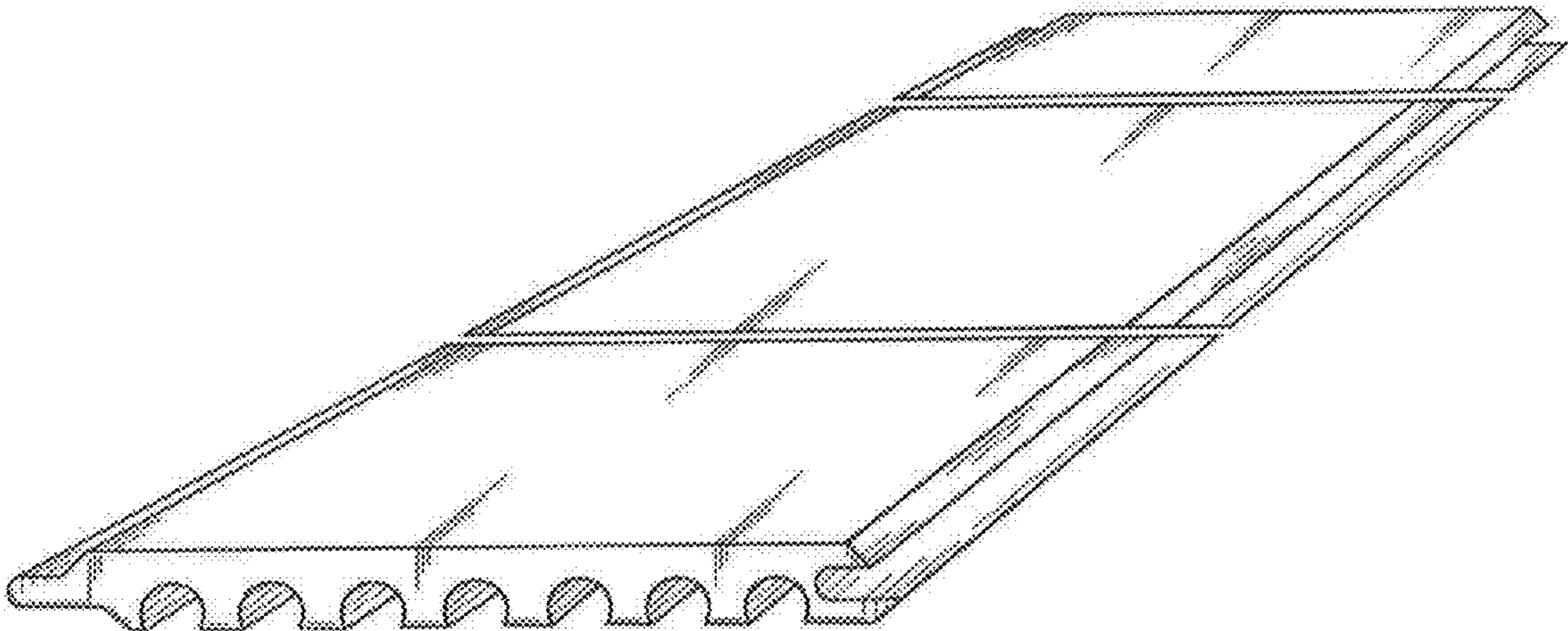


FIG. 1



FIG. 2

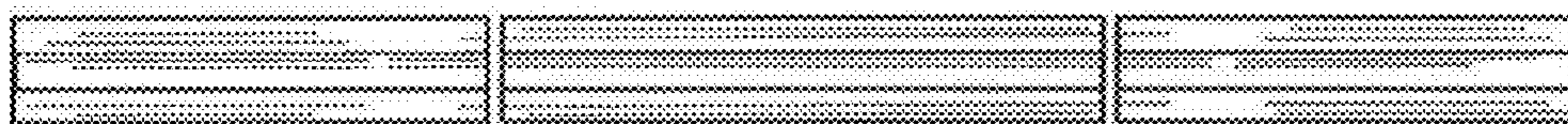


FIG. 3

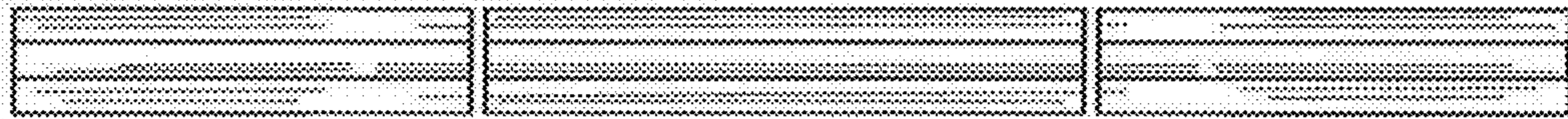


FIG. 4

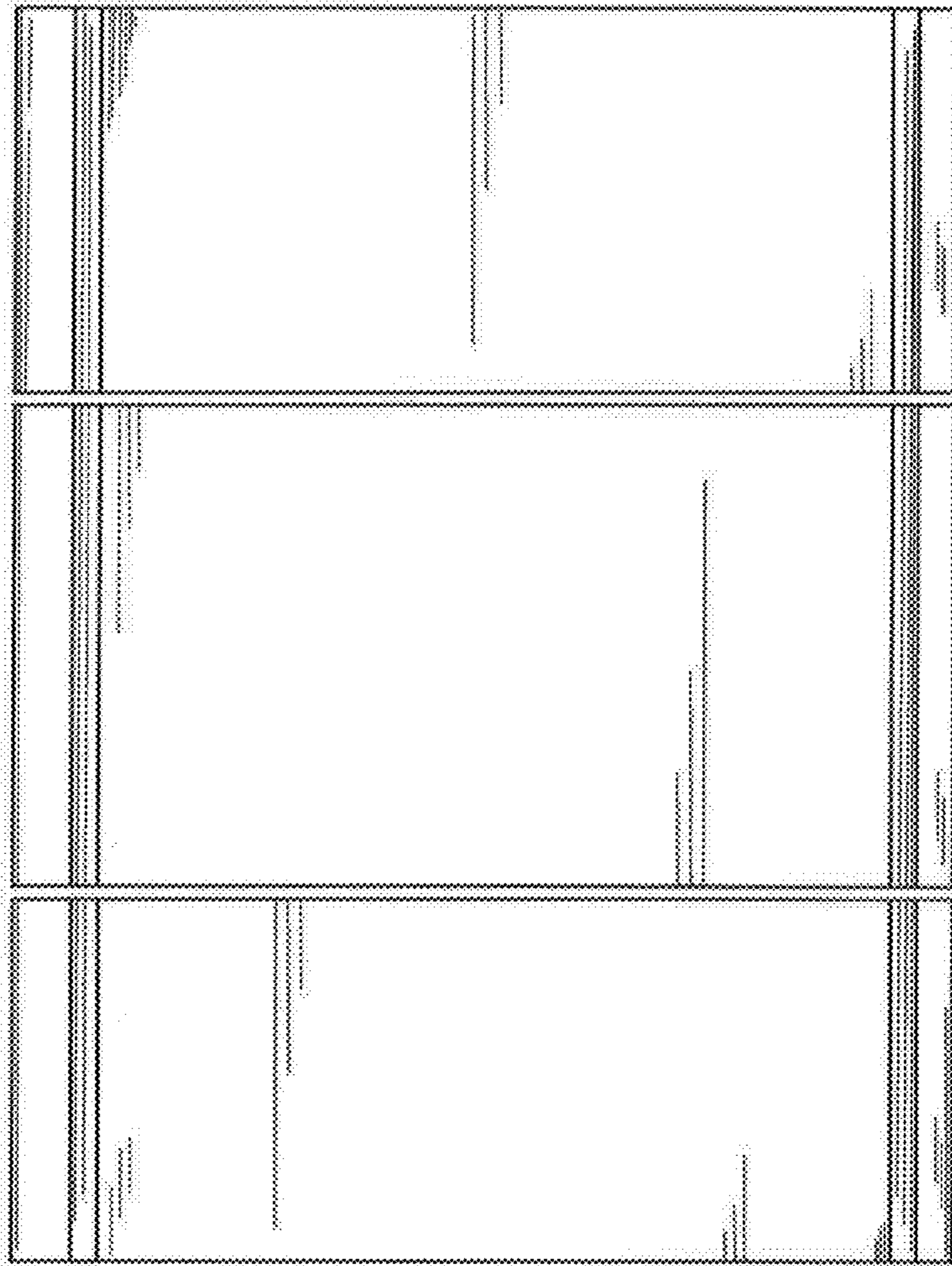


FIG. 5

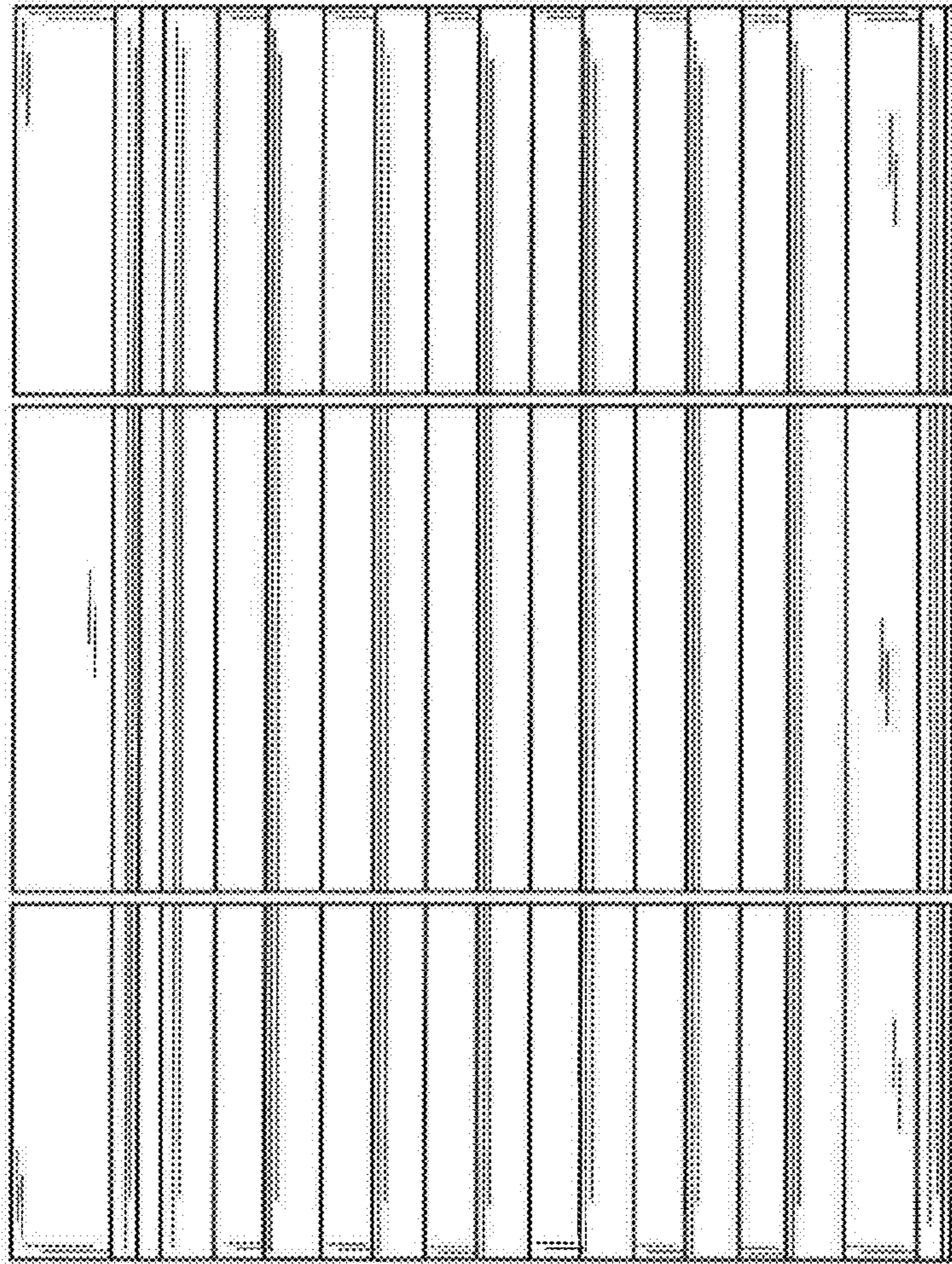


FIG. 6