



US00D754361S

(12) **United States Design Patent**  
**McHale**

(10) **Patent No.:** **US D754,361 S**  
(45) **Date of Patent:** **\*\* \*Apr. 19, 2016**

- (54) **SAMPLE CONTAINER**
- (71) Applicant: **Theranos, Inc.**, Palo Alto, CA (US)
- (72) Inventor: **Patricia McHale**, Palo Alto, CA (US)
- (73) Assignee: **Theranos, Inc.**, Palo Alto, CA (US)
- (\*) Notice: This patent is subject to a terminal disclaimer.
- (\*\*) Term: **14 Years**
- (21) Appl. No.: **29/466,415**
- (22) Filed: **Sep. 6, 2013**
- (51) **LOC (10) Cl.** ..... **24-02**
- (52) **U.S. Cl.**  
USPC ..... **D24/224**
- (58) **Field of Classification Search**  
USPC ..... D24/216, 219, 222–232, 121;  
D3/203.1–203.8; 422/300, 297, 500,  
422/509, 547–566; D9/741, 743;  
211/126.1; 206/443, 446, 528, 438,  
206/557, 562–563, 363–365  
CPC ..... A61L 2/26; B01L 2300/0816; B01L  
3/50825; B01L 3/5021; B01L 3/5082; B01L  
3/5085; B01L 3/505; B01L 9/06; G01N  
35/10; G01N 35/1002; A47F 5/0025; B65D  
85/20; B65D 85/42; B65D 71/72  
See application file for complete search history.

(56) **References Cited**

**U.S. PATENT DOCUMENTS**

- 3,072,362 A \* 1/1963 Allen ..... B65G 51/06  
422/561
- D285,118 S \* 8/1986 Huang ..... D24/226
- D311,876 S \* 11/1990 Kiegami ..... D10/81
- D339,869 S \* 9/1993 Schea, III ..... D24/227
- D342,793 S \* 12/1993 Balmer ..... D24/224
- D344,138 S \* 2/1994 Nagata ..... D24/224
- D345,611 S \* 3/1994 Long ..... D24/226

- D401,700 S \* 11/1998 Gray ..... D24/224
- D501,561 S \* 2/2005 Smith ..... D24/229
- D501,562 S \* 2/2005 Smith ..... D24/230
- D501,679 S \* 2/2005 Smith ..... D24/229
- D501,680 S \* 2/2005 Smith ..... D24/216
- D510,769 S \* 10/2005 Bublewitz ..... D24/224
- D514,705 S \* 2/2006 Bublewitz ..... D24/224
- D519,209 S \* 4/2006 Bublewitz ..... D24/176
- D522,145 S \* 5/2006 Best ..... D10/81
- D544,610 S \* 6/2007 Ouchi ..... D24/224
- D624,194 S \* 9/2010 Pack ..... D24/224
- D657,473 S \* 4/2012 Miyashita ..... D24/224
- D666,736 S \* 9/2012 Kobayashi ..... D24/224
- D688,385 S \* 8/2013 Trump ..... D24/224
- D705,444 S \* 5/2014 D'Argy ..... D24/227
- D709,210 S \* 7/2014 D'Argy ..... D24/227
- 2014/0118733 A1 \* 5/2014 Harward ..... G01N 21/65  
356/301

**OTHER PUBLICATIONS**

Notice of Allowance dated Oct. 7, 2015 for U.S. Appl. No. 29/466,413.

\* cited by examiner

*Primary Examiner* — T. Chase Nelson  
*Assistant Examiner* — Mark Cavanna

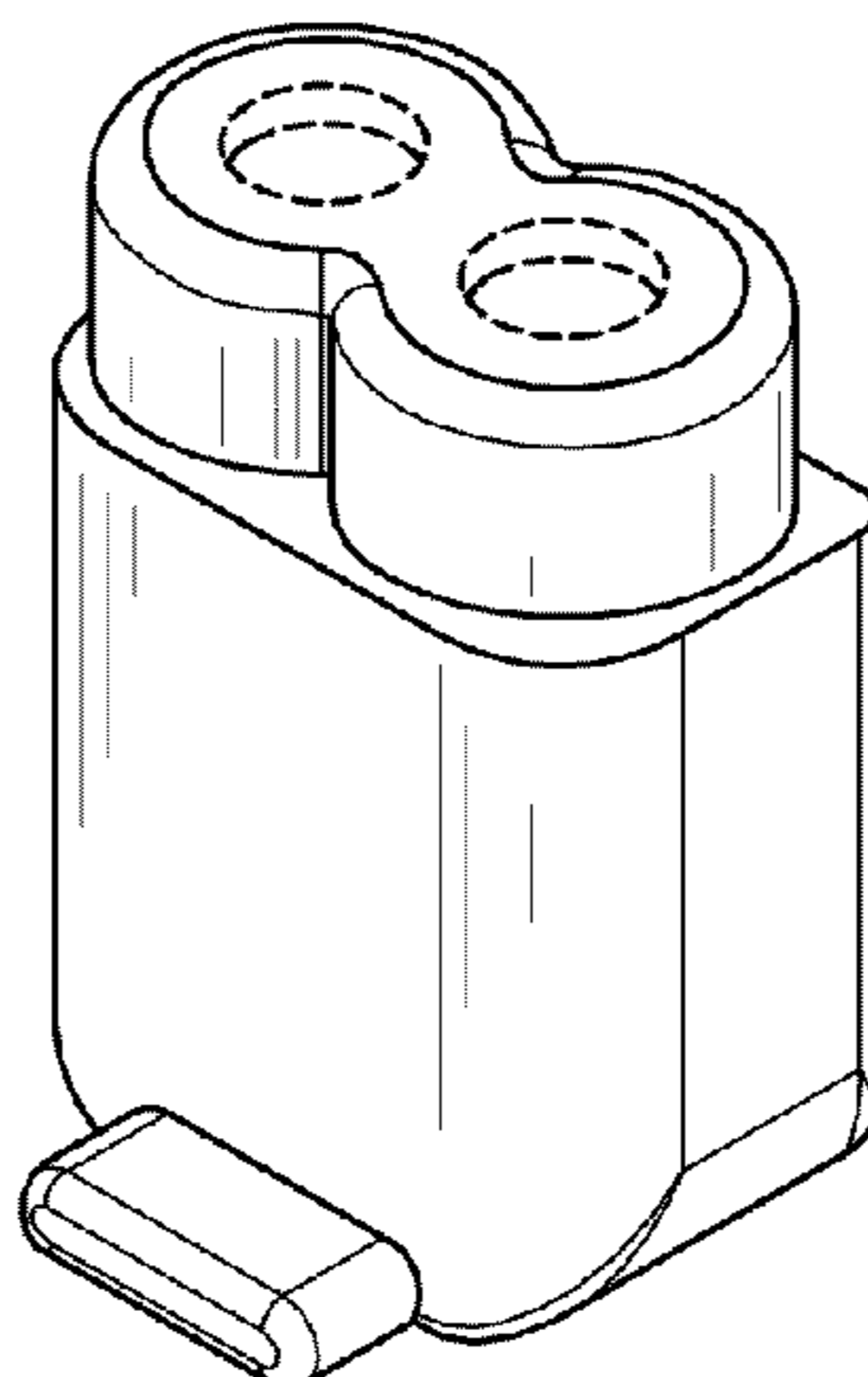
(57) **CLAIM**

The ornamental design for a sample container, as shown and described.

**DESCRIPTION**

FIG. 1 is a front top perspective view of a sample container, showing our new design;  
FIG. 2 is a front view thereof;  
FIG. 3 is a back view thereof;  
FIG. 4 is a side view thereof;  
FIG. 5 is a top view thereof; and,  
FIG. 6 is a bottom view thereof.  
The broken lines are included for the purpose of illustrating portions of the sample container that form no part of the claimed design.

**1 Claim, 2 Drawing Sheets**



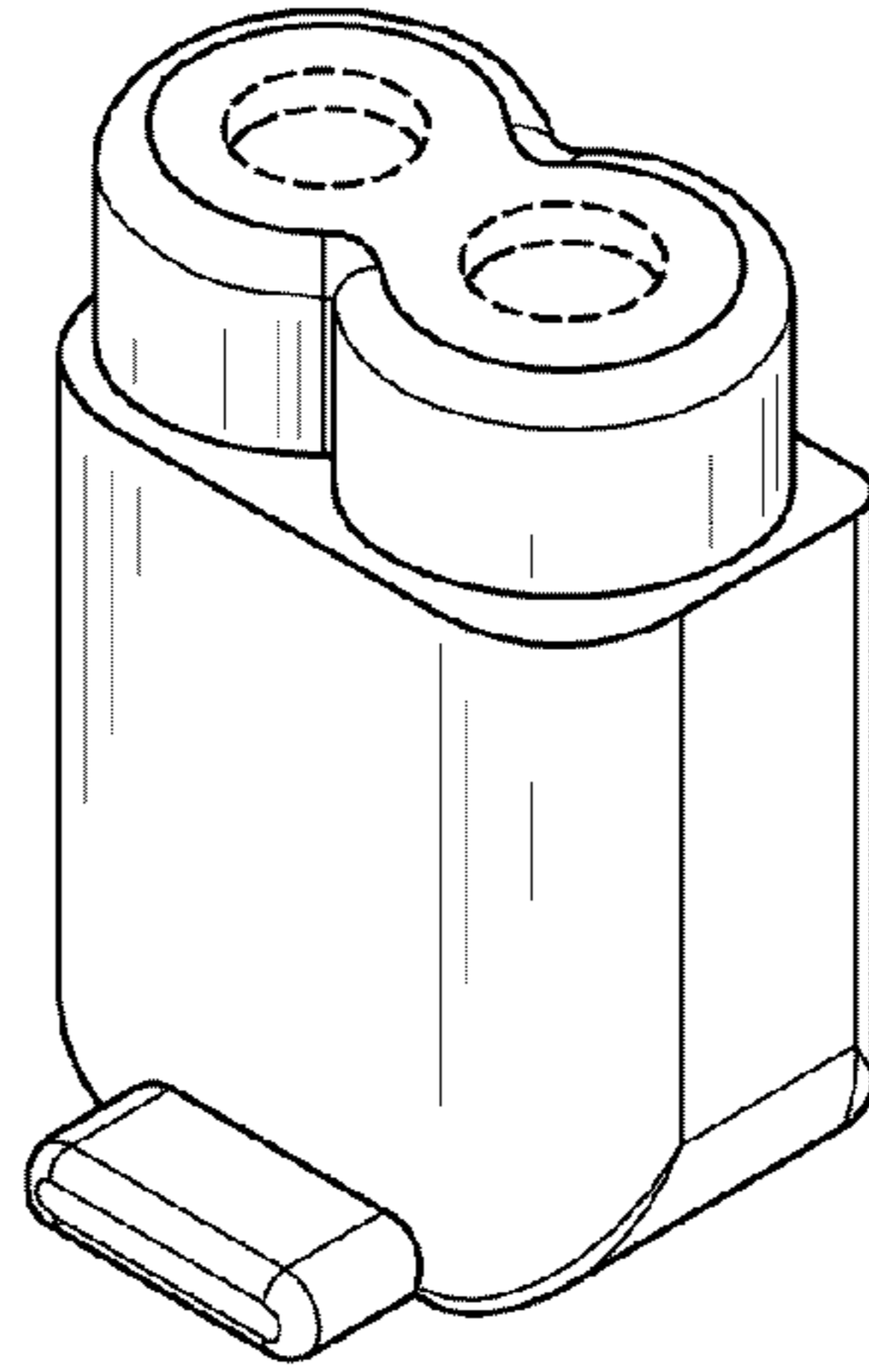


FIG. 1

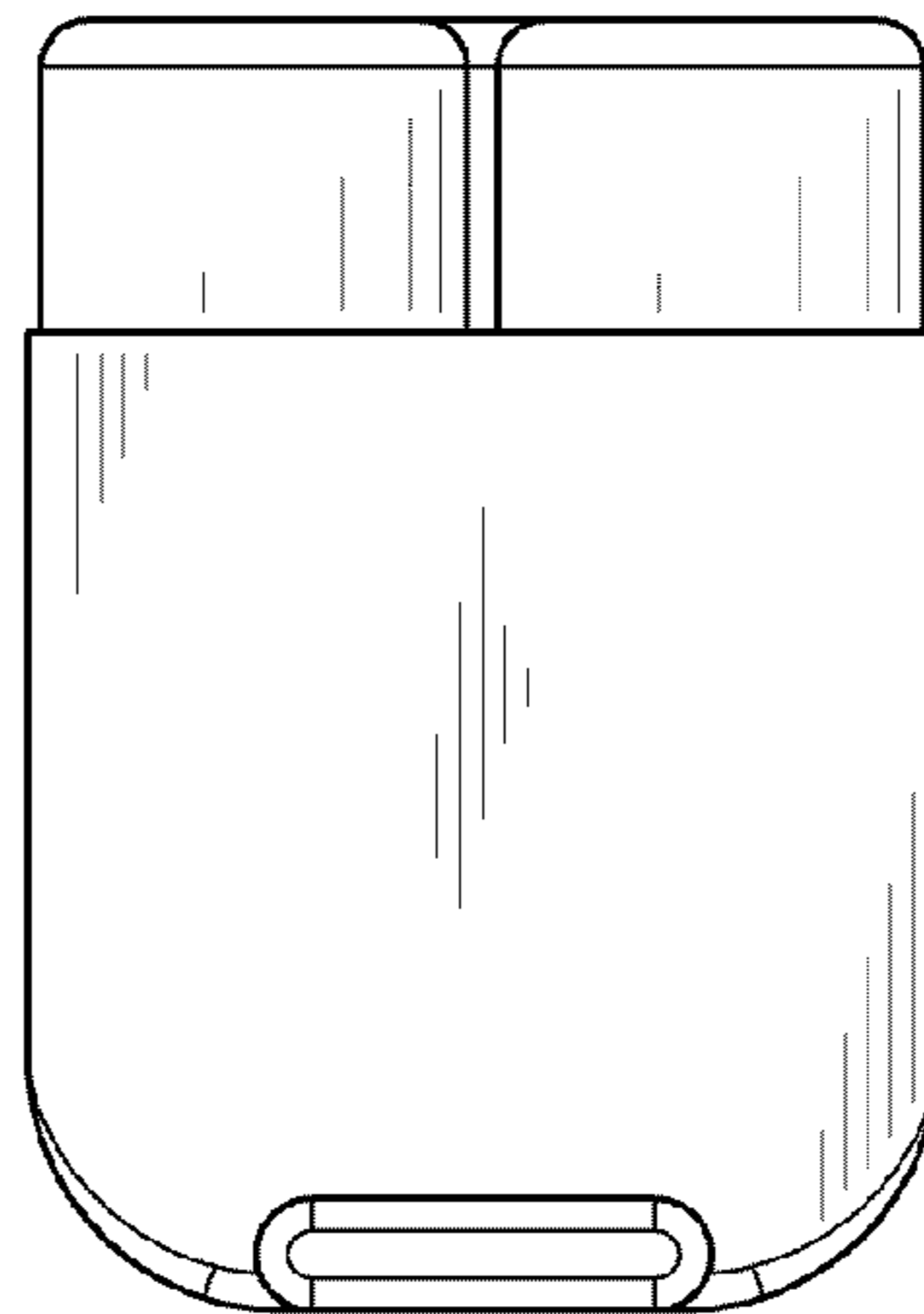


FIG. 2

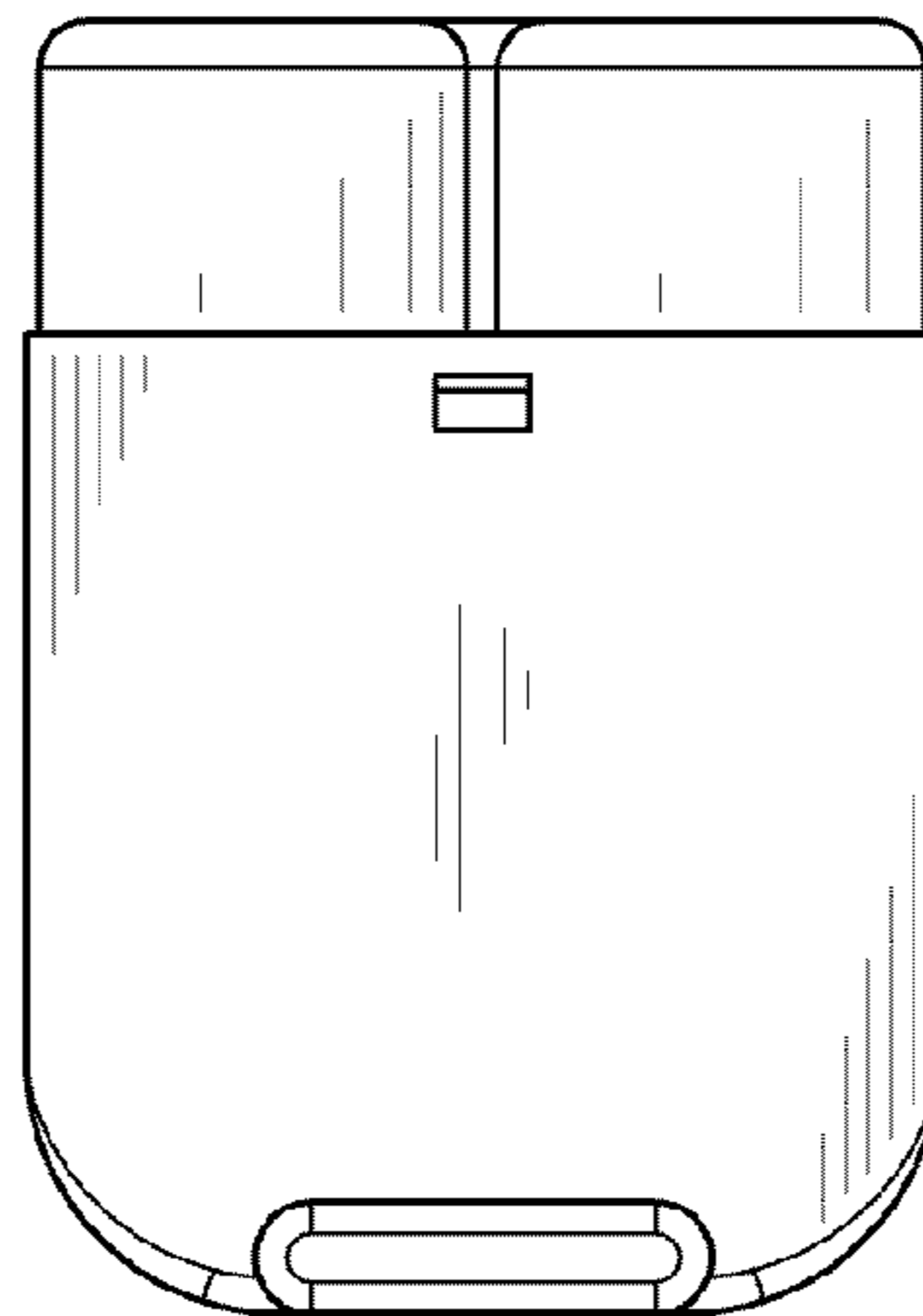
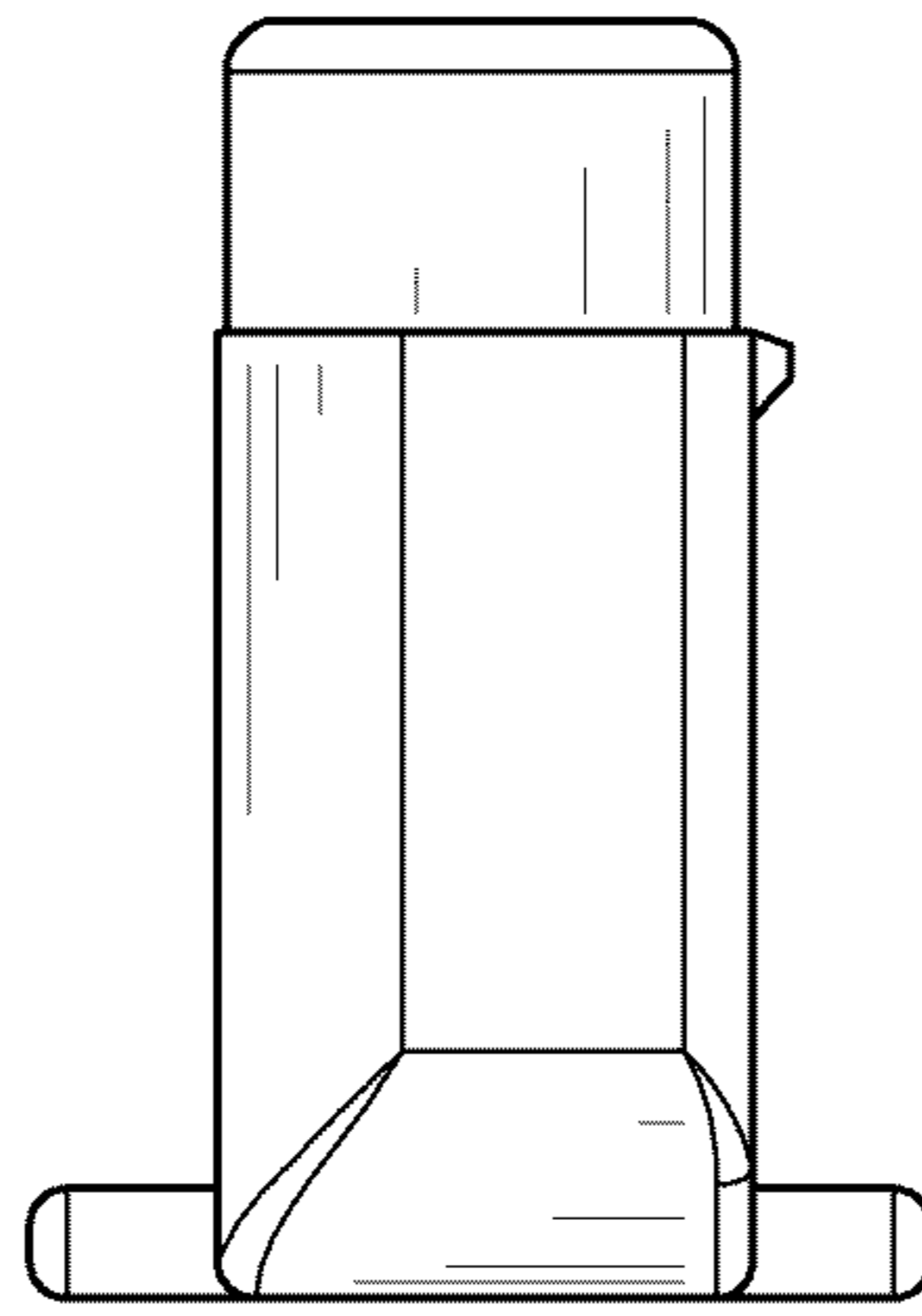
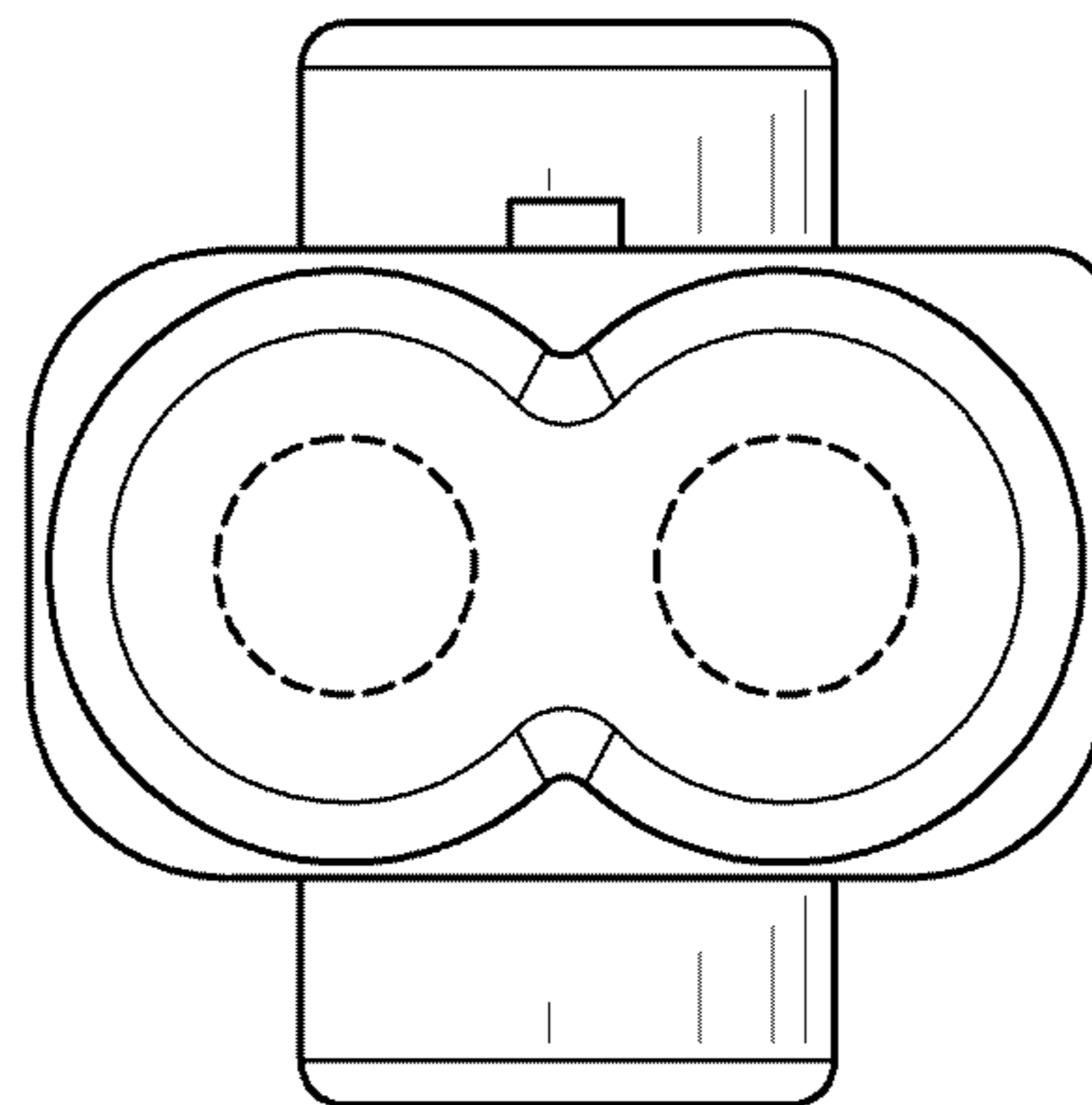


FIG. 3

**FIG. 4**



**FIG. 5**



**FIG. 6**

