



US00D754360S

(12) **United States Design Patent**
Stock

(10) **Patent No.:** **US D754,360 S**

(45) **Date of Patent:** **** Apr. 19, 2016**

(54) **FASCIAL TOOL**

(71) Applicant: **Brant Stock**, West Valley City, UT (US)

(72) Inventor: **Brant Stock**, West Valley City, UT (US)

(**) Term: **14 Years**

(21) Appl. No.: **29/524,363**

(22) Filed: **Apr. 20, 2015**

(51) **LOC (10) Cl.** **28-03**

(52) **U.S. Cl.**
USPC **D24/214**

(58) **Field of Classification Search**

USPC D24/200, 206, 209, 211, 212, 214, 215;
D4/102, 127; D19/103; D21/400;
D8/107, 300, 303, 312, 313, 315;
D30/156
CPC A61H 7/00; A61H 7/001; A61H 7/003;
A61H 7/004; A61H 7/005; A61H 7/007;
A61H 7/008; A61H 15/00; A61H 15/0078;
A61H 15/0085; A61H 2015/0007; A61H
2015/0042; A61H 2015/005; A61H
2015/0071; A61H 39/002; A61H 2201/10;
A61H 15/0092; A61H 2201/0153; A61H
2201/1253; A61H 2205/022; A61H
2015/0014; A61N 1/18; A61N 2007/0034;
A61N 2005/0644; A61N 2005/0662; A61N
5/0616; A61B 18/203; A61B 2018/00452;
A61B 2017/00747; Y10S 601/01; Y10S
601/03; Y10S 601/04; Y10S 601/05; Y10S
601/14; Y10S 601/15

See application file for complete search history.

(56) **References Cited**

U.S. PATENT DOCUMENTS

| | | | | |
|----------------|---------|-----------|-------|-----------------------|
| D223,418 S * | 4/1972 | Hess | | D24/214 |
| D262,490 S * | 12/1981 | Hewitt | | D24/211 |
| D396,295 S * | 7/1998 | Summers | | D24/211 |
| D530,429 S * | 10/2006 | Sevier | | D24/200 |
| D542,926 S * | 5/2007 | Louis | | D24/214 |
| D616,107 S * | 5/2010 | Cochard | | D24/214 |
| D617,908 S * | 6/2010 | Nuenke | | D24/214 |
| D645,568 S * | 9/2011 | Walker | | D24/214 |
| D676,566 S * | 2/2013 | Tucker | | D24/214 |
| D678,539 S * | 3/2013 | Narson | | D24/200 |
| D700,351 S * | 2/2014 | Kojima | | D24/215 |
| 8,801,642 B1 * | 8/2014 | Slominski | | A61H 7/001 601/134 |
| RE45,657 E * | 8/2015 | Cho | | D24/215 |

* cited by examiner

Primary Examiner — Catheri Oliver-Garcia

Assistant Examiner — Rebekah Caruso

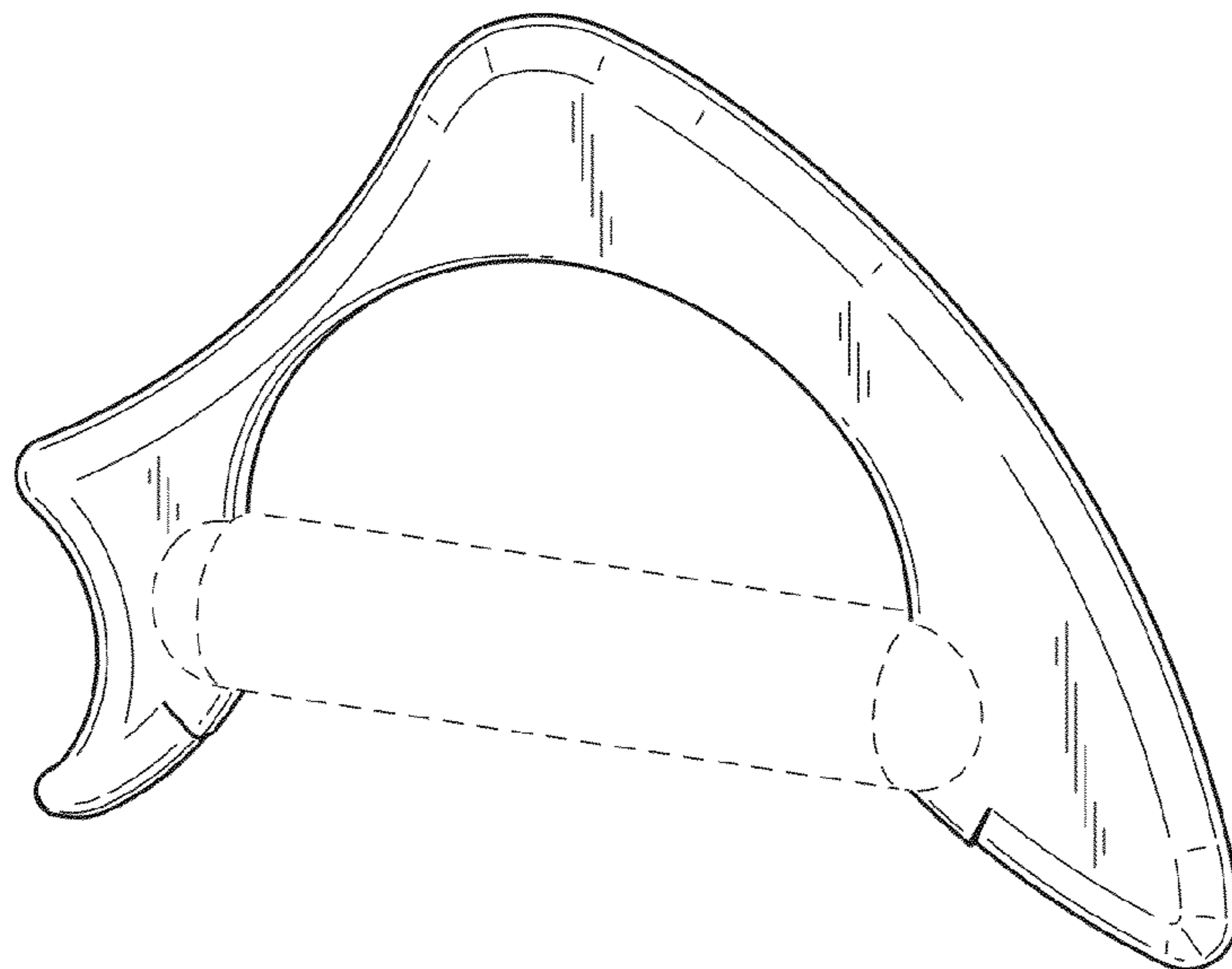
(57) **CLAIM**

The ornamental design for a fascial tool, as shown and described.

DESCRIPTION

FIG. 1 is a front perspective view of a fascial tool;
FIG. 2 is a front elevation view thereof, the rear elevation view being a mirror image thereof;
FIG. 3 is a left side elevation view thereof;
FIG. 4 is a right side elevation view thereof;
FIG. 5 is a top plan view thereof;
FIG. 6 is a bottom plan view thereof; and,
FIG. 7 is a front perspective view thereof, shown in use.
The broken lines shown in FIGS. 1-6 illustrate portions of the fascial tool that form no part of the claimed design. The broken lines shown in FIG. 7 illustrate environmental subject matter as well as portions of the fascial tool that form no part of the claimed design.

1 Claim, 3 Drawing Sheets



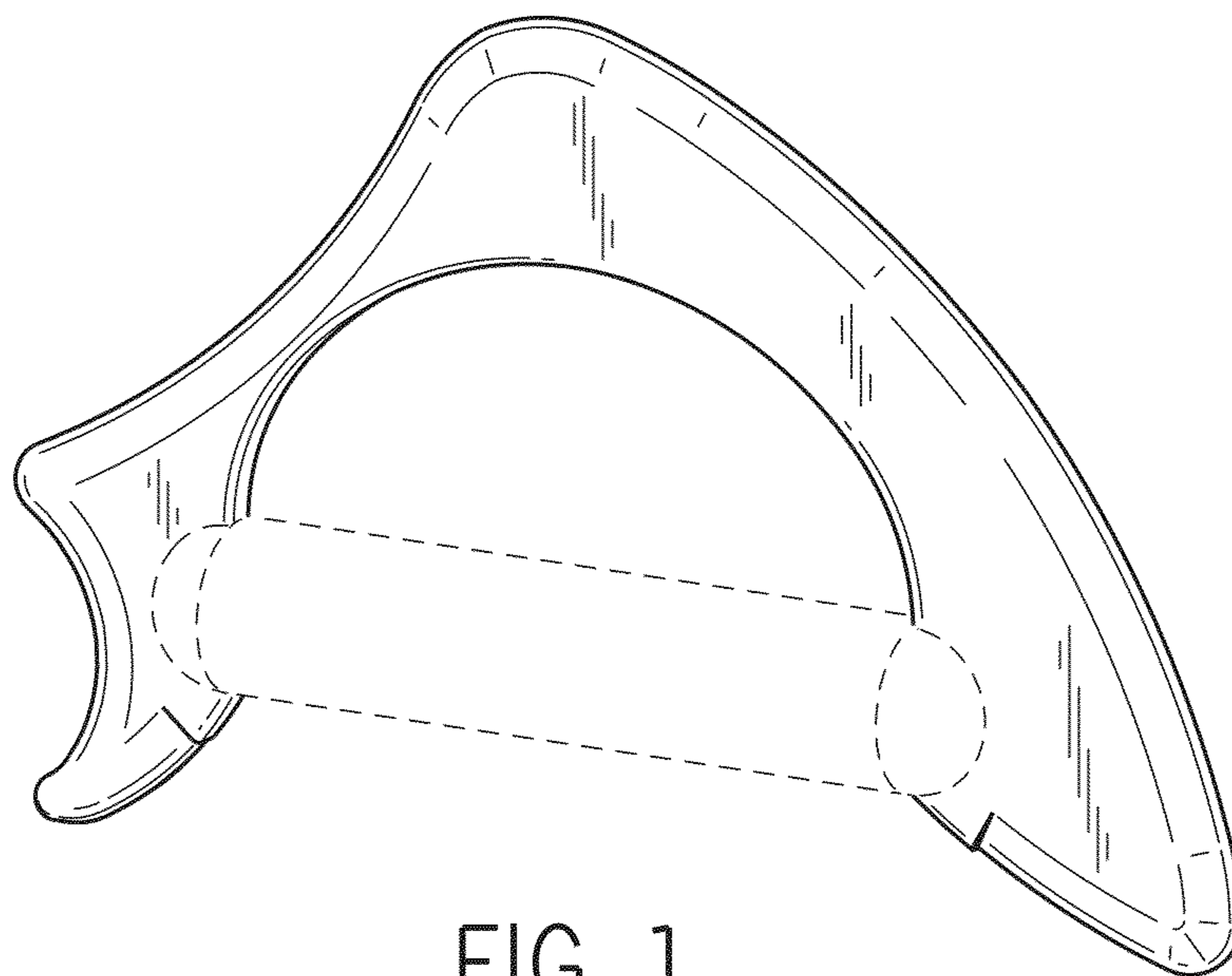


FIG. 1

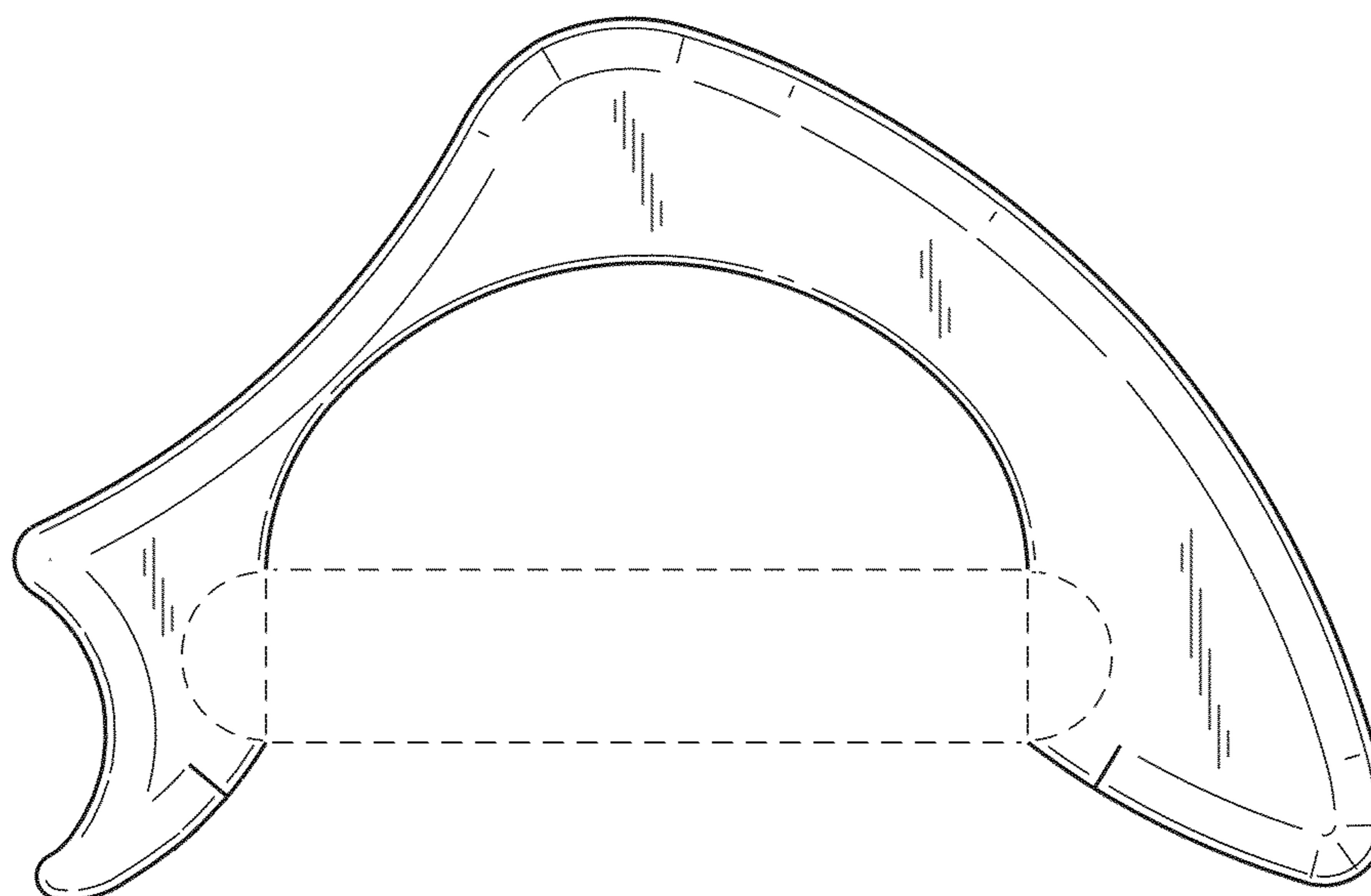


FIG. 2

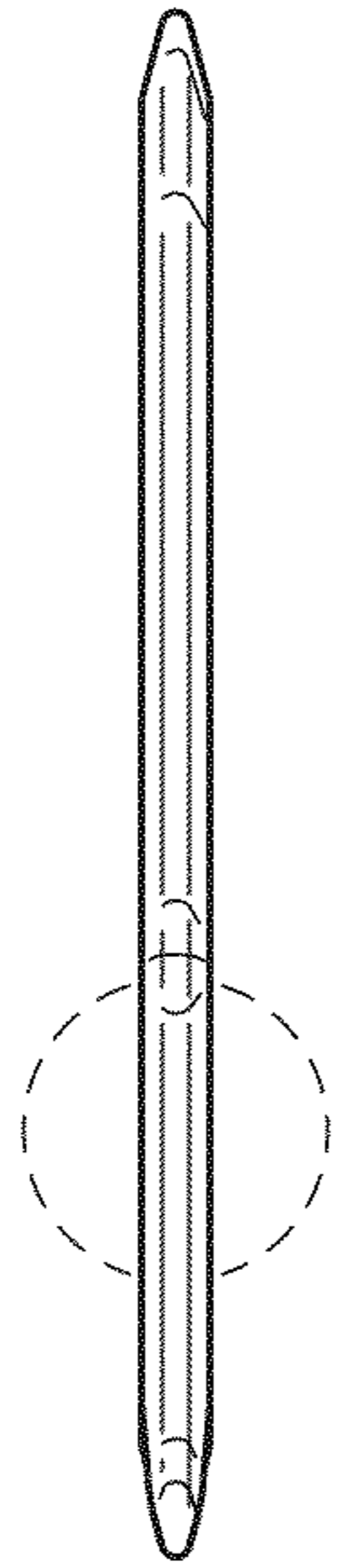


FIG. 3

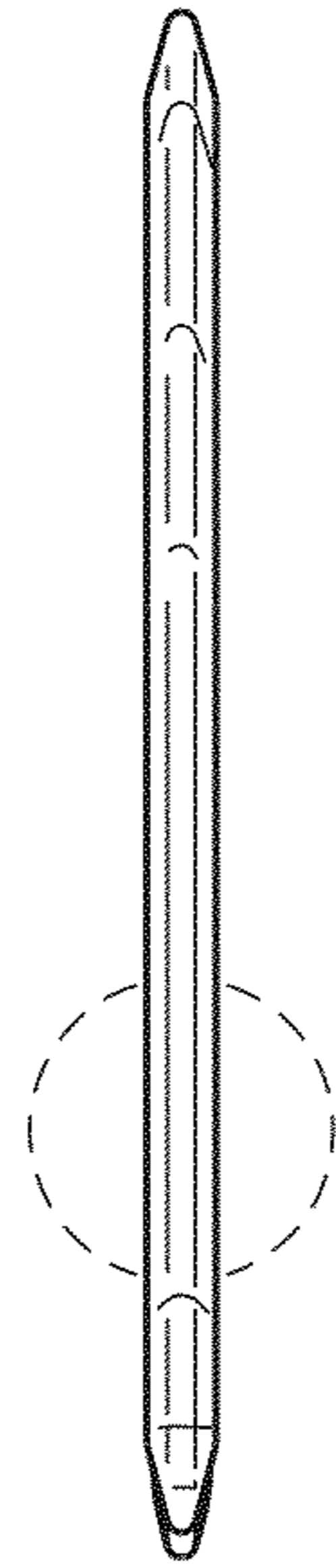


FIG. 4

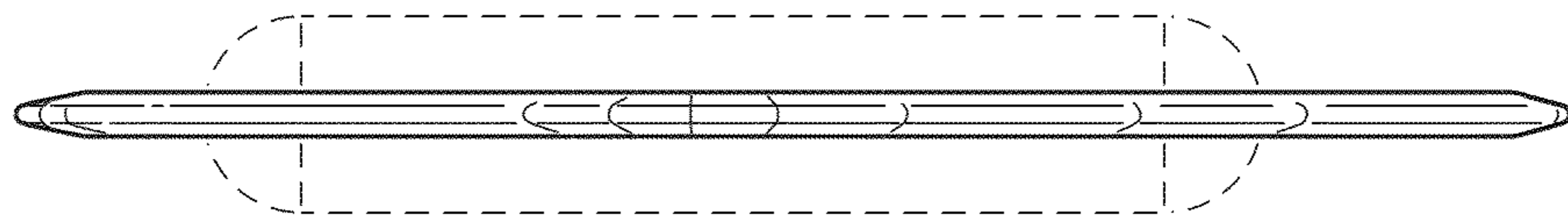


FIG. 5



FIG. 6

