



US00D754355S

(12) **United States Design Patent**
Ganapathy et al.

(10) **Patent No.:** **US D754,355 S**
(45) **Date of Patent:** **** Apr. 19, 2016**

(54) **TRANSCUTANEOUS ELECTRICAL NERVE STIMULATION (TENS) DEVICE**

(71) Applicant: **Neurometrix, Inc.**, Waltham, MA (US)

(72) Inventors: **Pratap Ganapathy**, Boston, MA (US); **Tim Proulx**, Nashua, NH (US); **Gregory Wolos**, Cambridge, MA (US); **Jeffrey S. Mekler**, Cambridge, MA (US); **Shai N. Gozani**, Brookline, MA (US); **Bonniejean Boettcher**, Maynard, MA (US); **Marc Cryan**, Maynard, MA (US); **Michael L. Williams**, Melrose, MA (US); **Glenn Herb**, Weston, MA (US); **Jose Colucci, Jr.**, Lexington, MA (US); **L. Joy Somogyi**, Cambridge, MA (US); **Michael J. MacDonald**, Hingham, MA (US)

(**) Term: **14 Years**

(21) Appl. No.: **29/498,035**

(22) Filed: **Jul. 30, 2014**

(51) **LOC (10) Cl.** **24-02**

(52) **U.S. Cl.**
USPC **D24/186; D24/200**

(58) **Field of Classification Search**
USPC D24/165–168, 186, 187, 107, 200;
D10/70, 75, 97, 98; 600/384, 391, 393,
600/500, 503; 607/48; D11/3, 4
CPC A61N 1/04; A61N 1/08; A61N 1/0456
See application file for complete search history.

(56) **References Cited**

U.S. PATENT DOCUMENTS

6,132,387 A * 10/2000 Gozani A61B 5/0488
600/554
D443,362 S * 6/2001 Storp D24/165

D547,454 S * 7/2007 Hsieh D24/186
D677,792 S * 3/2013 Vandiver D24/167
D687,951 S * 8/2013 Della Torre D24/167
D712,052 S * 8/2014 Thomas D24/200
D716,457 S * 10/2014 Brefka D24/186
D735,873 S * 8/2015 Brefka D24/200
2011/0066209 A1 * 3/2011 Bodlaender A61N 1/36021
607/46
2013/0158627 A1 * 6/2013 Gozani A61N 1/0456
607/46
2014/0221797 A1 * 8/2014 Bailey A61B 5/0002
600/324
2014/0309709 A1 * 10/2014 Gozani A61N 1/36021
607/46

* cited by examiner

Primary Examiner — Anhdao Doan

(74) *Attorney, Agent, or Firm* — Pandiscio & Pandiscio

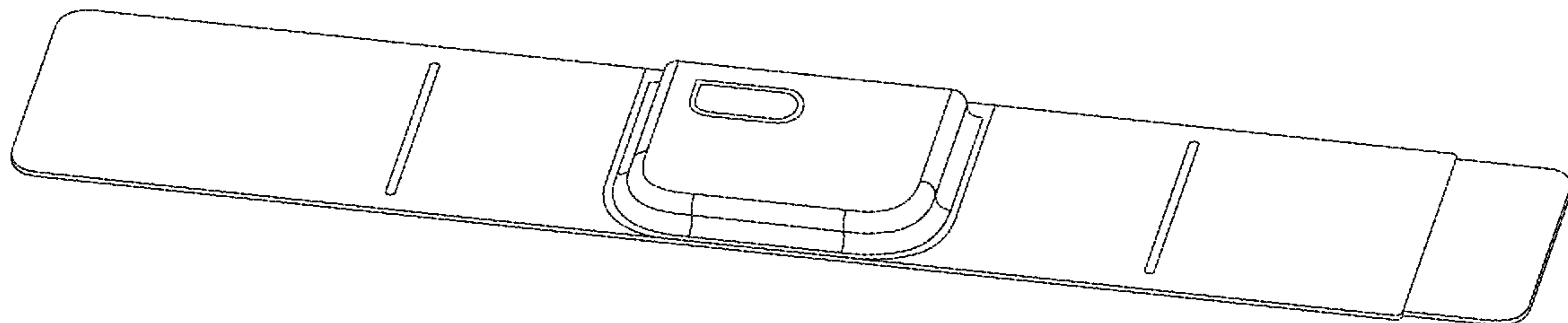
(57) **CLAIM**

The ornamental design for a transcutaneous electrical nerve stimulation (TENS) device, as shown and described.

DESCRIPTION

FIG. 1 is a top, right perspective view of a transcutaneous electrical nerve stimulation (TENS) device;
FIG. 2 is a top, left perspective view thereof;
FIG. 3 is a front perspective view thereof;
FIG. 4 is a rear perspective view thereof;
FIG. 5 is a front view thereof;
FIG. 6 is a rear view thereof;
FIG. 7 is a right side view thereof;
FIG. 8 is a left side view thereof;
FIG. 9 is a top view thereof;
FIG. 10 is a bottom view thereof;
FIG. 11 is a bottom, right perspective view thereof; and,
FIG. 12 is a bottom, left perspective view thereof.

1 Claim, 12 Drawing Sheets



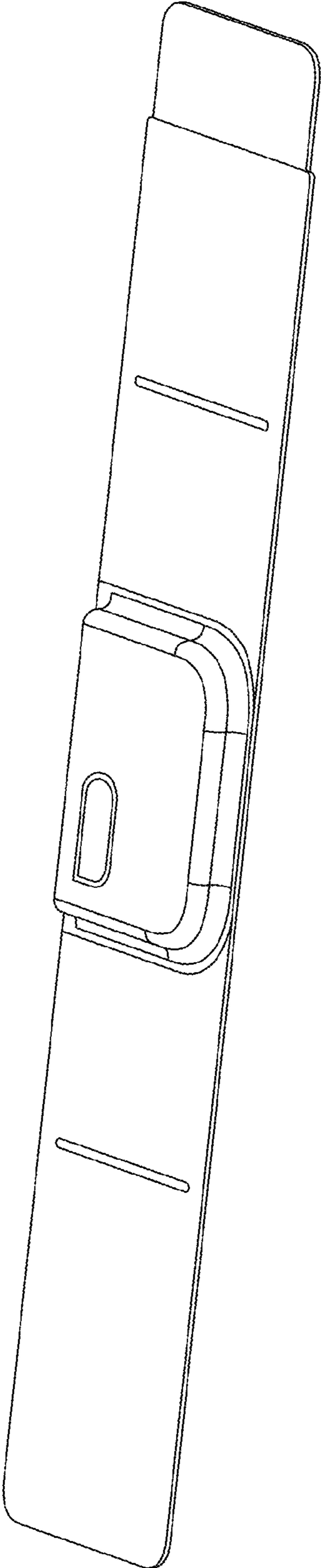


FIG. 1

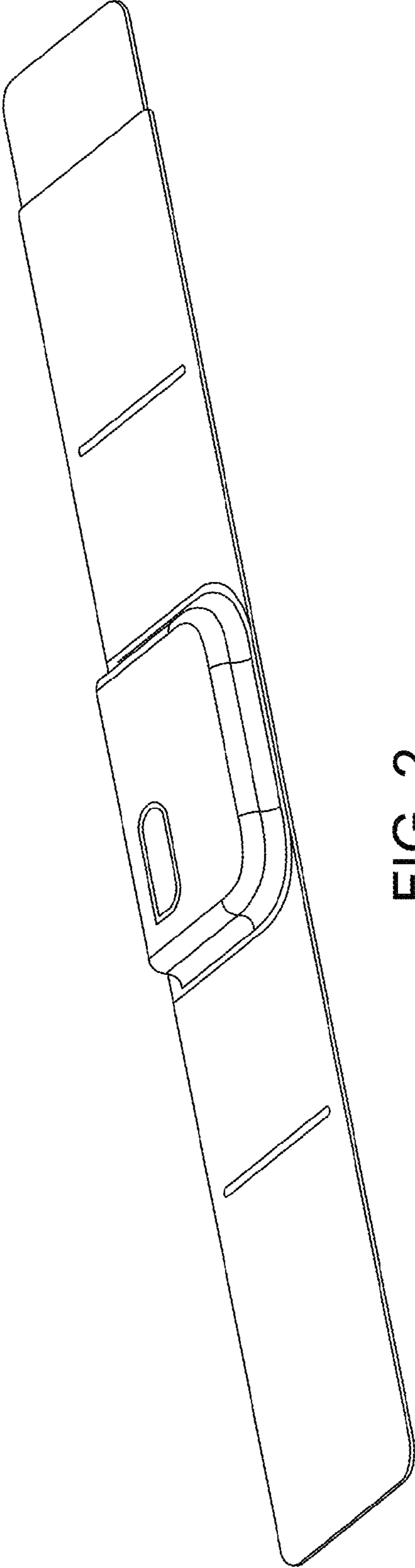


FIG. 2

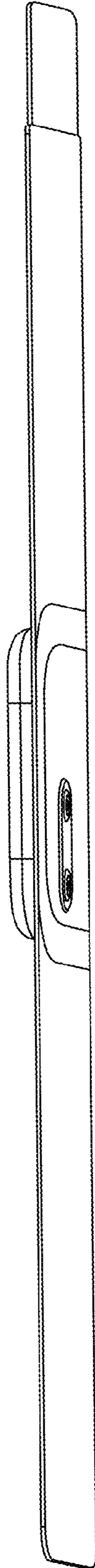


FIG. 3

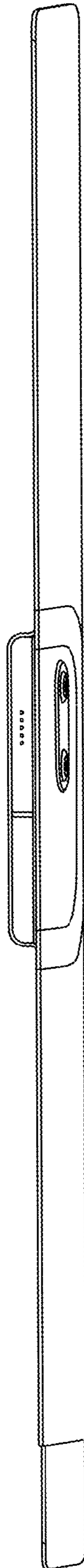


FIG. 4



FIG. 5

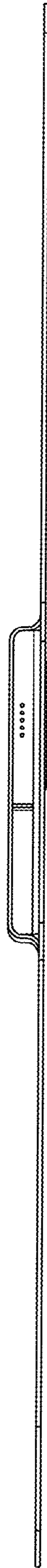


FIG. 6

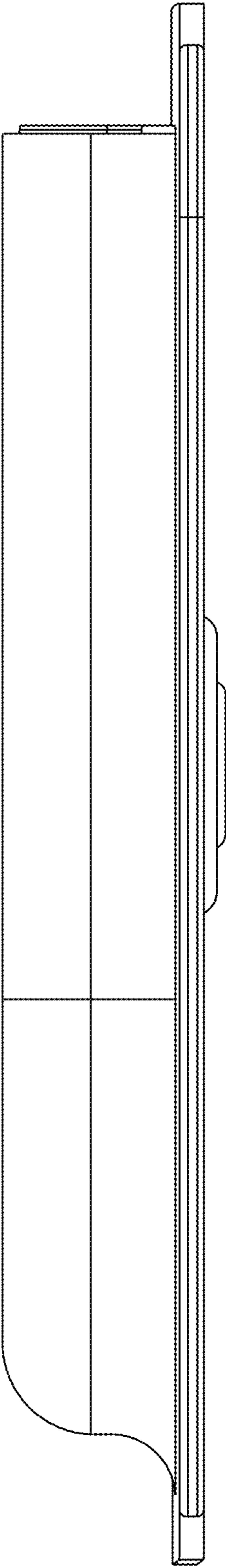


FIG. 7

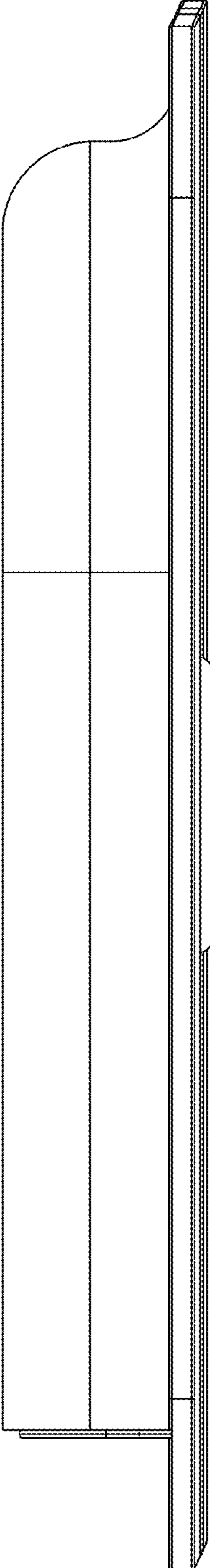


FIG. 8

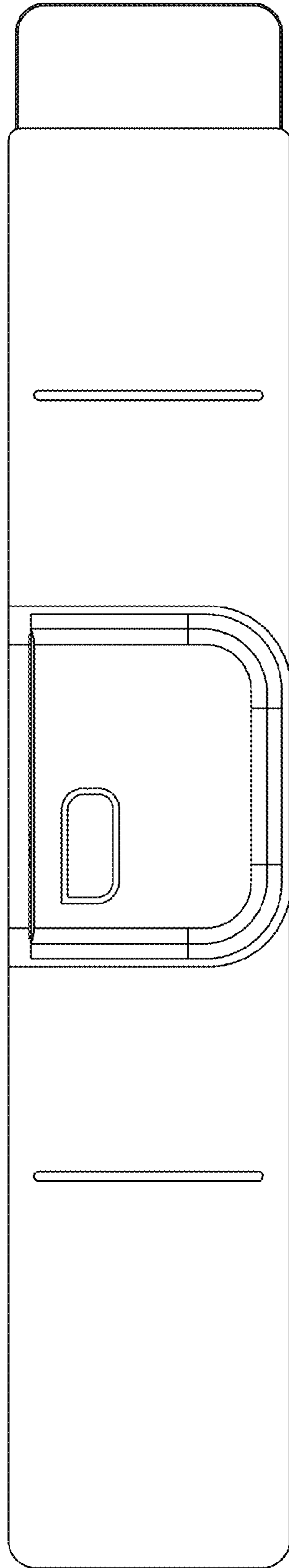


FIG. 9

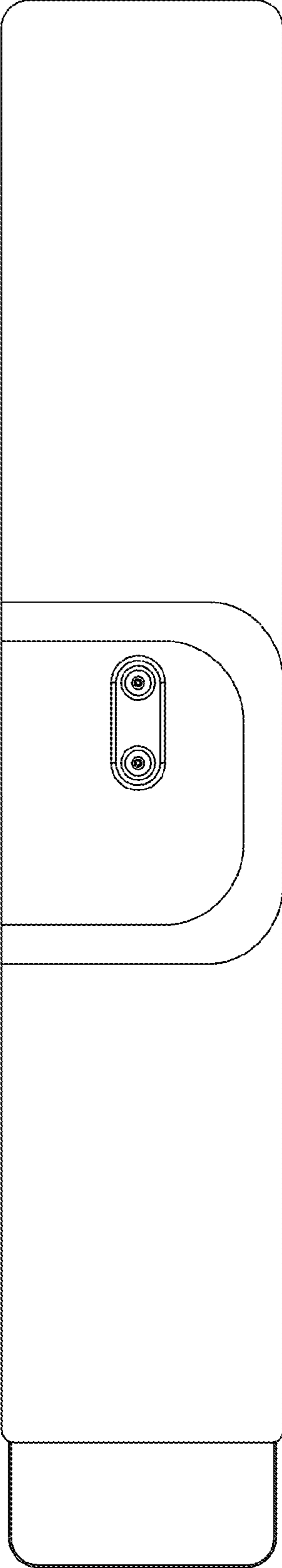


FIG. 10

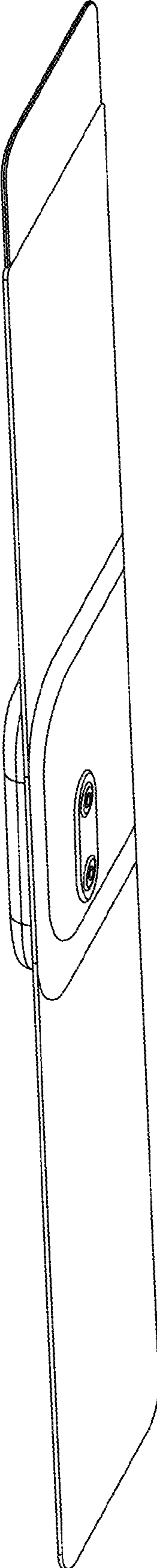


FIG. 11

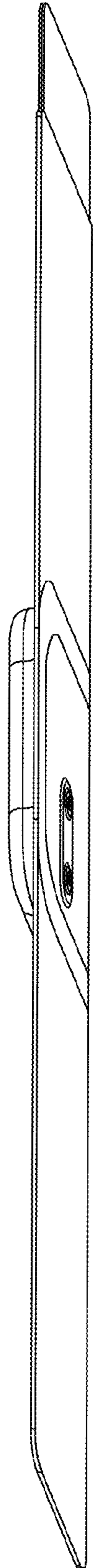


FIG. 12