

US00D754353S

(12) **United States Design Patent**
Pileski et al.

(10) **Patent No.:** **US D754,353 S**
(45) **Date of Patent:** **** Apr. 19, 2016**

(54) **MEDICAL DEVICE**

(71) Applicant: **Welch Allyn, Inc.**, Skaneateles Falls, NY (US)

(72) Inventors: **Michael J. Pileski**, Skaneateles, NY (US); **Donwoong Kang**, Camillus, NY (US); **Jonathan A. Fitch**, Syracuse, NY (US); **Scott W. Osiecki**, Skaneateles, NY (US); **Alan S. Knieriem**, Baldwinsville, NY (US); **Eric M. Andreassen**, Syracuse, NY (US); **Shawn C. St. Pierre**, Syracuse, NY (US)

(73) Assignee: **WELCH ALLYN, INC.**, Skaneateles Falls, NY (US)

(**) Term: **14 Years**

(21) Appl. No.: **29/501,551**

(22) Filed: **Sep. 5, 2014**

(51) **LOC (10) Cl.** **24-00**

(52) **U.S. Cl.**
USPC **D24/183**

(58) **Field of Classification Search**
USPC D24/183, 185, 164, 204, 158, 111, 172, D24/213; D34/14, 23; 280/47.35; D13/163; 307/25; 206/703
CPC B62B 3/02; B65D 2585/88; G01K 7/021
See application file for complete search history.

(56) **References Cited**

U.S. PATENT DOCUMENTS

D434,142 S	*	11/2000	Cheney et al.	D24/111
D446,854 S	*	8/2001	Cheney et al.	D24/111
D467,001 S	*	12/2002	Buczek et al.	D24/172
D532,953 S	*	11/2006	Lauer et al.	D34/23
D568,258 S	*	5/2008	Adam	D13/163
D588,272 S	*	3/2009	Meiser	D24/185
D615,208 S	*	5/2010	Keffeler et al.	D24/185
D620,121 S	*	7/2010	Moscovita et al.	D24/185
D626,239 S	*	10/2010	Lia et al.	D24/185

D637,782 S	*	5/2011	Steffens	D34/14
D650,084 S	*	12/2011	Tran	D24/204
D652,931 S	*	1/2012	Petteway	D24/164
D652,932 S	*	1/2012	Petteway	D24/164
8,210,548 B1	*	7/2012	Agyemang	280/47.35
D696,783 S	*	12/2013	Chung et al.	D24/185
D702,842 S	*	4/2014	Hyde et al.	D24/185
D709,202 S	*	7/2014	Lamoureux	D24/185
D720,854 S	*	1/2015	Kim	D24/158
2004/0262867 A1	*	12/2004	Arceta et al.	280/47.35
2009/0321303 A1	*	12/2009	Kang et al.	206/703
2014/0167506 A1	*	6/2014	Wood et al.	307/25

* cited by examiner

Primary Examiner — Holly Baynham
Assistant Examiner — Rhea Shields

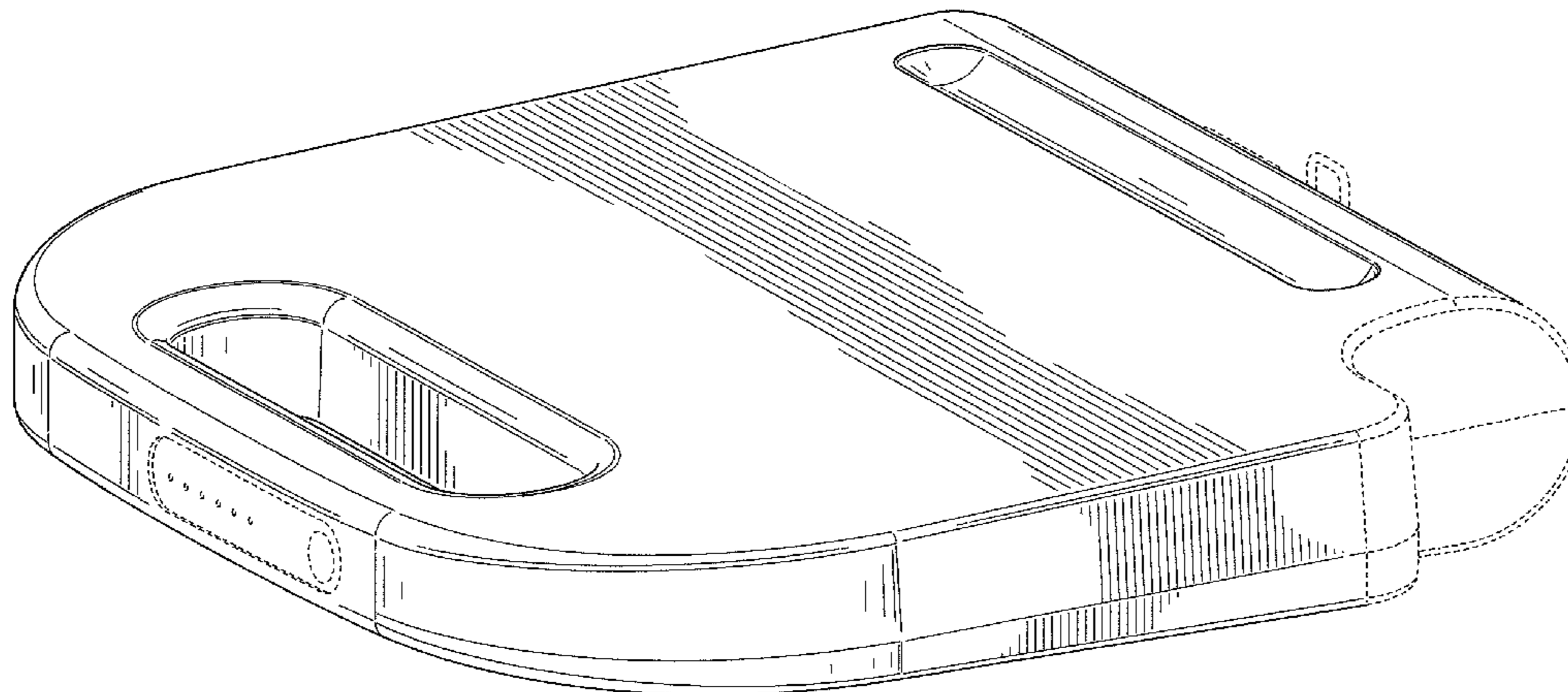
(57) **CLAIM**

The ornamental design for a medical device, as shown and described.

DESCRIPTION

FIG. 1 is a perspective view of a portion of a medical device showing our new design;
FIG. 2 is a front elevation view thereof;
FIG. 3 is a rear elevation view thereof;
FIG. 4 is a right side elevation view thereof;
FIG. 5 is a left side elevation view thereof;
FIG. 6 is a top plan view thereof;
FIG. 7 is a bottom plan view thereof;
FIG. 8 is a another perspective view thereof shown in the environment of a diagnostic device and cart;
FIG. 9 is a front elevation view thereof;
FIG. 10 is a rear elevation view thereof;
FIG. 11 is a right side elevation view thereof;
FIG. 12 is a left side elevation view thereof;
FIG. 13 is a top plan view thereof; and,
FIG. 14 is a bottom plan view thereof.
In the drawings, the broken lines are for the purpose of illustrating environment only and form no part of the claimed design.

1 Claim, 11 Drawing Sheets



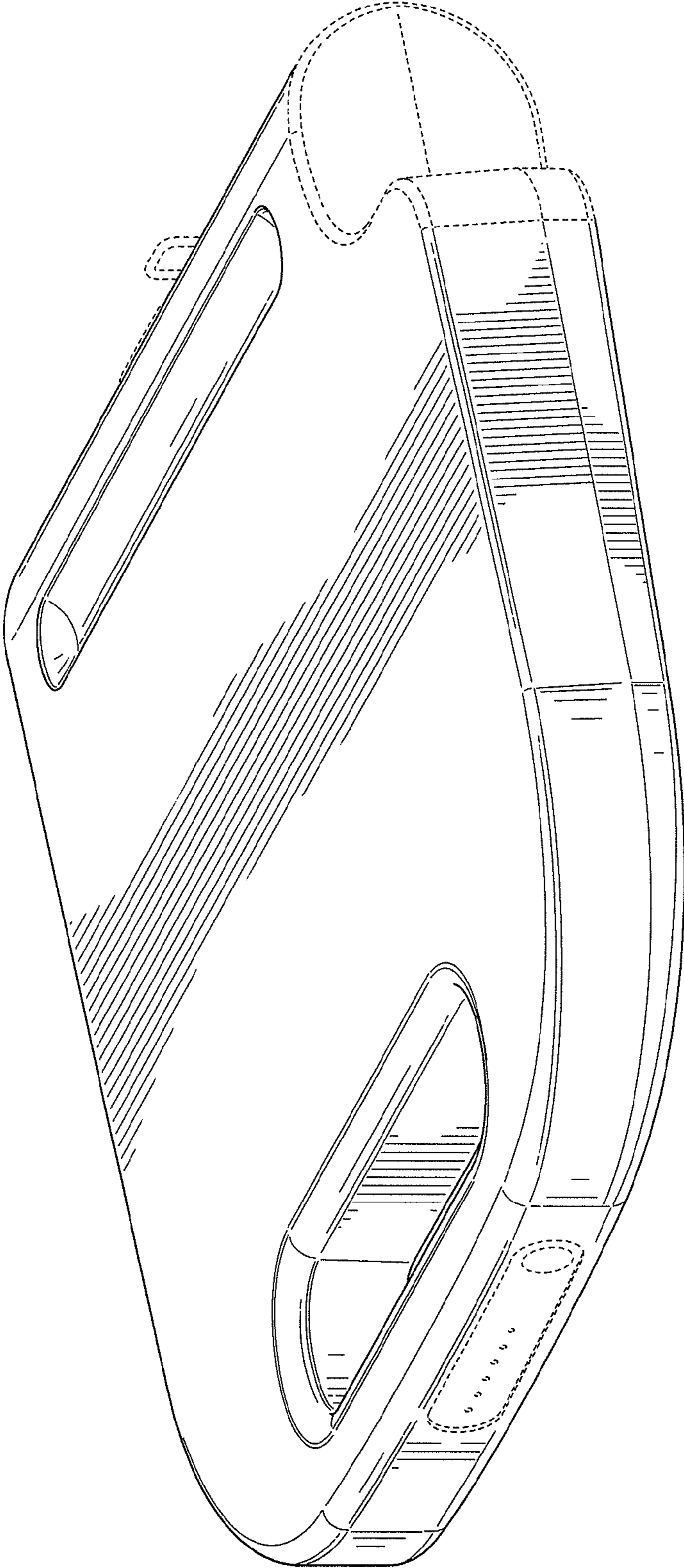


FIG. 1

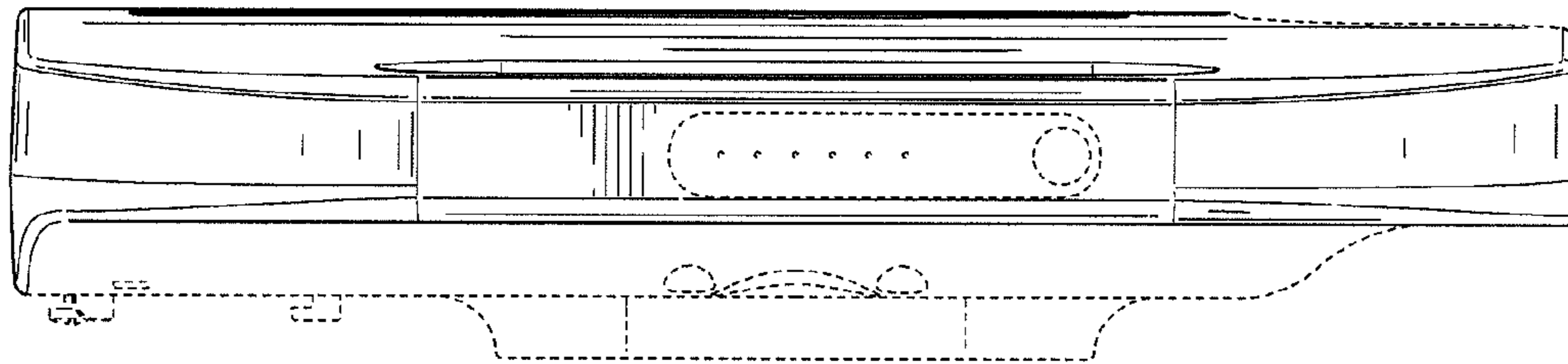


FIG. 2

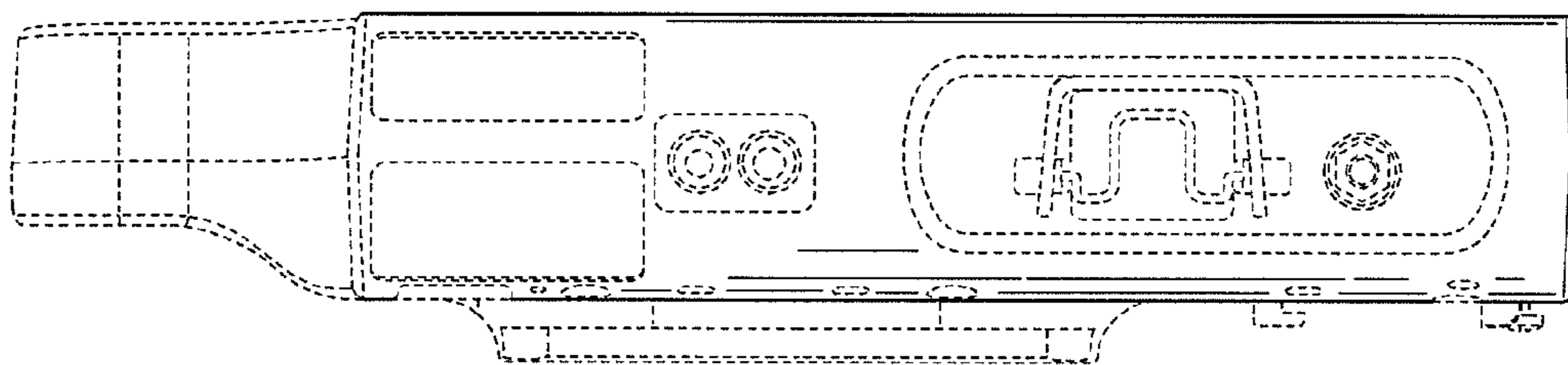


FIG. 3

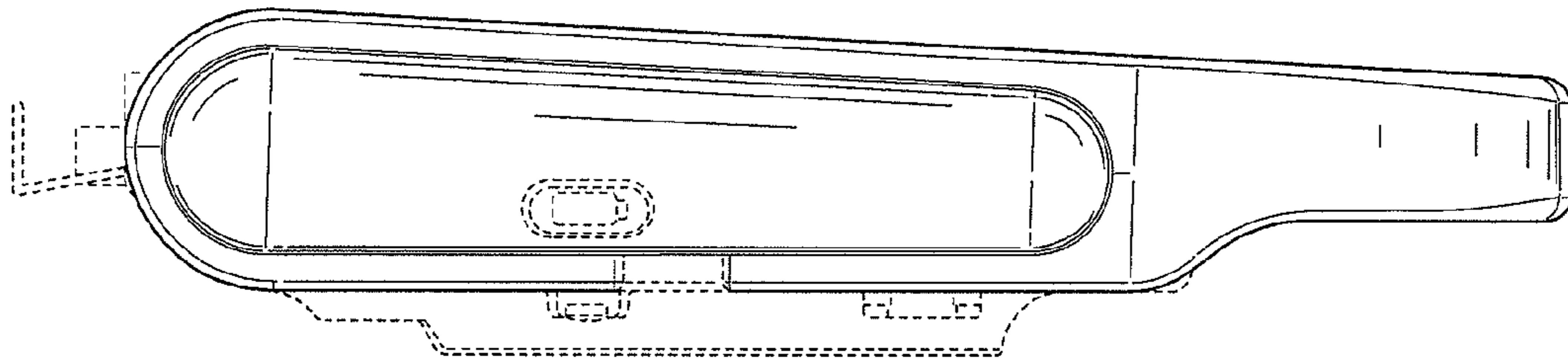


FIG. 4

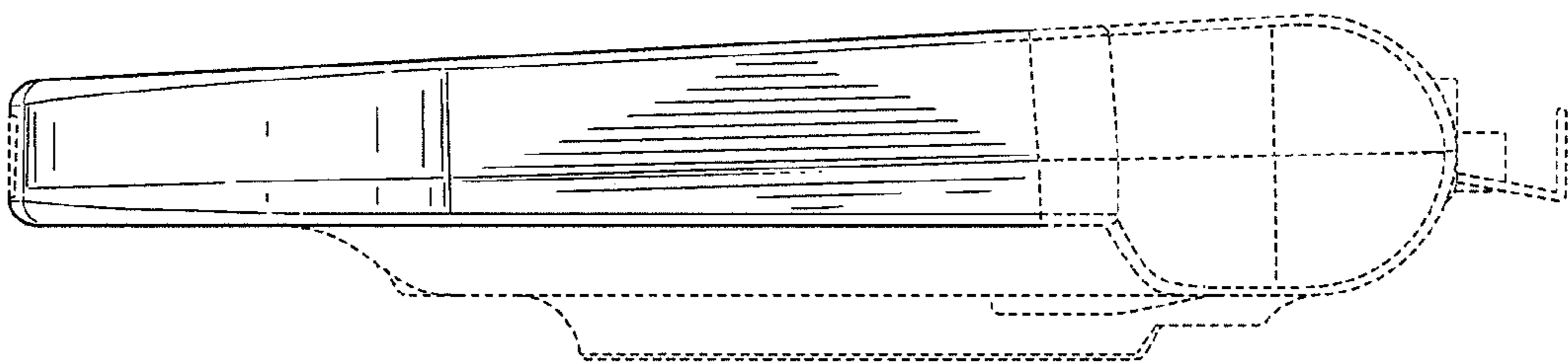


FIG. 5

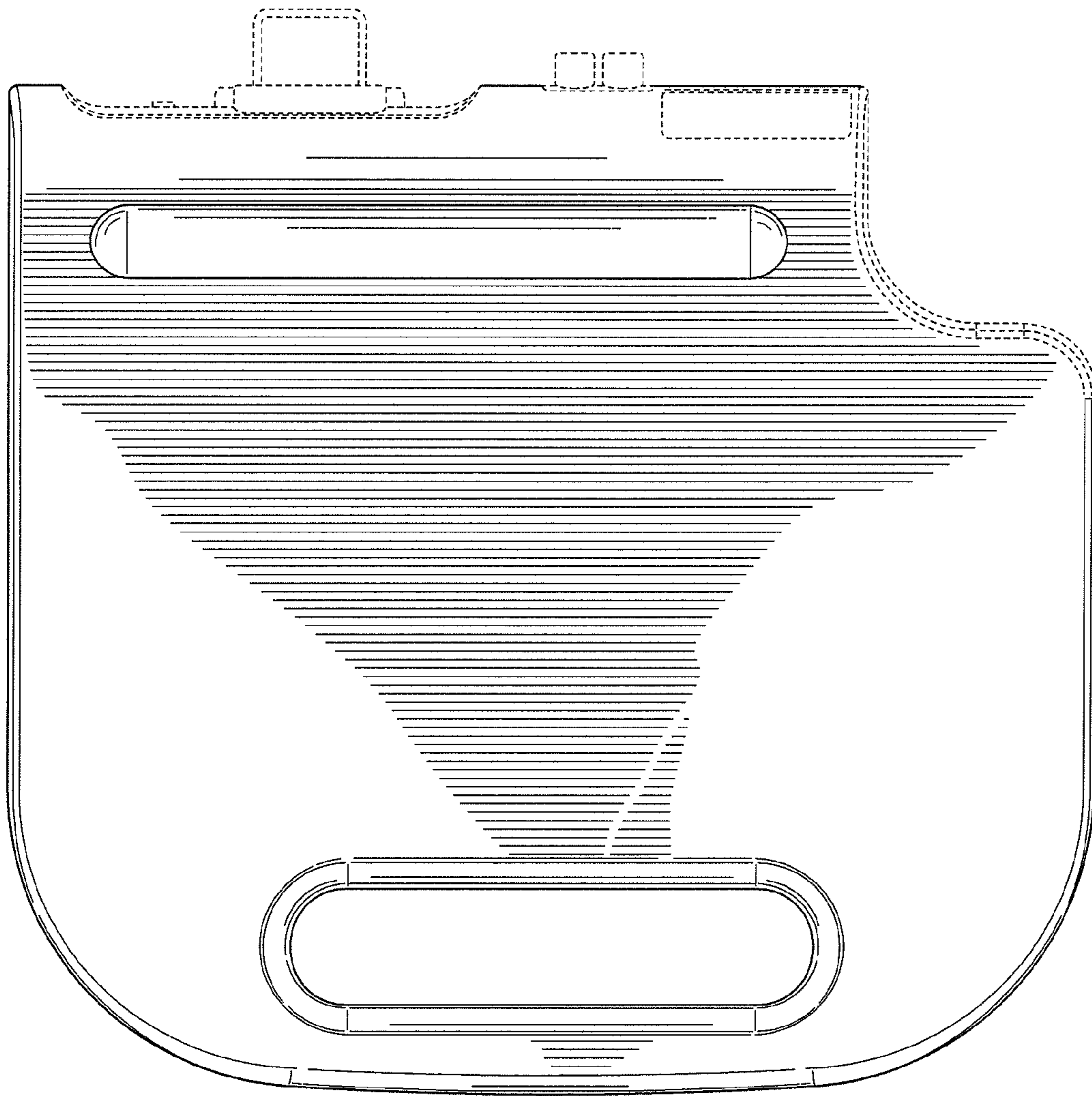


FIG. 6

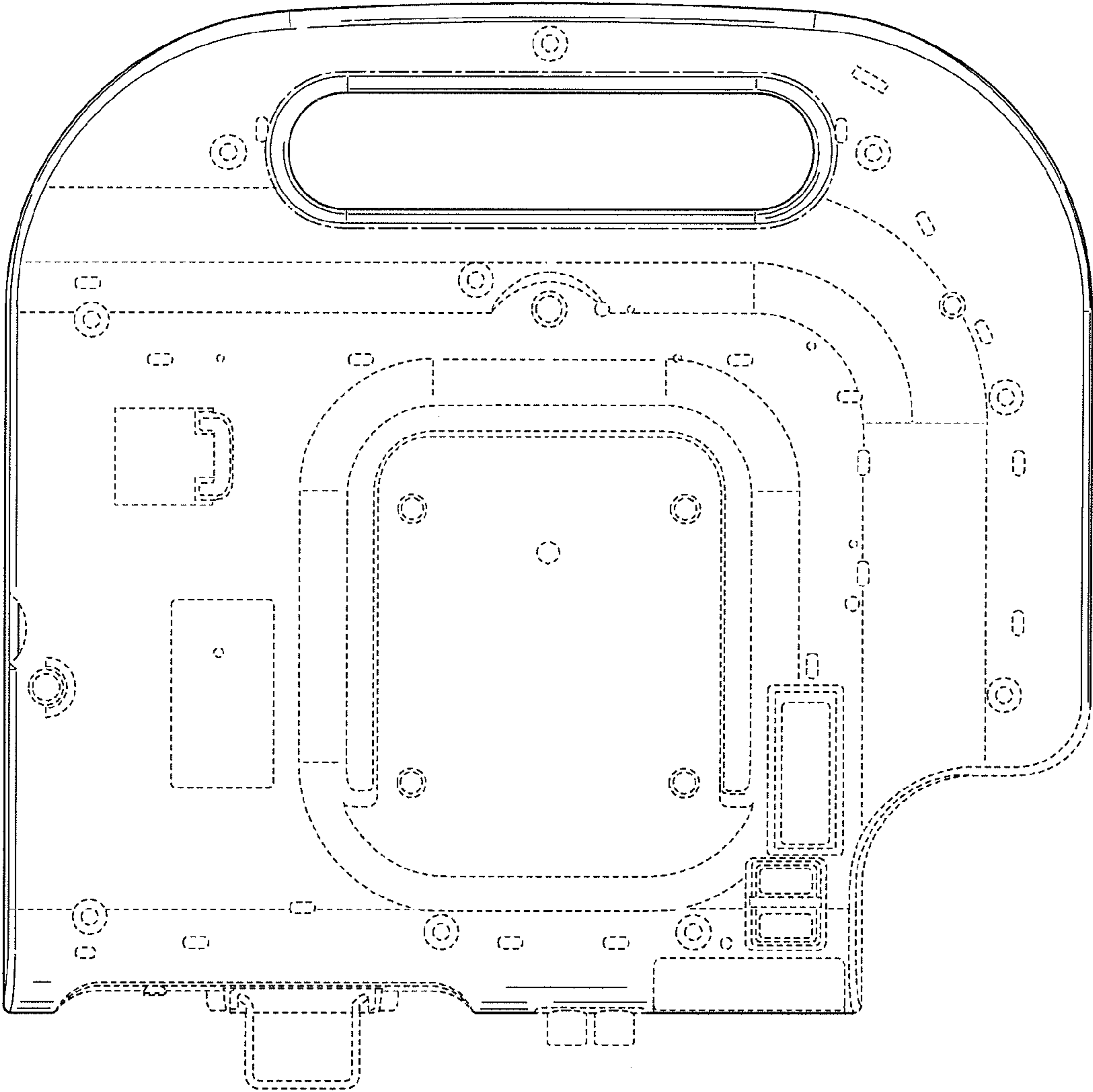


FIG. 7

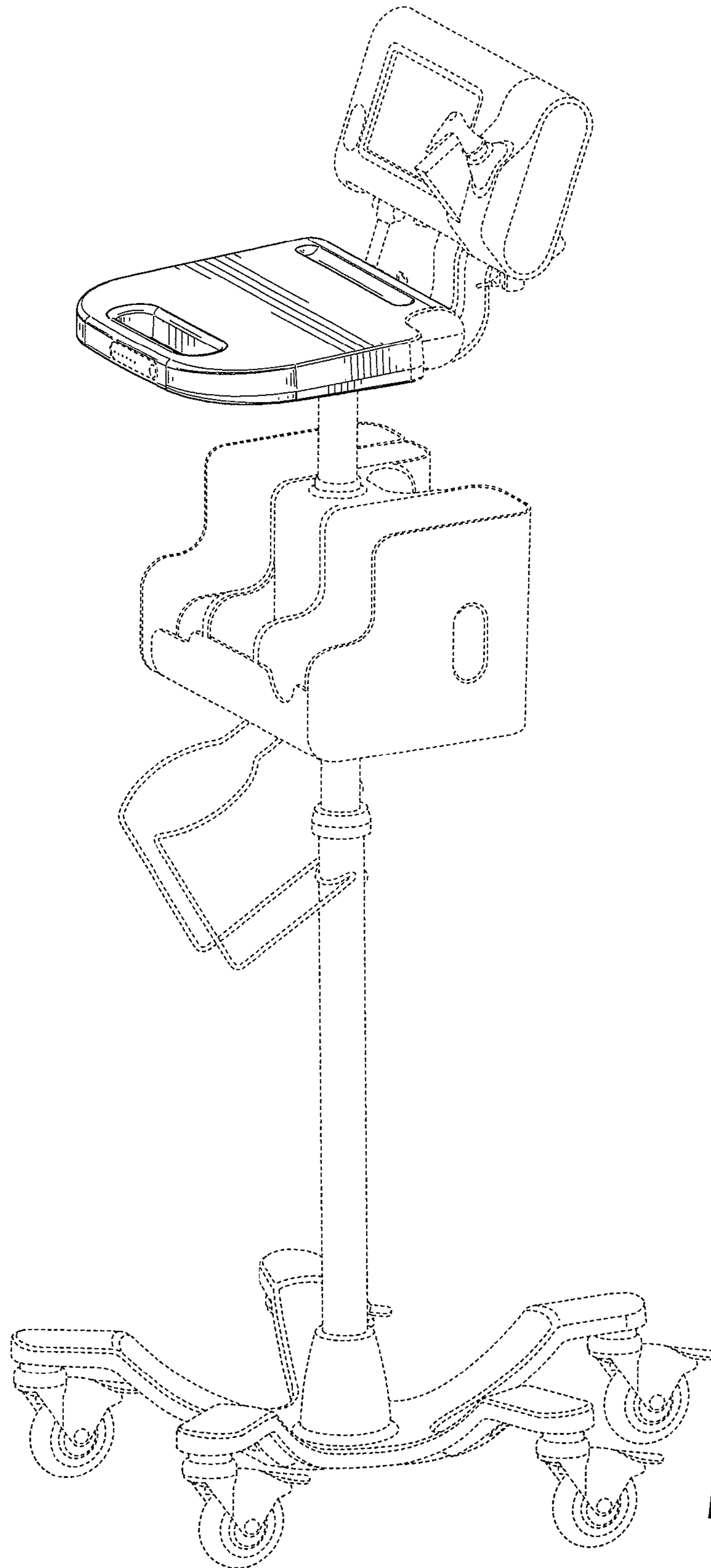


FIG. 8

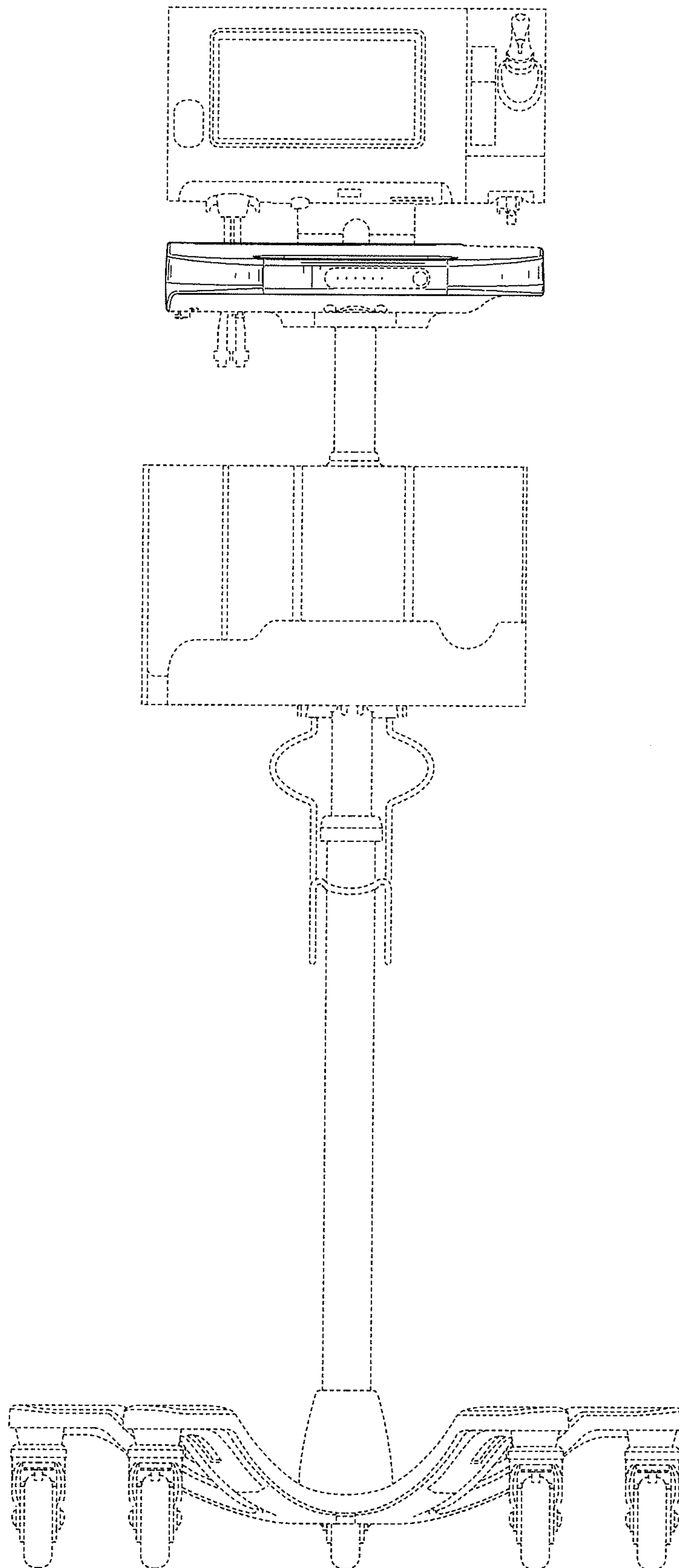


FIG. 9

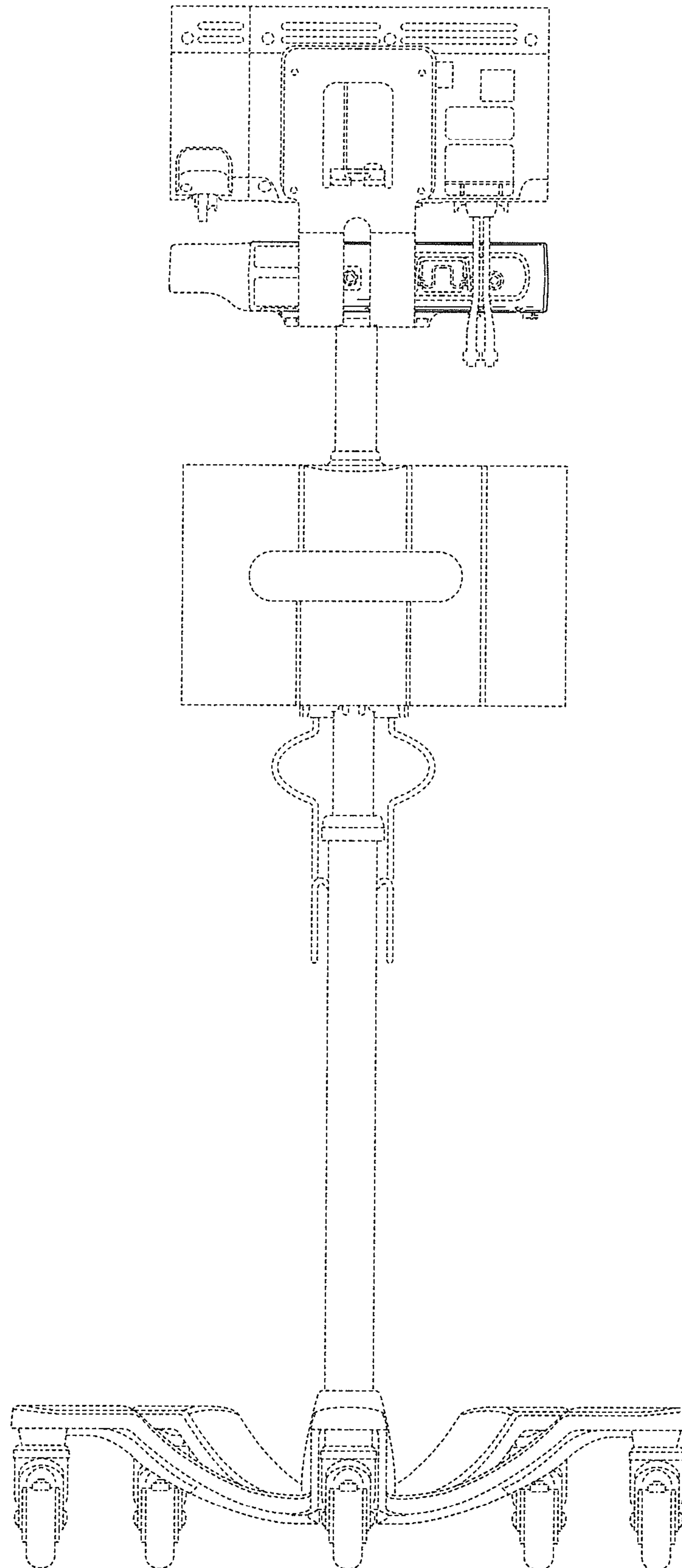


FIG. 10

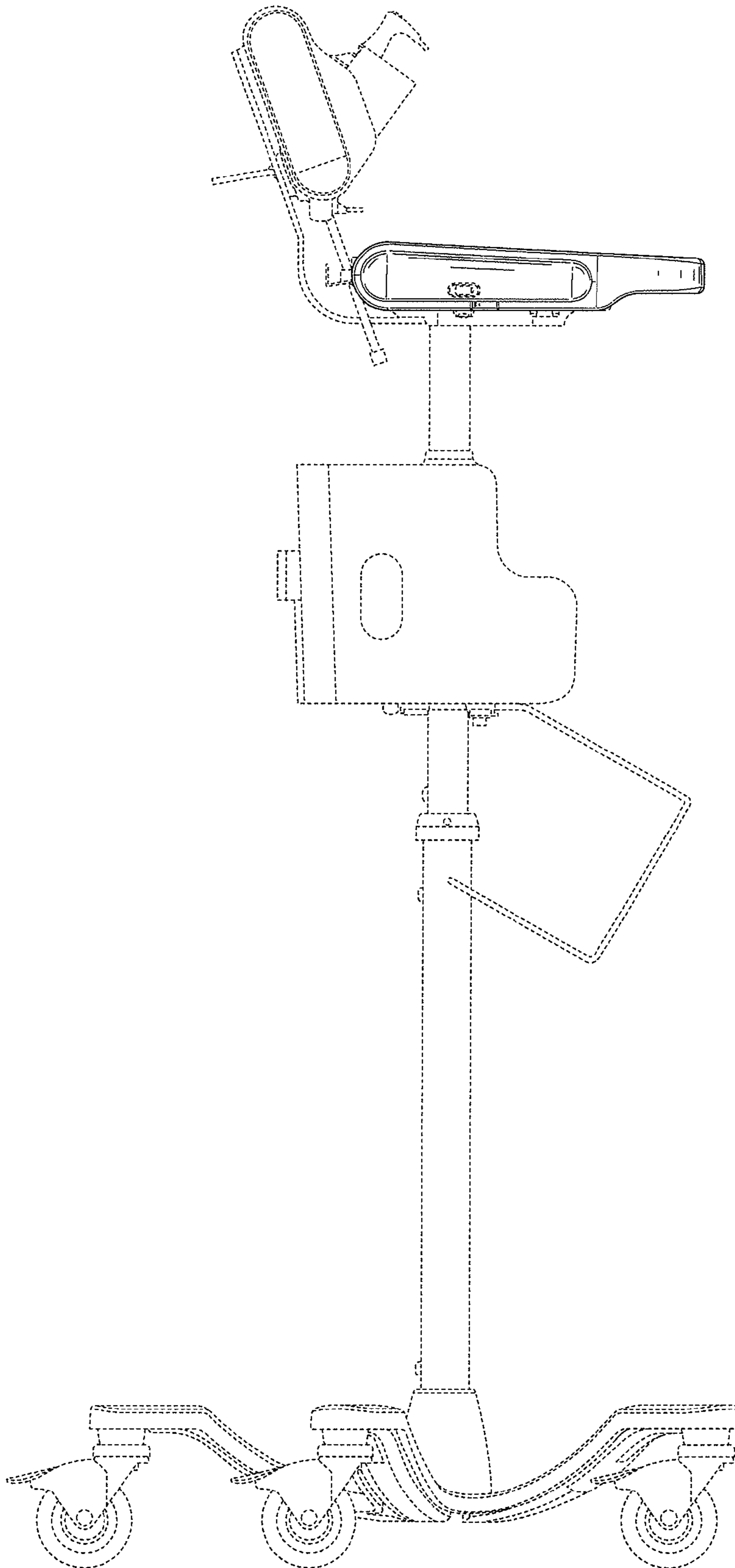


FIG. 11

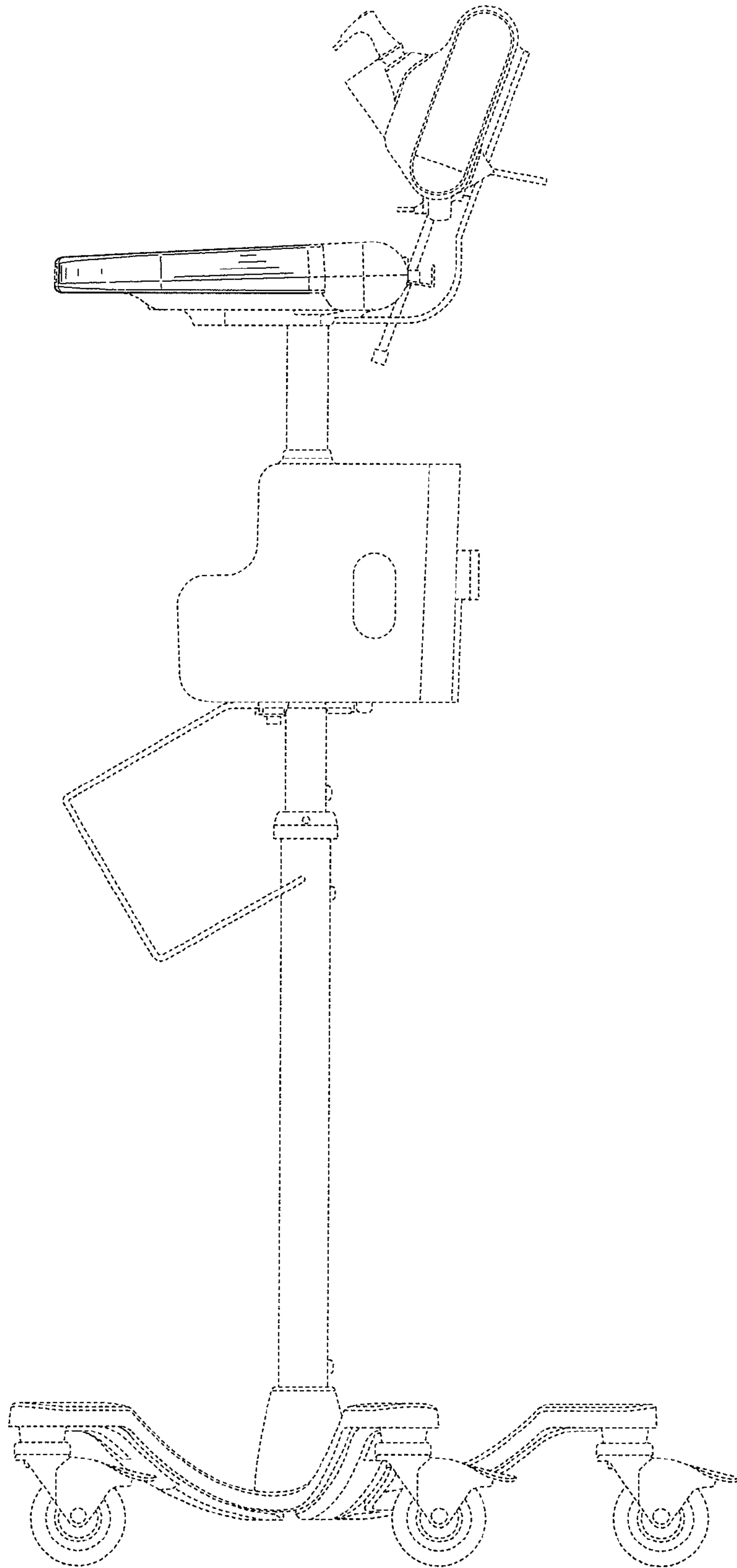


FIG. 12

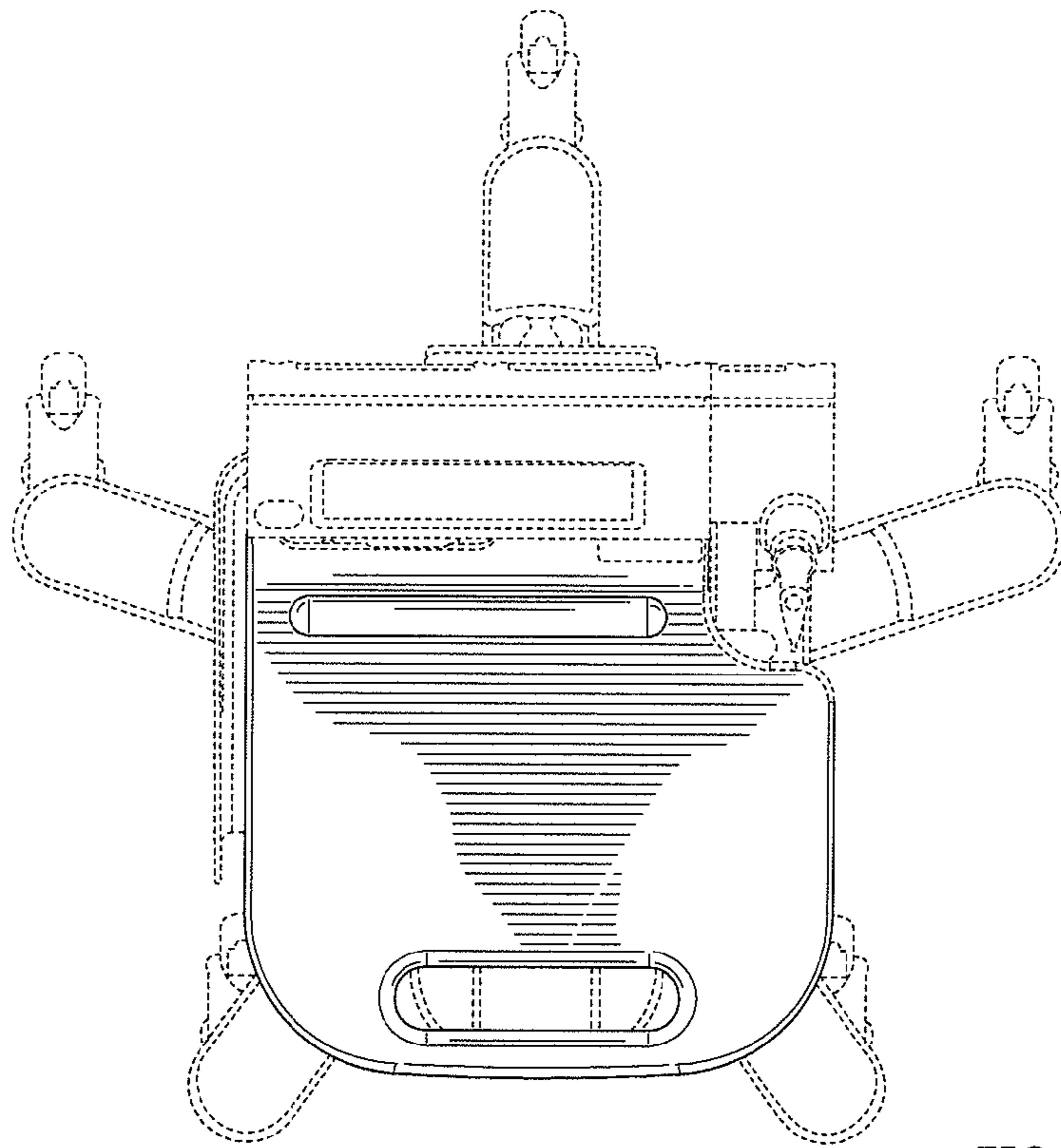


FIG. 13

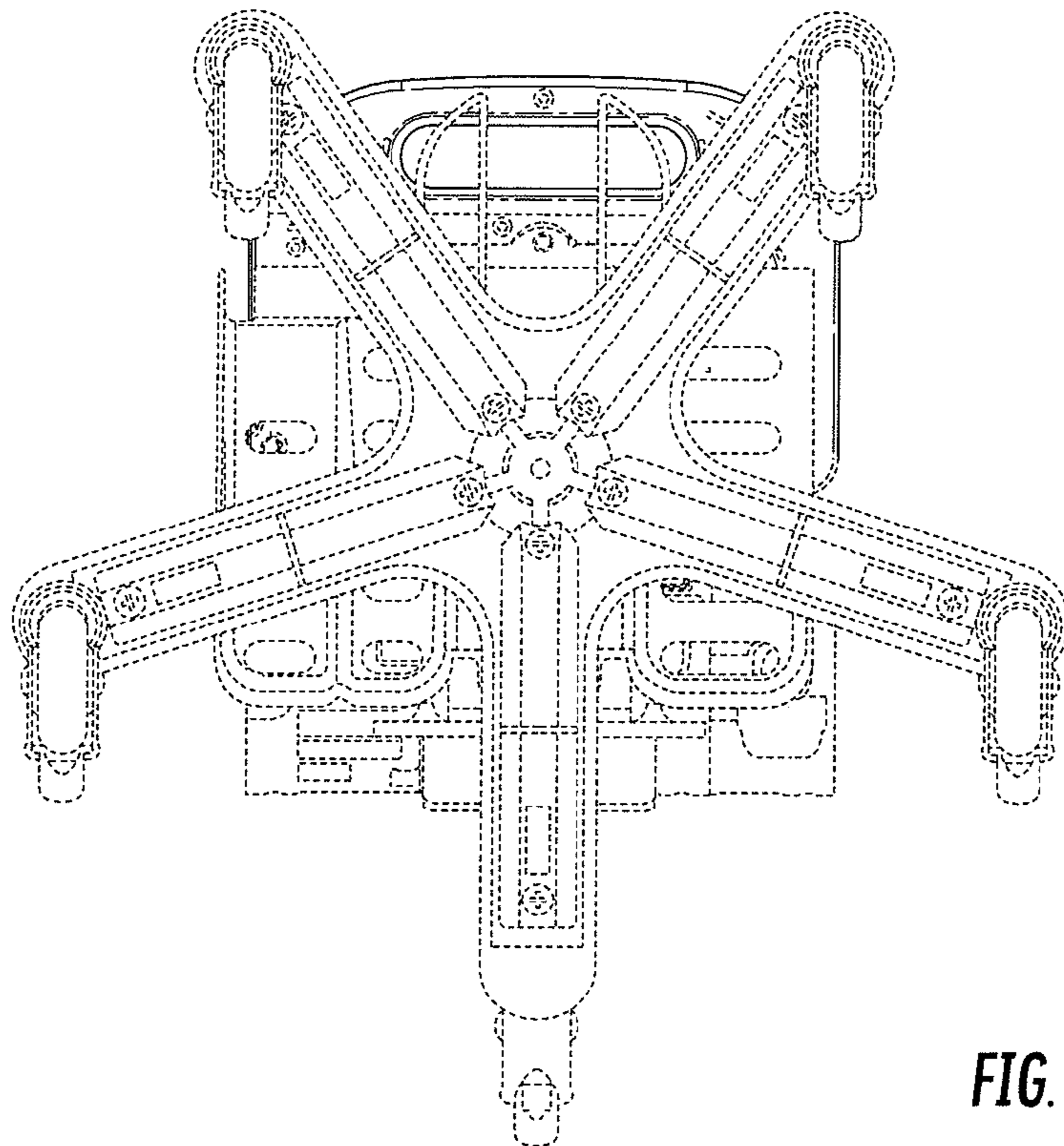


FIG. 14

UNITED STATES PATENT AND TRADEMARK OFFICE
CERTIFICATE OF CORRECTION

PATENT NO. : D754,353 S
APPLICATION NO. : 29/501551
DATED : April 19, 2016
INVENTOR(S) : Pileski et al.

Page 1 of 1

It is certified that error appears in the above-identified patent and that said Letters Patent is hereby corrected as shown below:

On the Title Page

In the Description:

“FIG. 1 is a perspective view of a portion of a medical device showing our new design;” should read
--FIG. 1 is a perspective view of a medical device showing our new design;--.

Signed and Sealed this
Tenth Day of January, 2017



Michelle K. Lee
Director of the United States Patent and Trademark Office