

US00D754352S

(12) **United States Design Patent**
Faust et al.

(10) **Patent No.:** **US D754,352 S**
(45) **Date of Patent:** **** Apr. 19, 2016**

(54) **BUCCAL TUBE**
(71) Applicant: **American Orthodontics Corporation**,
Sheboygan, WI (US)
(72) Inventors: **Scott Faust**, Kiel, WI (US); **Bradley J. Brassler**, Oostburg, WI (US)
(73) Assignee: **American Orthodontics Corporation**,
Sheboygan, WI (US)
(**) Term: **15 Years**

5,556,277 A 9/1996 Yawata et al.
5,910,007 A 6/1999 Shimodaira et al.
6,206,690 B1 3/2001 Vargas
6,241,516 B1 6/2001 Orikasa et al.
D478,172 S 8/2003 Kesling et al.
6,705,862 B2 3/2004 Schultz
6,709,268 B2 3/2004 Pospisil et al.
6,733,285 B2 5/2004 Puttler et al.
6,893,257 B2 5/2005 Kelly
6,910,884 B2 6/2005 Kelly et al.
6,957,957 B2 10/2005 Pospisil
D594,558 S 6/2009 Verdouw et al.
8,251,697 B2 8/2012 Smith et al.
8,585,399 B2 11/2013 Smith et al.

(Continued)

(21) Appl. No.: **29/530,698**
(22) Filed: **Jun. 18, 2015**

OTHER PUBLICATIONS

Accent mini; Ormco Corporation; 2012.

(Continued)

Related U.S. Application Data

(63) Continuation of application No. 29/494,372, filed on Jun. 19, 2014, now Pat. No. Des. 739,536, which is a continuation of application No. 29/446,068, filed on Feb. 20, 2013, now Pat. No. Des. 720,856.

Primary Examiner — Wan Laymon

(74) *Attorney, Agent, or Firm* — Andrus Intellectual Property Law, LLP

(51) **LOC (10) Cl.** **24-02**

(52) **U.S. Cl.**
USPC **D24/180**

(58) **Field of Classification Search**
USPC D24/176–182
CPC A61C 7/12; A61C 7/14; A61C 7/141;
A61C 7/143; A61C 7/00; A61C 7/282
See application file for complete search history.

(57) **CLAIM**

The ornamental design for a buccal tube, as shown and described.

DESCRIPTION

FIG. 1 is an isometric view of a buccal tube;
FIG. 2 is a top view thereof;
FIG. 3 is a right side thereof;
FIG. 4 is a left side thereof;
FIG. 5 is a front view thereof;
FIG. 6 is a back view thereof; and,
FIG. 7 is a bottom view thereof.

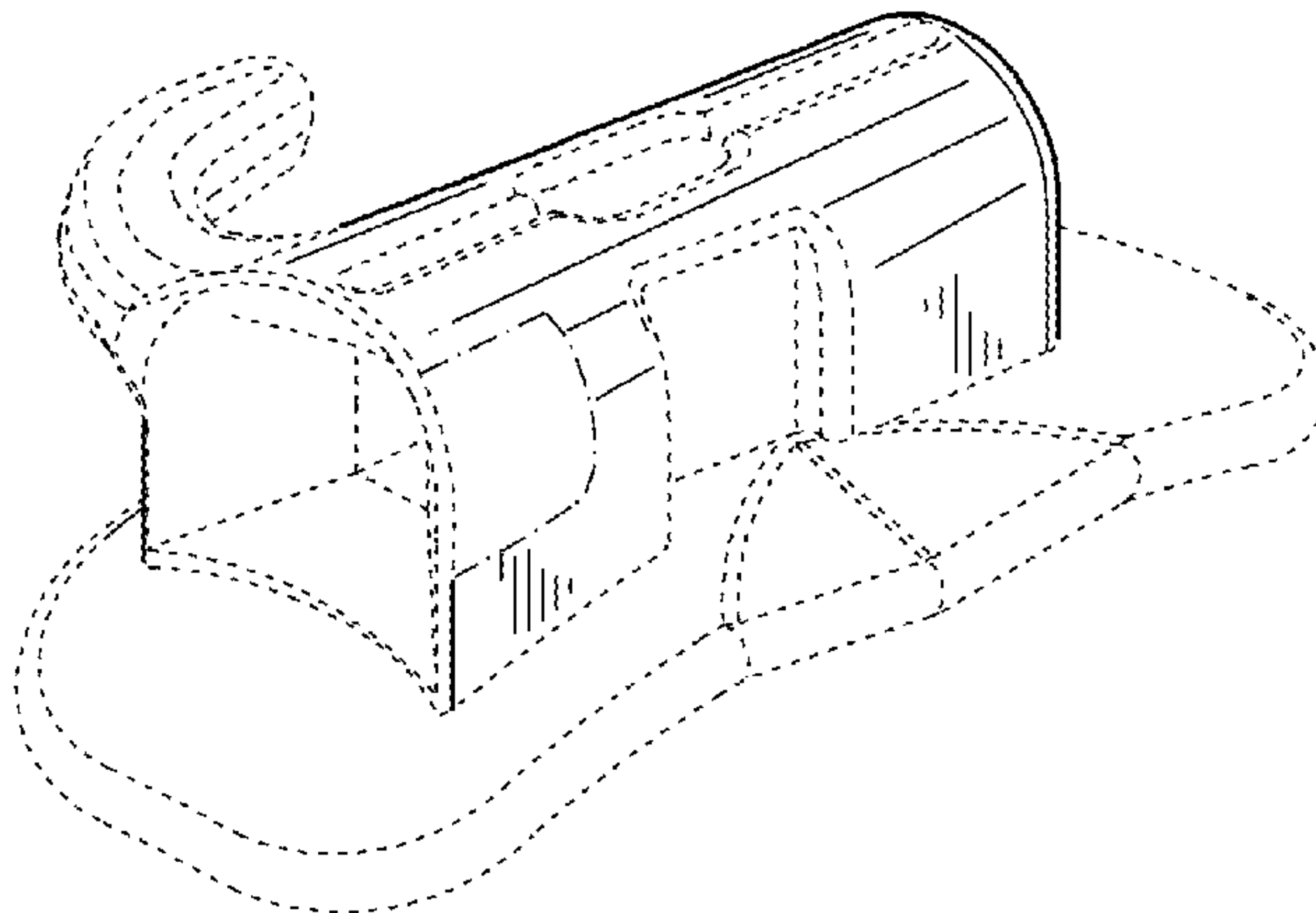
The dash-dot lines define the boundary lines of the claimed design. The broken lines shown in the figures are included for the purpose of illustrating environmental and form no part of the claimed design.

(56) **References Cited**

U.S. PATENT DOCUMENTS

4,781,582 A 11/1988 Kesling
5,224,858 A 7/1993 Hanson
5,230,620 A 7/1993 Watanabe
5,292,248 A * 3/1994 Schultz A61C 7/282
433/17
5,320,526 A 6/1994 Tuneberg
D359,776 S 6/1995 Hilgers

1 Claim, 3 Drawing Sheets



(56)

References Cited

U.S. PATENT DOCUMENTS

8,807,997 B2 * 8/2014 Smith A61C 7/282
433/10
D721,811 S 1/2015 Zakhem et al.
D741,496 S * 10/2015 Oda D24/180
2005/0244777 A1 11/2005 Schultz
2006/0046224 A1 3/2006 Sondhi et al.
2007/0254258 A1 11/2007 Tuneberg
2008/0070183 A1 * 3/2008 Sondhi A61C 7/282
433/9
2014/0356801 A1 12/2014 Smith et al.

OTHER PUBLICATIONS

New Design Orthodontic Buccal Tube. Hangzhou Xingchen 3B Dental instrument & Material Co., Ltd. (Retrieved on Jan. 16, 2014). U Retrieved from the Internet: <URL: http://china-3b.en.made-in-china.com/productimage/wM1_QcvLufyWP-2f1jOOBefEitb1_gAor/China-New-Desig...>.
MBT Buccal Tube. (retrieved on Jan. 16, 2014). Retrieved from the Internet: <URL: <http://www.topdentalsupply.com/products/74.html>>.
FLI® Buccal Tubes. RMO rocky mountain orthodontics. (Retrieved on Jan. 16, 2014). Retrieved from the Internet: <URL: <https://www.rmoortho.com/products/fli-buccal-tubes/>>.

* cited by examiner

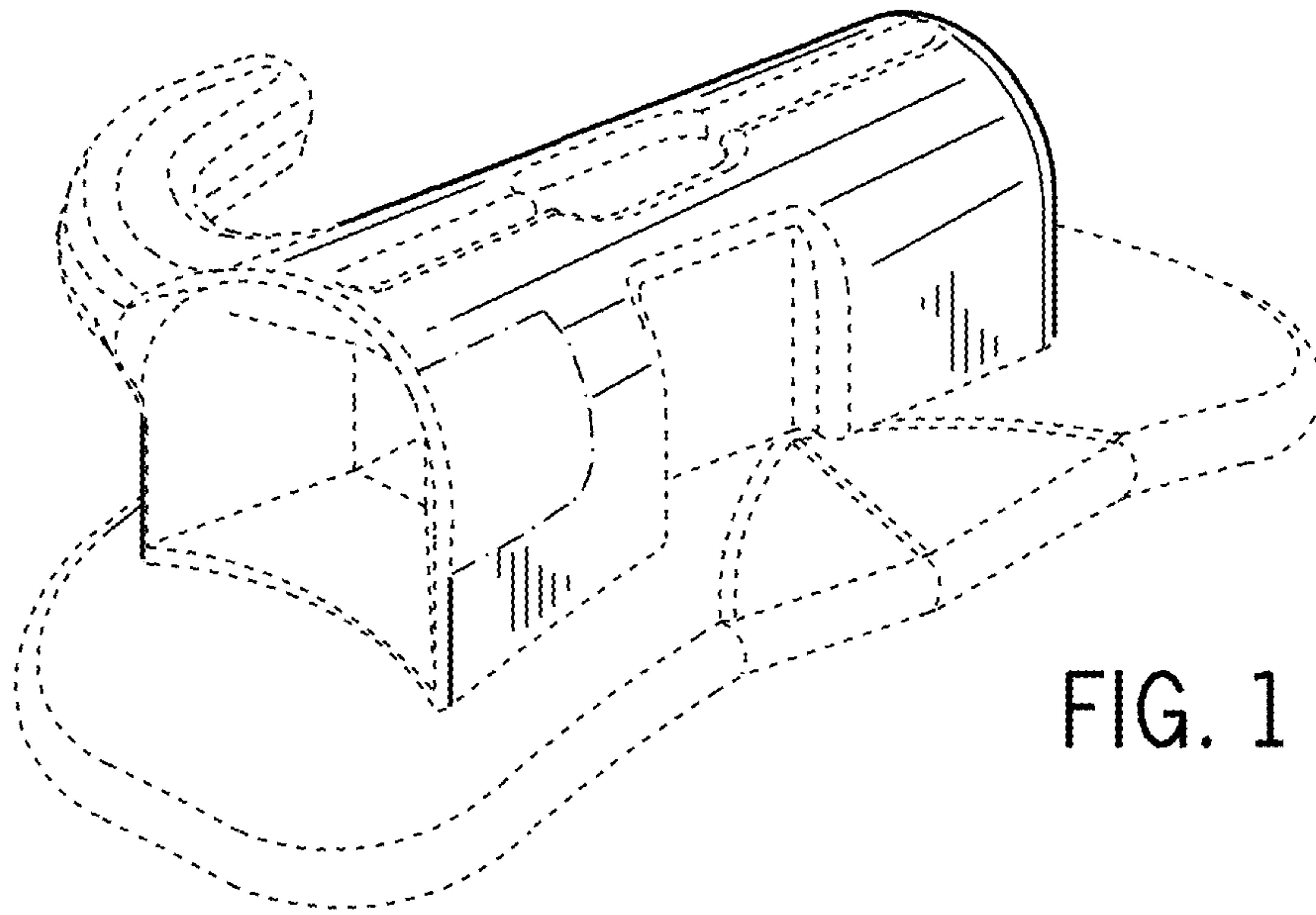


FIG. 1

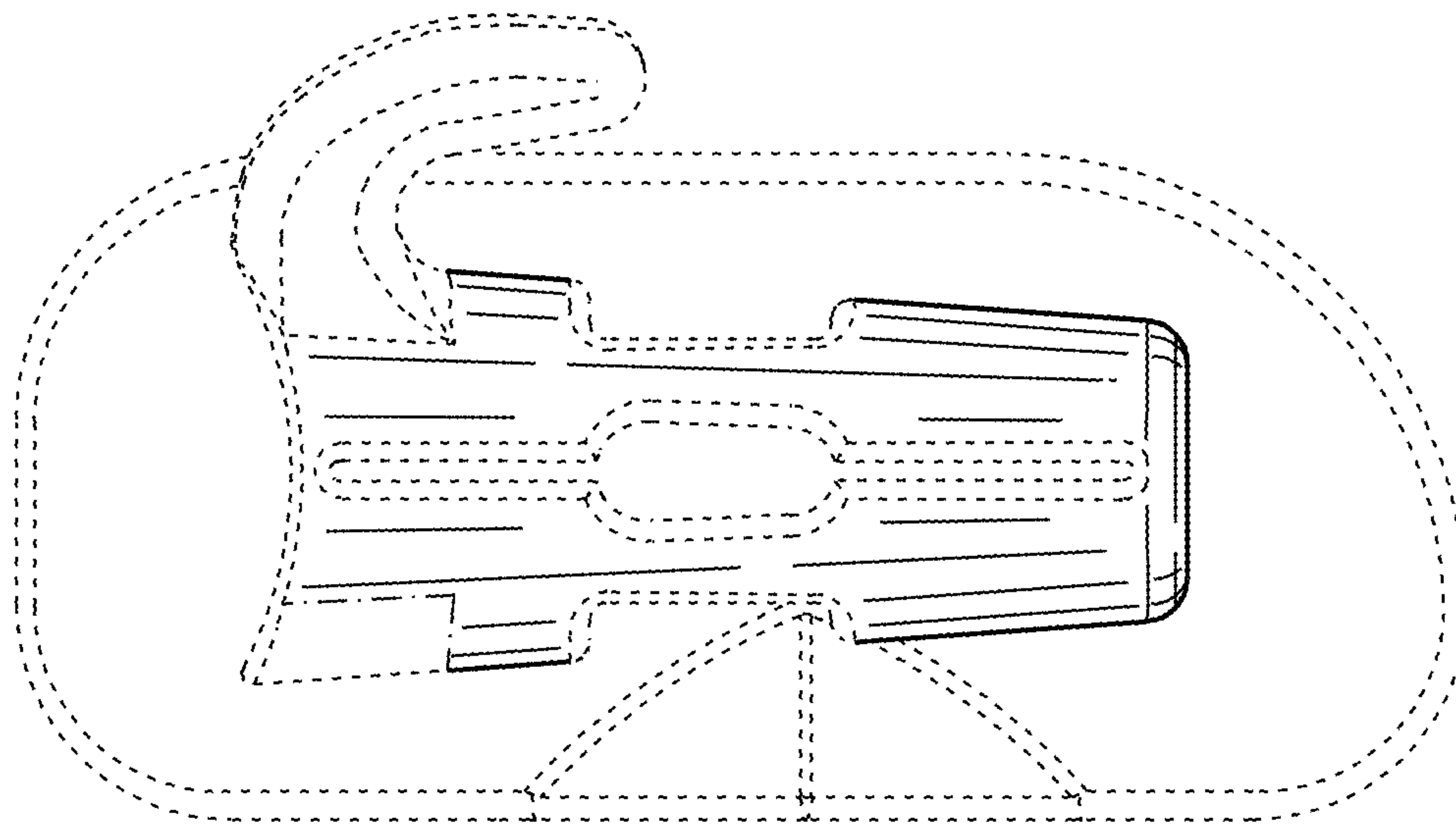


FIG. 2

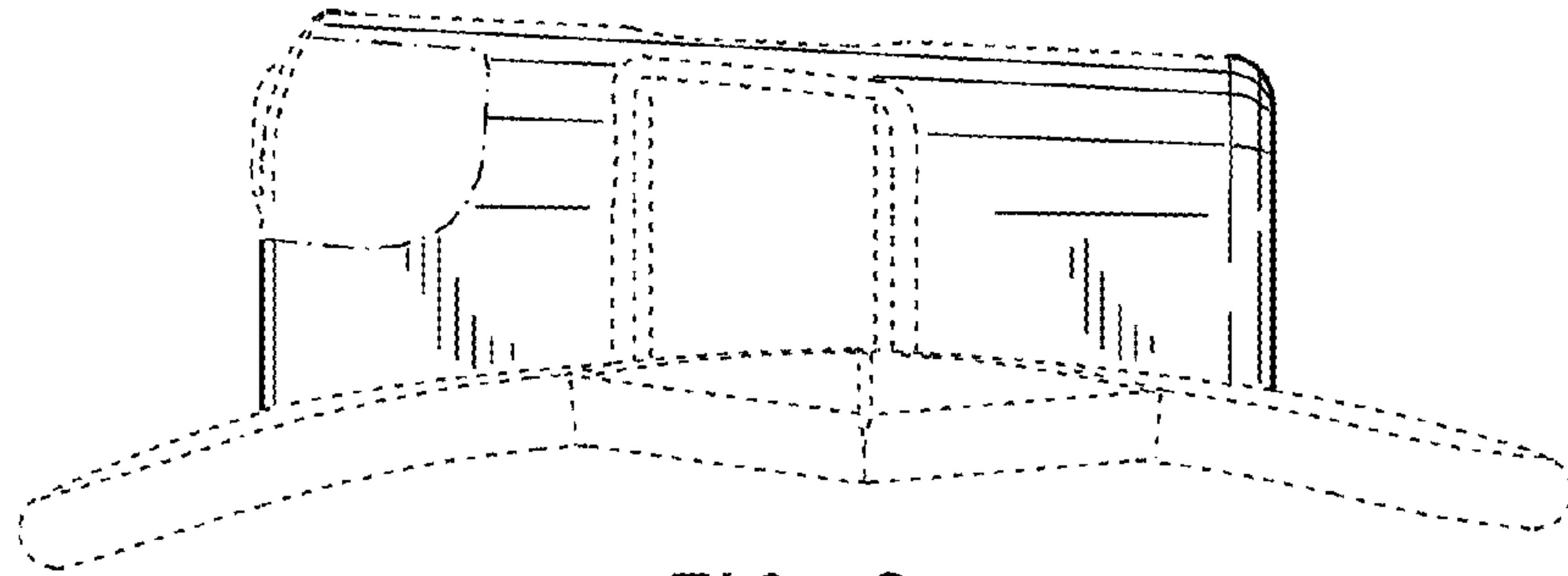


FIG. 3

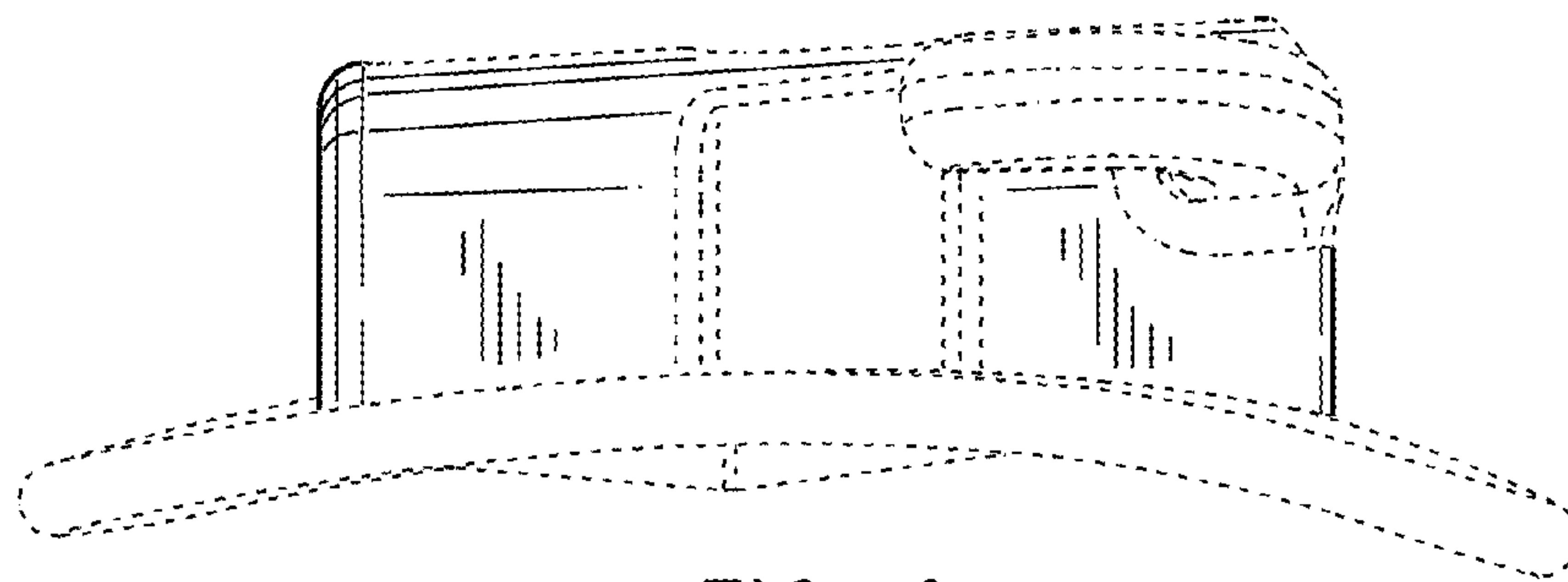


FIG. 4

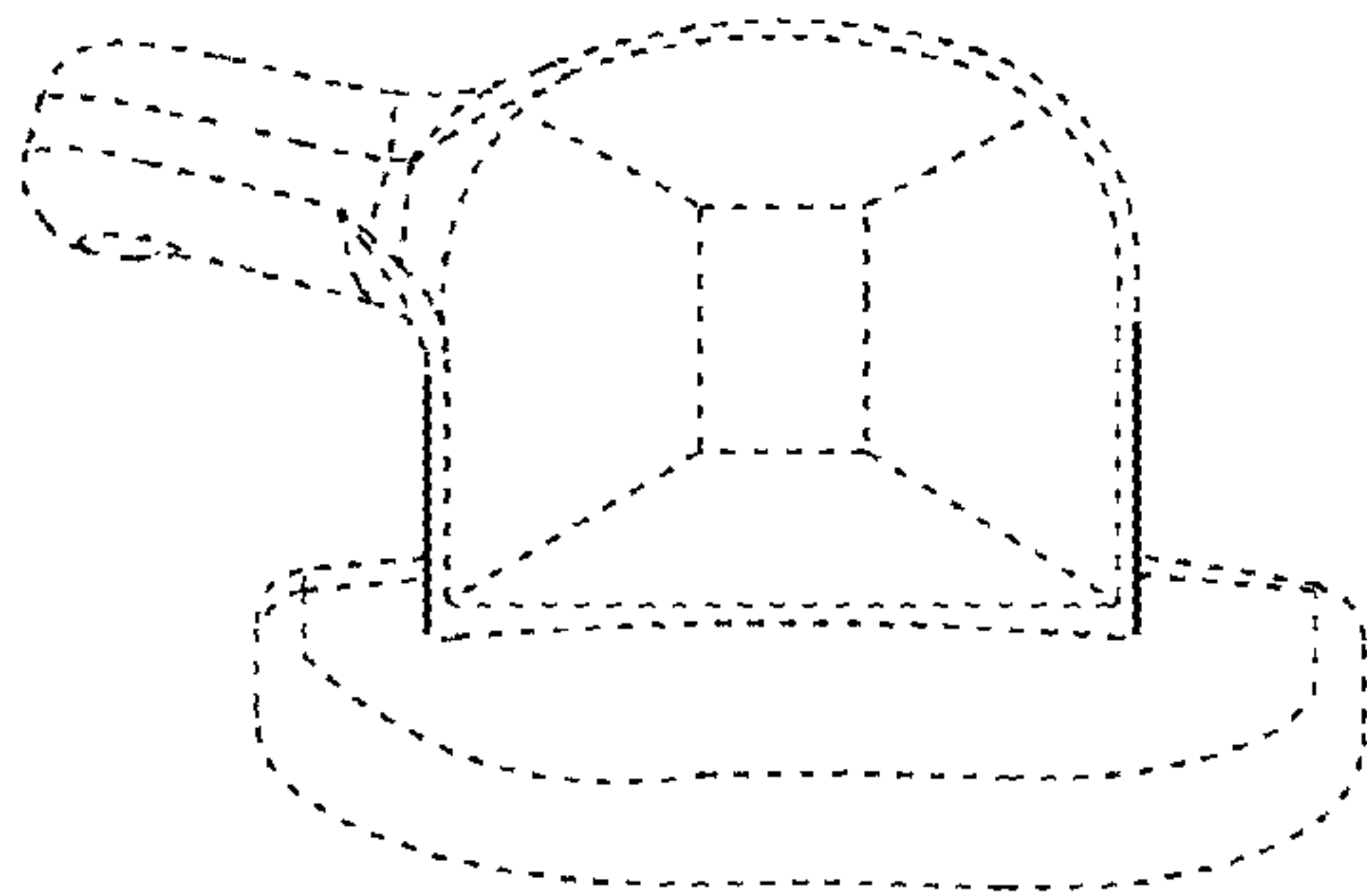


FIG. 5

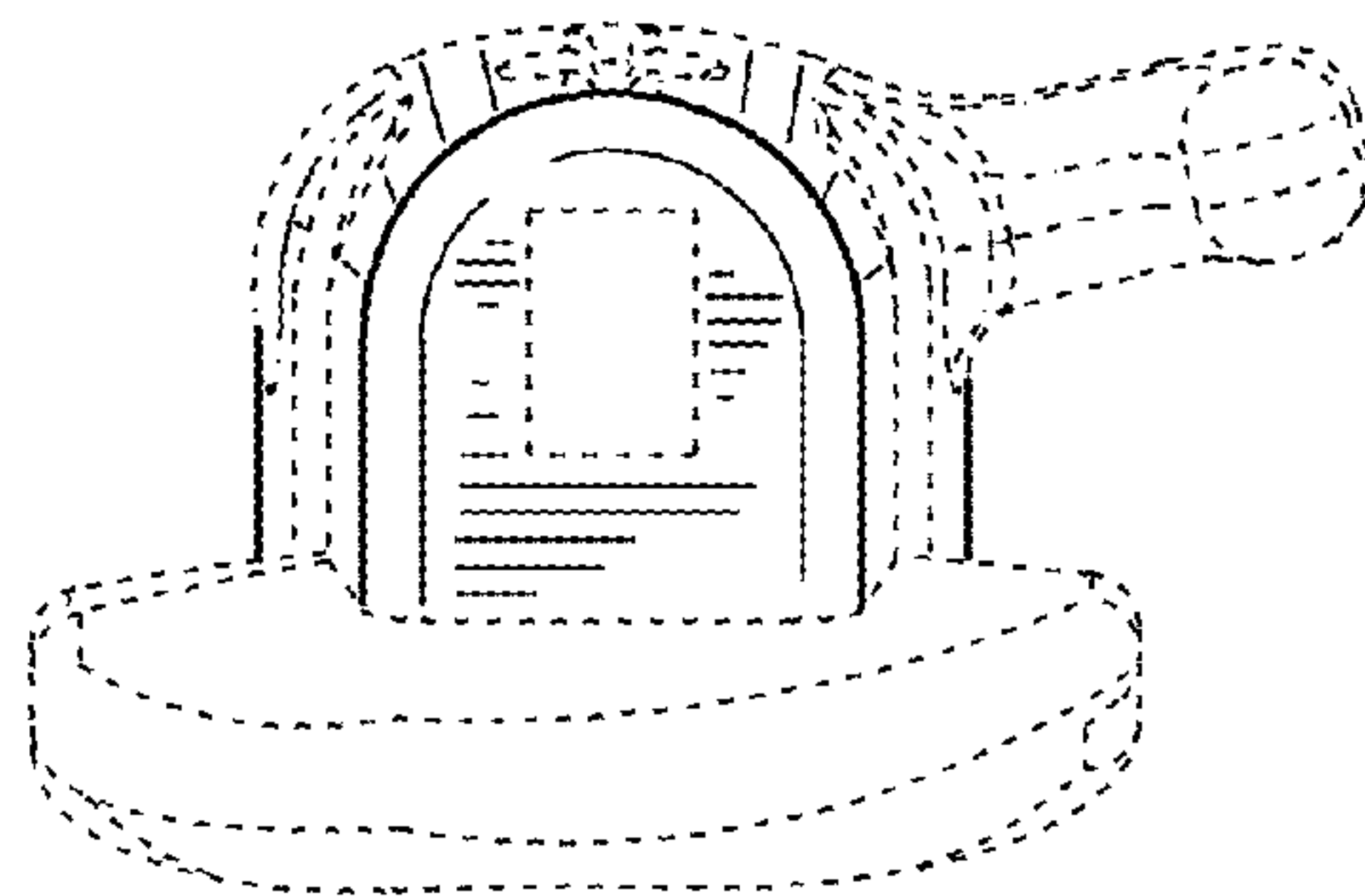


FIG. 6

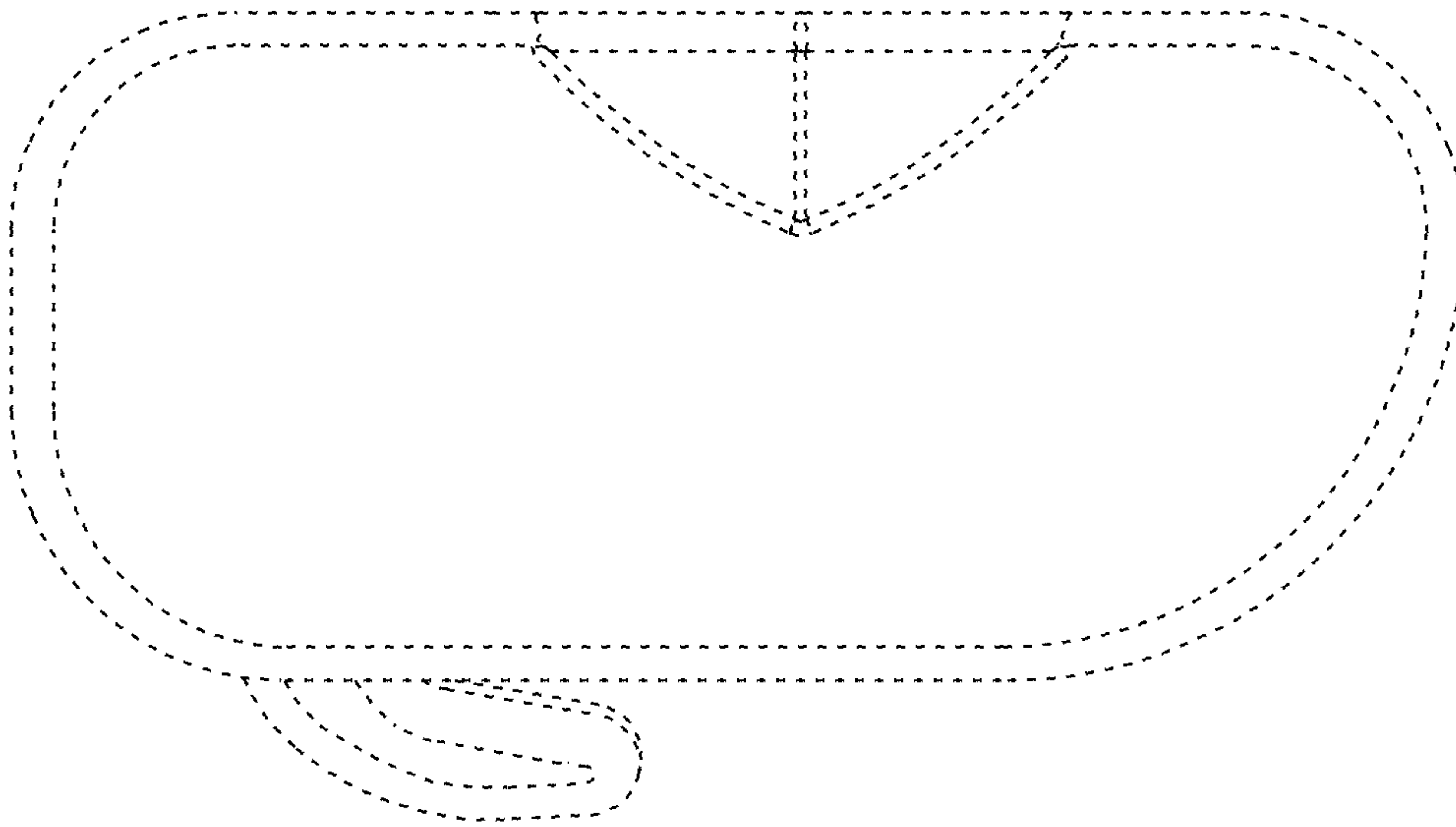


FIG. 7