



US00D754348S

(12) **United States Design Patent**  
**Ballsieper**

(10) **Patent No.:** **US D754,348 S**  
(45) **Date of Patent:** **\*\* Apr. 19, 2016**

(54) **MOBILE RADIATION PROTECTION DEVICE**

(71) Applicant: **Mavig GmbH**, Munich (DE)

(72) Inventor: **Barbara Ballsieper**, Munich (DE)

(73) Assignee: **Mavig GmbH**, Munich (DE)

(\*\*) Term: **14 Years**

(21) Appl. No.: **29/523,937**

(22) Filed: **Apr. 15, 2015**

(30) **Foreign Application Priority Data**

Feb. 13, 2015 (EM) ..... 002633503-0002

(51) **LOC (10) Cl.** ..... **24-01**

(52) **U.S. Cl.**  
USPC ..... **D24/158**

(58) **Field of Classification Search**  
USPC ..... D24/158-161, 231; D29/100, 101.1;  
378/203, 204, 210; 250/515.1, 516.1,  
250/519.1; 976/DIG. 335  
CPC ..... A61B 6/107; G21F 3/00; G21F 3/02;  
G21Y 2004/30  
See application file for complete search history.

(56) **References Cited**

**U.S. PATENT DOCUMENTS**

D245,464 S \* 8/1977 Reiss ..... D16/309  
5,015,864 A 5/1991 Maleki

5,220,175 A \* 6/1993 Cole ..... G21F 3/02  
250/515.1  
D693,478 S \* 11/2013 Irick ..... D24/158  
8,598,554 B2 \* 12/2013 Rees ..... A61B 6/107  
250/516.1  
2005/0173658 A1 \* 8/2005 Lemer ..... A61B 6/107  
250/515.1  
2008/0093568 A1 \* 4/2008 Fox ..... A61B 6/107  
250/515.1  
2008/0217564 A1 \* 9/2008 Beyar ..... A61B 6/00  
250/515.1  
2013/0270462 A1 \* 10/2013 Beck ..... A61B 6/4423  
250/516.1  
2015/0206609 A1 \* 7/2015 Lemer ..... A61B 6/107  
250/515.1

\* cited by examiner

*Primary Examiner* — Anhdao Doan

(74) *Attorney, Agent, or Firm* — Jordan and Hamburg LLP

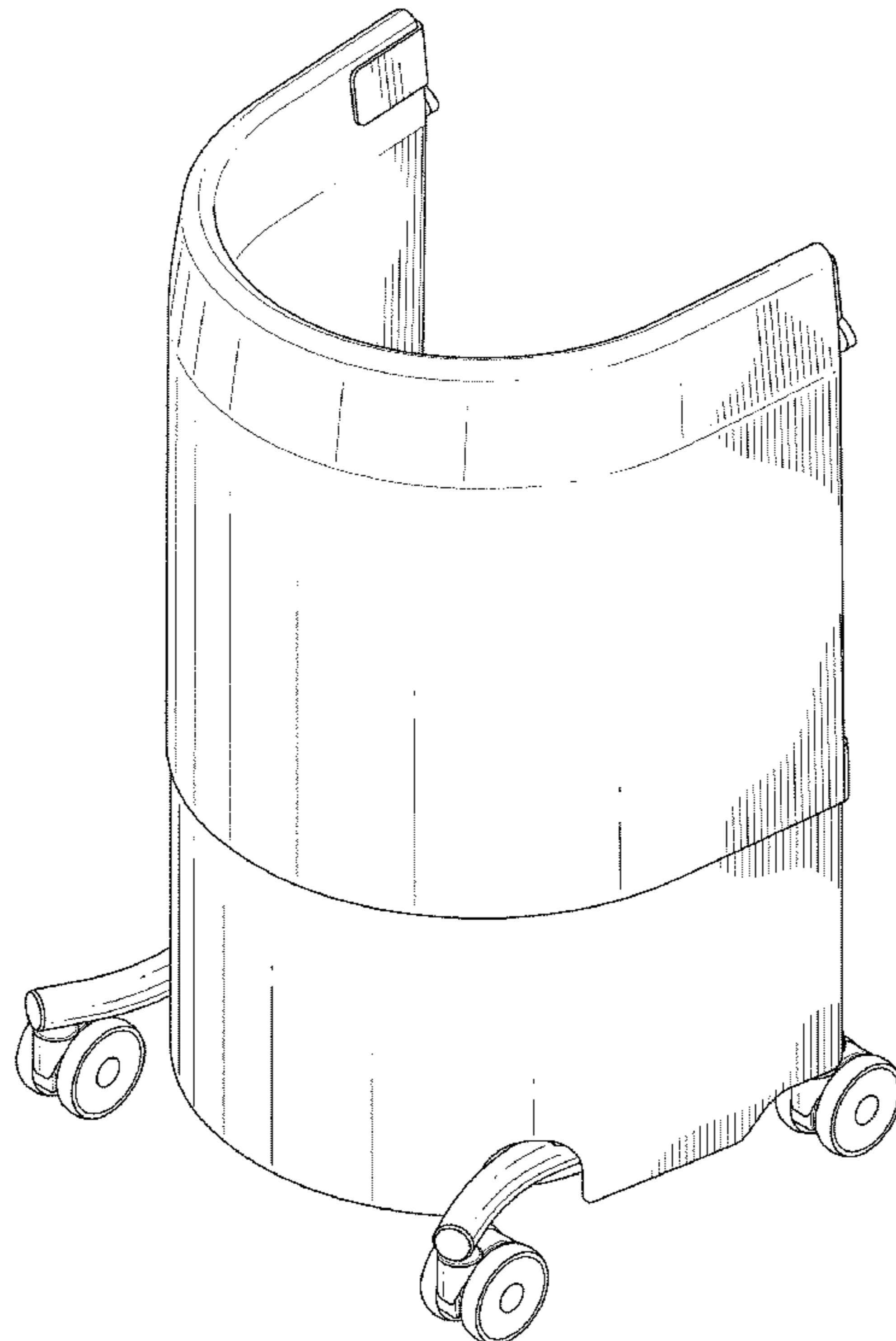
(57) **CLAIM**

The ornamental design for a mobile radiation protection device, as shown and described.

**DESCRIPTION**

FIG. 1 is a top, rear view and left side perspective view of a mobile radiation protection device showing my new design; FIG. 2 is a rear elevation view thereof; FIG. 3 is a top, front and right side perspective view thereof; and, FIG. 4 is a front elevation view thereof. Broken lines in FIG. 4 are for illustration purposes only and form no part of the claimed design.

**1 Claim, 4 Drawing Sheets**



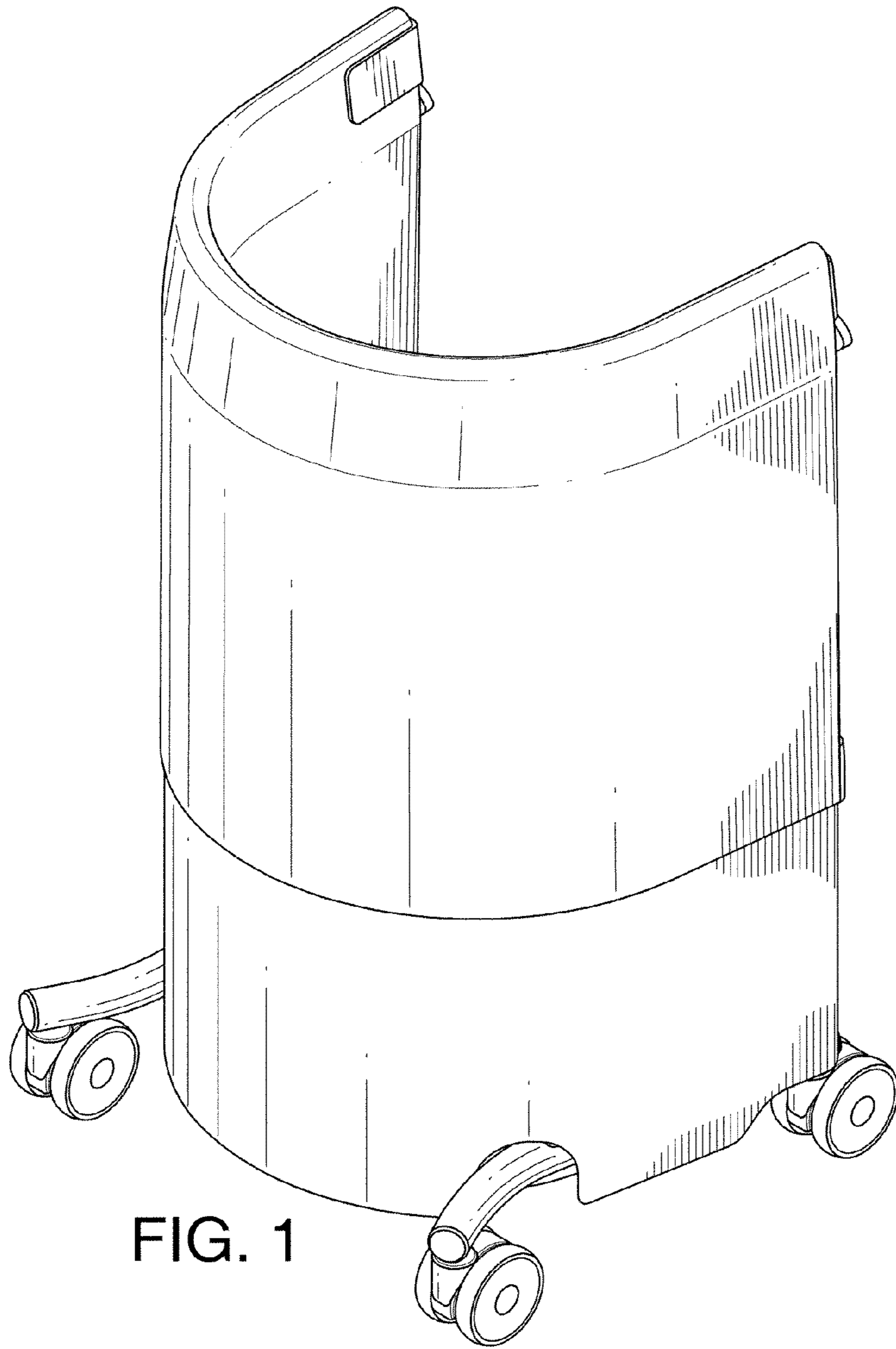


FIG. 1

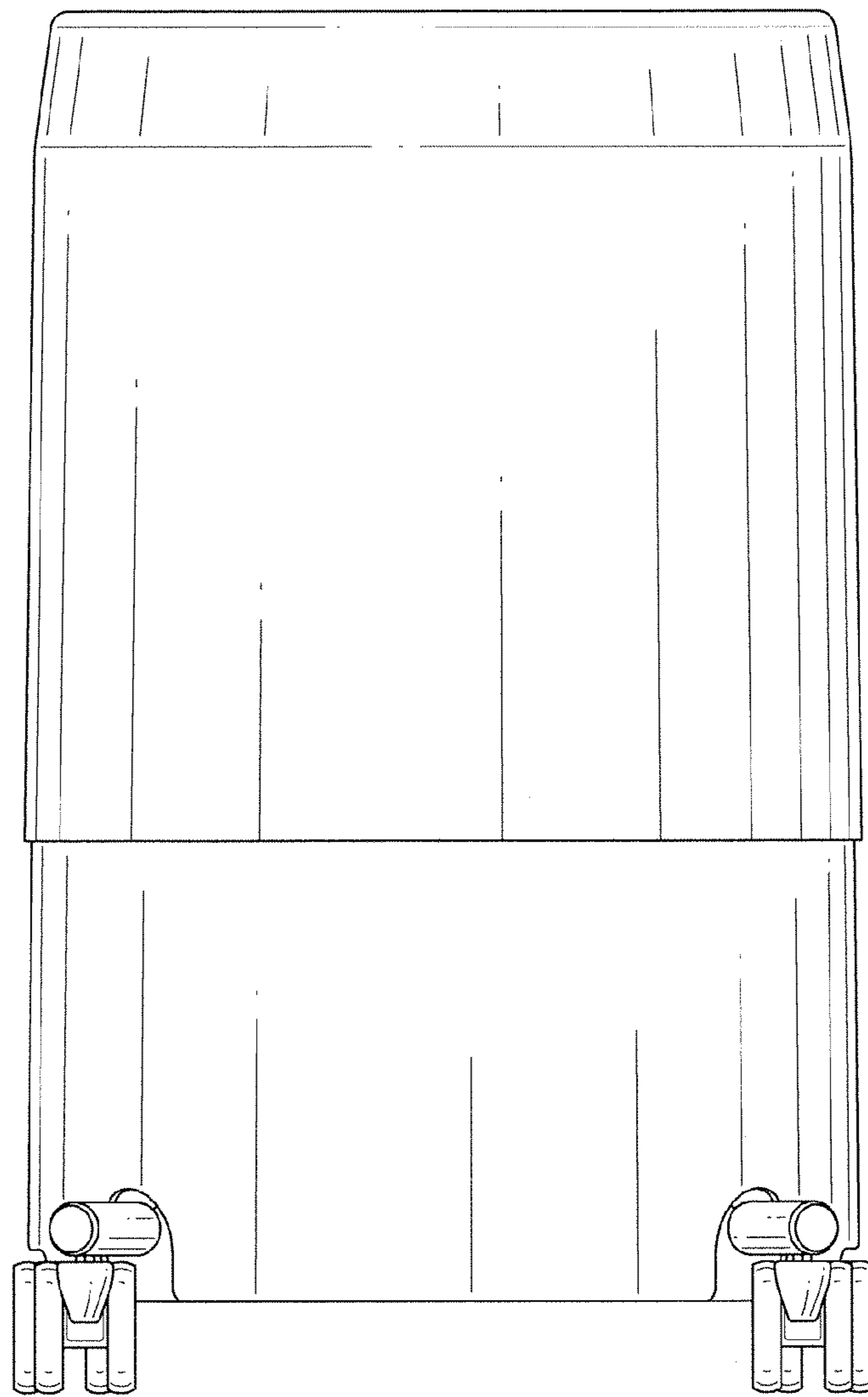


FIG. 2

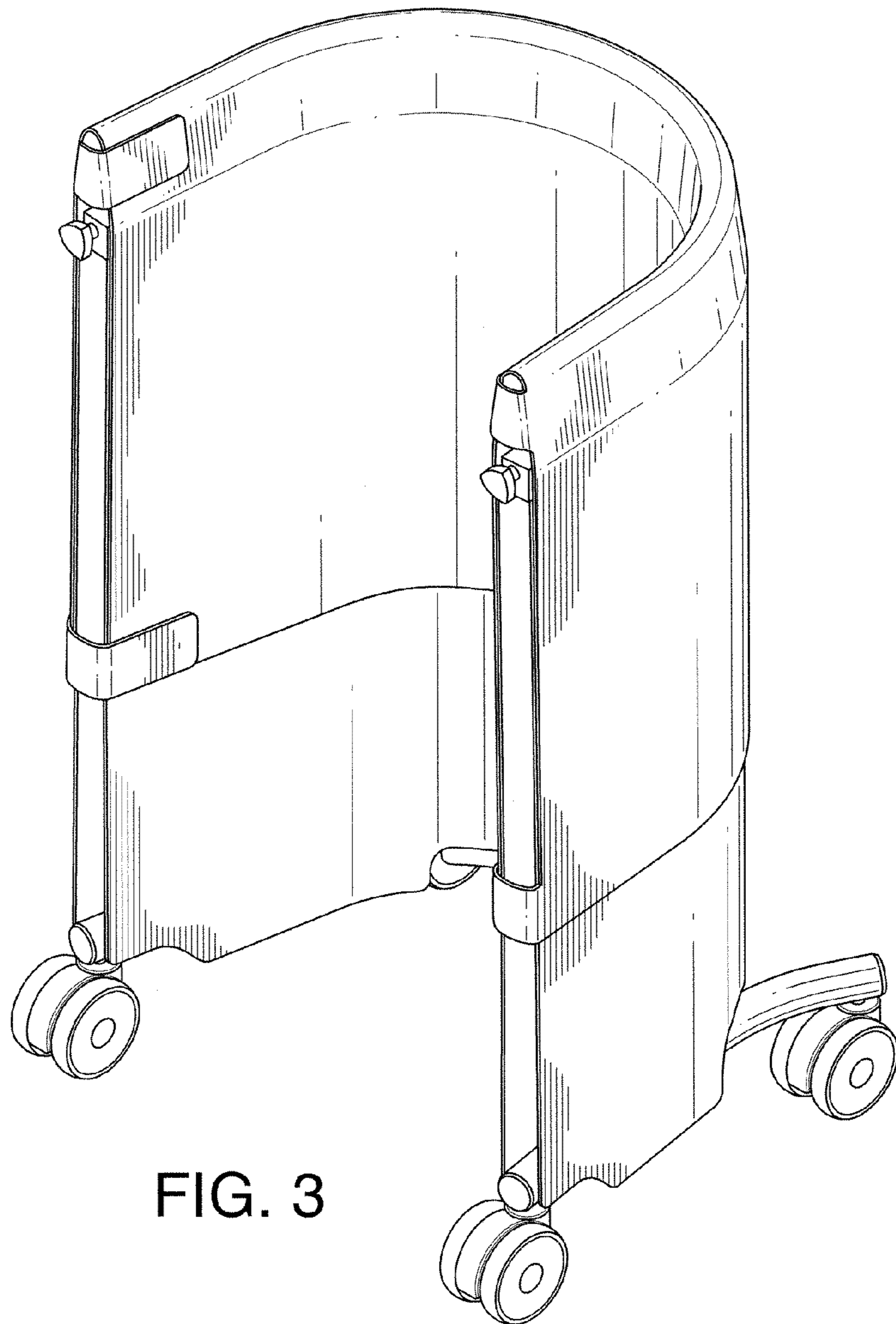


FIG. 3

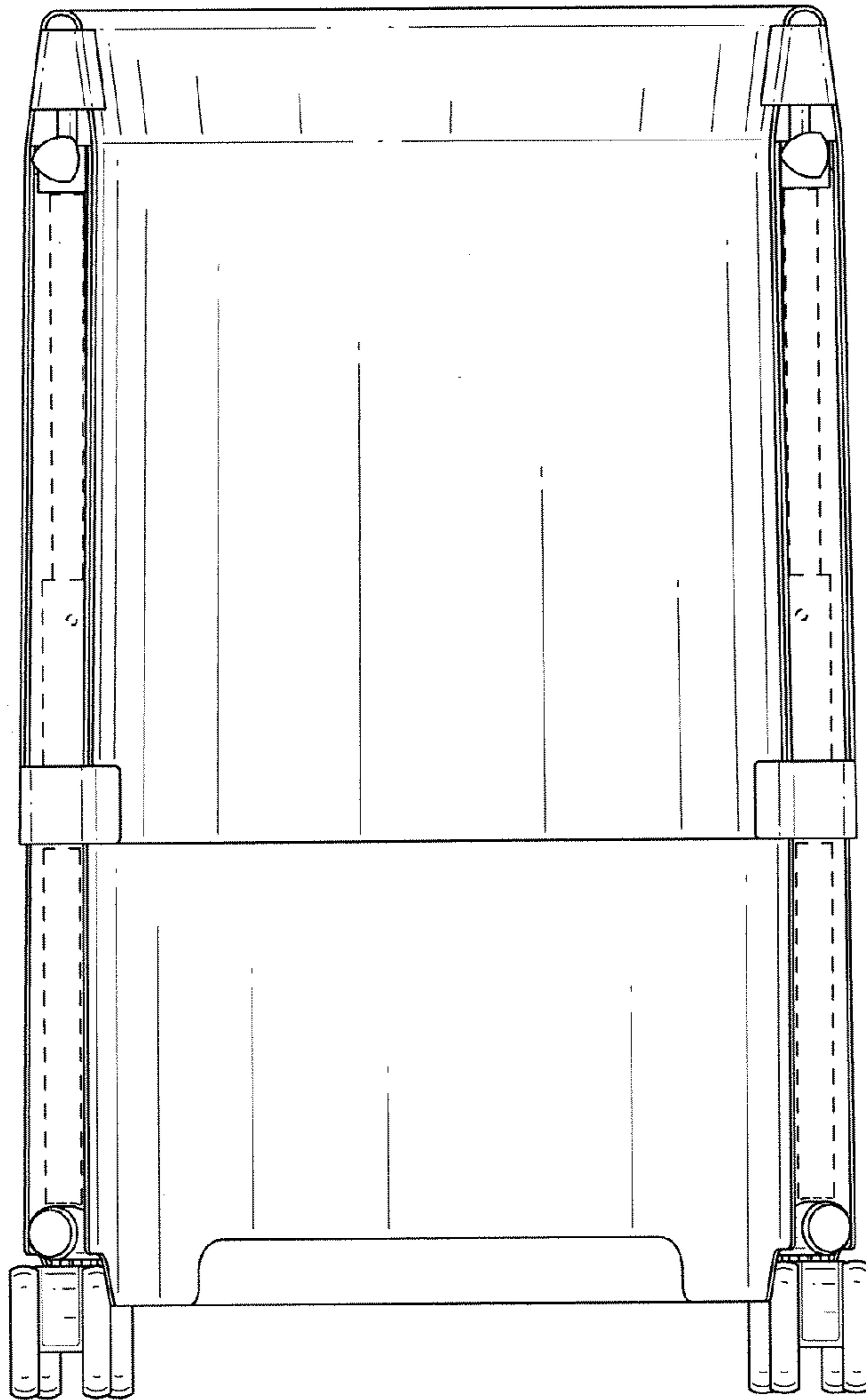


FIG. 4