



US00D754347S

(12) **United States Design Patent**  
**Amato et al.**

(10) **Patent No.:** **US D754,347 S**  
(45) **Date of Patent:** **\*\* Apr. 19, 2016**

(54) **GROWTH CONTROL DEVICE**

(71) Applicant: **BIOMET MANUFACTURING, LLC**,  
Warsaw, IN (US)

(72) Inventors: **Matthew F. Amato**, Lawrenceville, NJ  
(US); **Stephen B. Walulik**, Fort Wayne,  
IN (US)

(73) Assignee: **BIOMET MANUFACTURING, LLC**,  
Warsaw, IN (US)

(\*\*) Term: **14 Years**

(21) Appl. No.: **29/492,689**

(22) Filed: **Jun. 2, 2014**

**Related U.S. Application Data**

(63) Continuation of application No. 13/483,231, filed on  
May 30, 2012, now Pat. No. 8,801,760, which is a  
continuation of application No. 12/166,833, filed on  
Jul. 2, 2008, now Pat. No. 8,273,111.

(51) **LOC (10) Cl.** ..... **24-02**

(52) **U.S. Cl.**  
USPC ..... **D24/155**

(58) **Field of Classification Search**  
USPC ..... D24/155  
CPC ..... A61B 17/8061; A61B 17/7059; A61B  
17/8052; A61B 17/8605; A61B 17/8085;  
A61B 17/809; A61B 17/8014; A61B 17/8033;  
A61B 17/8004; A61B 17/888; A61B 17/842;  
A61B 17/8023; A61B 17/8009; A61B 17/86;  
A61B 17/1739; A61B 17/8066; A61B  
17/1671; A61B 17/1757; A61B 17/8071;  
A61B 17/176; A61B 2017/1782; A61B  
2017/1775

See application file for complete search history.

(56) **References Cited**

**U.S. PATENT DOCUMENTS**

D480,141 S \* 9/2003 Benirschke ..... D24/155  
D520,637 S \* 5/2006 Kay ..... D24/155  
D630,750 S \* 1/2011 Graham ..... D24/155  
D648,027 S \* 11/2011 Vancelette ..... D24/155  
8,118,846 B2 \* 2/2012 Leither ..... A61B 17/8057  
606/280  
D699,351 S \* 2/2014 Podgorski ..... D24/155

\* cited by examiner

*Primary Examiner* — Susan Hattan

*Assistant Examiner* — Charles Hanson

(74) *Attorney, Agent, or Firm* — Schwegman Lundberg &  
Woessner, P.A.

(57) **CLAIM**

The ornamental design for a growth control device, as shown  
and described.

**DESCRIPTION**

FIG. 1 is a front perspective view of a growth control device  
in accordance with a first embodiment of the present inven-  
tion;

FIG. 2 is a top plan view of the growth control device shown  
in FIG. 1;

FIG. 3 is a right side elevation view of the growth control  
device as oriented in FIG. 2, the left side elevational view  
being a mirror image thereof;

FIG. 4 is a bottom plan view of the growth control device  
shown in FIG. 1;

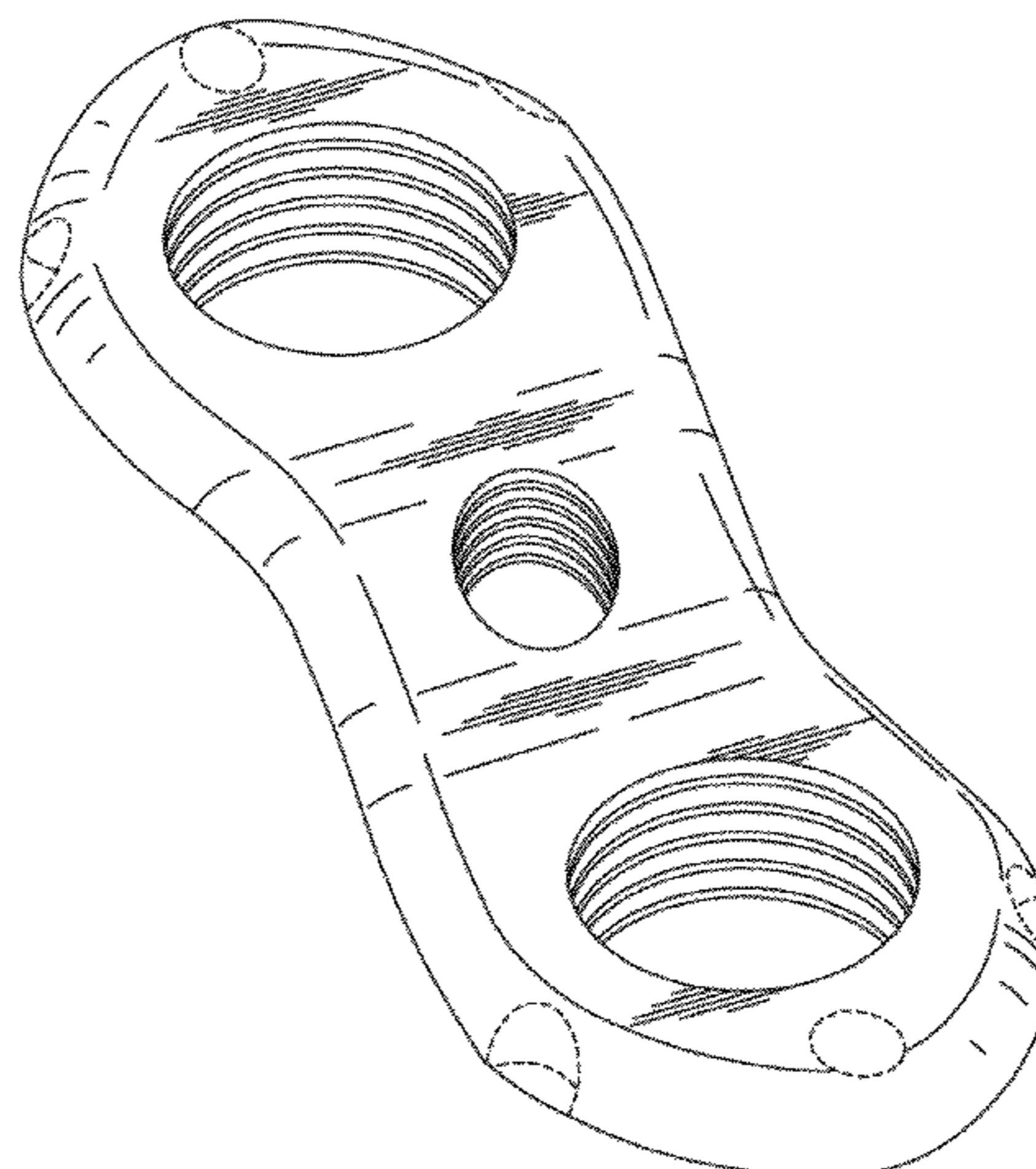
FIG. 5 is a right side elevation view of the growth control  
device as oriented in FIG. 4, the left side elevational view  
being a mirror image thereof;

FIG. 6 is a front end elevation view of the growth control  
device shown in FIG. 1; and,

FIG. 7 is a rear end elevation view of the growth control  
device shown in FIG. 1.

It will be understood that the broken lines shown in FIGS. 1-7  
illustrate structure associated with the present invention but  
form no part of the claimed design.

**1 Claim, 4 Drawing Sheets**



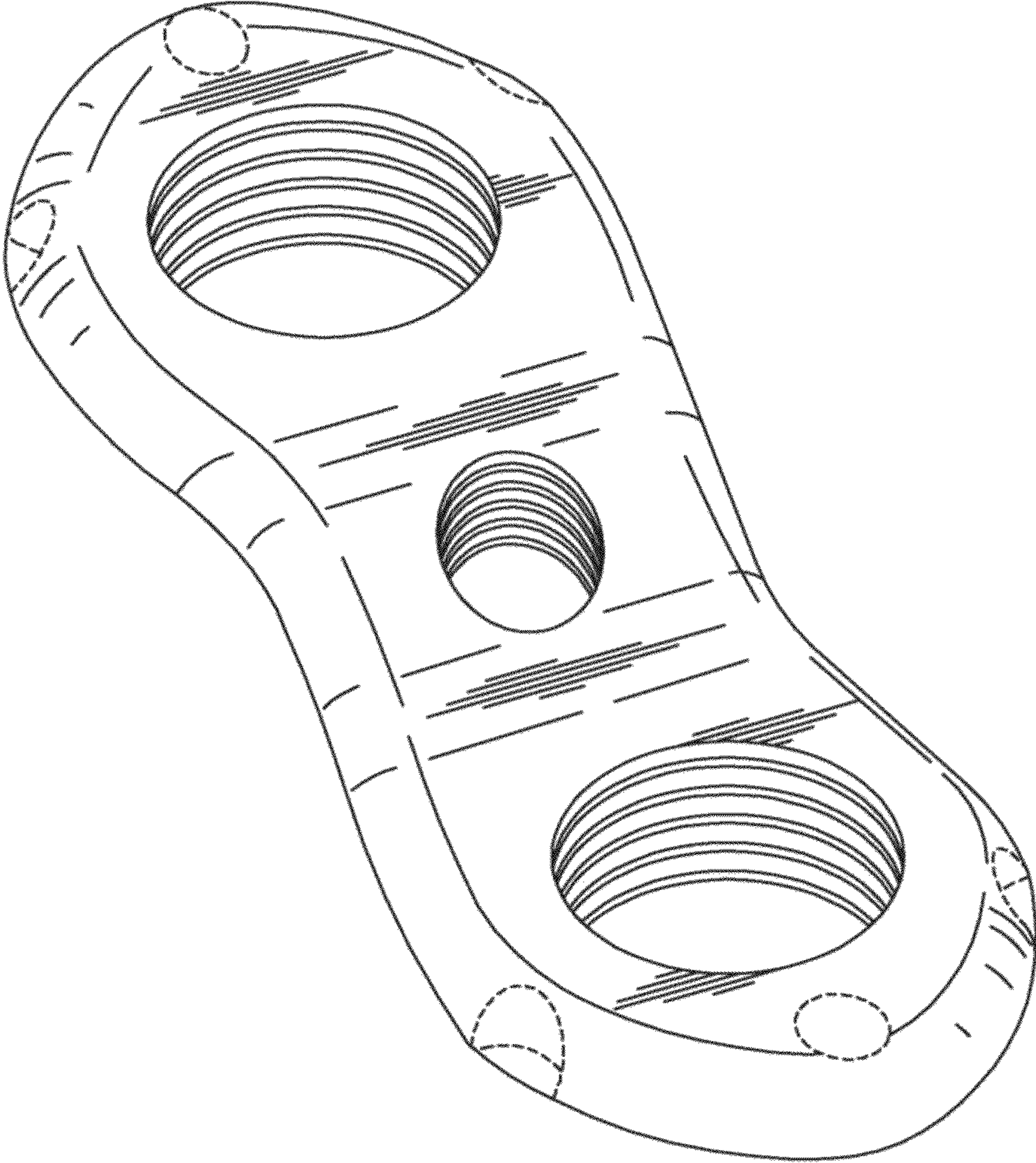


FIG 1

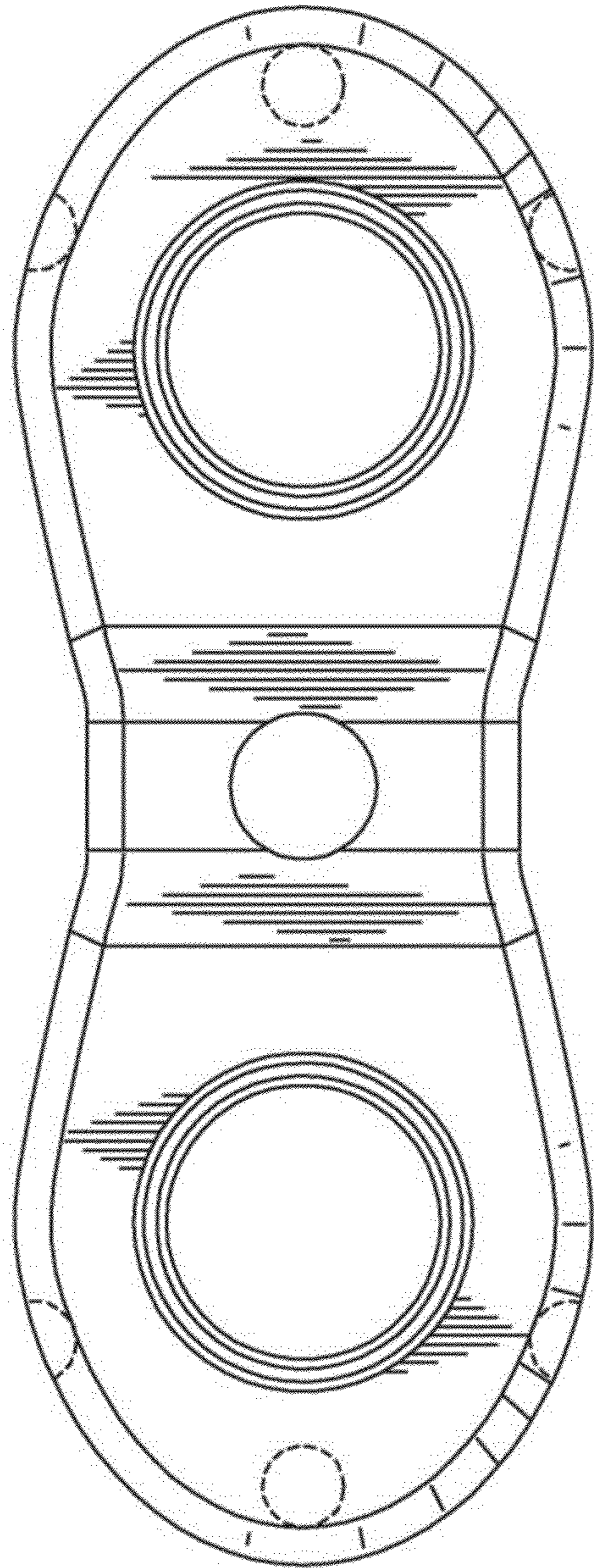


FIG 2

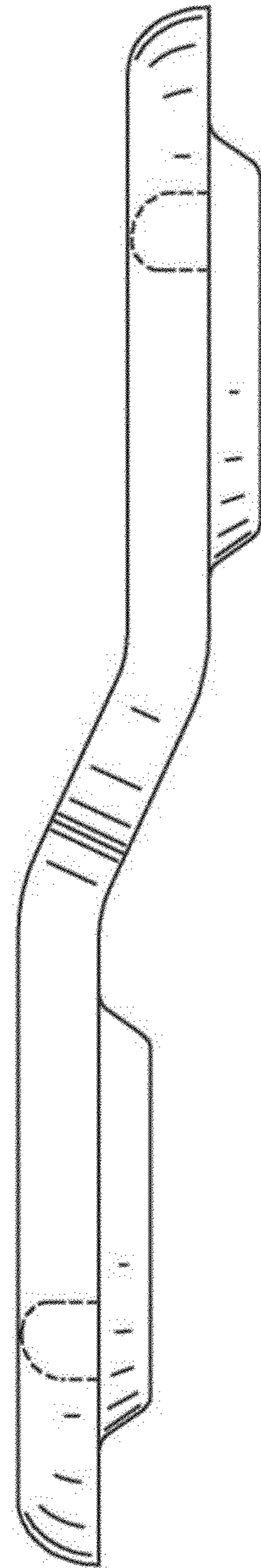


FIG 3

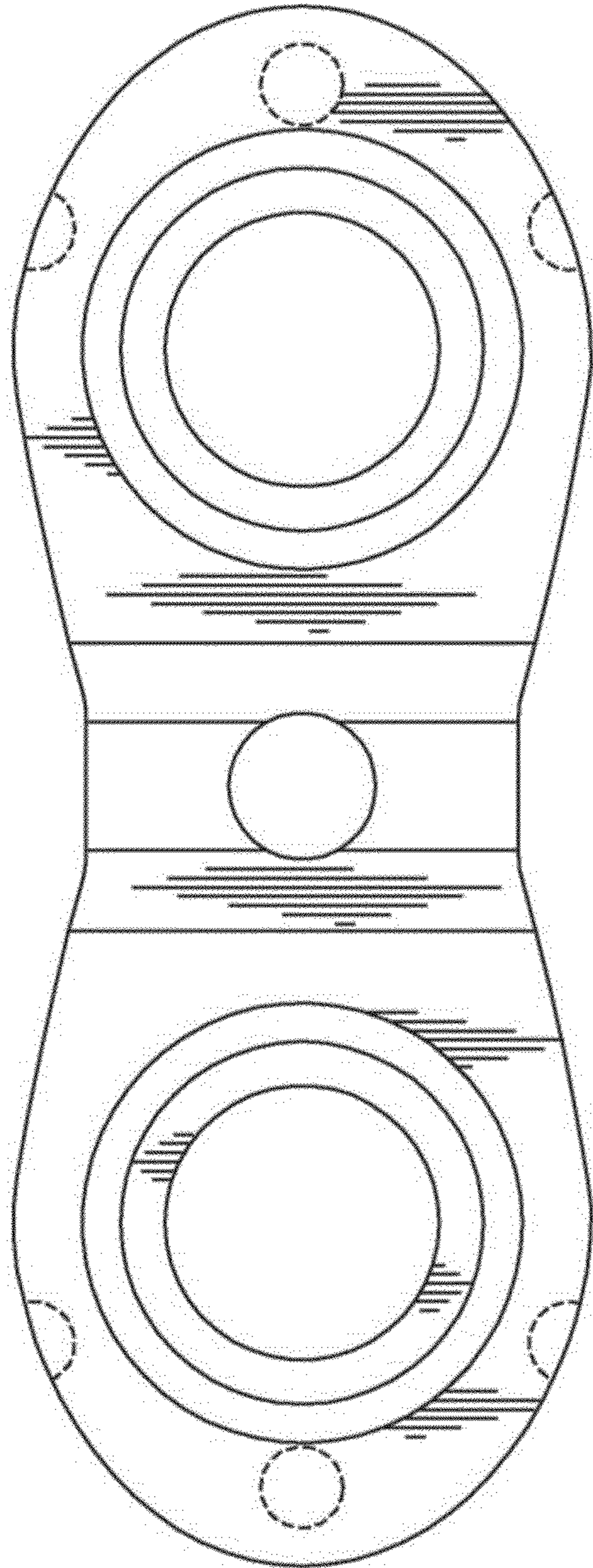


FIG 4

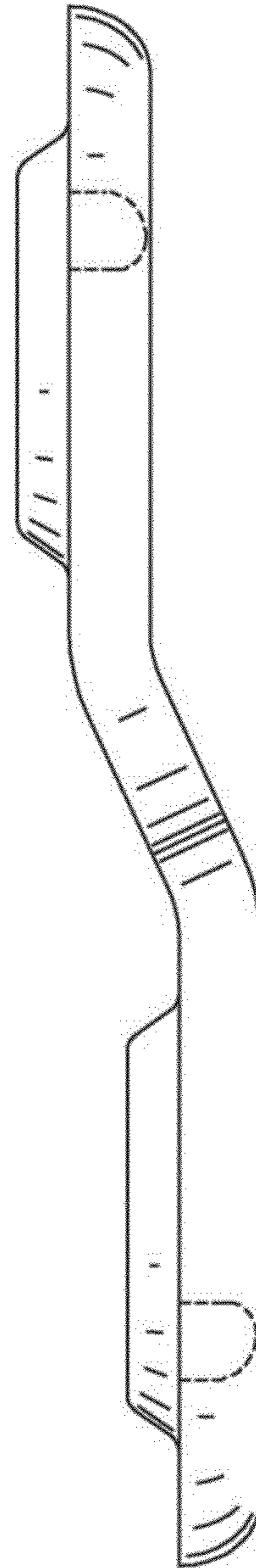


FIG 5

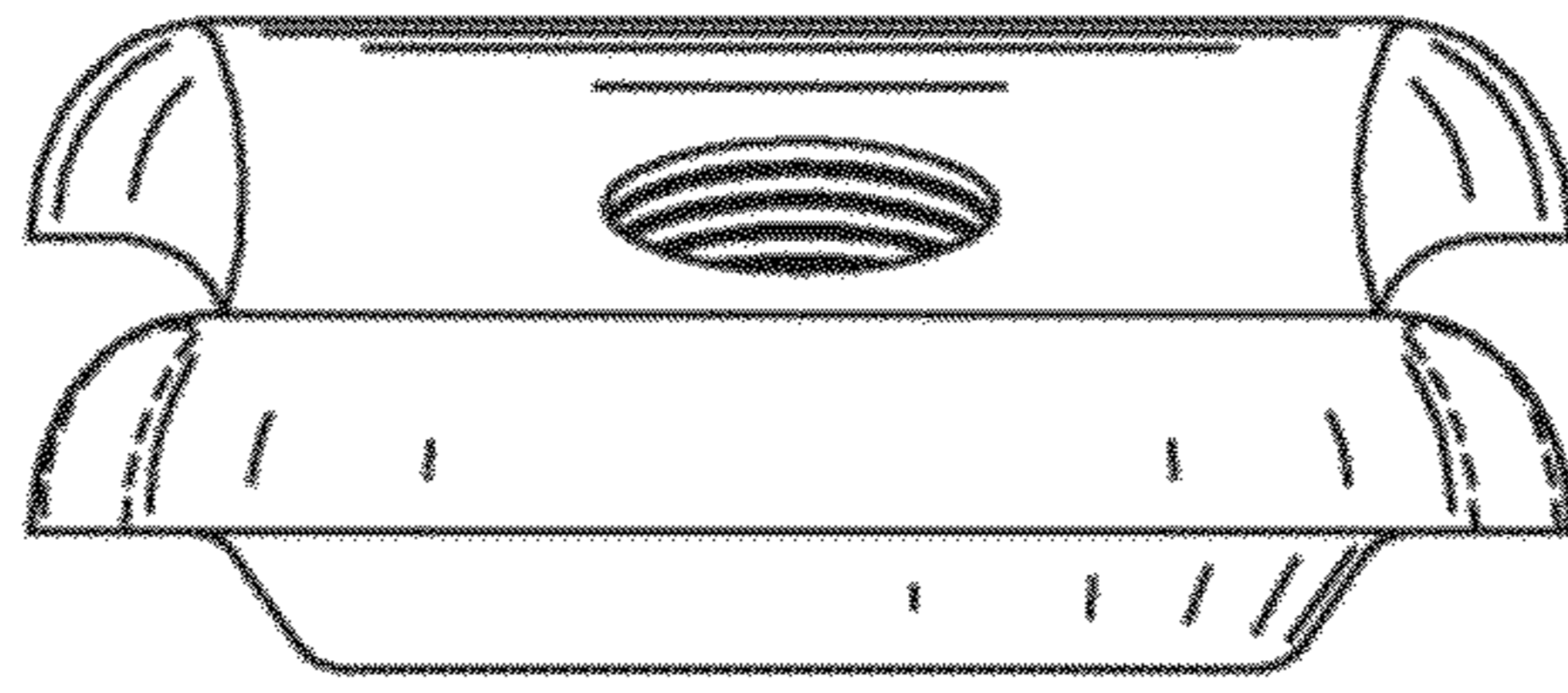


FIG 6

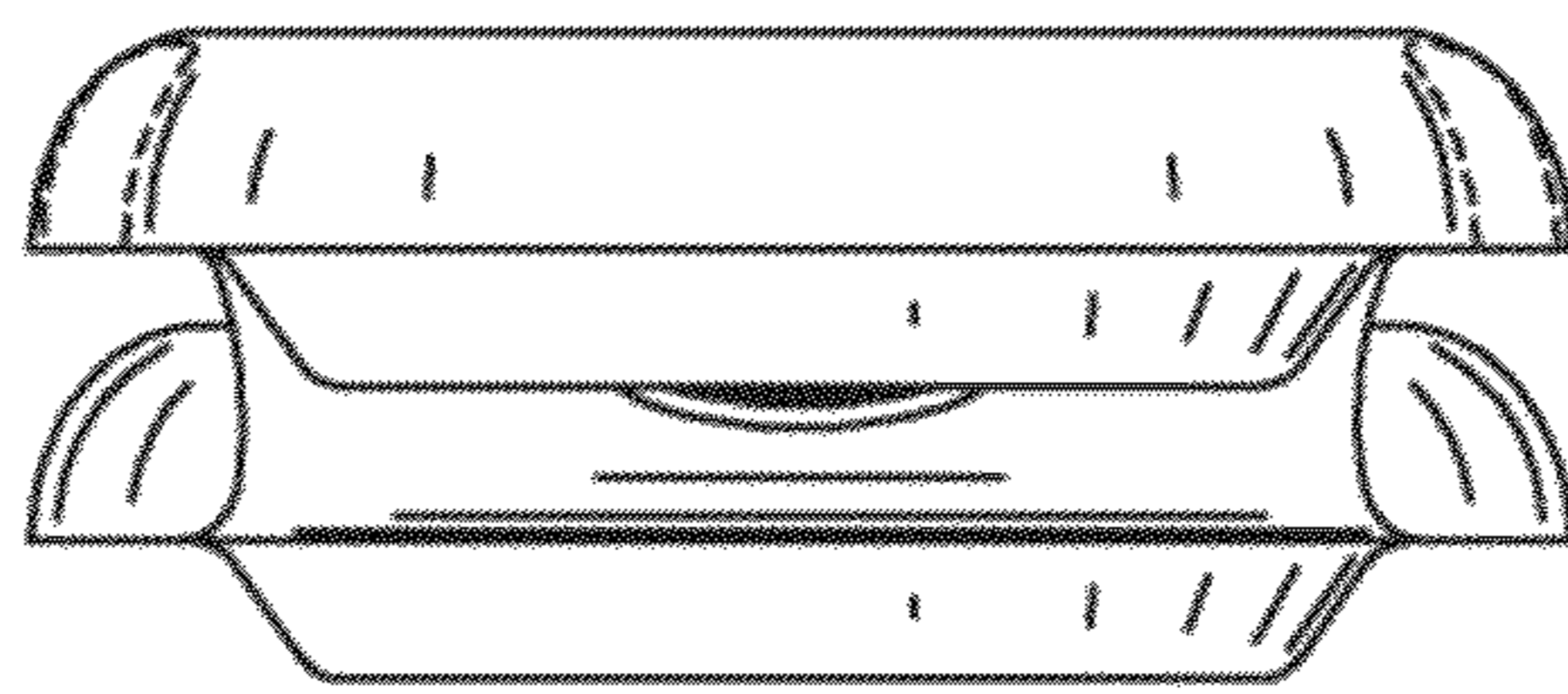


FIG 7