



US00D754346S

(12) **United States Design Patent**
Pimenta et al.

(10) **Patent No.:** **US D754,346 S**
(45) **Date of Patent:** **** Apr. 19, 2016**

- (54) **SPINAL FUSION IMPLANT**
- (71) Applicant: **NuVasive, Inc.**, San Diego, CA (US)
- (72) Inventors: **Luiz Pimenta**, Sao Paulo (BR); **Patrick Miles**, San Diego, CA (US); **Benjamin VerHage**, New York, NY (US); **Nathan Lovell**, Oceanside, CA (US)

- 3,867,728 A 2/1975 Stubstad et al.
- 4,026,304 A 5/1977 Levy
- 4,026,305 A 5/1977 Brownlee et al.
- 4,349,921 A 9/1982 Kuntz
- 4,454,374 A 6/1984 Pollack

(Continued)

FOREIGN PATENT DOCUMENTS

- (73) Assignee: **NuVasive, Inc.**, San Diego, CA (US)
- (**) Term: **14 Years**

- CA 2015507 1/1999
- EP 369603 5/1990

(Continued)

OTHER PUBLICATIONS

- (21) Appl. No.: **29/479,802**
- (22) Filed: **Jan. 20, 2014**

Alleyne, Cargill, H., et al., "Current and future approaches to lumbar disc surgery: A literature review", *Medscape Orthopedics & Sports Medicine*, 1, [www.medscape.com/Medscape/OrthoSportsMed/1997/v01.n11/.../mos3057], (1997).

(Continued)

Related U.S. Application Data

- (63) Continuation of application No. 12/396,458, filed on Mar. 2, 2009, now abandoned.
- (51) **LOC (10) Cl.** **24-02**
- (52) **U.S. Cl.**
USPC **D24/155**
- (58) **Field of Classification Search**
USPC D24/155
CPC A61F 2/4611; A61F 2/442; A61F 2/447; A61F 2220/0025; A61F 2310/00023; A61F 2310/00017; A61F 2002/4475; A61F 2002/30841; A61F 2002/2835; A61F 2002/30904; A61F 2002/30785; A61F 2002/443; A61F 2002/30578
See application file for complete search history.

Primary Examiner — Susan Bennett Hattan

Assistant Examiner — Charles Hanson

(74) *Attorney, Agent, or Firm* — Jonathan Spangler; Jennifer Russell

(57) **CLAIM**

The ornamental design for a spinal fusion implant, substantially as shown and described.

DESCRIPTION

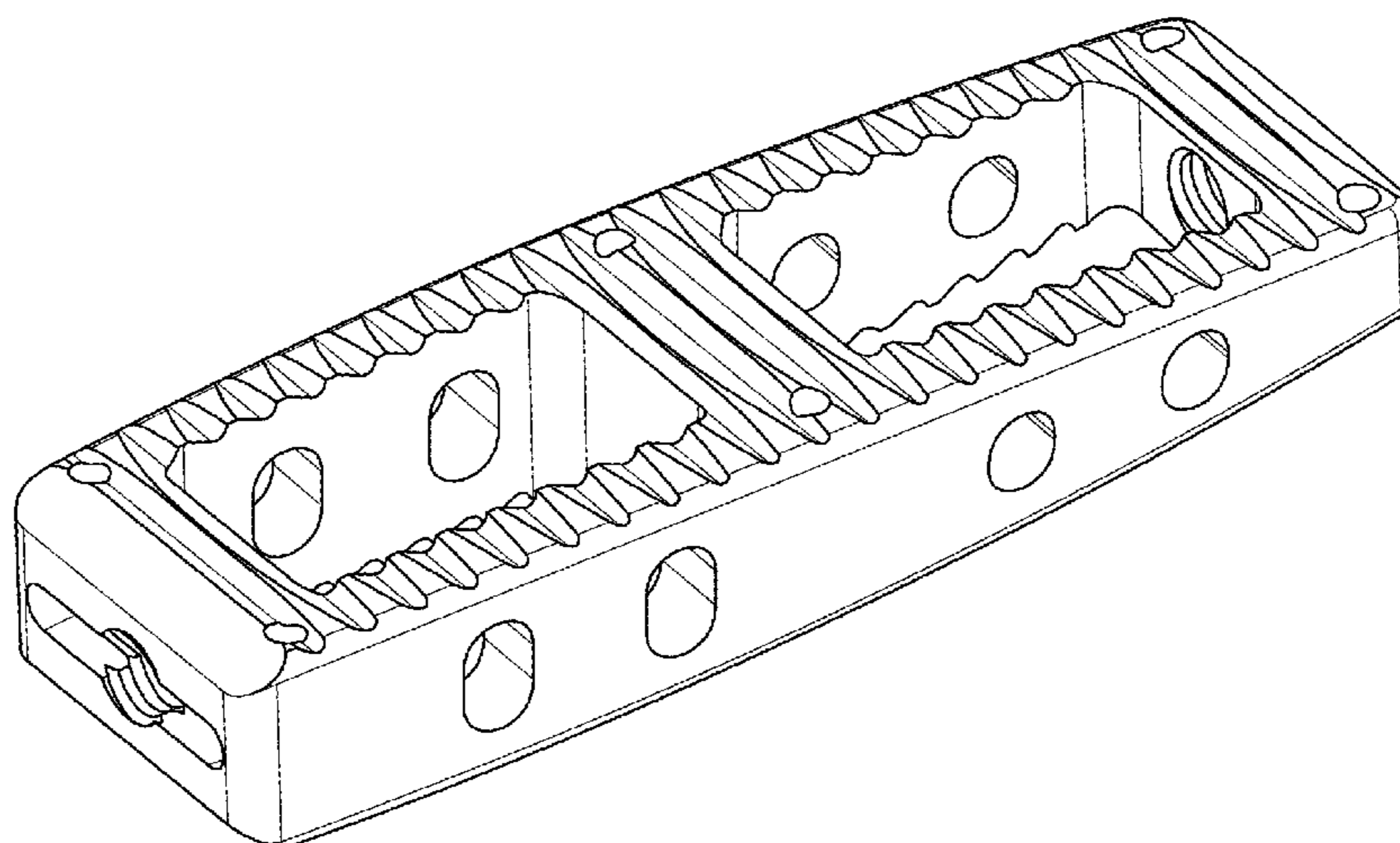
FIG. 1 is a perspective view of a spinal fusion implant showing our new design; FIG. 2 is a top view of the spinal fusion implant of FIG. 1; FIG. 3 is a first side view of the spinal fusion implant of FIG. 1; FIG. 4 is a first end view of the spinal fusion implant of FIG. 1; and, FIG. 5 is a second side view of the spinal fusion implant of FIG. 1.

(56) **References Cited**

U.S. PATENT DOCUMENTS

- 3,486,505 A 12/1969 Morrison
- 3,518,993 A 7/1970 Blake
- 3,604,487 A 9/1971 Gilbert
- 3,745,995 A 7/1973 Kraus
- 3,848,601 A 11/1974 Ma et al.

1 Claim, 3 Drawing Sheets



(56)

References Cited

U.S. PATENT DOCUMENTS

4,501,269 A	2/1985	Bagby	5,653,762 A	8/1997	Pisharodi
4,545,374 A	10/1985	Jacobson	5,658,336 A	8/1997	Pisdharodi
4,646,738 A	3/1987	Trott	5,658,337 A	8/1997	Kohrs et al.
4,657,550 A	4/1987	Daher	5,662,710 A	9/1997	Bonutti
4,743,256 A	5/1988	Brantigan	5,665,122 A	9/1997	Kambin
4,781,591 A	11/1988	Allen	5,669,909 A	9/1997	Zdeblick et al.
4,834,757 A	5/1989	Brantigan	5,676,703 A	10/1997	Gelbard
4,877,020 A	10/1989	Vich	5,683,394 A	11/1997	Rinner
4,878,915 A	11/1989	Brantigan	5,683,400 A	11/1997	McGuire
4,932,975 A	6/1990	Main et al.	5,683,464 A	11/1997	Wagner et al.
4,950,296 A	8/1990	McIntyre	5,690,629 A	11/1997	Asher et al.
4,961,740 A	10/1990	Ray et al.	5,700,264 A	12/1997	Zucherman et al.
4,962,766 A	10/1990	Herzon	5,700,291 A	12/1997	Kuslich et al.
5,015,247 A	5/1991	Michelson	5,700,292 A	12/1997	Marguiles
5,026,373 A	6/1991	Ray et al.	5,702,449 A	12/1997	McKay
5,047,055 A	9/1991	Bao et al.	5,702,451 A	12/1997	Biedermann et al.
5,055,104 A	10/1991	Ray	5,702,453 A	12/1997	Rabbe et al.
5,062,845 A	11/1991	Kuslich et al.	5,702,454 A	12/1997	Baumgartner
5,071,437 A	12/1991	Steffee	5,702,455 A	12/1997	Saggar
5,092,572 A	3/1992	Litwak et al.	5,703,451 A	12/1997	Yamamichi et al.
5,133,717 A	7/1992	Chopin	5,707,373 A	1/1998	Sevrain et al.
5,133,755 A	7/1992	Brekke	5,711,957 A	1/1998	Patat et al.
5,171,278 A	12/1992	Pisharodi	5,716,415 A	2/1998	Steffee
5,192,327 A	3/1993	Brantigan	5,720,748 A	2/1998	Kuslich et al.
5,217,497 A	6/1993	Mehdian	5,720,751 A	2/1998	Jackson
5,263,953 A	11/1993	Bagby	5,728,159 A	3/1998	Stroever et al.
5,269,785 A	12/1993	Bonutti	5,741,253 A	4/1998	Michelson
5,284,153 A	2/1994	Raymond et al.	5,741,261 A	4/1998	Moskovitz et al.
5,290,494 A	3/1994	Coombes et al.	5,755,797 A	5/1998	Baumgartner
5,300,076 A	4/1994	Leriche	5,766,252 A	6/1998	Henry et al.
5,304,210 A	4/1994	Crook	5,772,661 A	6/1998	Michelson
5,306,307 A	4/1994	Senter et al.	5,775,331 A	7/1998	Raymond et al.
5,306,309 A	4/1994	Wagner et al.	5,775,797 A	7/1998	Henstra
5,322,505 A	6/1994	Krause et al.	5,779,642 A	7/1998	Nightengale
5,334,205 A	8/1994	Cain	5,782,830 A	7/1998	Farris
5,336,223 A	8/1994	Rogers	5,782,919 A	7/1998	Zdeblick et al.
5,364,400 A	11/1994	Rego, Jr. et al.	5,785,710 A	7/1998	Michelson
5,395,372 A	3/1995	Holt et al.	5,797,909 A	8/1998	Michelson
5,397,363 A	3/1995	Gelbard	5,800,549 A	9/1998	Bao et al.
5,397,364 A	3/1995	Kozak	5,800,550 A	9/1998	Sertich
5,405,391 A	4/1995	Henderson et al.	5,814,084 A	9/1998	Grivas et al.
5,413,602 A	5/1995	Metz-Stavenhagen	5,814,550 A	9/1998	Wolcott
5,425,772 A	6/1995	Brantigan	5,851,084 A	12/1998	Nishikawa
5,431,658 A	7/1995	Moskovich	5,851,208 A	12/1998	Trott
5,443,514 A	8/1995	Steffee	5,860,973 A	1/1999	Michelson
5,443,515 A	8/1995	Cohen et al.	5,865,845 A	2/1999	Thalgott
5,445,639 A	8/1995	Kuslich et al.	5,865,848 A	2/1999	Baker
5,454,811 A	10/1995	Huebner	5,885,299 A	3/1999	Winslow et al.
5,458,638 A	10/1995	Kuslich et al.	5,888,219 A	3/1999	Bonutti
5,484,403 A	1/1996	Yoakum et al.	5,888,224 A	3/1999	Beckers et al.
5,484,437 A	1/1996	Michelson	5,893,890 A	4/1999	Pisharodi
5,489,307 A	2/1996	Kuslich et al.	5,904,719 A	5/1999	Errico et al.
5,489,308 A	2/1996	Kuslich et al.	5,910,315 A	6/1999	Stevenson et al.
5,514,180 A	5/1996	Heggeness et al.	5,942,698 A	8/1999	Stevens
5,522,879 A	6/1996	Scopelianos	5,954,769 A	9/1999	Rosenlicht
5,522,899 A	6/1996	Michelson	5,968,098 A	10/1999	Winslow
5,524,624 A	6/1996	Tepper et al.	5,993,474 A	11/1999	Ouchi
5,527,312 A	6/1996	Ray	6,003,426 A	12/1999	Kobayashi et al.
5,534,030 A	7/1996	Navarro et al.	6,004,326 A	12/1999	Castro et al.
5,540,688 A	7/1996	Navas	6,008,433 A	12/1999	Stone
5,545,222 A	8/1996	Bonutti	6,015,436 A	1/2000	Schunhuffer
5,545,688 A	8/1996	Huang	6,033,405 A	3/2000	Winslow et al.
5,562,736 A	10/1996	Ray et al.	6,033,438 A	3/2000	Bianchi et al.
5,565,005 A	10/1996	Erickson et al.	6,039,761 A	3/2000	Li et al.
5,571,190 A	11/1996	Ulrich	6,042,582 A	3/2000	Ray
5,571,192 A	11/1996	Schonhoffer	6,045,580 A	4/2000	Scarborough et al.
5,593,409 A	1/1997	Michelson	6,045,582 A	4/2000	Prybyla
5,607,424 A	3/1997	Tropiano	6,048,342 A	4/2000	Zucherman et al.
5,609,636 A	3/1997	Kohrs et al.	6,059,829 A	5/2000	Schlapfer et al.
5,611,800 A	3/1997	Davis et al.	6,063,088 A	5/2000	Winslow
5,611,810 A	3/1997	Arnold et al.	6,080,155 A	6/2000	Michelson
5,632,747 A	5/1997	Scarborough et al.	6,083,225 A	7/2000	Winslow et al.
5,645,596 A	7/1997	Kim et al.	6,096,080 A	8/2000	Nicholson et al.
5,645,598 A	7/1997	Brosnahan et al.	6,102,948 A	8/2000	Brosnahan, III
5,653,761 A	8/1997	Pisharodi	6,120,503 A	9/2000	Michelson
			6,120,506 A	9/2000	Kohrs et al.
			6,132,472 A	10/2000	Bonutti
			6,143,033 A	11/2000	Paul et al.
			6,159,211 A	12/2000	Boriani et al.

(56)

References Cited

U.S. PATENT DOCUMENTS

6,159,215 A 12/2000 Urbahns et al.
 6,193,756 B1 2/2001 Studer et al.
 6,200,347 B1 3/2001 Anderson
 6,224,607 B1 5/2001 Michelson
 6,224,631 B1 5/2001 Kohrs
 6,241,769 B1 6/2001 Nicholson et al.
 6,241,770 B1 6/2001 Michelson
 6,241,771 B1 6/2001 Gresser et al.
 6,251,140 B1 6/2001 Marino et al.
 6,258,125 B1 7/2001 Paul et al.
 6,277,149 B1 8/2001 Boyle et al.
 6,304,487 B1 10/2001 Pawletko et al.
 6,319,257 B1 11/2001 Carignan et al.
 6,371,989 B1 4/2002 Chauvin et al.
 6,383,221 B1 5/2002 Scarborough et al.
 6,409,766 B1 6/2002 Brett
 6,425,772 B1 7/2002 Bernier et al.
 6,426,772 B1 7/2002 Yoneyama et al.
 6,432,140 B1 8/2002 Lin
 6,440,142 B1 8/2002 Ralph et al.
 6,442,814 B1 9/2002 Landry et al.
 6,447,547 B1 9/2002 Michelson
 6,454,806 B1 9/2002 Cohen et al.
 6,468,311 B2 10/2002 Boyd et al.
 6,491,724 B1 12/2002 Ferree
 6,527,773 B1 3/2003 Lin et al.
 D472,634 S 4/2003 Anderson
 D473,650 S 4/2003 Anderson
 6,547,823 B2 4/2003 Scarborough et al.
 6,562,072 B1 5/2003 Fuss et al.
 6,595,998 B2 7/2003 Johnson et al.
 6,599,294 B2 7/2003 Fuss et al.
 6,626,905 B1 9/2003 Schmiel et al.
 6,635,086 B2 10/2003 Lin
 6,648,895 B2 11/2003 Burkus et al.
 6,672,019 B1 1/2004 Wenz
 6,676,703 B2 1/2004 Biscup
 6,706,067 B2 3/2004 Shimp et al.
 6,723,097 B2 4/2004 Fraser et al.
 6,743,255 B2 6/2004 Ferree
 6,746,484 B1 6/2004 Liu et al.
 6,755,841 B2 6/2004 Fraser et al.
 6,761,739 B2 7/2004 Shepard
 6,824,564 B2 11/2004 Crozet
 6,830,570 B1 12/2004 Frey et al.
 D503,801 S 4/2005 Jackson
 6,923,814 B1 8/2005 Hildebrand et al.
 6,942,698 B1 9/2005 Jackson
 6,964,687 B1 11/2005 Bernard et al.
 6,974,480 B2 12/2005 Messerli et al.
 6,979,353 B2 12/2005 Bresina
 6,984,245 B2 1/2006 McGahan et al.
 6,986,788 B2 1/2006 Paul et al.
 6,989,031 B2 1/2006 Michelson
 7,018,416 B2 3/2006 Hanson et al.
 D530,423 S 10/2006 Miles et al.
 7,125,425 B2 10/2006 Foley et al.
 7,192,447 B2 3/2007 Rhoda
 7,244,258 B2 7/2007 Burkus et al.
 7,303,583 B1 12/2007 Schaer et al.
 7,326,251 B2 2/2008 McCombe et al.
 D594,986 S * 6/2009 Miles et al. D24/155
 D621,509 S * 8/2010 Lovell D24/155
 7,867,277 B1 1/2011 Tohmeh
 7,951,203 B2 5/2011 McCombe et al.
 8,021,430 B2 9/2011 Michelson
 8,187,334 B2 5/2012 Curran et al.
 8,246,686 B1 8/2012 Curran et al.
 8,251,997 B2 8/2012 Michelson
 D671,645 S * 11/2012 Curran et al. D24/155
 D674,092 S * 1/2013 Lovell D24/155
 D675,320 S * 1/2013 Oi D24/155
 8,361,156 B2 1/2013 Curran et al.
 8,425,612 B2 4/2013 Perez-Cruet et al.
 8,506,630 B2 8/2013 Wardlaw

8,506,636 B2 8/2013 Dye
 8,574,301 B2 11/2013 Curran et al.
 8,579,909 B2 11/2013 Burkus et al.
 8,591,589 B2 11/2013 McCombe et al.
 D696,402 S * 12/2013 Oi D24/155
 8,608,804 B2 12/2013 Curran et al.
 D721,808 S * 1/2015 Oi D24/155
 2001/0016741 A1 8/2001 Burkus et al.
 2002/0019637 A1 2/2002 Frey et al.
 2002/0058950 A1 5/2002 Winterbottom et al.
 2002/0068936 A1 6/2002 Burkus et al.
 2002/0116008 A1 8/2002 Lin et al.
 2002/0165550 A1 11/2002 Frey et al.
 2003/0023306 A1 1/2003 Liu et al.
 2003/0028249 A1 2/2003 Baccelli et al.
 2003/0100950 A1 5/2003 Moret
 2003/0105528 A1 * 6/2003 Shimp et al. 623/17.16
 2003/0109928 A1 6/2003 Pasquet et al.
 2003/0139812 A1 7/2003 Garcia et al.
 2003/0139813 A1 7/2003 Messerli
 2003/0149438 A1 8/2003 Nichols et al.
 2004/0024408 A1 2/2004 Burkus et al.
 2004/0153155 A1 8/2004 Chung et al.
 2004/0176775 A1 9/2004 Burkus et al.
 2004/0199251 A1 10/2004 McCombe et al.
 2005/0059971 A1 3/2005 Michelson
 2005/0187625 A1 8/2005 Wolek et al.
 2005/0197702 A1 9/2005 Coppes et al.
 2005/0203538 A1 9/2005 Lo et al.
 2006/0074488 A1 4/2006 Abdou
 2006/0142864 A1 6/2006 Cauthen
 2007/0179612 A1 8/2007 Johnson et al.
 2007/0191945 A1 8/2007 Yu et al.
 2007/0276499 A1 11/2007 Paul et al.
 2007/0288007 A1 12/2007 Burkus et al.
 2008/0015701 A1 1/2008 Garcia et al.
 2008/0058838 A1 3/2008 Steinberg
 2008/0065219 A1 3/2008 Dye
 2008/0119937 A1 5/2008 McCombe et al.
 2009/0222099 A1 9/2009 Liu et al.
 2010/0106250 A1 4/2010 Abdou
 2011/0112642 A1 5/2011 Tohmeh
 2011/0196496 A1 8/2011 McCombe et al.
 2012/0078374 A1 3/2012 Villiers et al.
 2012/0158141 A1 6/2012 Johnson et al.
 2012/0179261 A1 7/2012 Soo
 2012/0209388 A1 8/2012 Curran et al.
 2012/0215317 A1 8/2012 Curran et al.
 2013/0006363 A1 1/2013 Ullrich et al.
 2013/0138216 A1 5/2013 Curran et al.
 2013/0144390 A1 6/2013 Curran et al.
 2013/0245771 A1 9/2013 Michelson

FOREIGN PATENT DOCUMENTS

EP 517030 5/1992
 EP 667127 8/1995
 EP 706876 4/1996
 EP 716840 6/1996
 EP 737448 10/1996
 EP 796593 9/1997
 EP 880938 2/1998
 EP 809974 4/1998
 EP 809975 4/1998
 EP 811356 4/1998
 WO 90/00037 1/1990
 WO 91/06261 5/1991
 WO 92/14423 9/1992
 WO 93/01771 2/1993
 WO 94/04100 3/1994
 WO 94/10928 5/1994
 WO 95/01810 1/1995
 WO 95/08306 3/1995
 WO 96/08205 3/1996
 WO 96/17564 3/1996
 WO 96/41582 12/1996
 WO 97/20513 6/1997
 WO 97/33525 9/1997
 WO 97/37620 10/1997

(56)

References Cited

FOREIGN PATENT DOCUMENTS

WO	98/09586	3/1998
WO	98/14142	4/1998
WO	98/17208	4/1998
WO	98/25539	6/1998
WO	99/08627	2/1999
WO	99/38461	8/1999
WO	00/44288	8/2000
WO	00/45712	8/2000
WO	00/45713	8/2000
WO	01/41681	6/2001
WO	01/49333	7/2001

OTHER PUBLICATIONS

Baulot, et al., "Complementary anterior spondylodesis by thoracoscopy. Technical note regarding an observation", *Lyon Surg.*, 90(5):347-351 (1994).

Benini, et al., "Undercutting decompression and posterior fusion with translaminar facet screw fixation in degenerative lumbar spinal stenosis: Technique and results", *Neuro-Orthopedics*, 17/18, 159-172 (1995).

Berry, et al., "A morphometric study of human lumbar and selected thoracic vertebrae, study of selected vertebrae" *Spine* 12(4):362-367 (1996).

CoRoent® XL & XLR Marketing Brochure (9004225 B.0), *NuVasive, Inc.*, 2006, 2 pages.

CoRoent® XL & XLR Marketing Brochure (9004225 C.0), *NuVasive, Inc.*, 2007, 2 pages.

CoRoent® XL Marketing Brochure (9500039 A.0), *NuVasive, Inc.*, 2006, 8 pages.

CoRoent™ Marketing Brochure (9004001 A.0), *NuVasive, Inc.*, 2004, 2 pages.

CoRoent™ Marketing Brochure (9004001 C.0), *NuVasive, Inc.*, 2005, 2 pages.

CoRoent™ XL & XLR Marketing Brochure (9004225 A.0), *NuVasive, Inc.*, 2005, 2 pages.

Counterclaim Defendants' Corrected Amended Invalidity Contentions re U.S. Pat. Nos. 8,000,782; 8,005,535; 8,016,767; 8,192,356; 8,187,334; 8,361,156, D652,922; D666,294 re Case No. 3:12-cv-02738-CAB(MDD), dated Aug. 19, 2013, 30 pages.

Crock, H. V., "A Short Practice of Spinal Surgery", Second, revised edition, published by Springer-Verlag/Wein, New York (1993).

Crock, H. V., "Anterior Lumbar Interbody Fusion" *Clinical Orthopaedics & Related Research*, Marshall R. Urist, Editor-in-Chief, J. B. Lippincott Company (1982).

Declaration of Mary Phelps Regarding Telamon Verte-Stack PEEK Vertebral Body Spacer, dated Aug. 13, 2013, 9 pages.

Declaration of Richard A. Hynes, M.D. Regarding U.S. Pat. No. 8,187,334, dated Aug. 14, 2013, 74 pages.

Declaration of Richard A. Hynes, M.D. Regarding U.S. Pat. No. 8,361,156, dated Aug. 14, 2013, 74 pages.

Declaration of Steven D. DeRidder regarding U.S. Patent Application Publication No. 2002/0165550, Jul. 30, 2013, 5 pages.

Edeland, H.G., "Some additional suggestions for an intervertebral disc prosthesis", *Journal of Biomedical Engineering*, 7:57-62 (1985).

Kambin, et al., "History and current status of percutaneous arthroscopic disc surgery", *Spine*, 21(24S):57S-61S (1996).

Kemp, H. B. S., "Anterior fusion of the spine for infective lesions in adults", *Journal of Bone & Joint Surgery*, 55B(4):715-734 (1973).

Medtronic Sofamor Danek USA, Inc. "Boomerang I Verte-Stack PEEK Vertebral Body Brochure," 2003, 6 pages.

Medtronic Sofamor Danek USA, Inc. "Boomerang I Verte-Stack PEEK Vertebral Body Spacer Implant," Apr. 26, 2001, 8 pages.

Medtronic Sofamor Danek USA, Inc. "Boomerang II Verte-Stack PEEK Vertebral Body Spacer Brochure," 2004, 4 pages.

Medtronic Sofamor Danek USA, Inc. "Boomerang II Verte-Stack PEEK Vertebral Body Spacer Implant," Dec. 17, 2003, 9 pages.

Medtronic Sofamor Danek USA, Inc. "Boomerang Prototype Verte-Stack PEEK Vertebral Body Spacer Implant," May 7, 2000, 8 pages.

Medtronic Sofamor Danek USA, Inc. "PCR PEEK Cement Restrictor Brochure," 2001, 2 pages.

Medtronic Sofamor Danek USA, Inc. "PCR PEEK Cement Restrictor Implant," Oct. 2, 2001, 17 pages.

Medtronic Sofamor Danek USA, Inc. "Telamon Verte-Stack PEEK Vertebral Body Spacer Brochure I," 2003, 2 pages.

Medtronic Sofamor Danek USA, Inc. "Telamon Verte-Stack PEEK Vertebral Body Spacer Brochure II," 2003, 10 pages.

Medtronic Sofamor Danek USA, Inc. "Telamon Verte-Stack PEEK Vertebral Body Spacer Implant," Oct. 2, 2001, 6 pages.

NuVasive, Inc., Corrected Final Invalidity Contentions Regarding U.S. Pat. No. 5,860,973, U.S. Pat. No. 6,592,586 and U.S. Pat. No. 6,945,933 filed in the United States District Court, Southern District of California on Jun. 14, 2010 (and 23 appendices).

Petition for Inter Partes Review of U.S. Pat. No. 8,187,334 Pursuant to 35 U.S.C. 311-319, 37 C.F.R. 42, dated Aug. 14, 2013, 64 pages.

Petition for Inter Partes Review of U.S. Pat. No. 8,361,156 Pursuant to 35 U.S.C. 311-319, 37 C.F.R. 42, dated Aug. 14, 2013, 64 pages.

Second Petition for Inter Partes Review of U.S. Pat. No. 8,187,334 Pursuant to 35 U.S.C. 311-319, 37 C.F.R. 42, dated Aug. 14, 2013, 64 pages.

Second Petition for Inter Partes Review of U.S. Pat. No. 8,361,156 Pursuant to 35 U.S.C. 311-319, 37 C.F.R. 42, dated Aug. 14, 2013, 64 pages.

Stein, et al., "Percutaneous facet joint fusion: Preliminary experience", *Journal of Vascular and Interventional Radiology*, 4:69-74 (1993).

Synthes Vertebral Spacer-PR Brochure, *Synthes Spine*, 2002, 2 pages.

Synthesis Spine Vertebral Spacer-PR Implant, Jun. 2002, 2 pages.

Synthesis Spine Vertebral Spacer-TR Implant, Aug. 2002, 2 pages.

Telamon Implantation Guide, *Medtronic Sofamor Danek*, 2003, 10 pages.

Telamon Verte-Stack PEEK Vertebral Body Spacer Brochure, *Medtronic Sofamor Danek*, 2003, 2 pages.

Vamvanij, et al., "Surgical treatment of internal disc disruption: An outcome study of four fusion techniques", *Journal of Spinal Disorders*, 11(5):375-382 (1998).

Zhou et al., Geometrical dimensions of the lower lumbar vertebrae—analysis of data from digitised CT images, *Eur Spine J*, 2000, 9: 242-248.

Patent Owner NuVasive Inc.'s Preliminary Response in IPR2013-00504, dated Nov. 25, 2013, 40 pages.

Decision denying Institution of *Inter Partes* review in IPR2013-00504, dated Feb. 13, 2014, 9 pages.

Patent Owner NuVasive Inc.'s Preliminary Response in IPR2013-00506, dated Nov. 25, 2013, 38 pages.

Decision denying Institution of *Inter Partes* review in IPR2013-00506, dated Feb. 13, 2014, 21 pages.

NuVasive Inc.'s Patent Owner Response in IPR2013-00506, dated May 21, 2014, 66 pages.

Declaration of Dr. Hansen A. Yuan from IPR2013-00506, dated May 21, 2014, 63 pages.

Synthes SVS-PR Guide, *Synthes Spine*, 2002, 8 pages.

Medtronic Sofamor Danek Boomerang brochure, *Medtronic Sofamor Danek*, 2003, 6 pages.

Synthes Vertebral Spacer—AR brochure, *Synthesis Spine*, 2006, 4 pages.

Saber Surgical Technique /Product Catalogue, *DePuy Spine*, 2004, 12 pages.

Petition for Inter Partes Review of U.S. Pat. No. 8,361,156 Pursuant to 35 U.S.C. 311-319, 37 C.F.R. 42, dated Mar. 5, 2014, 64 pages.

Patent Owner NuVasive Inc.'s Preliminary Response in IPR2013-00507, dated Nov. 25, 2013, 29 pages.

Decision denying Institution of *Inter Partes* review in IPR2013-00507, dated Feb. 13, 2014, 15 pages.

NuVasive Inc.'s Patent Owner Response in IPR2013-00507, dated May 21, 2014, 50 pages.

Declaration of Dr. Hansen A. Yuan from IPR2013-00507, dated May 21, 2014, 85 pages.

Patent Owner NuVasive Inc.'s Preliminary Response in IPR2013-00508, dated Nov. 25, 2013, 38 pages.

Decision denying Institution of *Inter Partes* review in IPR2013-00508, dated Feb. 13, 2014, 14 pages.

(56)

References Cited

OTHER PUBLICATIONS

NuVasive Inc's Patent Owner Response in IPR2013-00508, dated May 21, 2014, 66 pages.

Declaration of Dr. Hansen A. Yuan from IPR2013-00508, dated May 21, 2014, 85 pages.

Final Written Decision in *Medtronic, Inc. v. NuVasive, Inc.*, Case IPR2013-00507, dated Feb. 11, 2015, 14 pages.

Final Written Decision in *Medtronic, Inc. v. NuVasive, Inc.*, Case IPR2013-00508, dated Feb. 11, 2015, 19 pages.

* cited by examiner

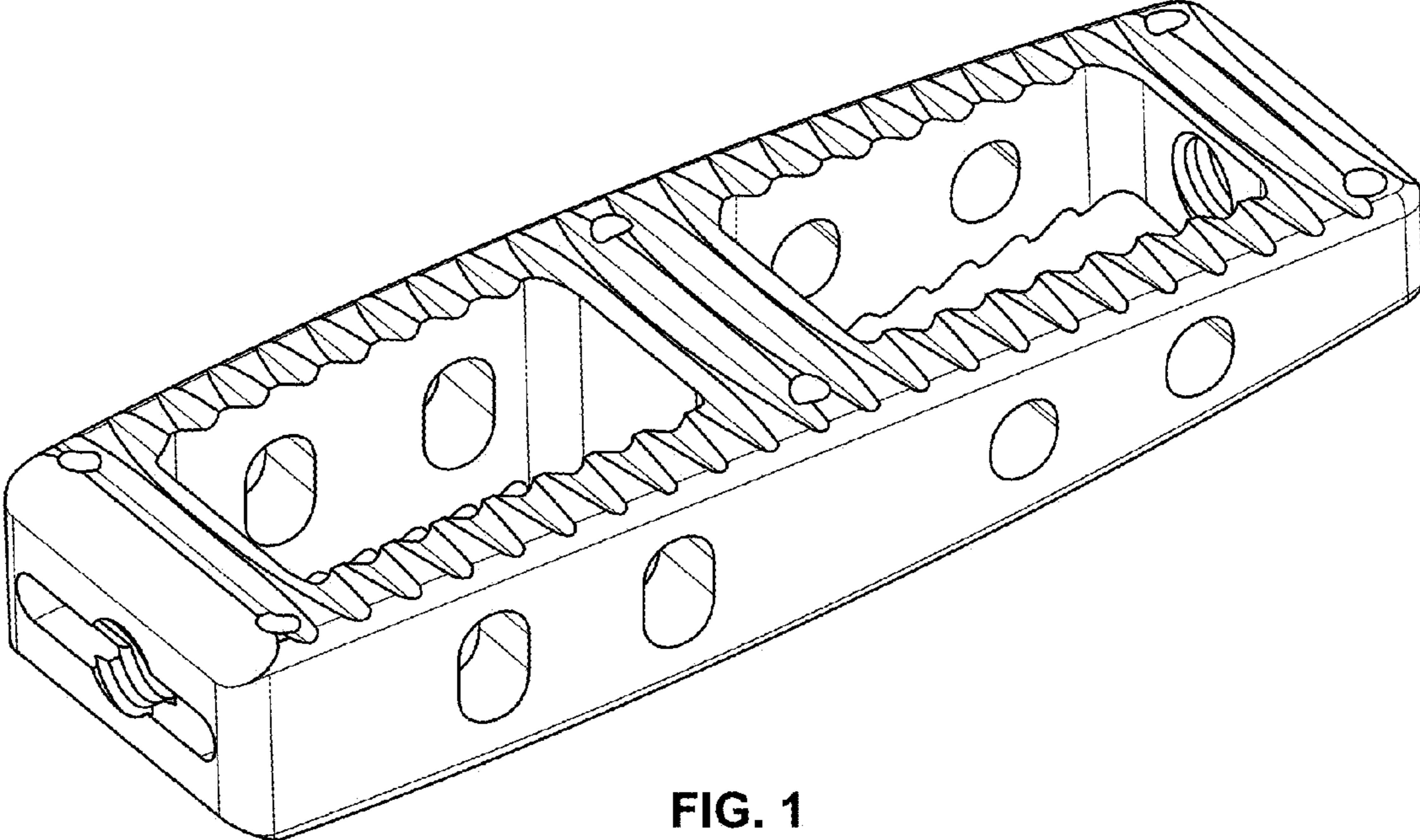


FIG. 1

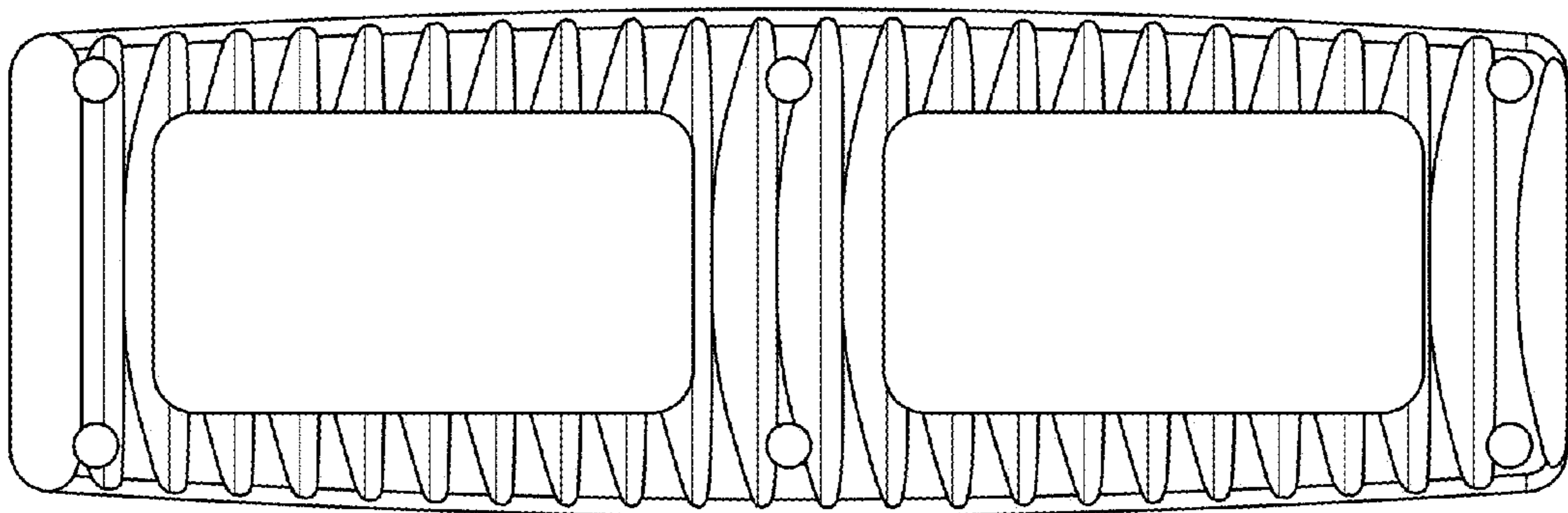


FIG. 2

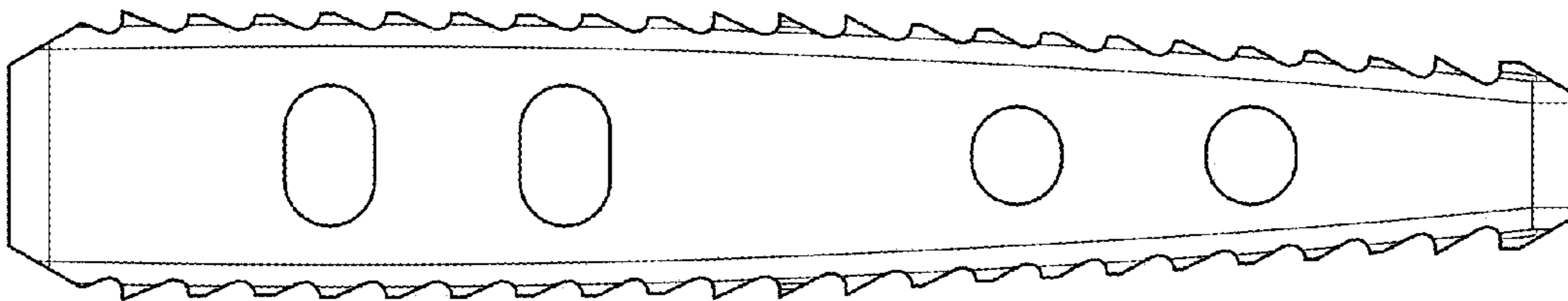


FIG. 3

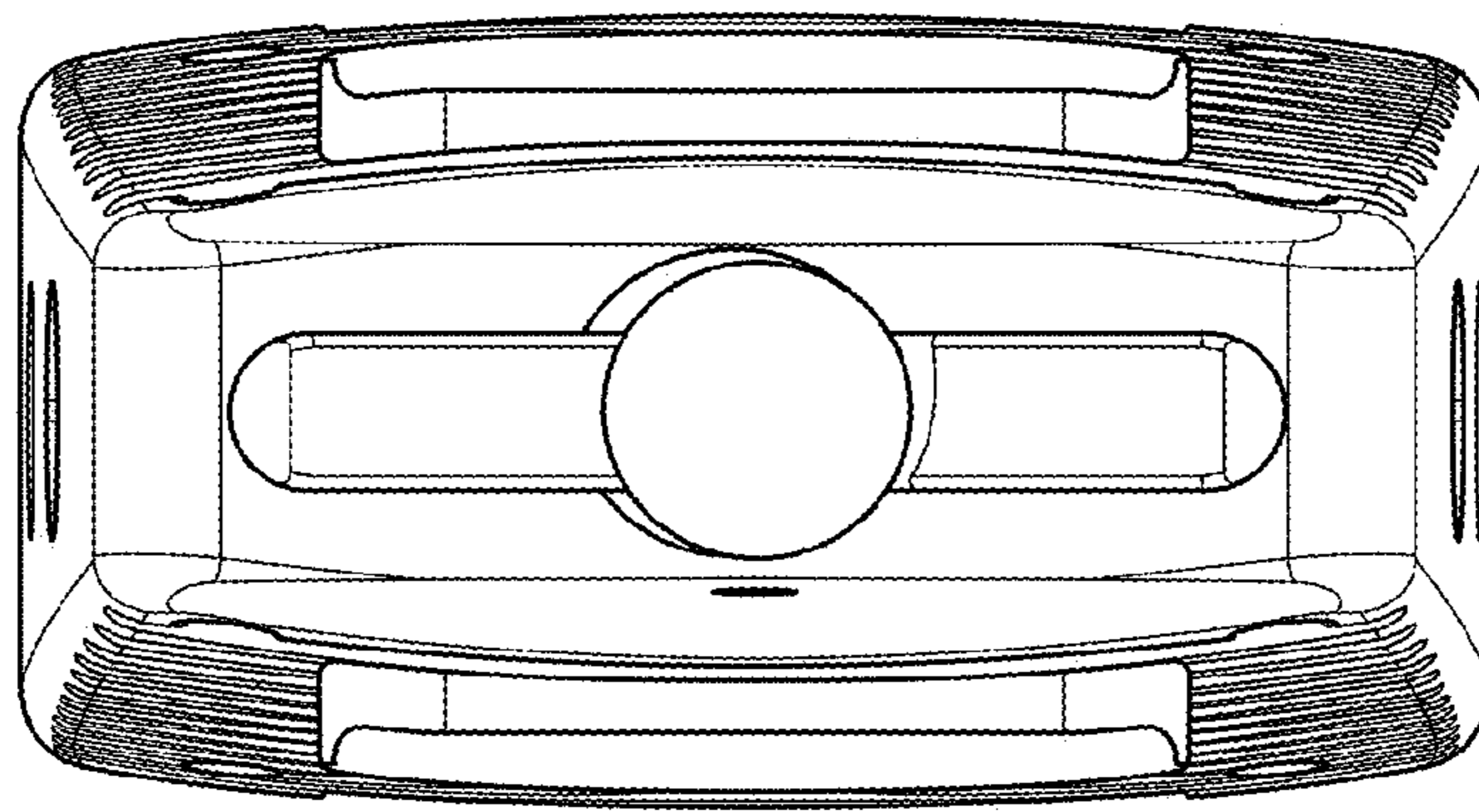


FIG. 4

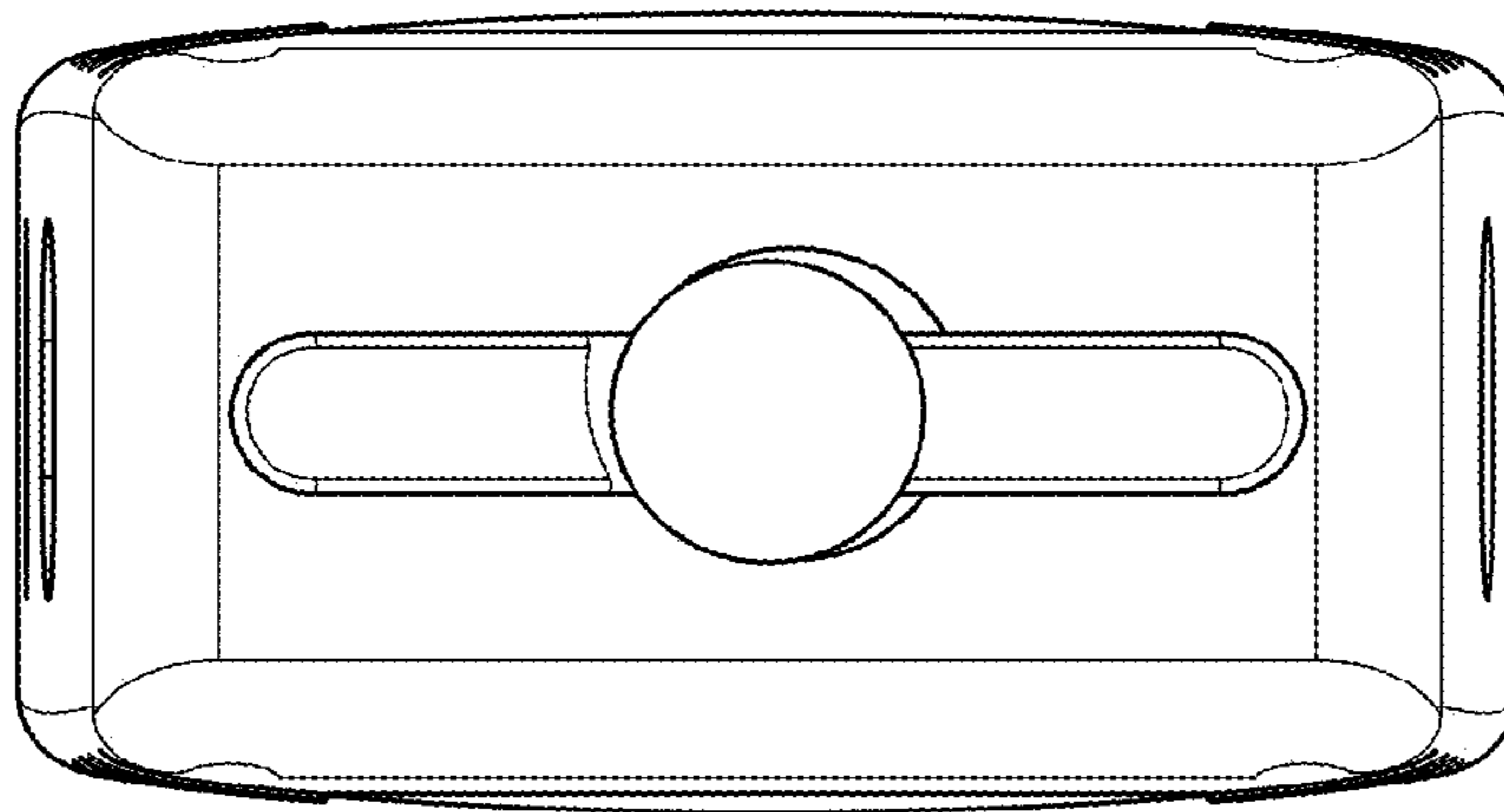


FIG. 5