



US00D754344S

(12) **United States Design Patent**
Fiorina et al.

(10) **Patent No.:** **US D754,344 S**
(45) **Date of Patent:** **** Apr. 19, 2016**

(54) **DENTAL TOOL**

(71) Applicant: **Engineered Endodontics, LLC**,
Menomonee Falls, WI (US)
(72) Inventors: **Mark Arthur Fiorina**, Elm Grove, WI
(US); **Mark Andrew Fiorina**,
Waukesha, WI (US)
(73) Assignee: **Engineered Endodontics, LLC**,
Menomonee Falls, WI (US)

(**) Term: **14 Years**

(21) Appl. No.: **29/518,567**

(22) Filed: **Feb. 25, 2015**

Related U.S. Application Data

(62) Division of application No. 29/469,119, filed on Oct. 7, 2013, now Pat. No. Des. 726,912.

(51) **LOC (10) Cl.** **24-02**

(52) **U.S. Cl.**
USPC **D24/152**

(58) **Field of Classification Search**
USPC D24/152, 104, 108, 112, 113, 114, 127,
D24/130, 133, 146, 147, 186; 606/181, 185;
604/30, 158, 163, 164, 164.08, 181,
604/184, 187, 198, 192, 227, 232, 263;
433/80, 85, 88, 89, 90, 104, 114
CPC A61C 1/08; A61C 1/16; A61C 17/02;
A61C 17/00; A61G 17/02

See application file for complete search history.

(56) **References Cited**

U.S. PATENT DOCUMENTS

5,489,205 A * 2/1996 Davis F16L 19/086
433/80
5,848,893 A * 12/1998 Martin A61C 17/02
433/80
D409,305 S * 5/1999 Martin D24/108
D494,678 S * 8/2004 Kemeny D24/152
D683,016 S * 5/2013 Mirza D24/112
D726,912 S * 4/2015 Fiorina D24/152
2007/0224575 A1 * 9/2007 Dieras A61C 17/20
433/119
2010/0266982 A1 * 10/2010 Klecker A61C 17/0217
433/90

* cited by examiner

Primary Examiner — Wan Laymon
Assistant Examiner — Mark Booker
(74) *Attorney, Agent, or Firm* — Quarles & Brady, LLP

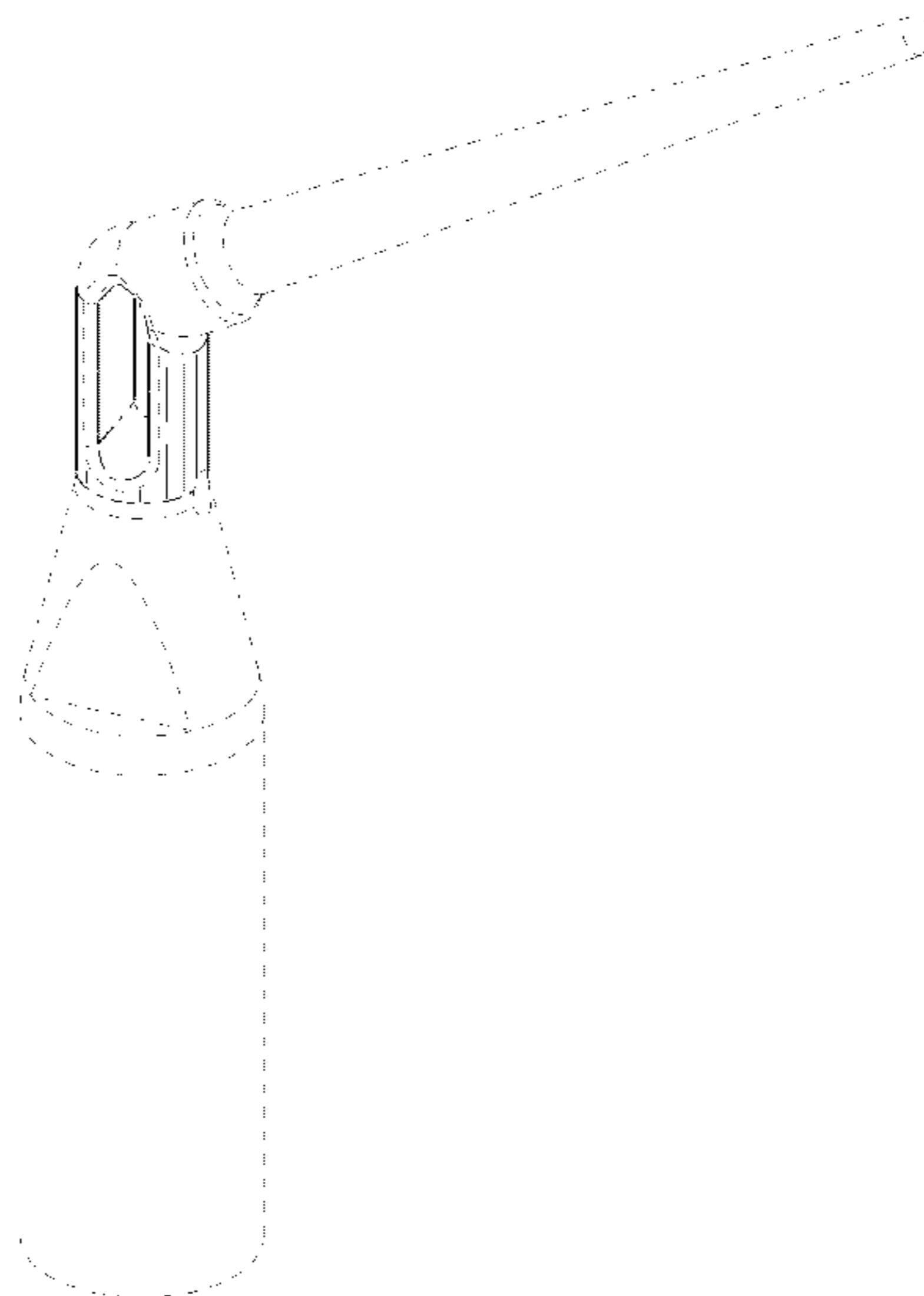
(57) **CLAIM**

The ornamental design for a dental tool, as shown and described.

DESCRIPTION

FIG. 1 is an isometric view of a top, front, and left side of an ornamental design for a dental tool;
FIG. 2 is a left side elevational view of the dental tool of FIG. 1;
FIG. 3 is a right side elevational view of the dental tool of FIG. 1;
FIG. 4 is a rear elevational view of the dental tool of FIG. 1; and,
FIG. 5 is a front elevational view of the dental tool of FIG. 1. The evenly weighted broken lines in the Figures are for the purpose of illustrating environmental structure and form no part of the claimed design. The dash-dot-dash-dot broken lines immediately adjacent the shaded area represents boundaries to the claimed design and forms no part of the claimed design.

1 Claim, 3 Drawing Sheets



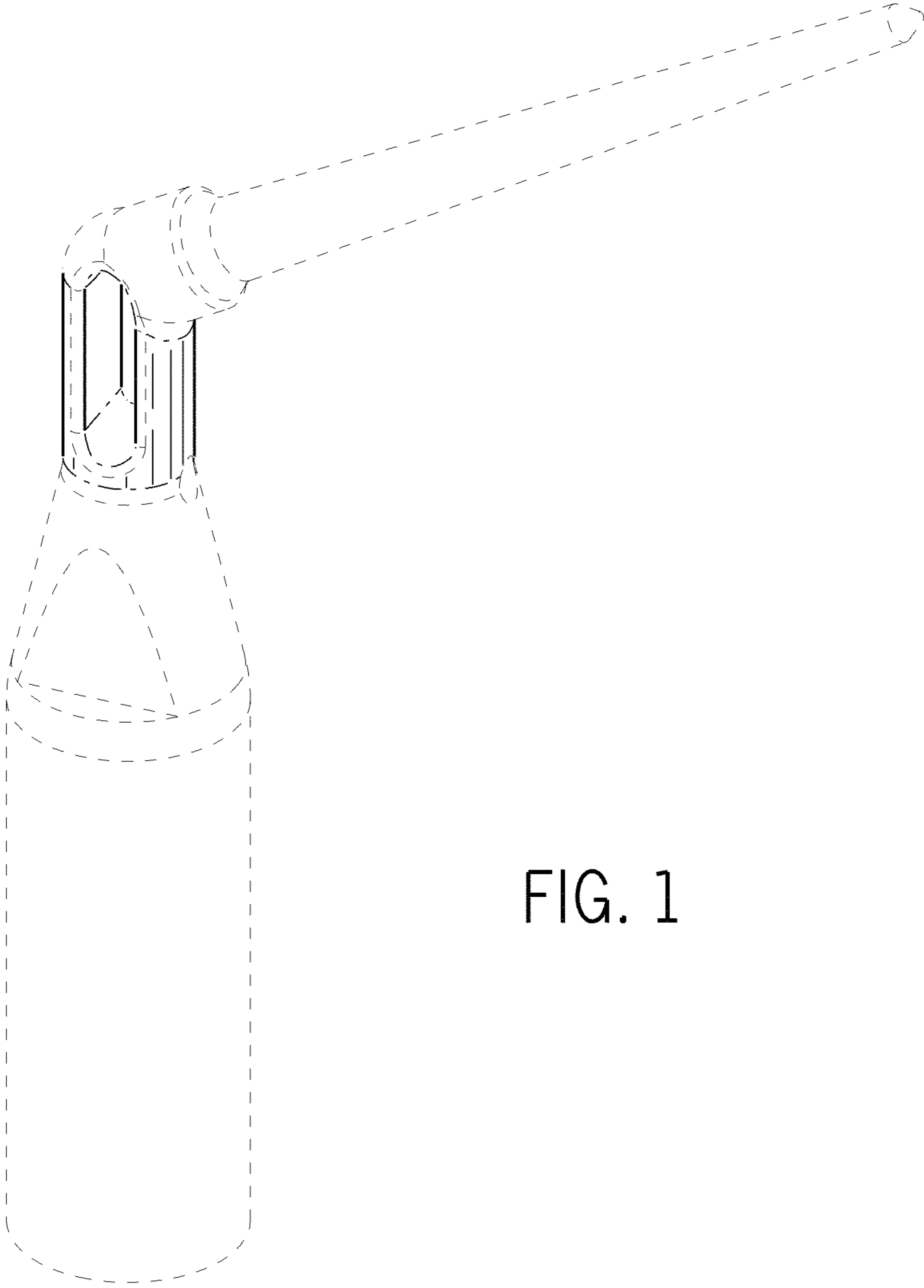


FIG. 1

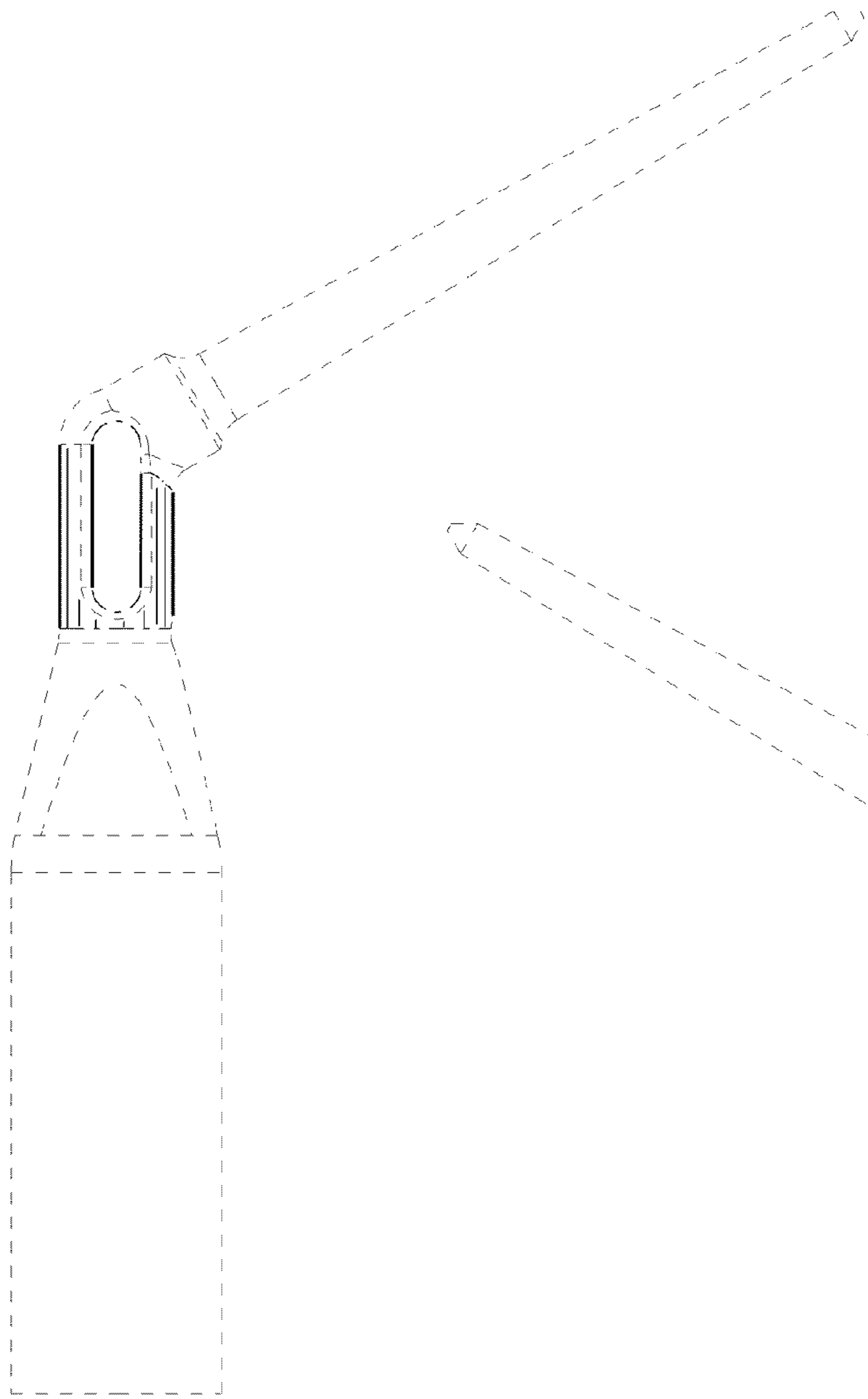


FIG. 2

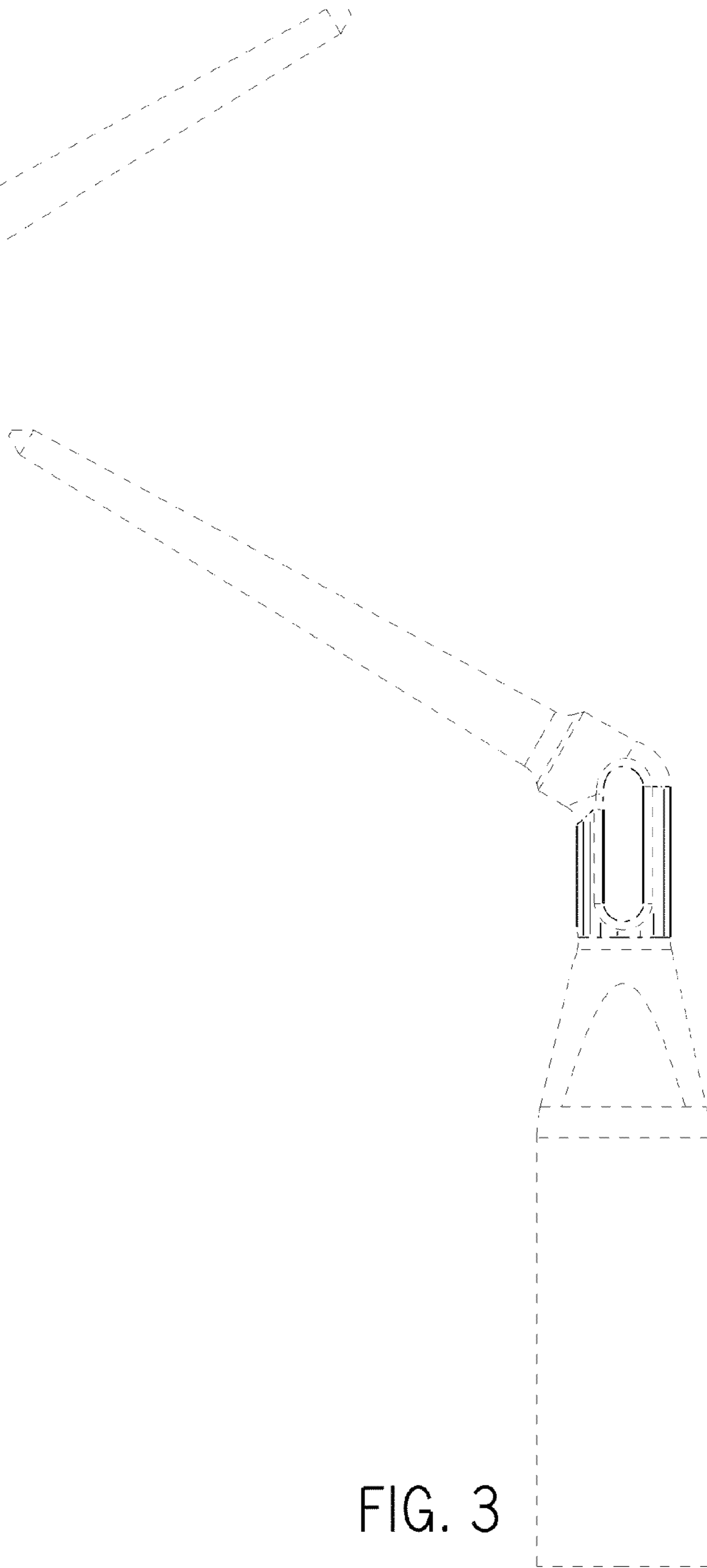


FIG. 3

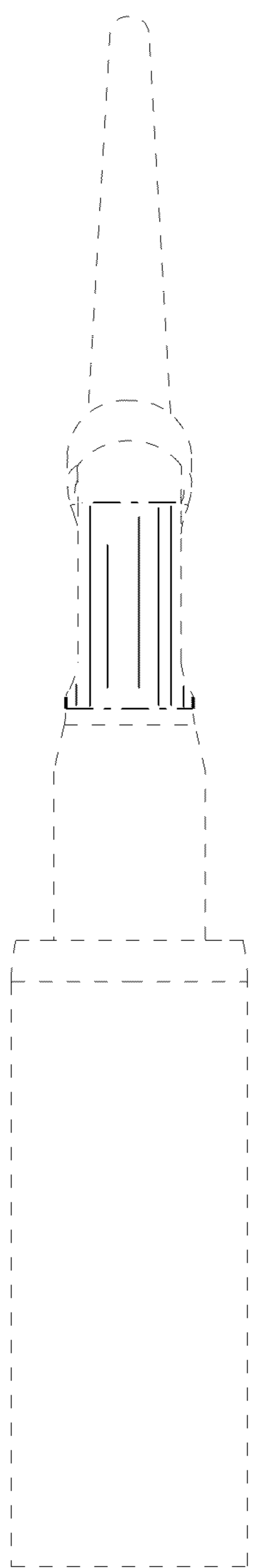


FIG. 4

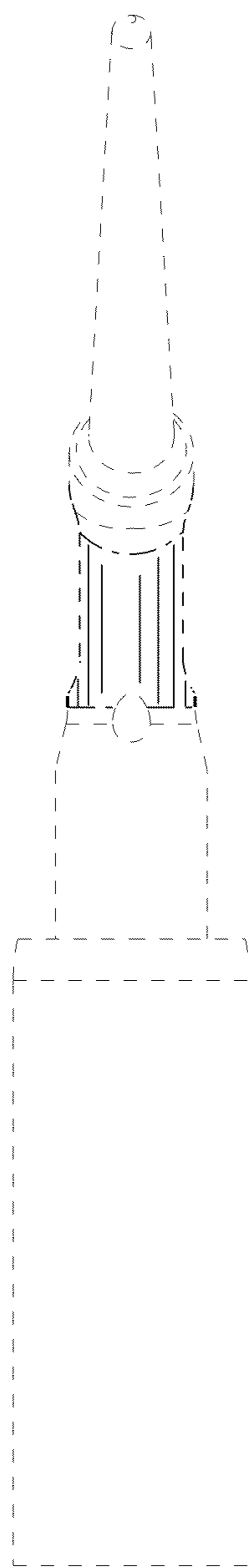


FIG. 5