

US00D754341S

(12) **United States Design Patent**  
**Hayamizu**

(10) **Patent No.:** **US D754,341 S**  
(45) **Date of Patent:** **\*\* Apr. 19, 2016**

(54) **ENDOSCOPE PROCESSOR**

FOREIGN PATENT DOCUMENTS

(71) Applicant: **HOYA CORPORATION**, Tokyo (JP)

CN 3605854 \* 1/2007  
CN 3611074 \* 2/2007

(72) Inventor: **Eiji Hayamizu**, Tokyo (JP)

(Continued)

(73) Assignee: **Hoya Corporation**, Tokyo (JP)

OTHER PUBLICATIONS

(\*\*) Term: **14 Years**

YouTube. <URL: [https://www.youtube.com/watch?v=zcKZJgp\\_LA](https://www.youtube.com/watch?v=zcKZJgp_LA)> Published Mar. 7, 2013. Pentax Endoscope processor EPK-i7000.\*

(21) Appl. No.: **29/513,115**

(Continued)

(22) Filed: **Dec. 26, 2014**

*Primary Examiner* — Bridget L Eland

*Assistant Examiner* — Lauren McVey

(30) **Foreign Application Priority Data**

(74) *Attorney, Agent, or Firm* — Faegre Baker Daniels LLP

Jun. 30, 2014 (JP) ..... 2014-014339

(57) **CLAIM**

(51) **LOC (10) Cl.** ..... **24-02**

The ornamental design for an endoscope processor, as shown and described.

(52) **U.S. Cl.**

**DESCRIPTION**

USPC ..... **D24/138**

(58) **Field of Classification Search**

USPC ..... D24/138, 137, 133, 135, 140, 107, 186;  
600/131, 132, 145-147; D14/137, 139

The patent or application file contains at least one drawing executed in color. Copies of this patent or patent application publication with color drawing(s) will be provided by the Office upon request and payment of the necessary fee.

CPC .... A61B 1/267; A61B 1/2673; A61B 1/2676;

A61B 1/00; A61B 1/00052; A61B 1/00066;

A61B 5/0077; A61B 19/5223; A61B 19/5225;

A61B 1/04; A61B 1/042; A61B 8/5215;

G02B 23/24

See application file for complete search history.

FIG. 1 is a front, top, and right side perspective view of an endoscope processor showing my new design;

FIG. 2 is a front, top, and left side perspective view thereof;

FIG. 3 is a front view thereof;

FIG. 4 is a top plan view thereof;

FIG. 5 is a bottom plan view thereof;

FIG. 6 is a right side view thereof; and,

FIG. 7 is a left side view thereof.

The features shown in broken lines in the drawings depict environmental subject matter only and form no part of the claimed design. The dash-dotted lines denote the boundary of the claim and form no part of the claimed design.

The rear view is omitted since it does not show any claim part.

(56) **References Cited**

U.S. PATENT DOCUMENTS

D275,226 S \* 8/1984 Nishigaki ..... D23/314

D376,207 S \* 12/1996 Buczek ..... D24/138

D412,977 S \* 8/1999 Hayamizu ..... D24/107

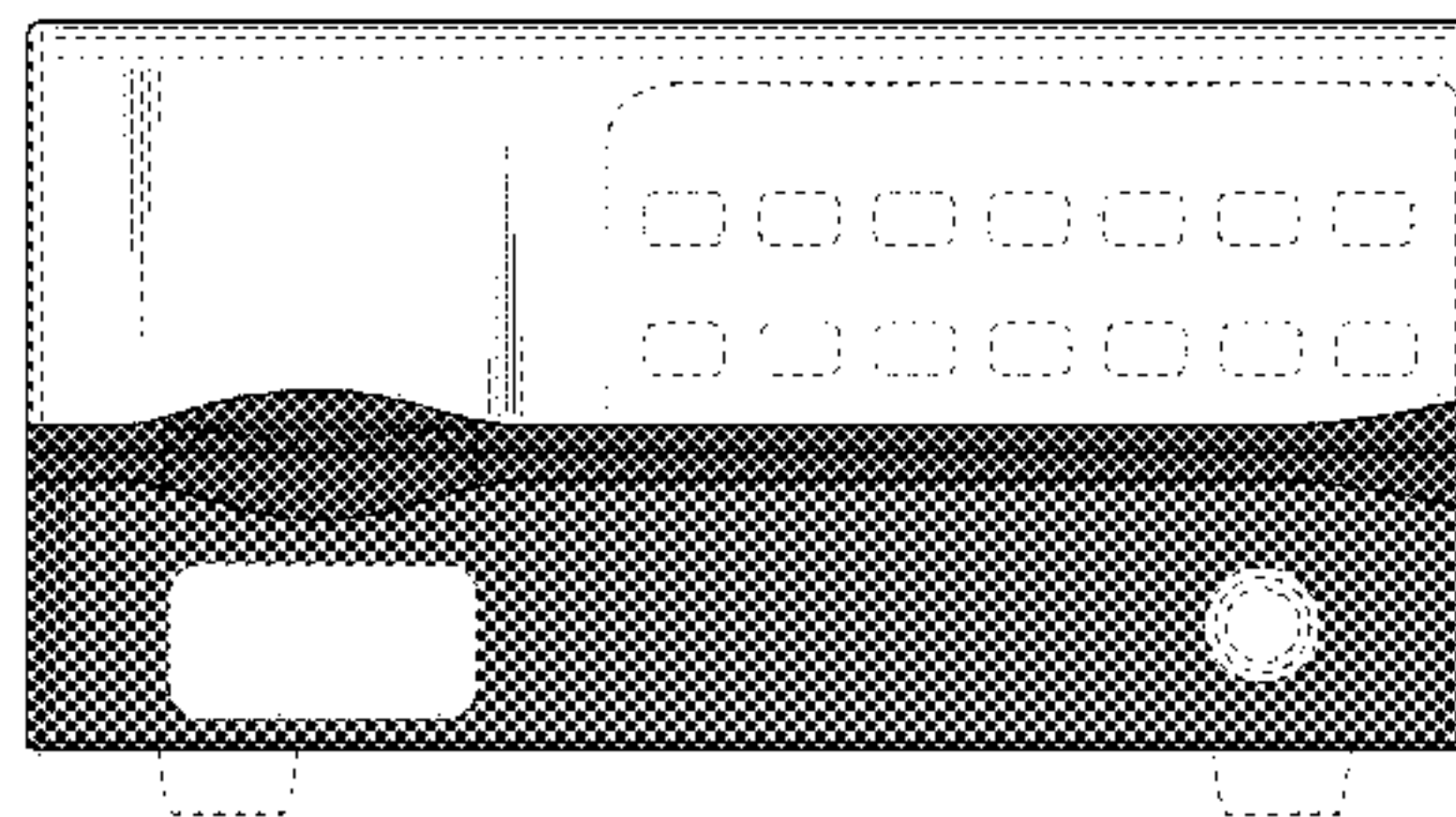
D481,123 S \* 10/2003 Hayamizu ..... D24/107

D533,940 S \* 12/2006 Hayamizu ..... D24/138

D534,654 S \* 1/2007 Hayamizu ..... D24/138

(Continued)

**1 Claim, 7 Drawing Sheets**  
**(7 of 7 Drawing Sheet(s) Filed in Color)**



(56)

References Cited

U.S. PATENT DOCUMENTS

D535,745 S \* 1/2007 Hayamizu ..... D24/138  
 D564,094 S \* 3/2008 Hayashi ..... D24/138  
 D564,661 S \* 3/2008 Hayashi ..... D24/138  
 D565,178 S \* 3/2008 Tanaka ..... D24/138  
 D598,098 S \* 8/2009 Tanaka ..... D24/107  
 D626,224 S \* 10/2010 Amano ..... D24/107  
 D640,376 S \* 6/2011 Amano ..... D24/107  
 D640,377 S \* 6/2011 Amano ..... D24/107  
 D641,082 S \* 7/2011 Onuma ..... D24/138  
 D643,117 S \* 8/2011 Onuma ..... D24/138  
 D643,922 S \* 8/2011 Tanaka ..... D24/138  
 D670,384 S \* 11/2012 Tanaka ..... D24/138  
 D670,806 S \* 11/2012 Hayamizu ..... D24/138  
 D671,212 S \* 11/2012 Tanaka ..... D24/138  
 D715,934 S \* 10/2014 Mirrer ..... D24/138  
 D719,259 S \* 12/2014 Shimobayashi ..... D24/138  
 D723,683 S \* 3/2015 Yoshida ..... D24/138  
 2002/0045801 A1 \* 4/2002 Niida ..... A61B 1/00055  
 600/118  
 2008/0086030 A1 \* 4/2008 Itoi ..... A61B 8/4433  
 600/132  
 2011/0112408 A1 \* 5/2011 Greenstein ..... A61B 1/042  
 600/476

FOREIGN PATENT DOCUMENTS

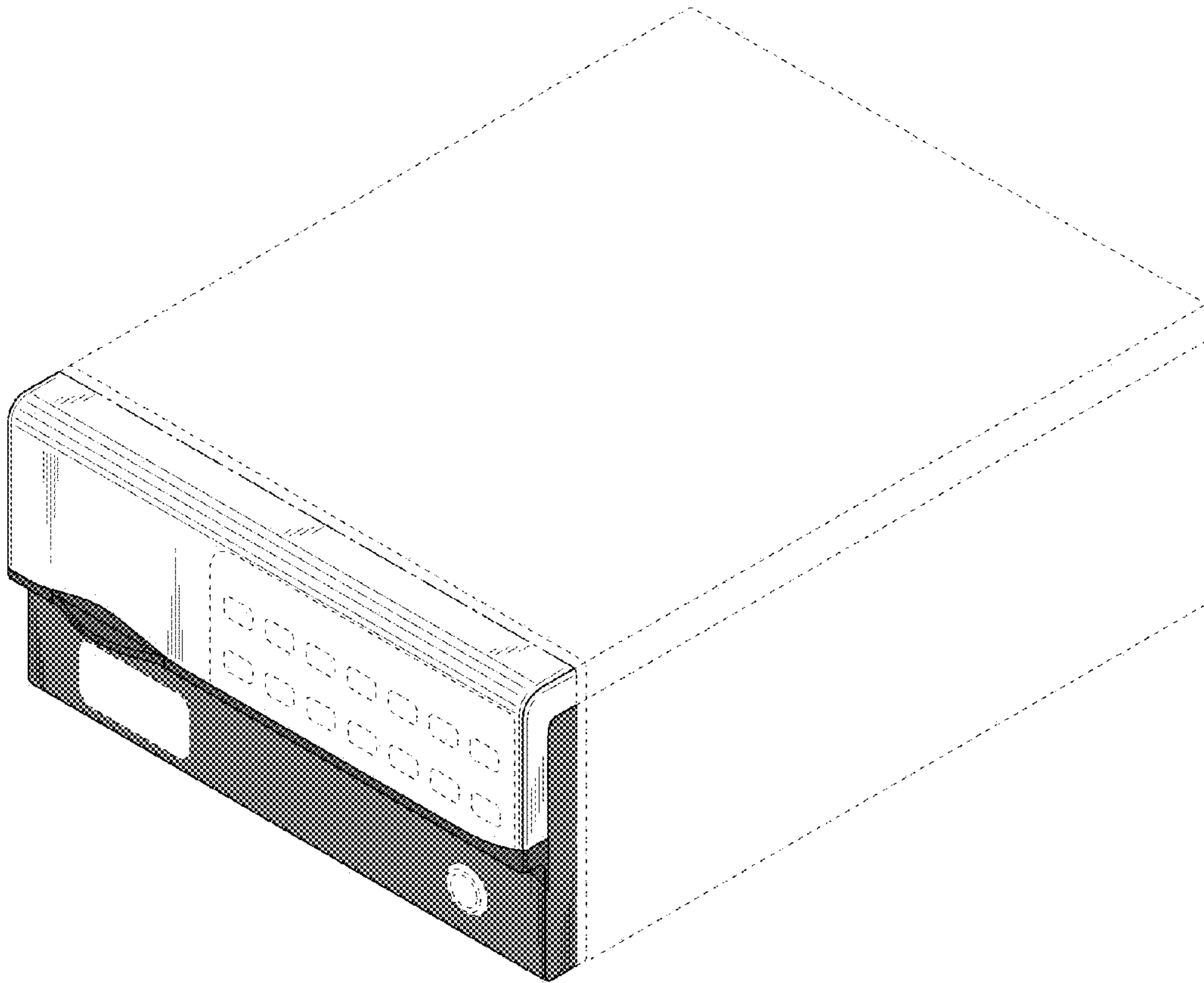
CN 301546902 \* 5/2011  
 CN 301575557 \* 6/2011  
 JP D1235947 \* 4/2005  
 JP D1235948 \* 4/2005  
 JP D1235949 \* 4/2005  
 JP D1235950 \* 4/2005  
 JP D1302402 \* 6/2007

OTHER PUBLICATIONS

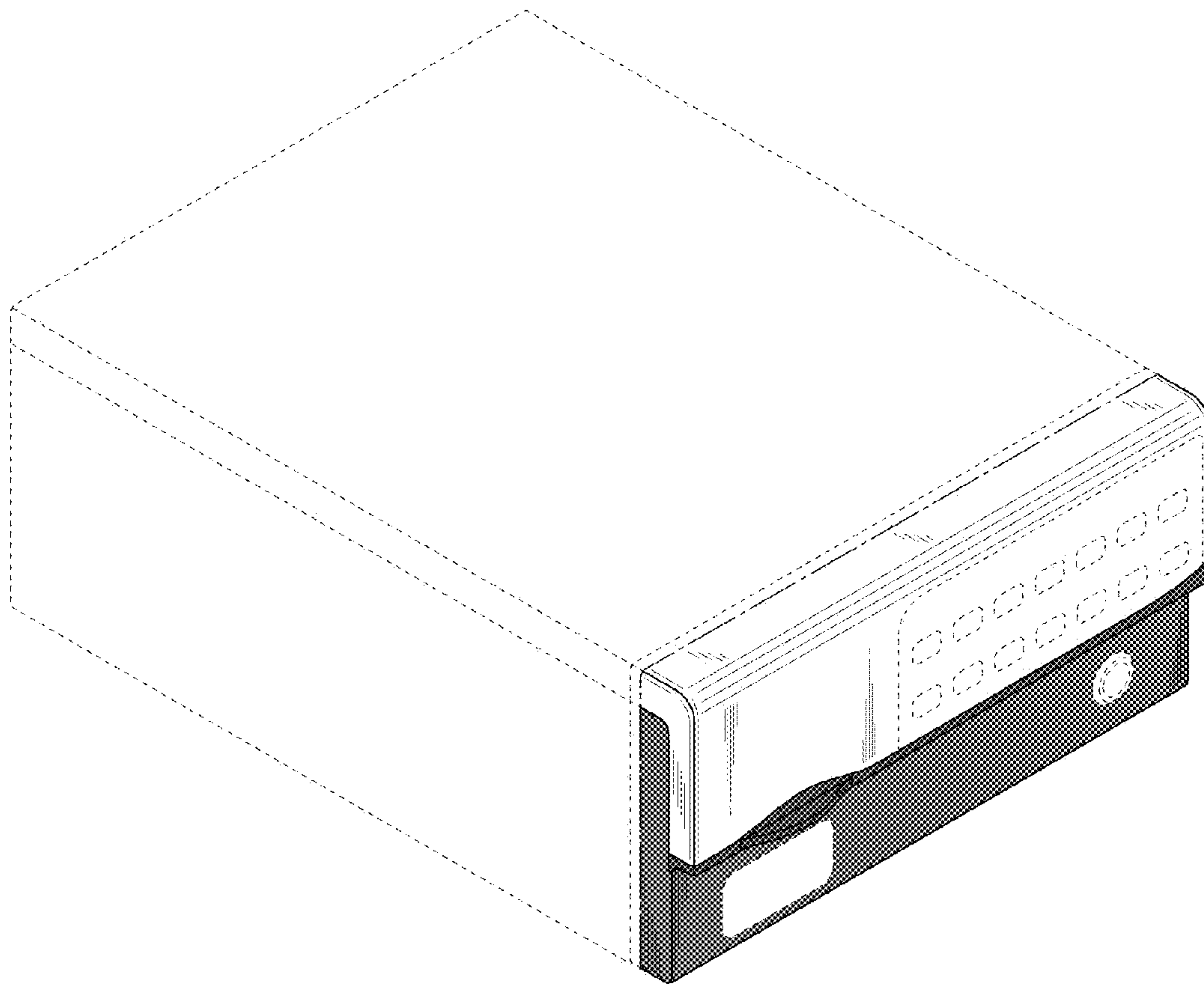
YouTube. <URL: <https://www.youtube.com/watch?v=RFEiNmKAz4>> Published Apr. 19, 2013. Pentax Endoscope processor EPK-i5000.\*  
 Design U.S. Appl. No. 29/513,108, filed Dec. 26, 2014.  
 Design U.S. Appl. No. 29/513,111, filed Dec. 26, 2014.  
 Design U.S. Appl. No. 29/513,112, filed Dec. 26, 2014.  
 Design U.S. Appl. No. 29/513,113, filed Dec. 26, 2014.  
 Design U.S. Appl. No. 29/513,114, filed Dec. 26, 2014.  
 Design U.S. Appl. No. 29/513,116, filed Dec. 26, 2014.

\* cited by examiner

***FIG. 1***

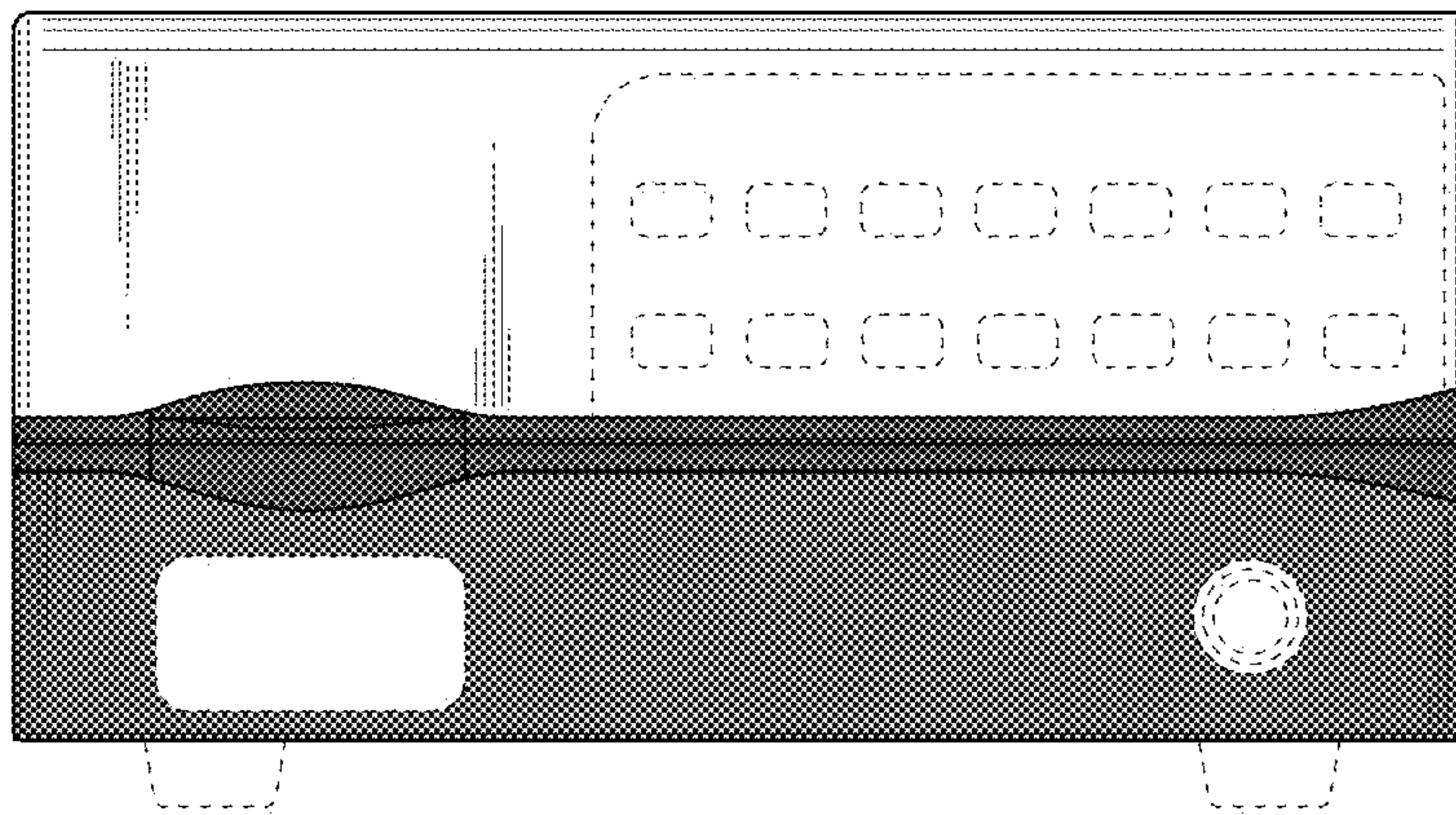


**FIG. 2**





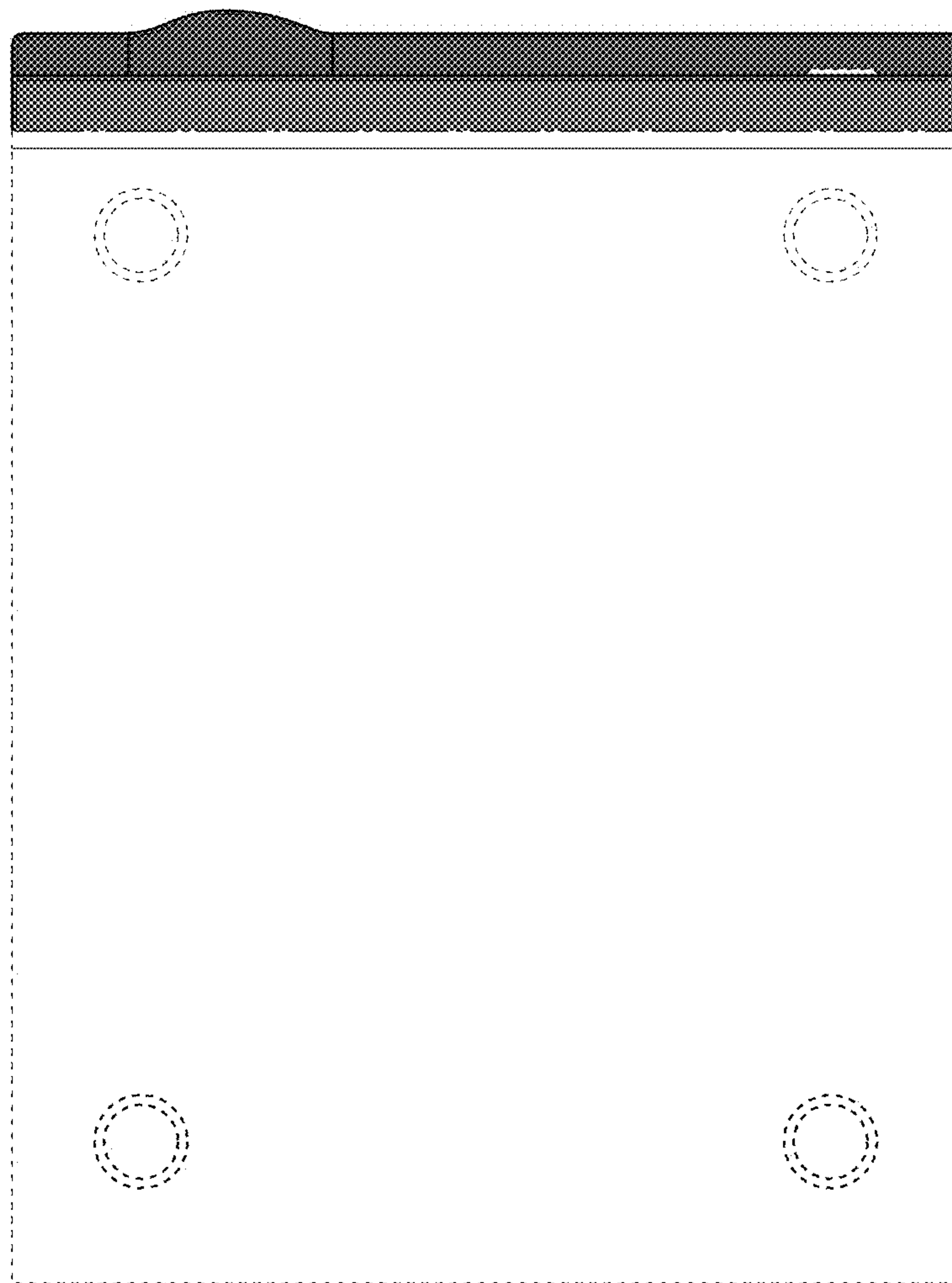
*FIG. 3*



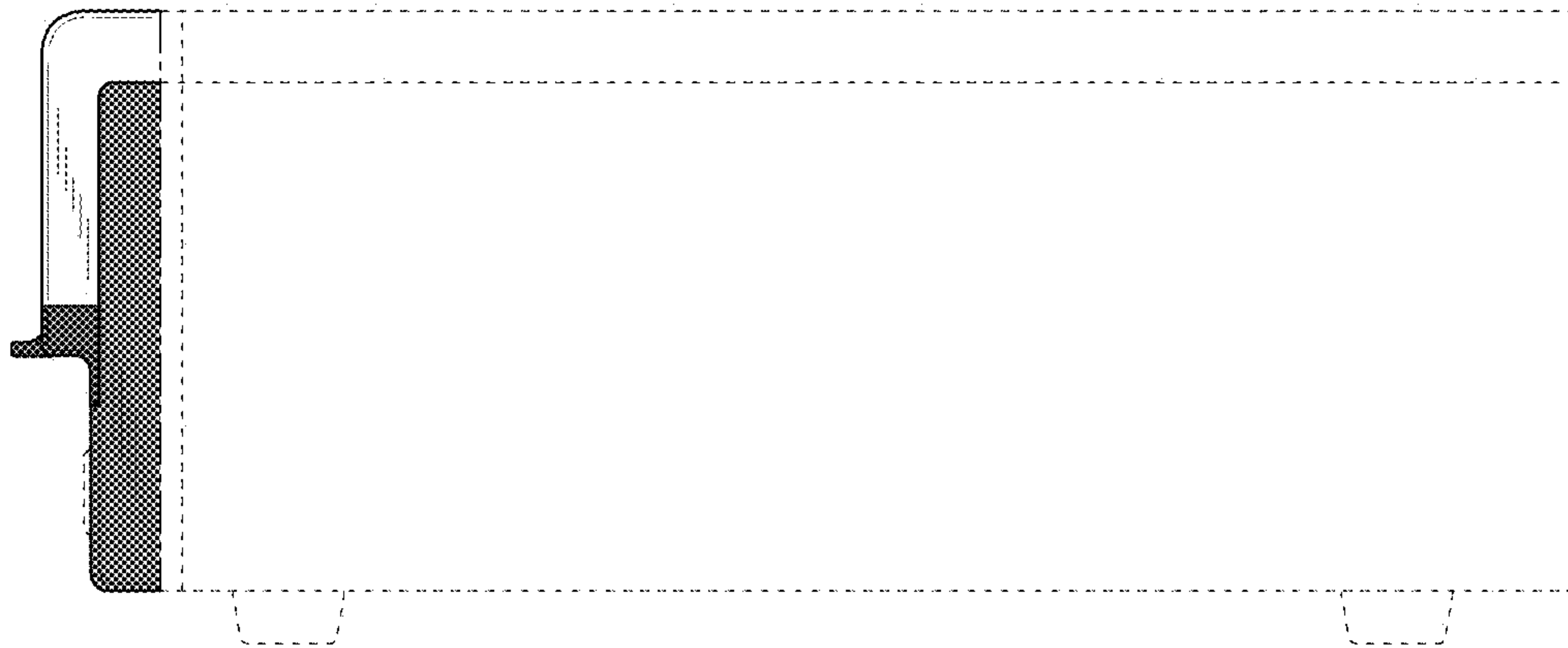
***FIG. 4***



*FIG. 5*



***FIG. 6***





**FIG. 7**

