

US00D754339S

(12) **United States Design Patent**
Hayamizu

(10) **Patent No.:** **US D754,339 S**
(45) **Date of Patent:** **** Apr. 19, 2016**

(54) **ENDOSCOPE PROCESSOR**

FOREIGN PATENT DOCUMENTS

(71) Applicant: **HOYA CORPORATION**, Tokyo (JP)

CN 3605854 * 1/2007
CN 3611074 * 2/2007

(72) Inventor: **Eiji Hayamizu**, Tokyo (JP)

(Continued)

(73) Assignee: **Hoya Corporation**, Tokyo (JP)

OTHER PUBLICATIONS

(**) Term: **14 Years**

YouTube. <URL: https://www.youtube.com/watch?v=zcKZJgp_LA> Published Mar. 7, 2013. Pentax Endoscope processor EPK-i7000.*

(21) Appl. No.: **29/513,113**

(Continued)

(22) Filed: **Dec. 26, 2014**

Primary Examiner — Bridget L Eland

Assistant Examiner — Lauren McVey

(30) **Foreign Application Priority Data**

Jun. 30, 2014 (JP) 2014-014337

(74) *Attorney, Agent, or Firm* — Faegre Baker Daniels LLP

(51) **LOC (10) Cl.** **24-02**

(57) **CLAIM**

The ornamental design for an endoscope processor, as shown and described.

(52) **U.S. Cl.**

USPC **D24/138**

DESCRIPTION

(58) **Field of Classification Search**

USPC D24/138, 137, 133, 135, 140, 107, 186;
600/131, 132, 145-147; D14/137, 139

CPC A61B 1/267; A61B 1/2673; A61B 1/2676;
A61B 1/00; A61B 1/00052; A61B 1/00066;

A61B 5/0077; A61B 19/5223; A61B 19/5225;
A61B 1/04; A61B 1/042; A61B 8/5215;

G02B 23/24

See application file for complete search history.

The patent or application file contains at least one drawing executed in color. Copies of this patent or patent application publication with color drawing(s) will be provided by the Office upon request and payment of the necessary fee.

FIG. 1 is a front, top, and right side perspective view of an endoscope processor showing my new design;

FIG. 2 is a front, top, and left side perspective view thereof;

FIG. 3 is a front view thereof;

FIG. 4 is a top plan thereof;

FIG. 5 is a bottom plan view thereof;

FIG. 6 is a right side view thereof; and,

FIG. 7 is a left side view thereof.

The features shown in broken lines in the drawings depict environmental subject matter only and form no part of the claimed design. The dash-dotted lines denote the boundary of the claim and form no part of the claimed design.

The rear view is omitted since it does not show any claimed part.

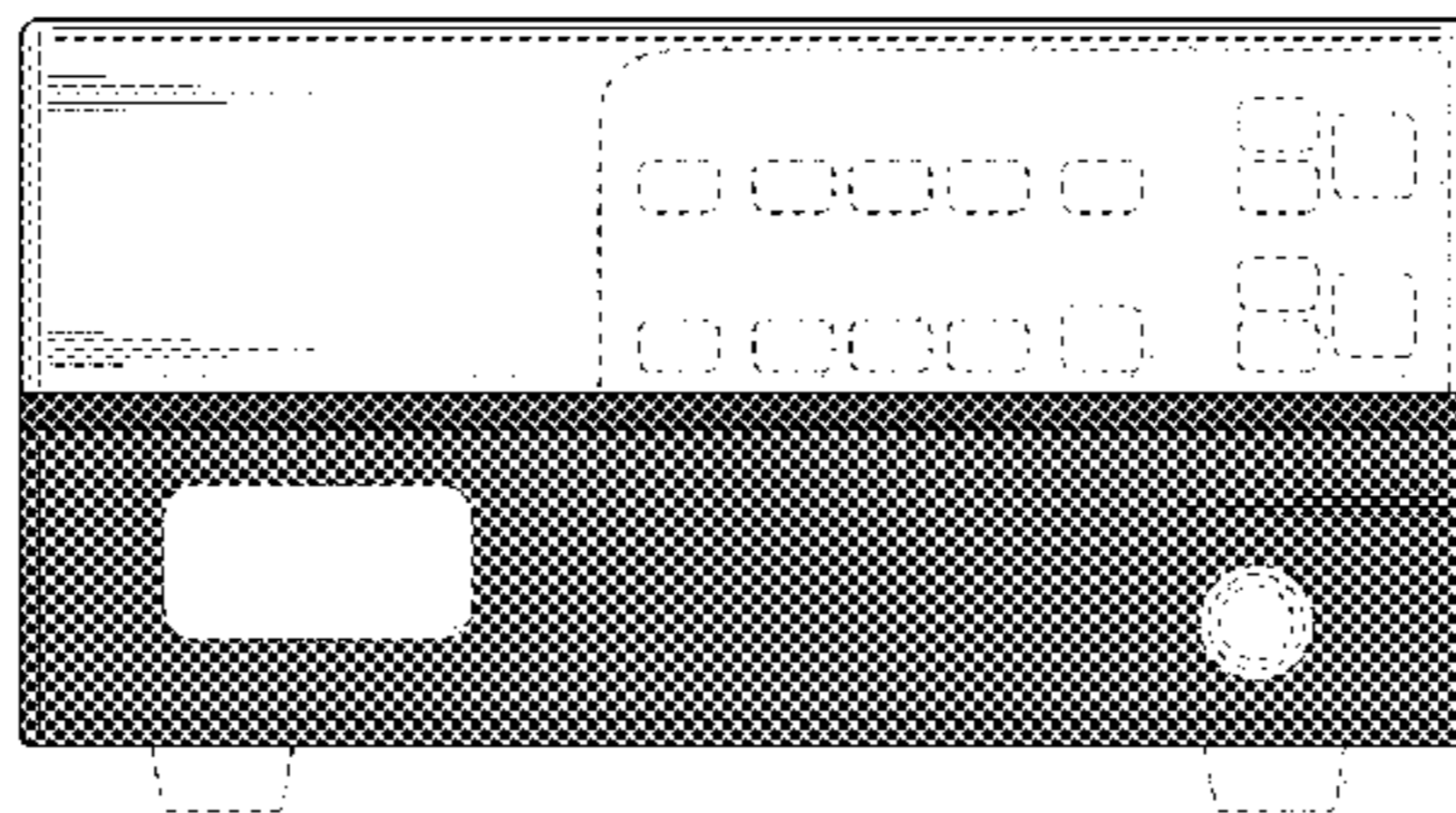
(56) **References Cited**

U.S. PATENT DOCUMENTS

D275,226 S *	8/1984	Nishigaki	D23/314
D376,207 S *	12/1996	Buczek	D24/138
D412,977 S *	8/1999	Hayamizu	D24/107
D481,123 S *	10/2003	Hayamizu	D24/107
D533,940 S *	12/2006	Hayamizu	D24/107
D534,654 S *	1/2007	Hayamizu	D24/107

(Continued)

1 Claim, 7 Drawing Sheets
(4 of 7 Drawing Sheet(s) Filed in Color)



(56)

References Cited

U.S. PATENT DOCUMENTS

D535,745	S	*	1/2007	Hayamizu	D24/138
D564,094	S	*	3/2008	Hayashi	D24/138
D564,661	S	*	3/2008	Hayashi	D24/138
D565,178	S	*	3/2008	Tanaka	D24/138
D598,098	S	*	8/2009	Tanaka	D24/107
D626,224	S	*	10/2010	Amano	D24/107
D640,376	S	*	6/2011	Amano	D24/107
D640,377	S	*	6/2011	Amano	D24/107
D641,082	S	*	7/2011	Onuma	D24/138
D643,117	S	*	8/2011	Onuma	D24/138
D643,922	S	*	8/2011	Tanaka	D24/138
D670,384	S	*	11/2012	Tanaka	D24/138
D670,806	S	*	11/2012	Hayamizu	D24/138
D671,212	S	*	11/2012	Tanaka	D24/138
D715,934	S	*	10/2014	Mirrer	D24/138
D719,259	S	*	12/2014	Shimobayashi	D24/138
D723,683	S	*	3/2015	Yoshida	D24/138
2002/0045801	A1	*	4/2002	Niida	A61B 1/00055 600/118
2008/0086030	A1	*	4/2008	Itoi	A61B 8/4433 600/132
2011/0112408	A1	*	5/2011	Greenstein	A61B 1/042 600/476

FOREIGN PATENT DOCUMENTS

CN	301546902	*	5/2011
CN	301575557	*	6/2011
JP	D1235947	*	4/2005
JP	D1235948	*	4/2005
JP	D1235949	*	4/2005
JP	D1235950	*	4/2005
JP	D1302402	*	6/2007

OTHER PUBLICATIONS

YouTube. <URL: <https://www.youtube.com/watch?v=RFEiNmKAz4>> Published Apr. 19, 2013. Pentax Endoscope processor EPK-i5000.*
 Design U.S. Appl. No. 29/513,108, filed Dec. 26, 2014.
 Design U.S. Appl. No. 29/513,111, filed Dec. 26, 2014.
 Design U.S. Appl. No. 29/513,112, filed Dec. 26, 2014.
 Design U.S. Appl. No. 29/513,114, filed Dec. 26, 2014.
 Design U.S. Appl. No. 29/513,115, filed Dec. 26, 2014.
 Design U.S. Appl. No. 29/513,116, filed Dec. 26, 2014.

* cited by examiner

FIG. 1

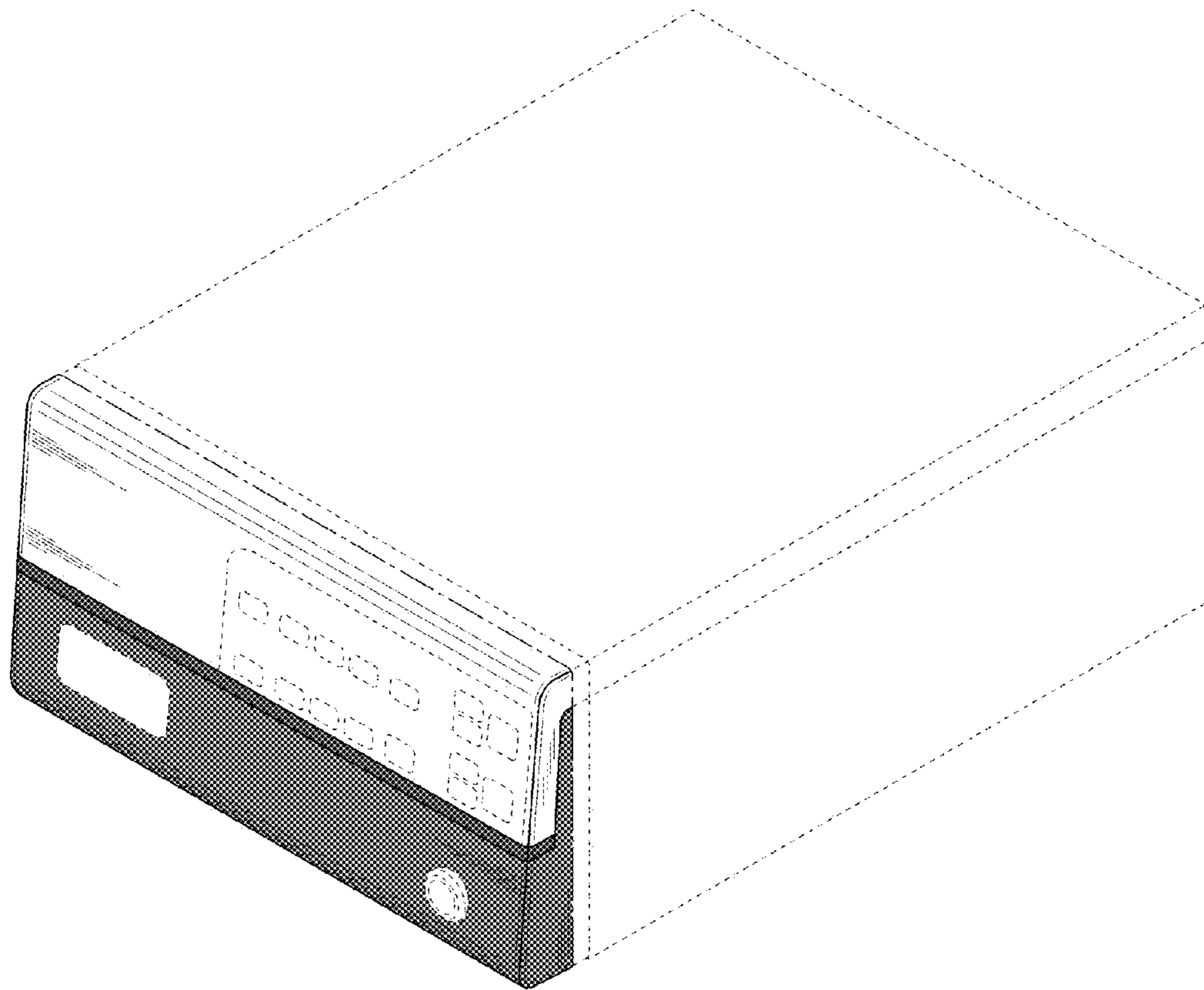


FIG. 2

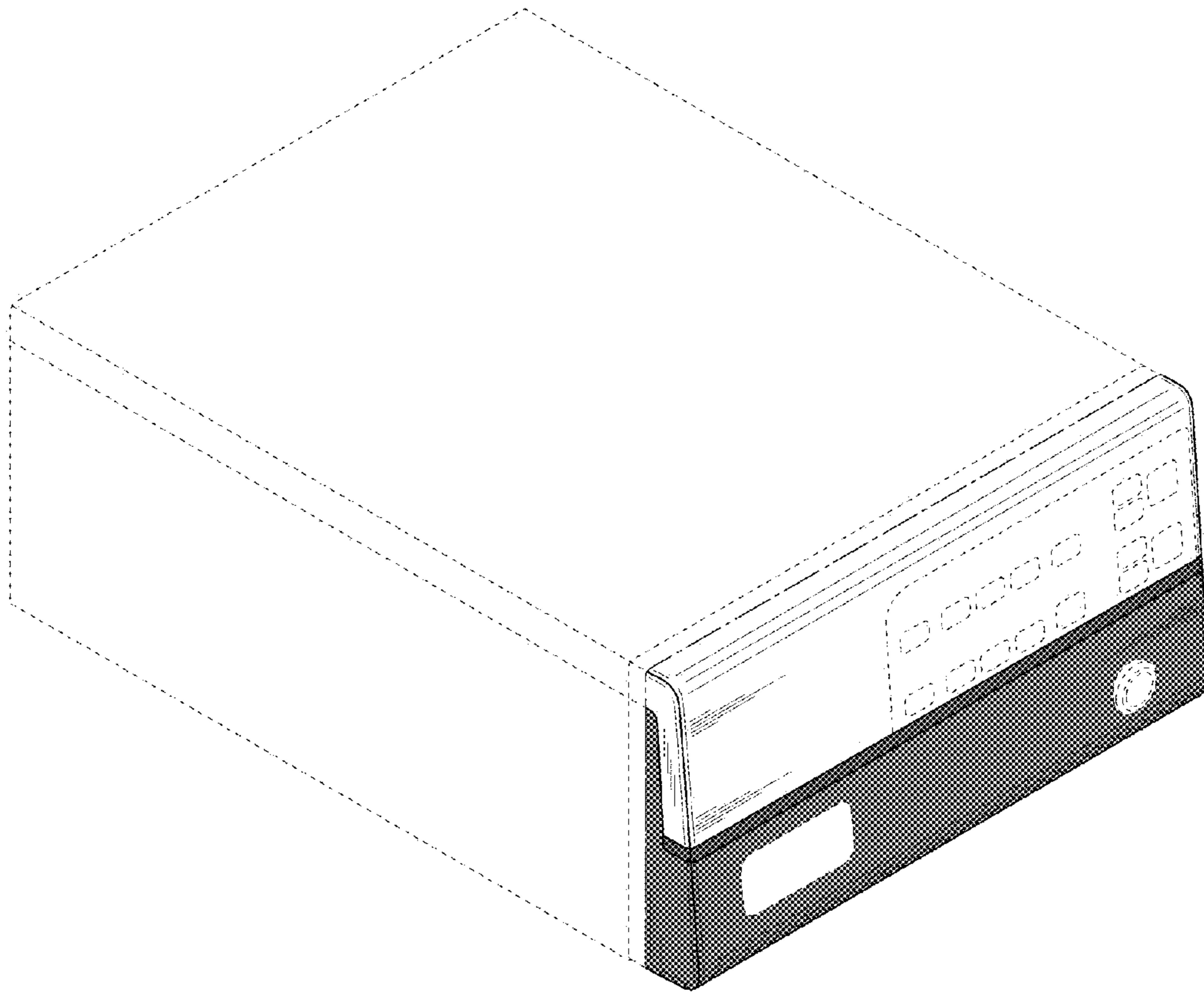


FIG. 3

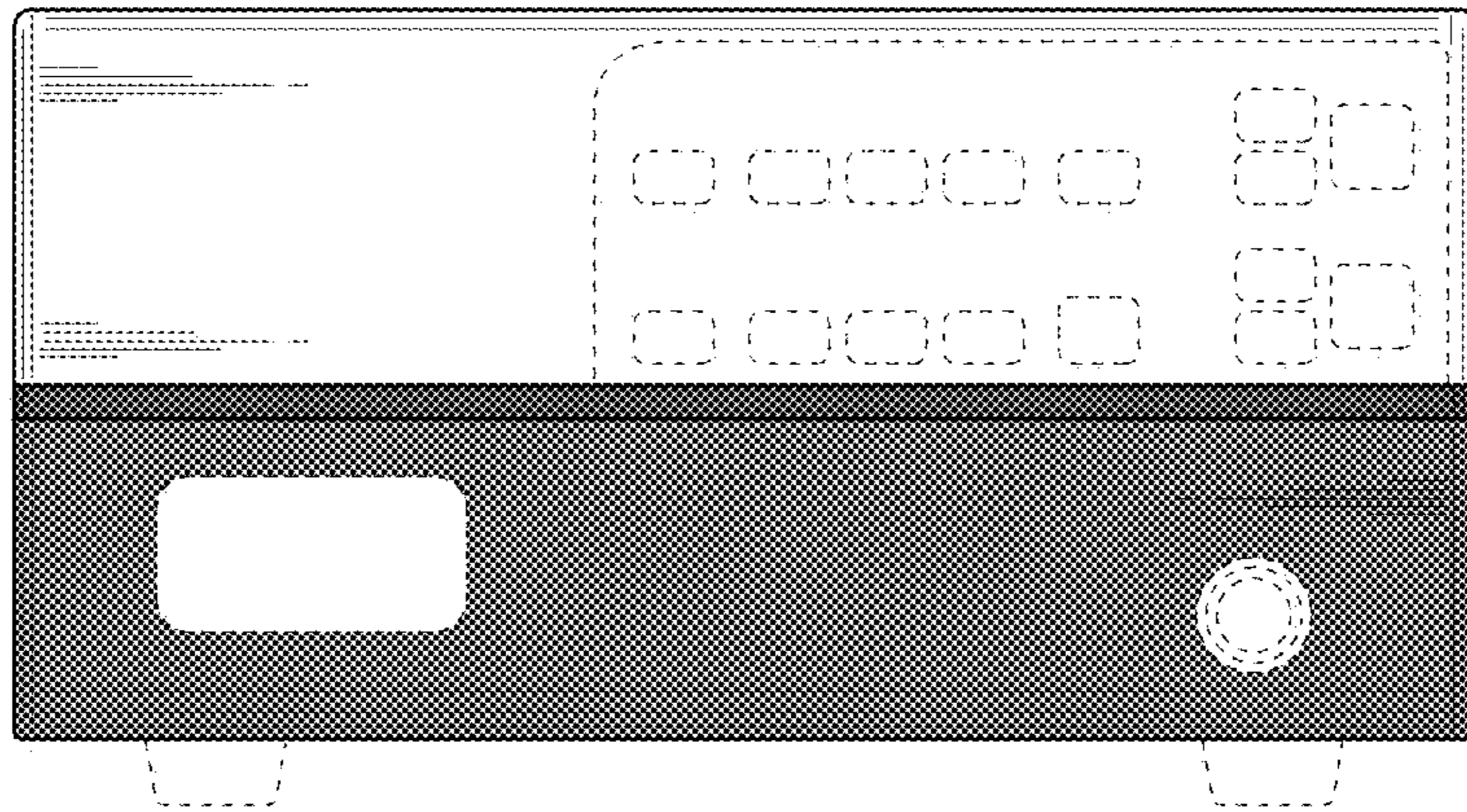


FIG. 4



FIG. 5

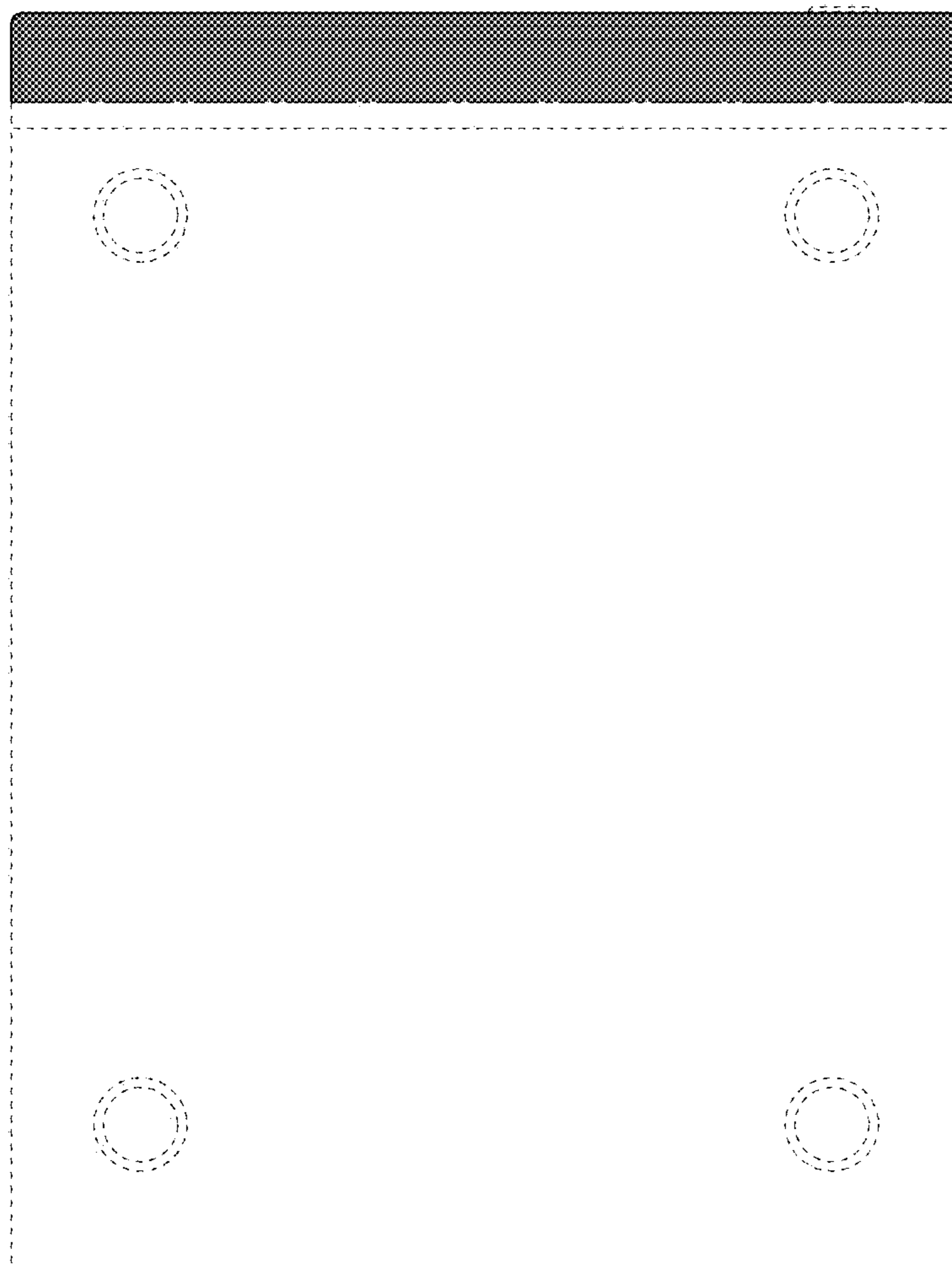


FIG. 6



FIG. 7

