



US00D754336S

(12) **United States Design Patent**  
**Renner**

(10) **Patent No.:** **US D754,336 S**  
(45) **Date of Patent:** **\*\* Apr. 19, 2016**

- (54) **BRONCHOSCOPE**
- (71) Applicant: **KARL STORZ GmbH & Co. KG**,  
Tuttlingen (DE)
- (72) Inventor: **Martin Renner**, Liptingen (DE)
- (73) Assignee: **KARL STORZ GmbH & Co. KG**,  
Tuttlingen (DE)
- (\*\*) Term: **14 Years**
- (21) Appl. No.: **29/501,201**
- (22) Filed: **Sep. 2, 2014**
- (51) **LOC (10) Cl.** ..... **24-02**
- (52) **U.S. Cl.**  
USPC ..... **D24/137**
- (58) **Field of Classification Search**  
USPC ..... D24/137, 133, 138, 146, 147; D16/131;  
600/105; 606/46  
CPC ..... A61B 1/00128; A61B 1/00133; A61B  
1/012; A61B 1/2676; A61B 1/00137; A61B  
1/018  
See application file for complete search history.

- 2010/0024823 A1\* 2/2010 Stenzler ..... A61M 16/0463  
128/205.24
- 2012/0152256 A1\* 6/2012 Brewer ..... A61M 16/0463  
128/207.14
- 2012/0232553 A1\* 9/2012 Bloom ..... A61B 18/1492  
606/46
- 2013/0160770 A1\* 6/2013 Brewer ..... A61M 16/0463  
128/207.14
- 2014/0194688 A1\* 7/2014 Ho ..... A61B 1/2676  
600/114
- 2015/0209553 A1\* 7/2015 Wang ..... A61K 31/337  
604/103.02

**OTHER PUBLICATIONS**

Karl Storz GmbH, "Rigid Bronchoscopy Universal Bronchoscopes for pediatrics and adults," Endoworld, Ent 120-1-E, pp. 1-20 (Sep. 2011).

\* cited by examiner

*Primary Examiner* — Wan Laymon

*Assistant Examiner* — Mark Booker

(74) *Attorney, Agent, or Firm* — Muncy, Geissler, Olds & Lowe, P.C.

(57) **CLAIM**

The ornamental design for a bronchoscope, as shown and described.

**DESCRIPTION**

FIG. 1 is a perspective view of a bronchoscope according to the present invention.

FIG. 2 is a left side view of the bronchoscope of FIG. 1.

FIG. 3 is a right side view of the bronchoscope of FIG. 1.

FIG. 4 is a rear view of the bronchoscope of FIG. 1.

FIG. 5 is front view of the bronchoscope of FIG. 1.

FIG. 6 is a top view of the bronchoscope of FIG. 1.

FIG. 7 is a bottom view of the bronchoscope of FIG. 1; and, FIG. 8 is an exploded perspective view of the bronchoscope of FIG. 1.

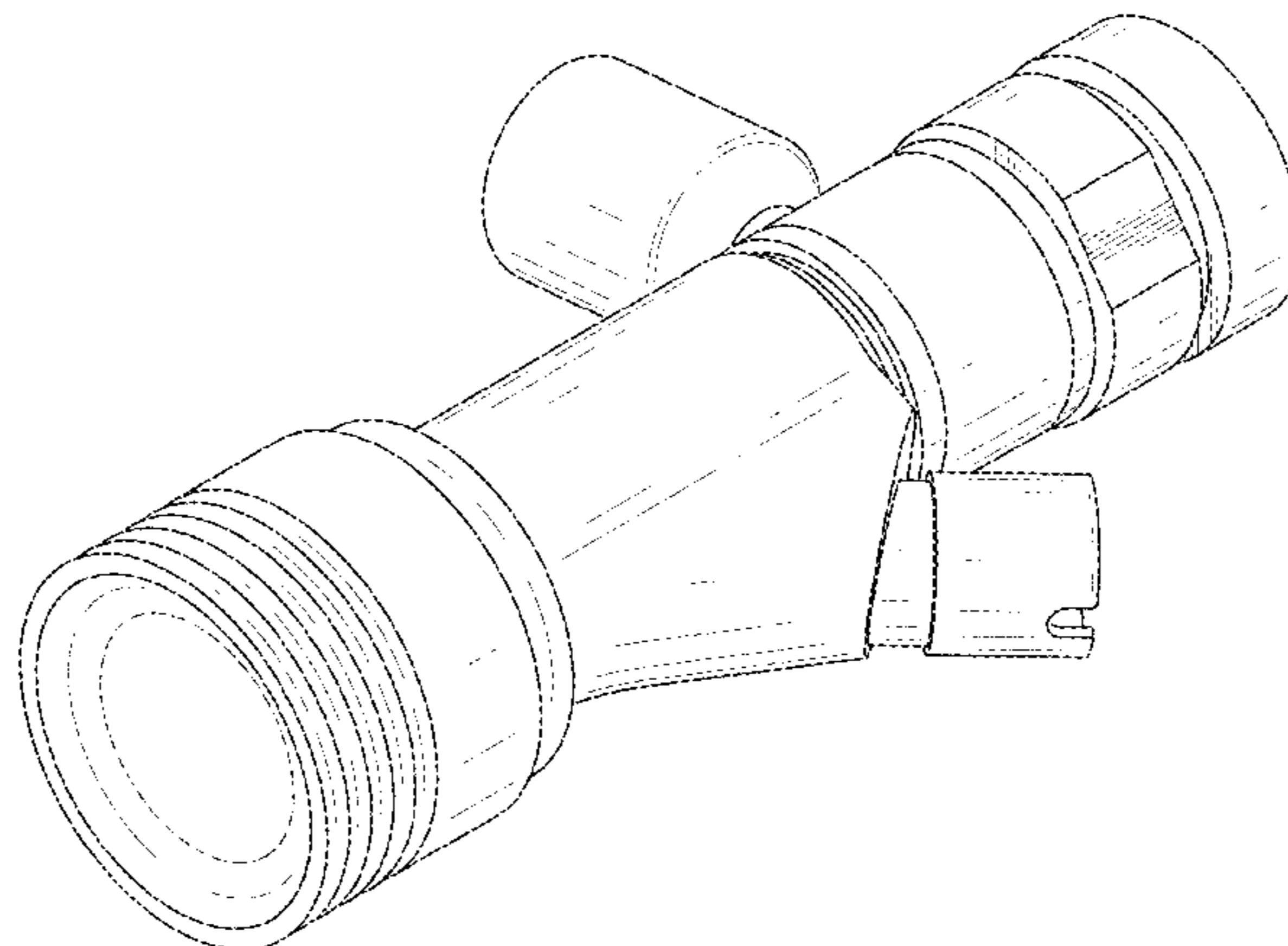
The dashed lines illustrate environment that does not form a part of the present invention, and no claim is made to the material illustrated with dashed lines.

**1 Claim, 8 Drawing Sheets**

(56) **References Cited**

**U.S. PATENT DOCUMENTS**

- D367,324 S \* 2/1996 McCarthy ..... D24/112
- D454,638 S \* 3/2002 Topala ..... D24/138
- 7,025,720 B2\* 4/2006 Boebel ..... A61B 1/00105  
600/105
- D631,545 S \* 1/2011 Halder ..... D24/137
- D663,027 S \* 7/2012 Halder ..... D24/137
- D667,545 S \* 9/2012 Czupalla ..... D24/137
- D667,546 S \* 9/2012 Becker ..... D24/138
- D682,423 S \* 5/2013 Becker ..... D24/133
- D716,942 S \* 11/2014 Eisenkolb ..... D24/138
- D717,432 S \* 11/2014 Leroy ..... D24/138
- D729,384 S \* 5/2015 Renner ..... D24/138
- 2006/0270907 A1\* 11/2006 Klemm ..... A61B 1/07  
600/177
- 2007/0276186 A1\* 11/2007 Renner ..... A61M 16/0488  
600/164



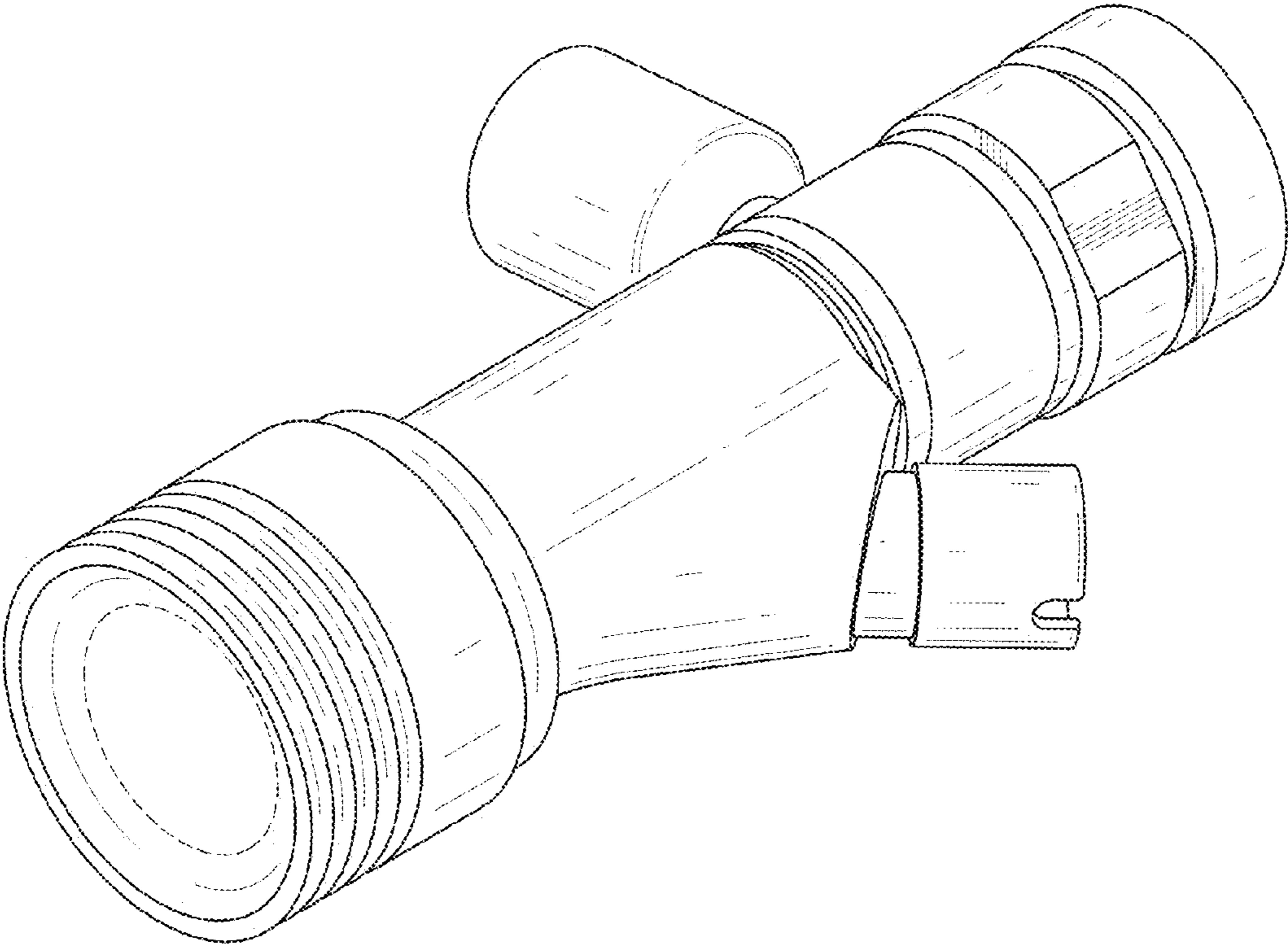


FIG.1

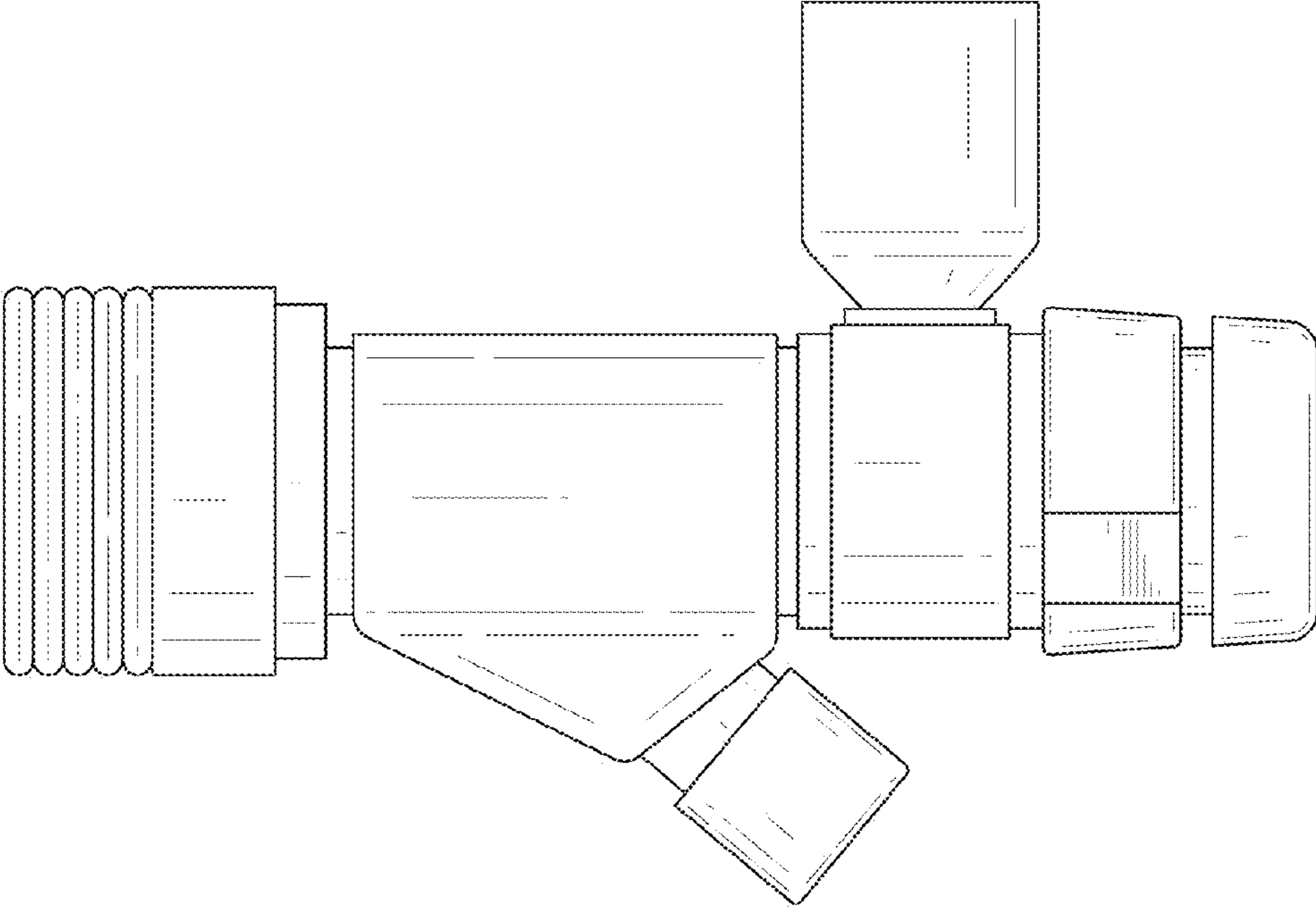


FIG.2

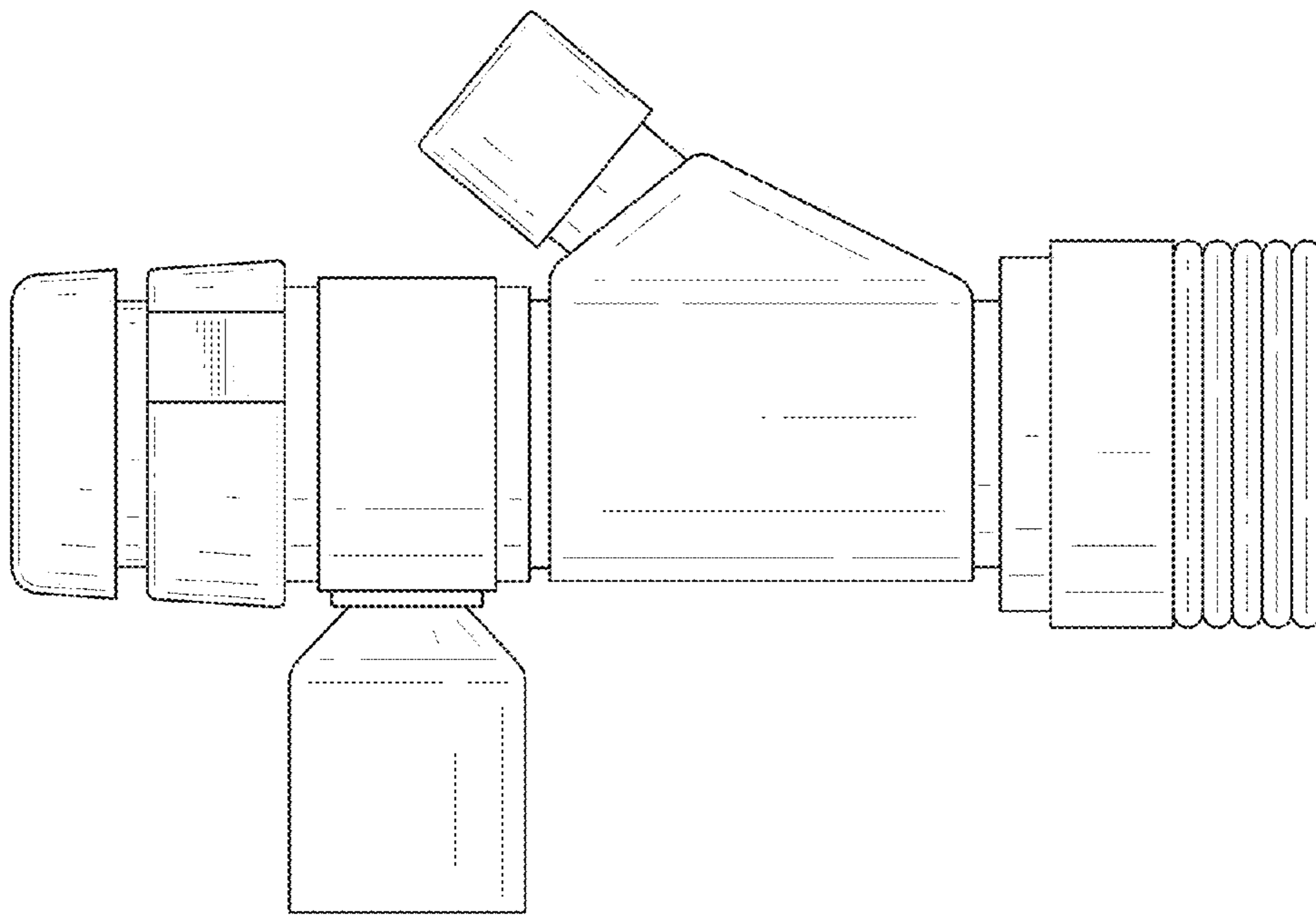


FIG.3

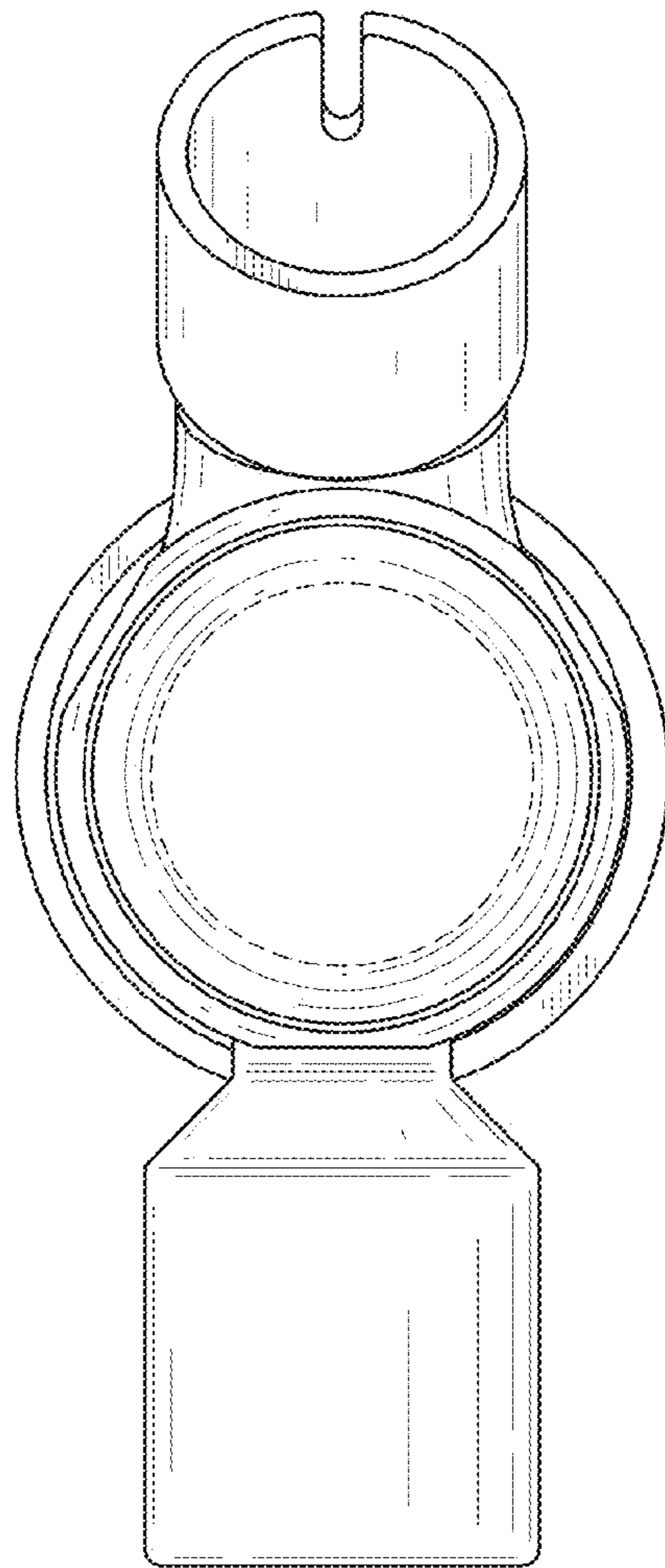


FIG.4

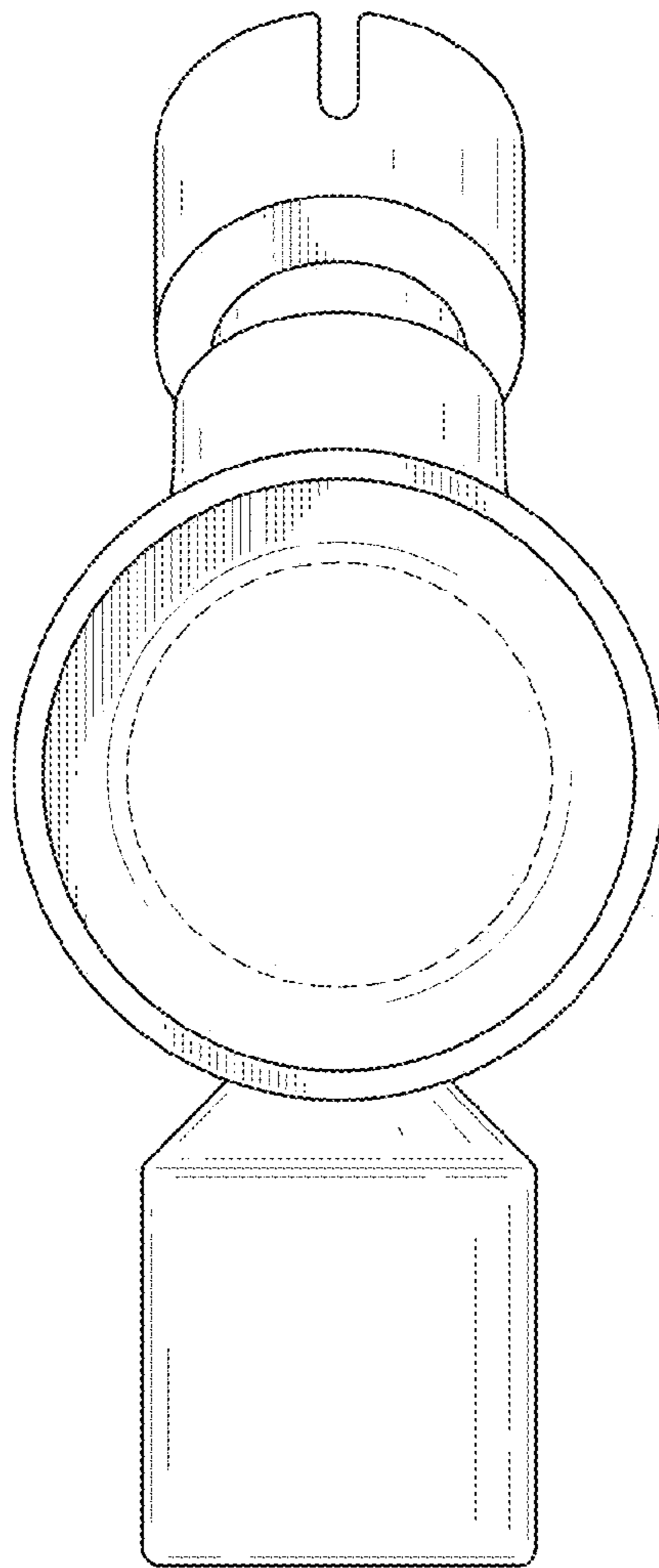


FIG. 5

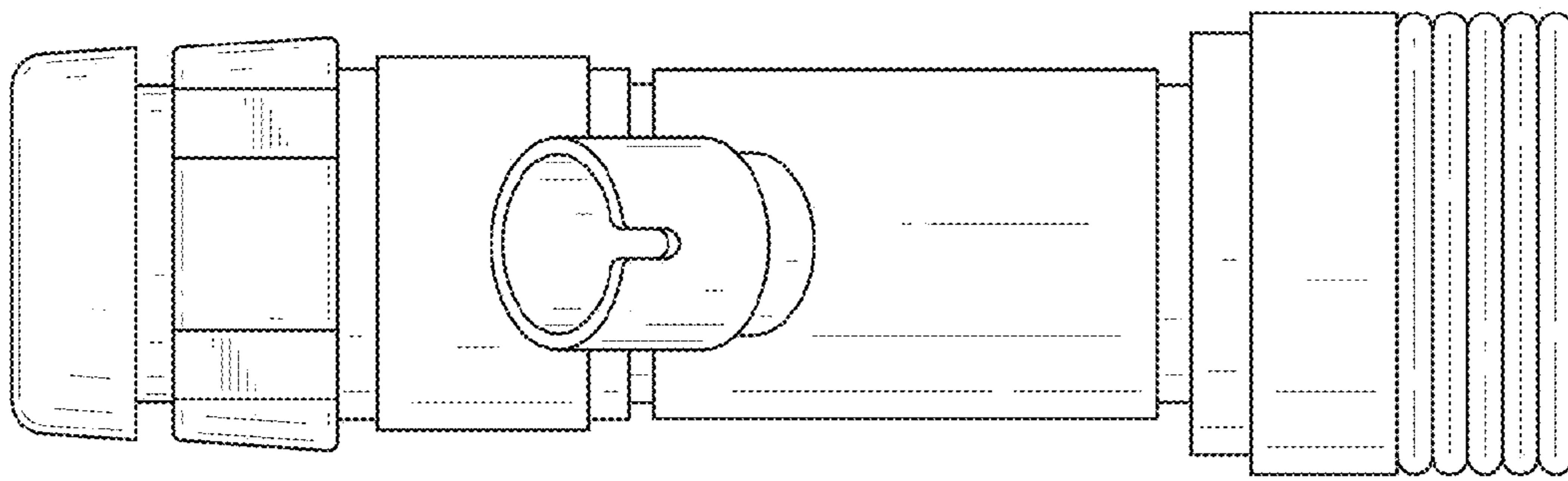


FIG.6

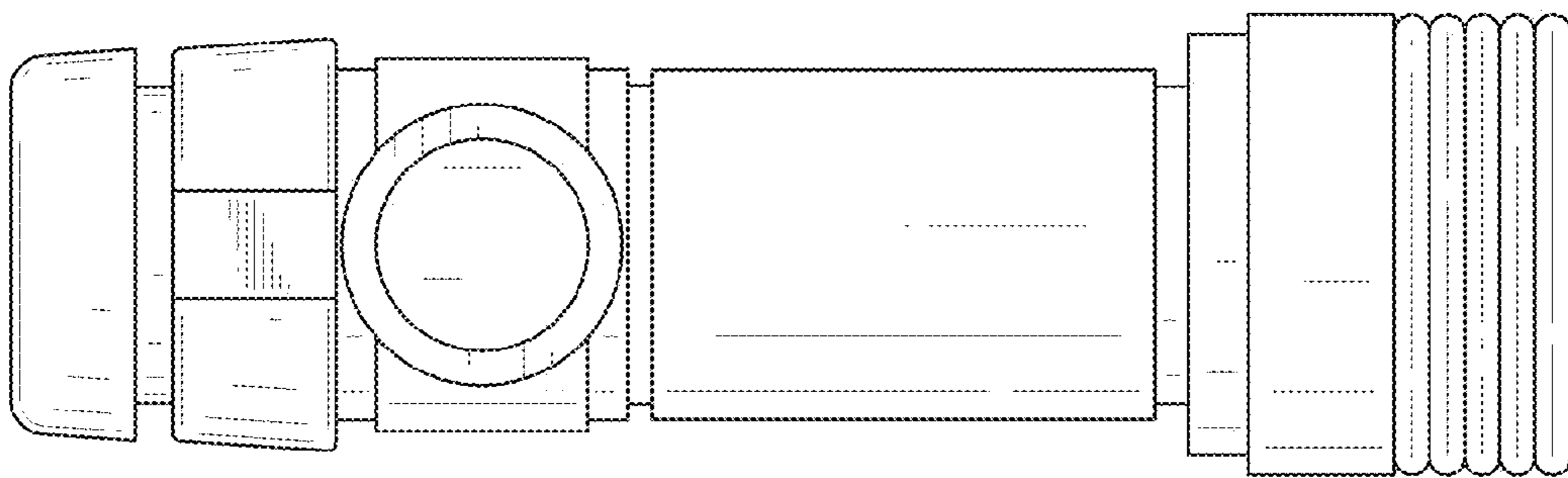


FIG.7



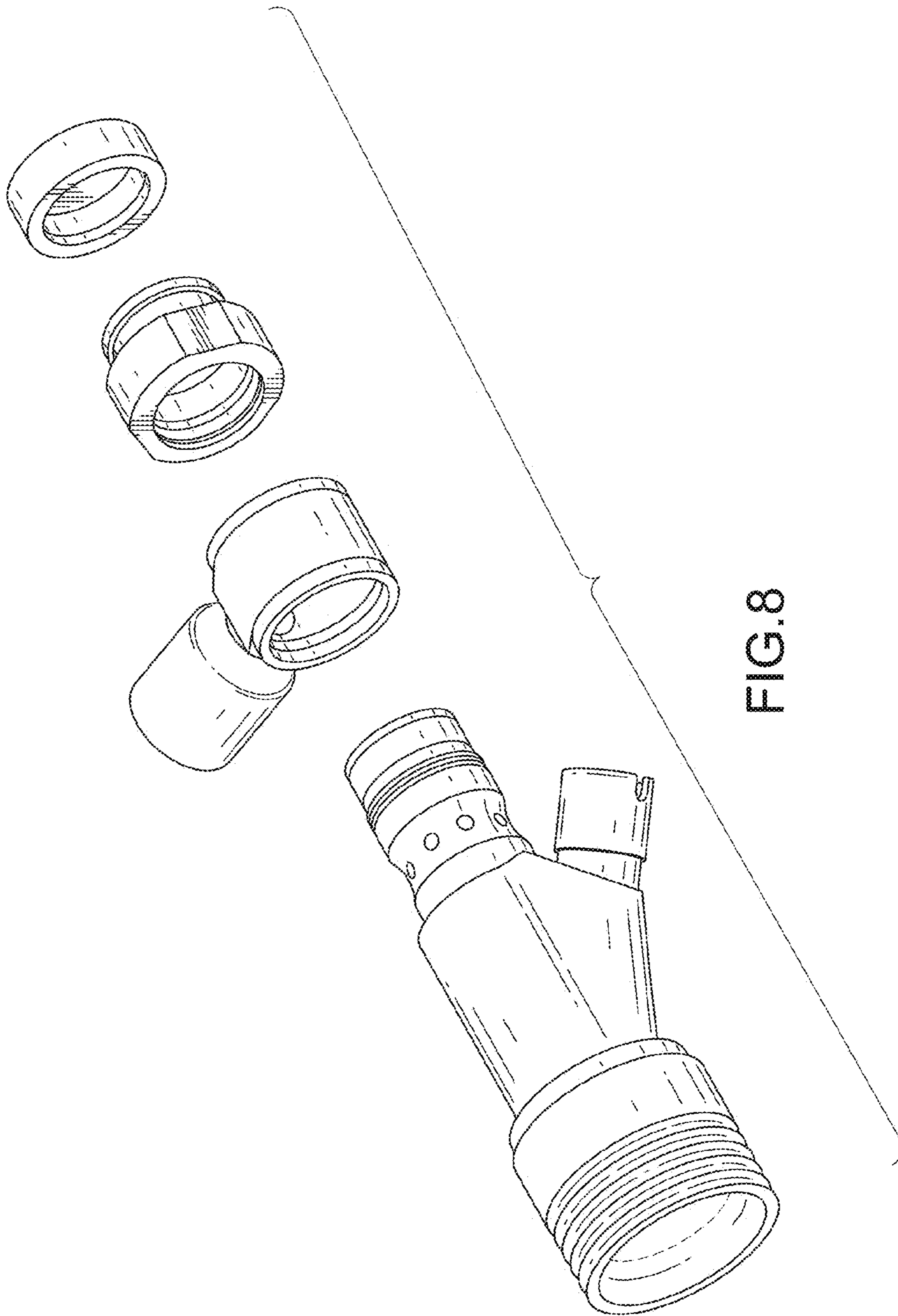


FIG. 8