



US00D754333S

(12) **United States Design Patent**
Tokumoto et al.

(10) **Patent No.:** **US D754,333 S**
(45) **Date of Patent:** **** Apr. 19, 2016**

(54) **APPLICATOR DEVICE**

4,747,842 A 5/1988 Dietz
5,290,301 A * 3/1994 Lieberman 606/166
5,292,203 A * 3/1994 Whitman 401/122

(71) Applicant: **Hisamitsu Pharmaceutical Co., Inc.**,
Tosu-shi, Saga (JP)

(Continued)

(72) Inventors: **Seiji Tokumoto**, Tsukuba (JP); **Makoto Ogura**, Tsukuba (JP); **Kazuya Machida**, Tsukuba (JP)

FOREIGN PATENT DOCUMENTS

CN 3643922 5/2007
KR 30-0289753 S 1/2002

(73) Assignee: **Hisamitsu Pharmaceutical Co., Inc.**,
Tosu-shi, Saga (JP)

(Continued)

(**) Term: **14 Years**

Primary Examiner — David Muller

(21) Appl. No.: **29/470,047**

(74) *Attorney, Agent, or Firm* — Jeremy Jay

(22) Filed: **Oct. 17, 2013**

(57)

CLAIM

The ornamental design for an applicator device, as shown and described.

Related U.S. Application Data

DESCRIPTION

(62) Division of application No. 29/390,001, filed on Apr. 19, 2011, now Pat. No. Des. 699,344.

FIG. 1 is a front elevation view of an applicator device of the present invention.

(30) **Foreign Application Priority Data**

FIG. 2 is a rear elevation view thereof.

Oct. 21, 2010 (JP) 2010-025278
Oct. 21, 2010 (JP) 2010-025279

FIG. 3 is a top plan view thereof.

(51) **LOC (10) Cl.** **24-02**

FIG. 4 is a bottom plan view thereof.

(52) **U.S. Cl.**
USPC **D24/119**

FIG. 5 is a right side elevation view thereof.

(58) **Field of Classification Search**
USPC D24/119, 133, 141; 606/162, 180;
D28/7, 8; 604/1, 2, 19, 3, 309, 73, 540;
132/317; 600/572; 401/196
See application file for complete search history.

FIG. 6 is a left side elevation view thereof.

(56) **References Cited**

U.S. PATENT DOCUMENTS

1,033,099 A 7/1912 Harrison
2,932,277 A 4/1960 Borah
4,526,171 A 7/1985 Schachar
4,589,412 A 5/1986 Kensey

FIG. 7 is a perspective view thereof from above.

FIG. 8 is a perspective view thereof from below.

FIG. 9 is a perspective view thereof from above showing the article with the cap down.

FIG. 10 is a perspective view thereof from below showing the article with the cap down.

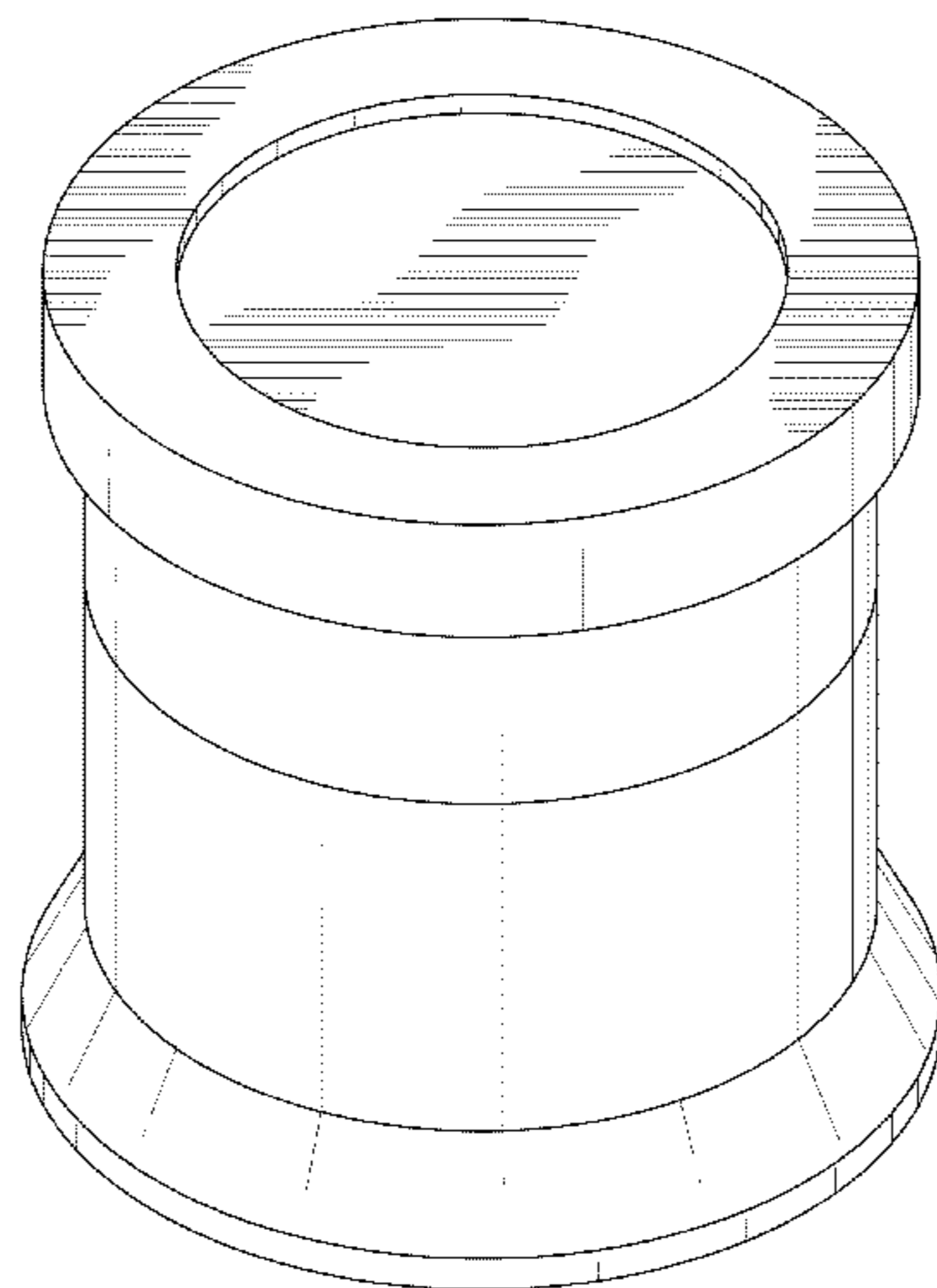
FIG. 11 is a sectional view thereof taken along line 11-11 in FIG. 5.

FIG. 12 is a sectional view thereof taken along line 11-11 in FIG. 5 showing the article with the cap down; and,

FIG. 13 is a sectional view thereof taken along line 11-11 in FIG. 5, showing the occasion of use.

The features shown in broken lines depict environmental subject matter only and form no part of the claimed design.

1 Claim, 13 Drawing Sheets



(56)

References Cited

U.S. PATENT DOCUMENTS

5,676,643 A * 10/1997 Cann et al. 604/1
 5,904,664 A 5/1999 Kim
 6,298,863 B1 10/2001 Byun
 6,773,187 B2 * 8/2004 Gueret 401/130
 7,083,354 B2 * 8/2006 Byun 401/263
 D544,955 S * 6/2007 Carson et al. D24/107
 7,226,227 B2 * 6/2007 Gueret 401/18
 7,381,003 B1 6/2008 Chang
 D598,173 S 8/2009 Hartel
 7,628,158 B2 * 12/2009 Yang 128/897
 D612,939 S 3/2010 Boone et al.

7,993,871 B2 8/2011 Skiffington et al.
 D662,260 S * 6/2012 Pires et al. D28/77
 D674,485 S * 1/2013 Flyash et al. D24/133
 D676,960 S * 2/2013 Flyash et al. D24/133
 D710,498 S * 8/2014 Koshidaka D24/130
 D721,806 S * 1/2015 Higgins et al. D24/140

FOREIGN PATENT DOCUMENTS

KR 30-0451541 S 6/2007
 TW D132699 S 12/2009
 TW D133128 S 1/2010

* cited by examiner

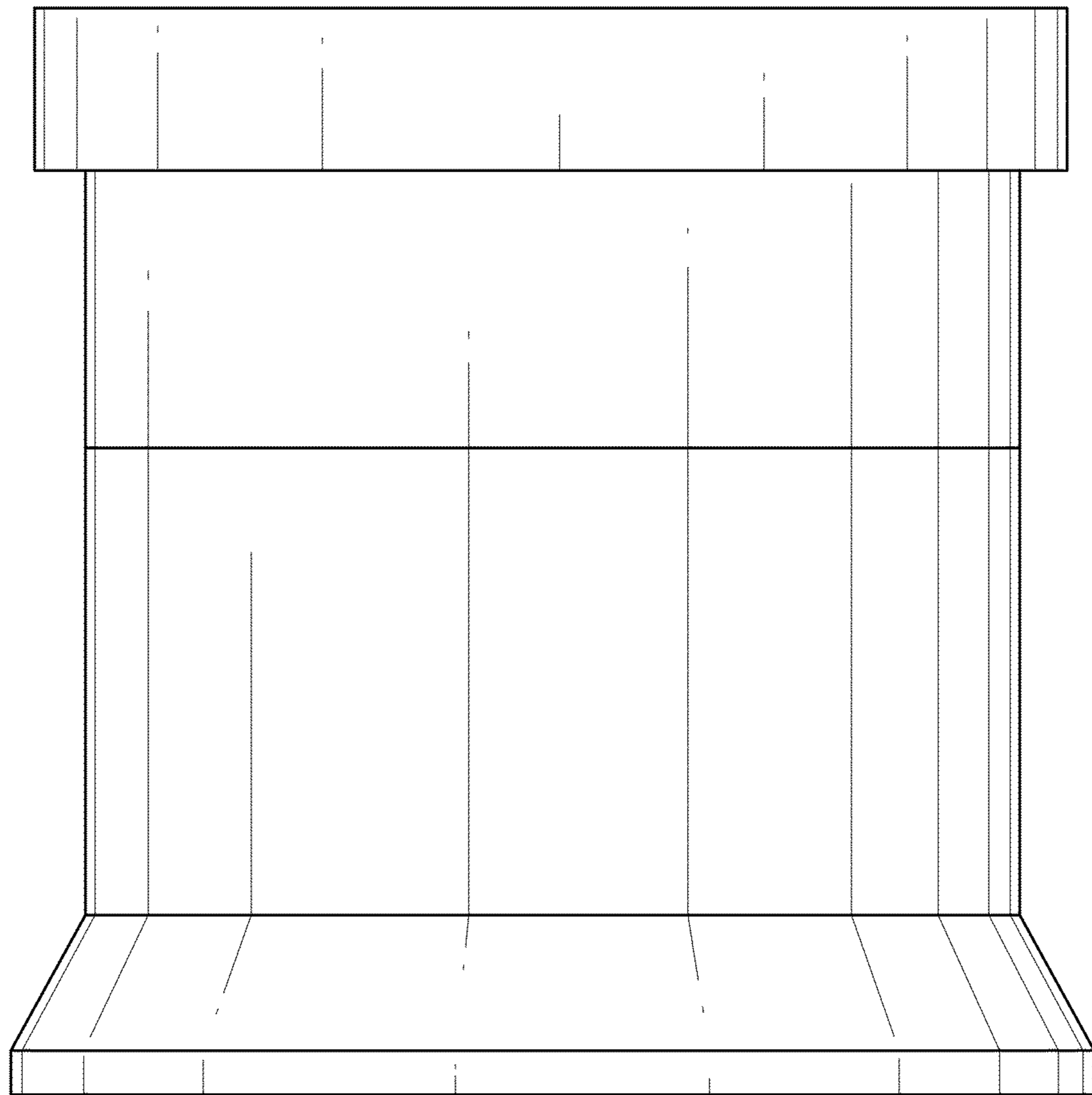


FIG. 1

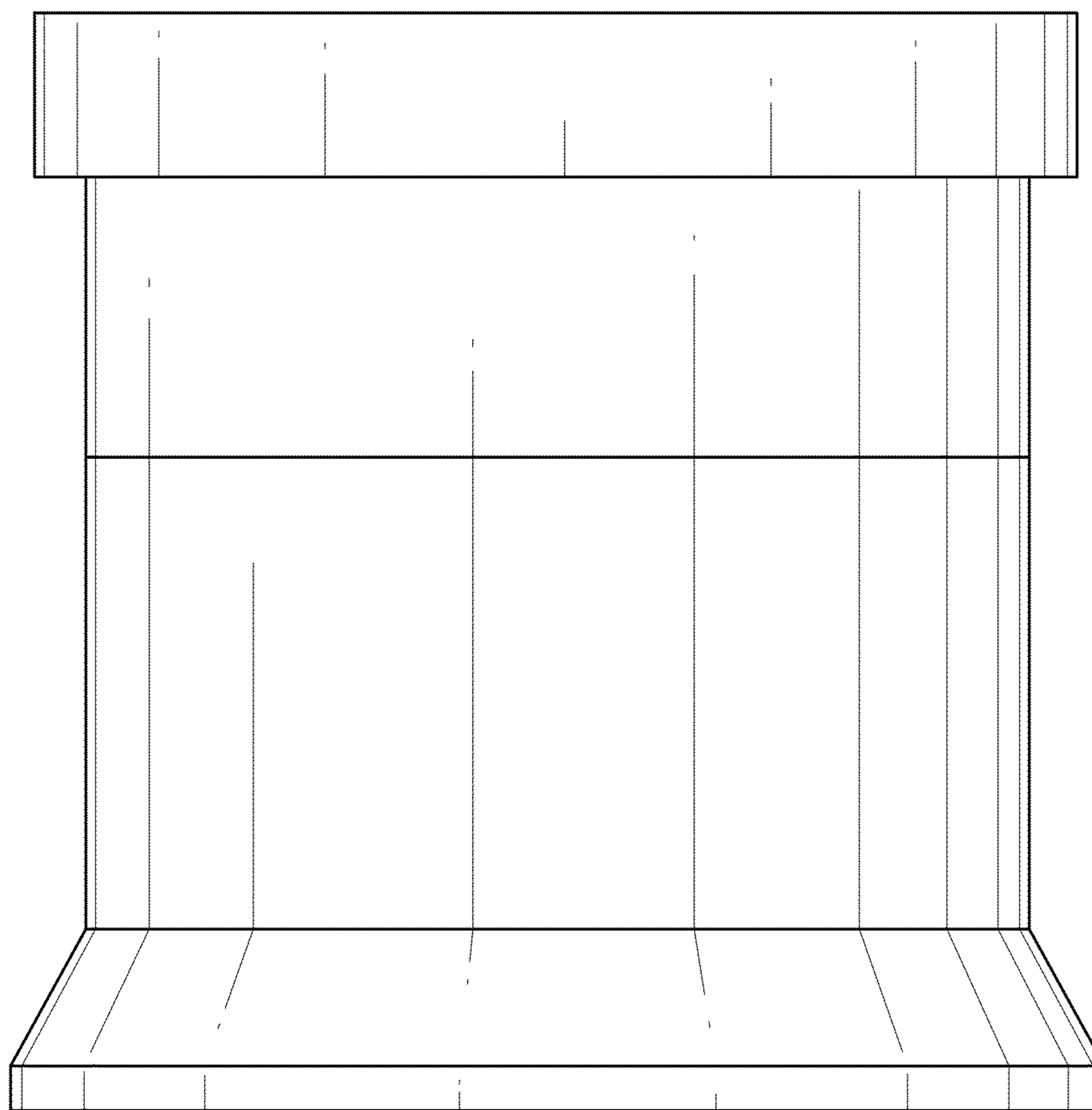


FIG. 2

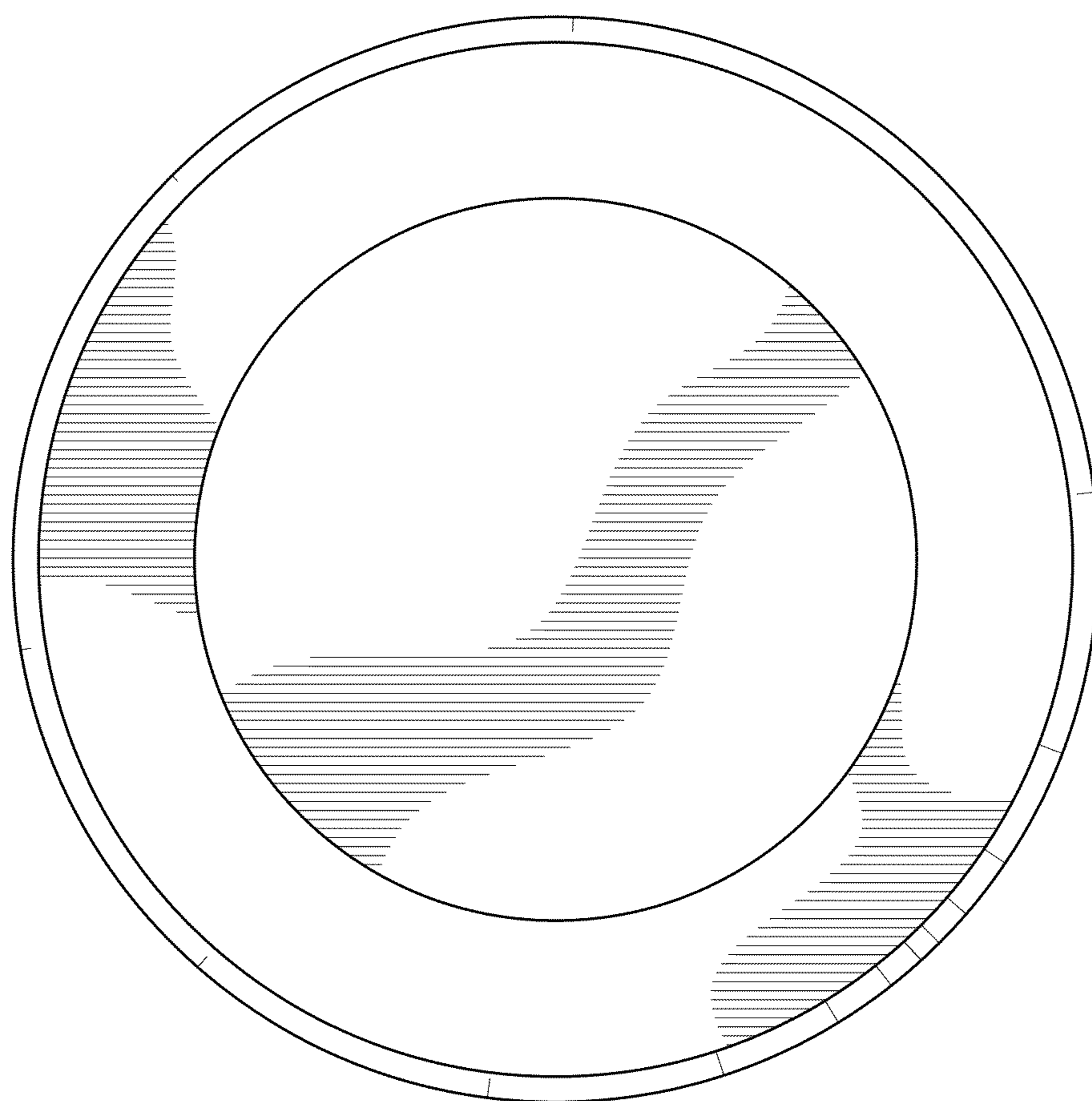


FIG. 3

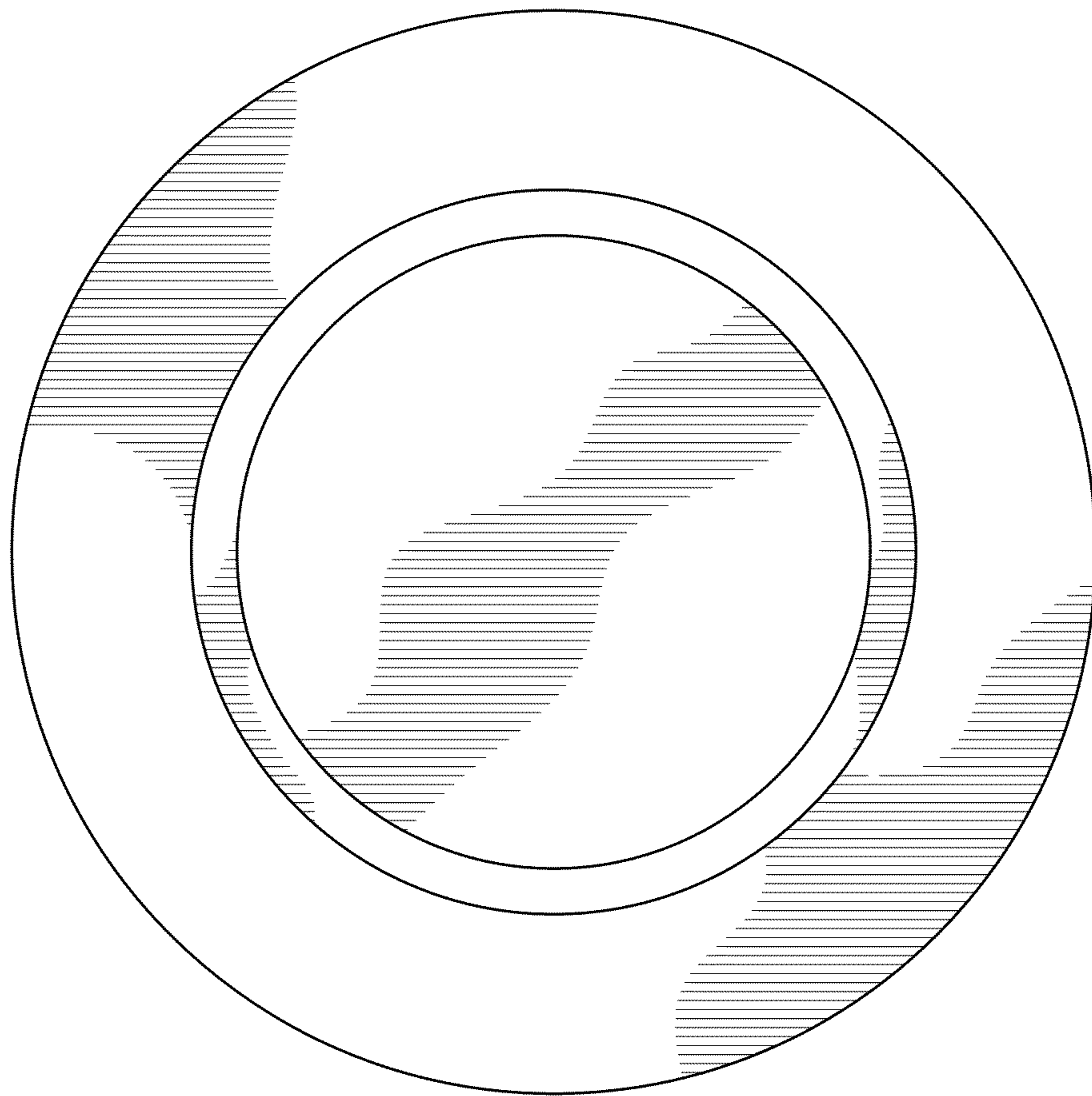


FIG. 4

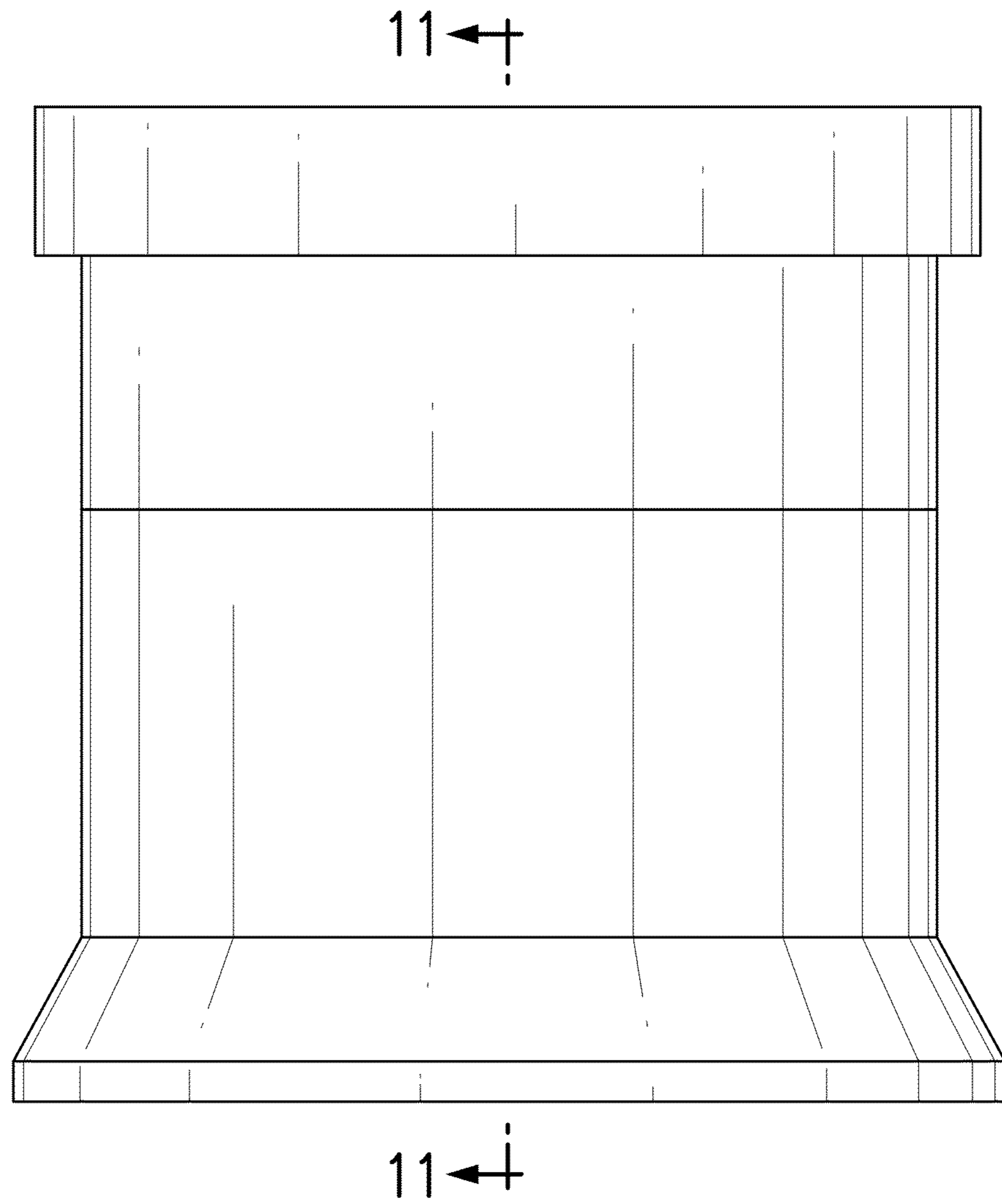


FIG. 5

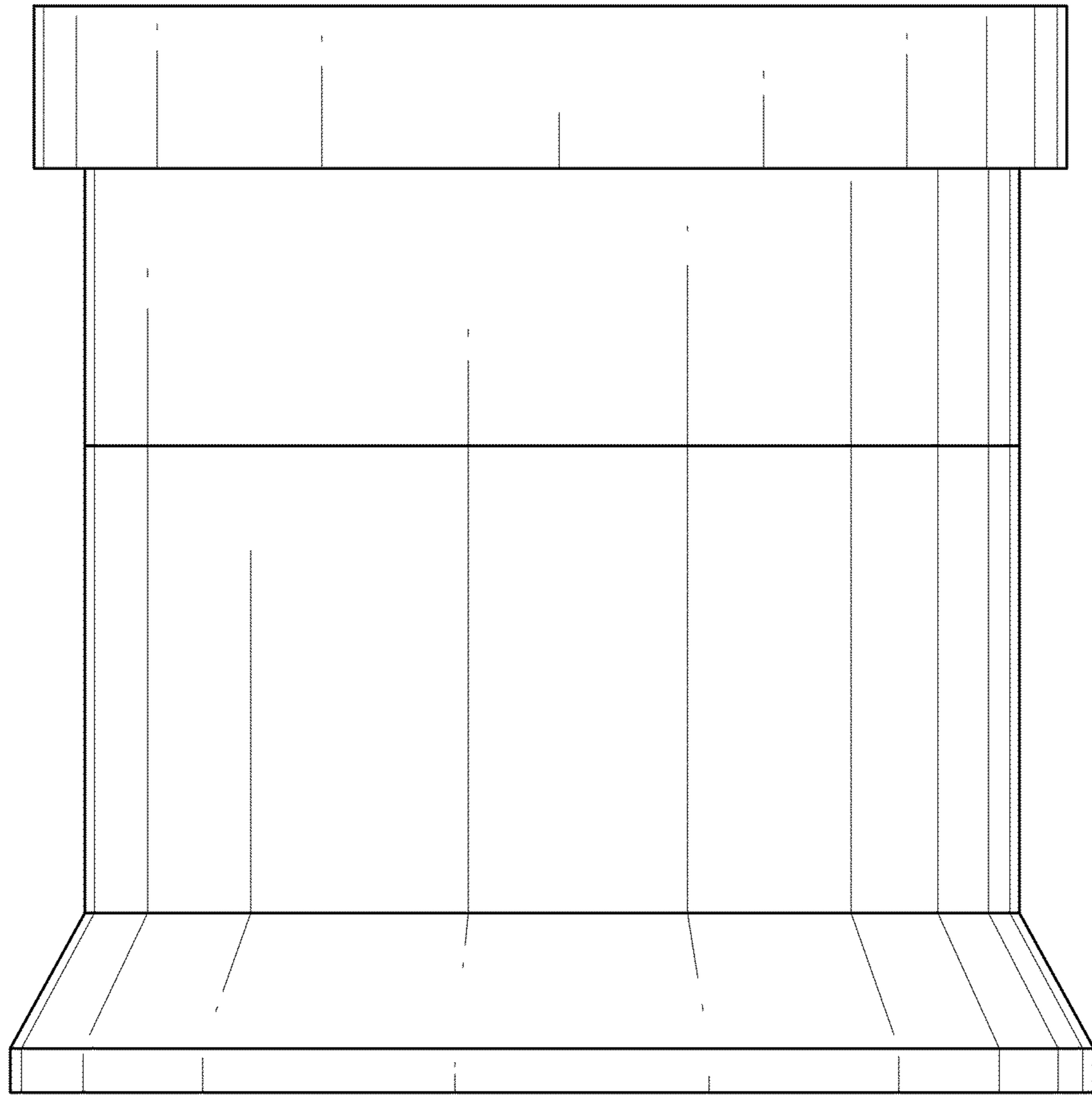


FIG. 6

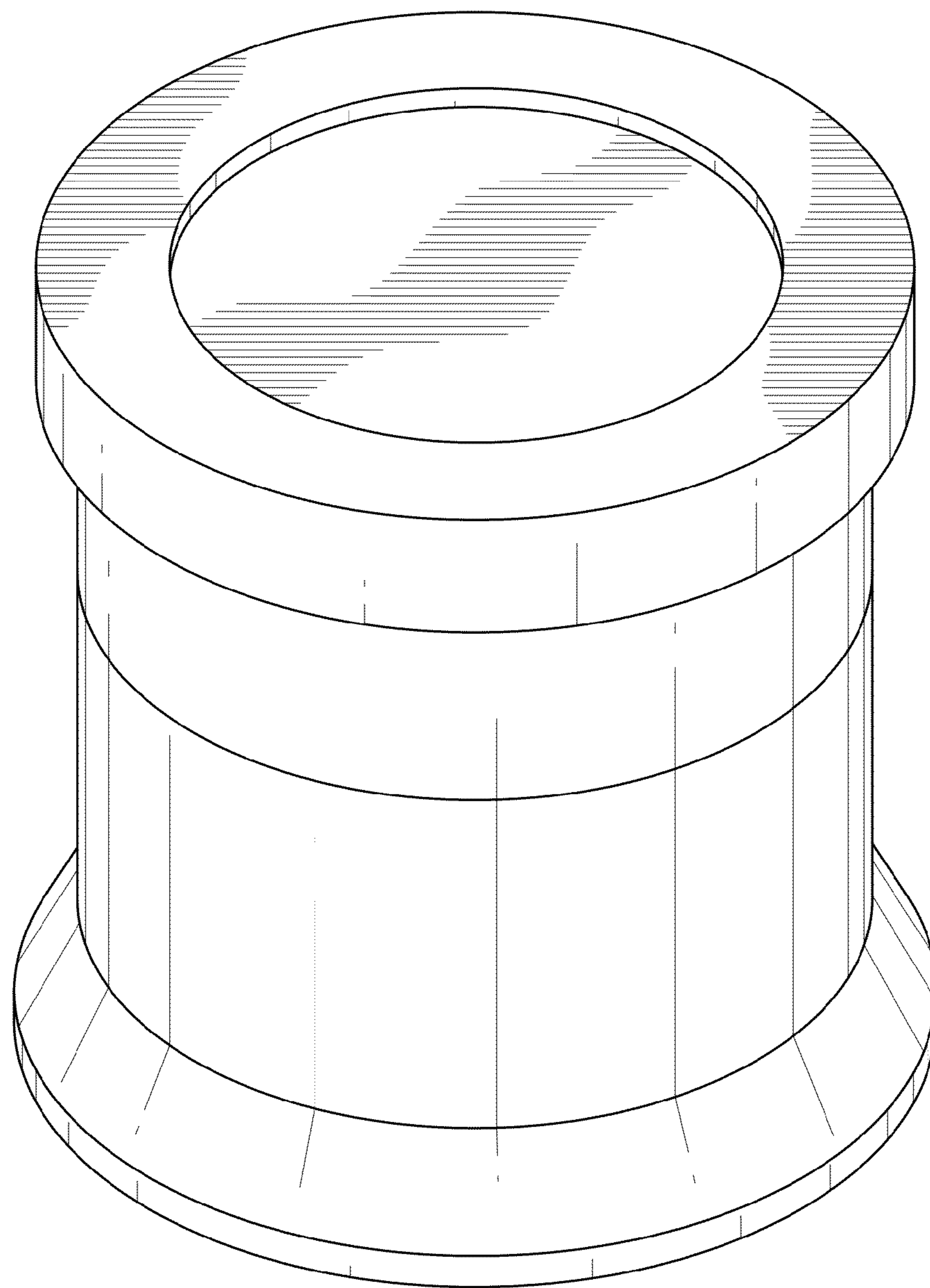


FIG. 7

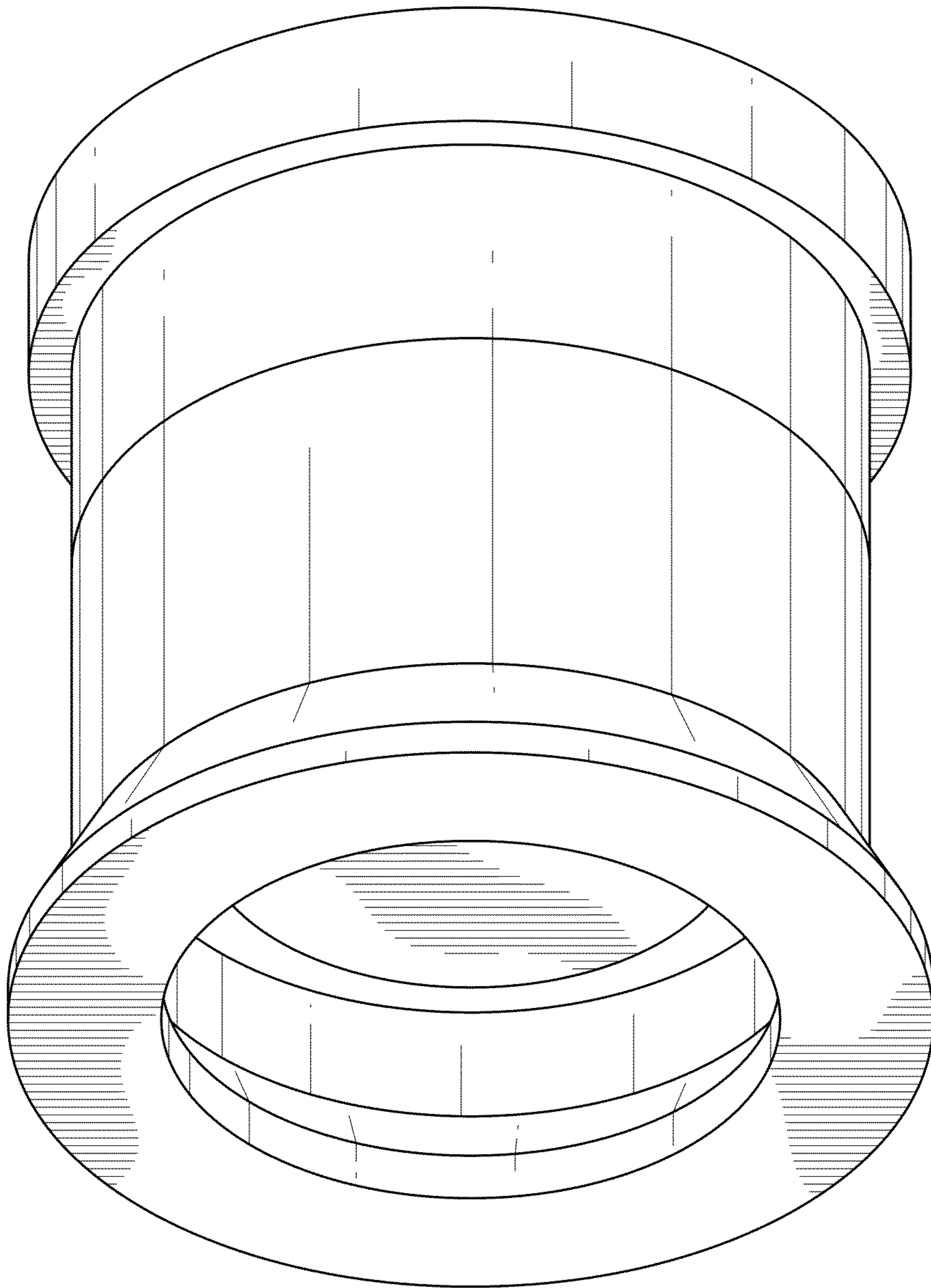


FIG. 8

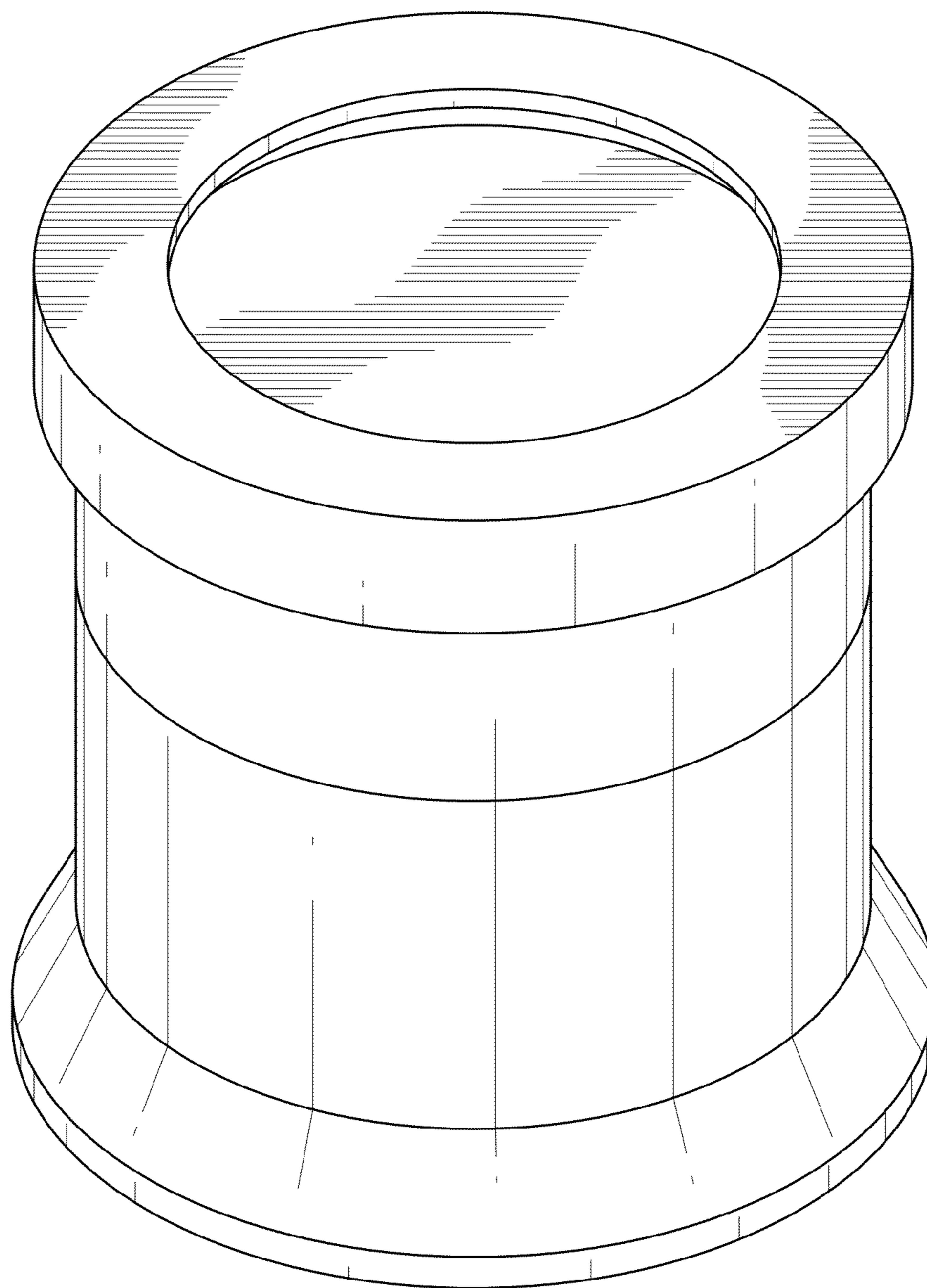


FIG. 9

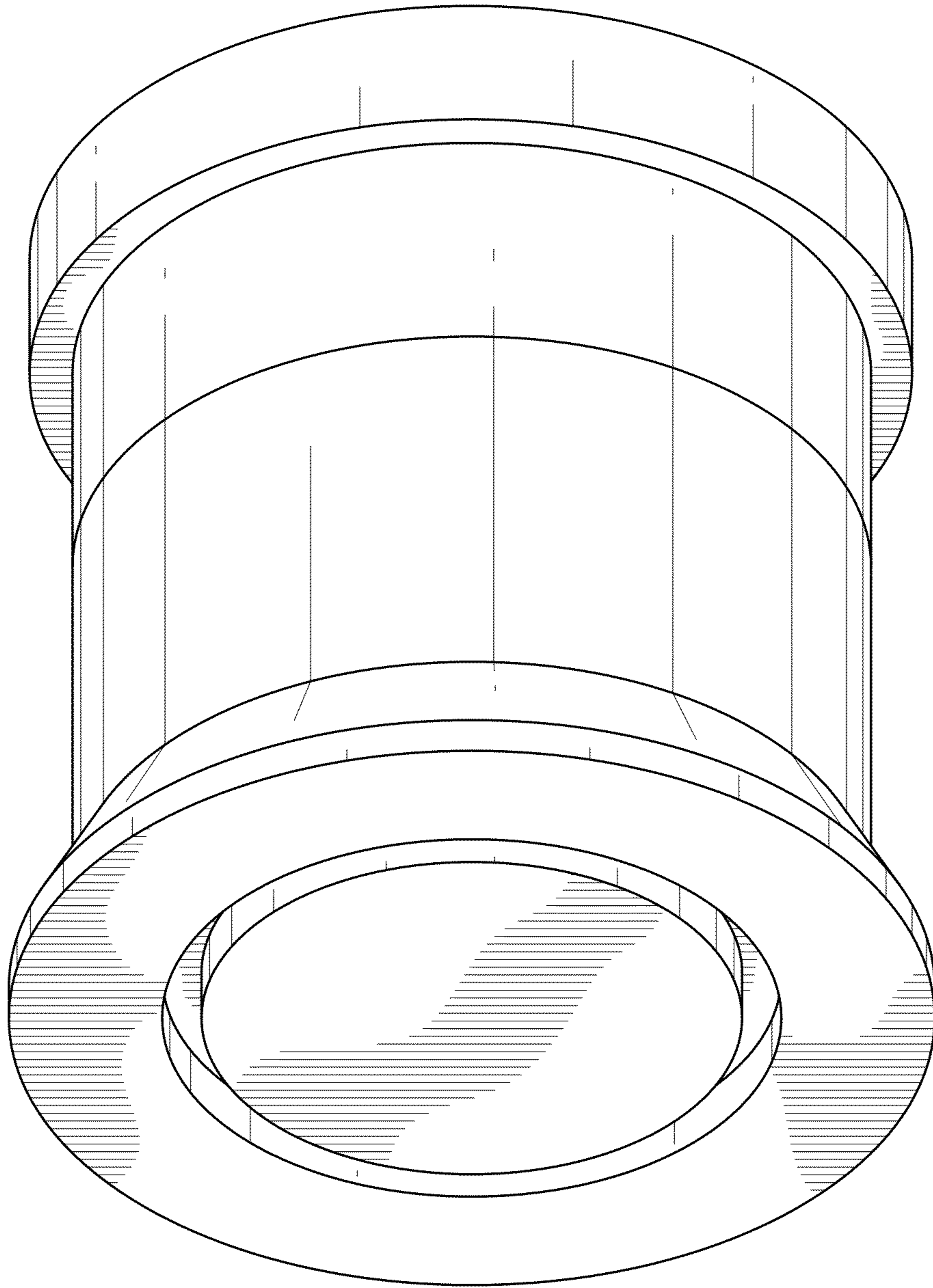


FIG. 10

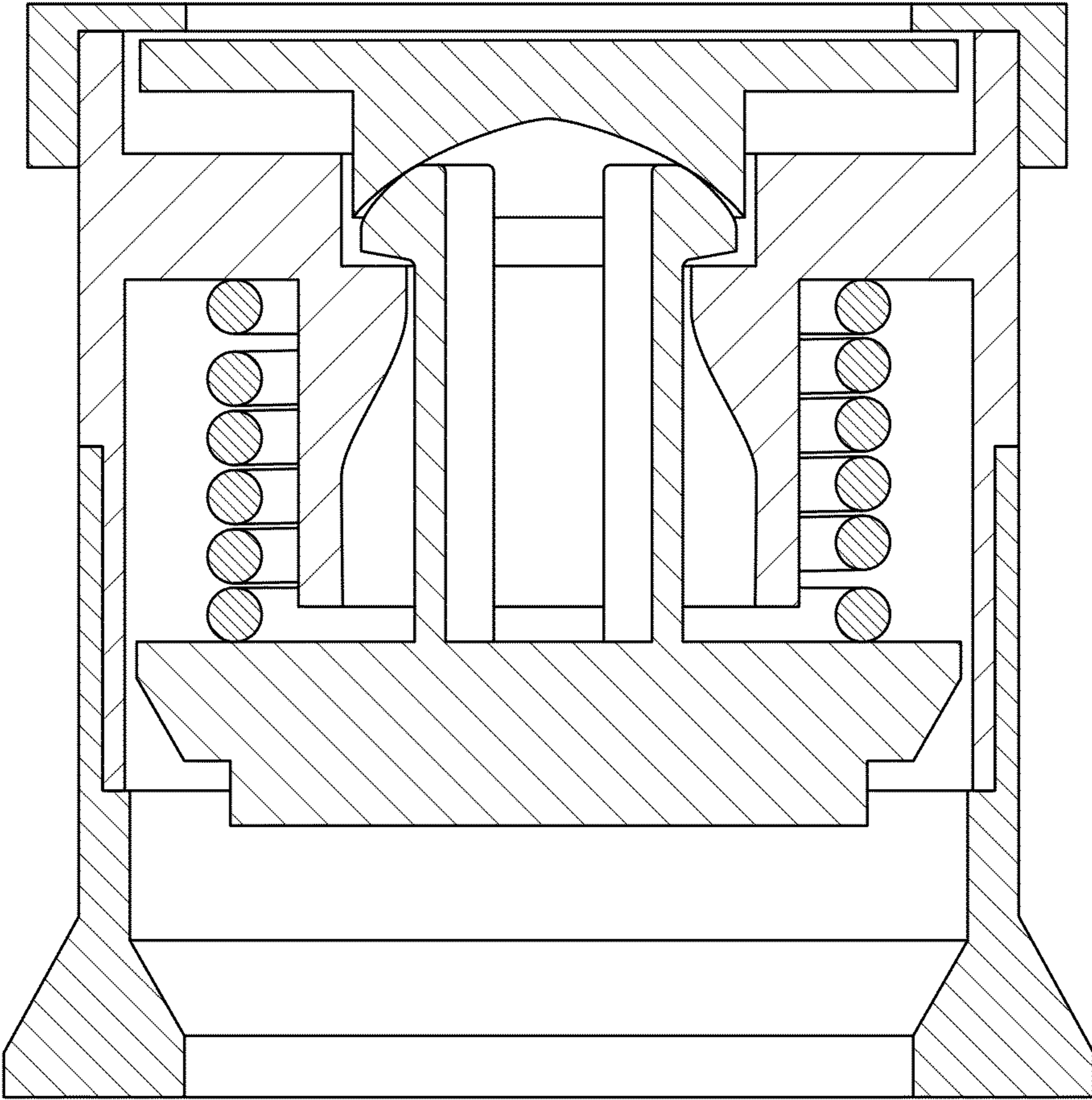


FIG. 11

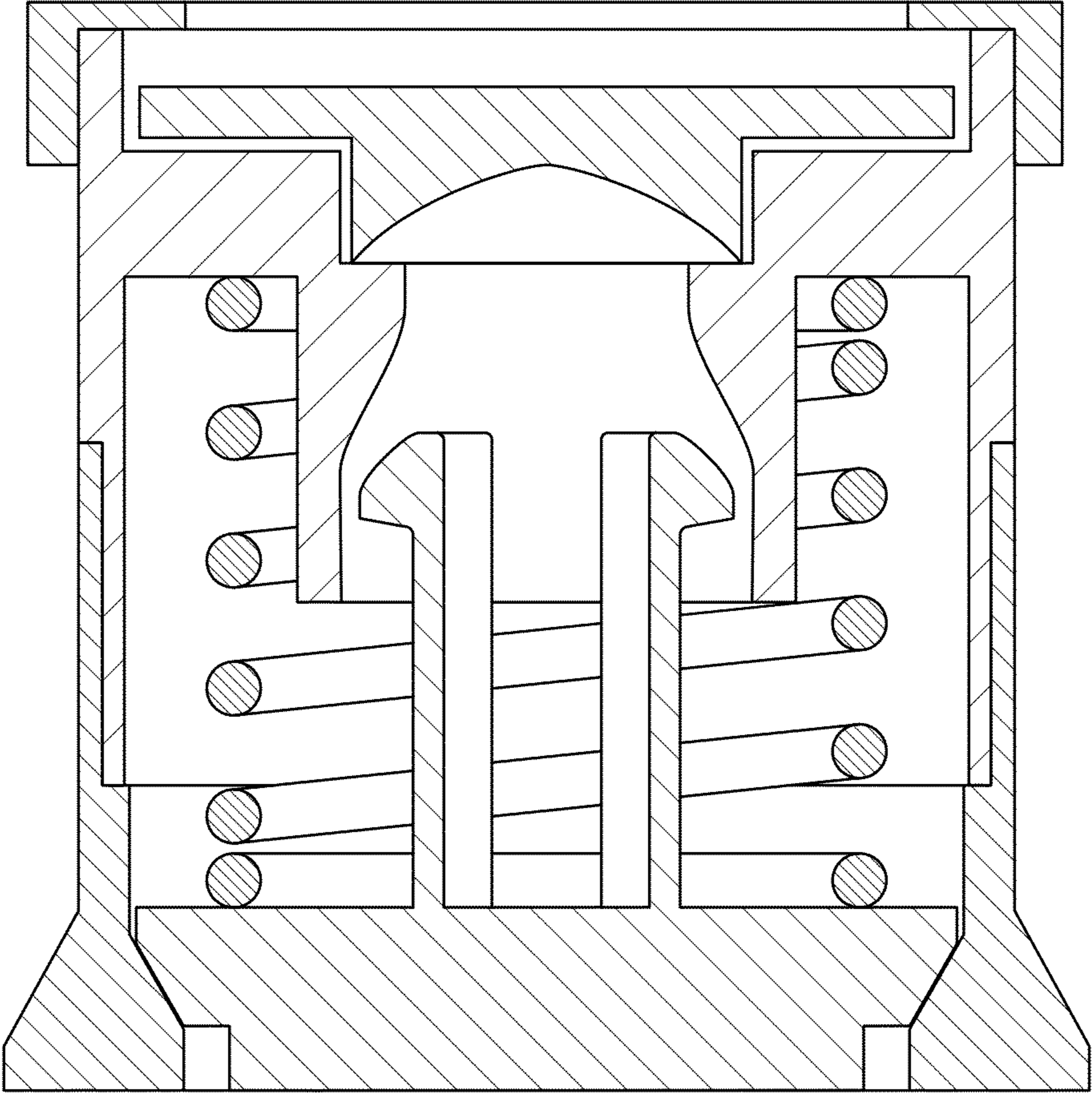


FIG. 12

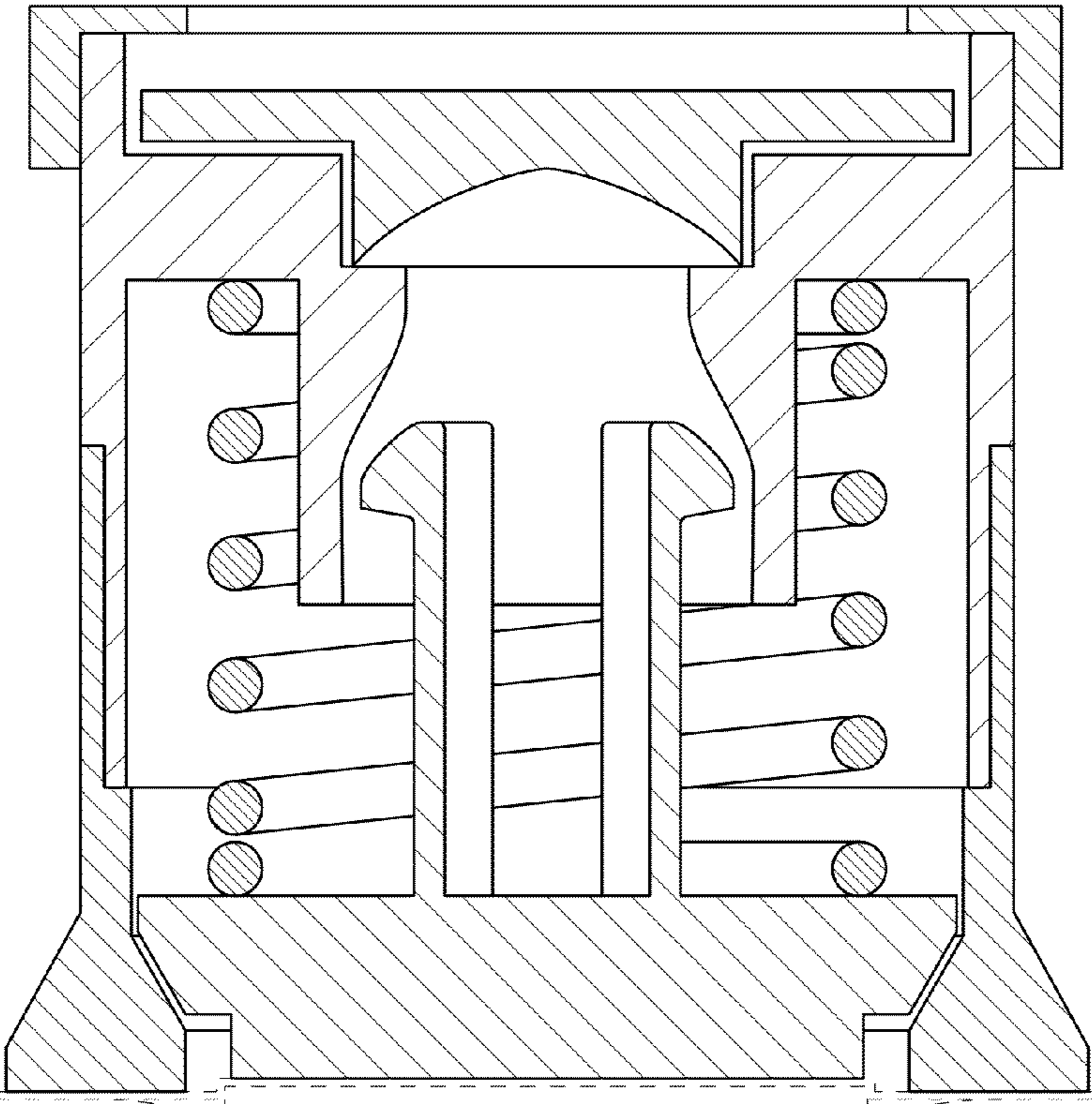


FIG. 13