



US00D754331S

(12) **United States Design Patent**  
**Wargner et al.**

(10) **Patent No.:** **US D754,331 S**  
(45) **Date of Patent:** **\*\* Apr. 19, 2016**

(54) **INTRAOCULAR LENS IMPLANTATION DEVICE**

(71) Applicant: **Santen Pharmaceutical Co., Ltd.**,  
Osaka-shi, Osaka (JP)

(72) Inventors: **Christian Winfried Wargner**, Osaka (JP); **Yoshitaka Yamada**, Osaka (JP); **Katsuyuki Ueno**, Osaka (JP)

(73) Assignee: **Santen Pharmaceutical Co., Ltd.**,  
Osaka-shi, Osaka (JP)

(\*\*) Term: **14 Years**

(21) Appl. No.: **29/442,740**

(22) Filed: **Apr. 29, 2013**

(30) **Foreign Application Priority Data**

Oct. 30, 2012	(JP)	.....	2012-026396
Oct. 30, 2012	(JP)	.....	2012-026397
Oct. 30, 2012	(JP)	.....	2012-026398
Oct. 30, 2012	(JP)	.....	2012-026399
Apr. 19, 2013	(JP)	.....	2013-008901

(51) **LOC (10) Cl.** ..... **24-02**

(52) **U.S. Cl.**  
USPC ..... **D24/112**

(58) **Field of Classification Search**  
USPC ..... D24/110.6, 112-118, 120, 121, 127,  
D24/130, 131; 600/5, 356; 623/6.12;  
606/107, 6.38, 166

See application file for complete search history.

(56) **References Cited**

**U.S. PATENT DOCUMENTS**

5,873,879	A *	2/1999	Figuerola et al.	.....	606/107
6,312,433	B1 *	11/2001	Butts et al.	.....	606/107
6,371,960	B2 *	4/2002	Heyman et al.	.....	606/107
D474,838	S *	5/2003	Mahurkar	.....	D24/112
6,923,815	B2 *	8/2005	Brady et al.	.....	606/107
D645,958	S *	9/2011	Assmann et al.	.....	D24/113

(Continued)

*Primary Examiner* — Ian Simmons

*Assistant Examiner* — Samantha Q Lawrence

(74) *Attorney, Agent, or Firm* — Squire Patton Boggs (US) LLP

(57) **CLAIM**

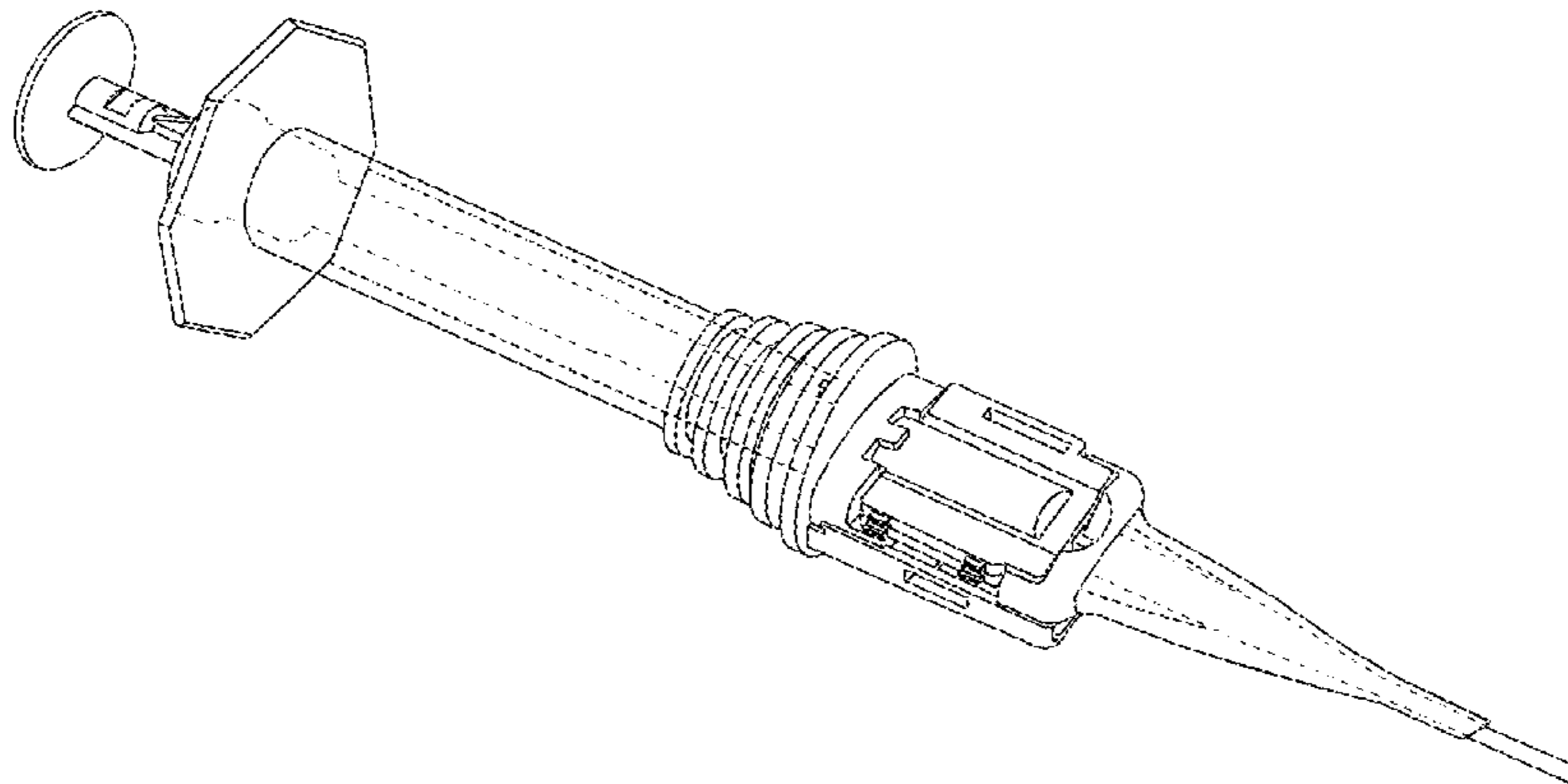
The ornamental design for an intraocular lens implantation device, as shown and described.

**DESCRIPTION**

FIG. 1 is a front view of an intraocular lens implantation device showing our new design;  
 FIG. 2 is a rear view thereof;  
 FIG. 3 is a left side view thereof;  
 FIG. 4 is a right side view thereof;  
 FIG. 5 is a top plan view thereof;  
 FIG. 6 is a bottom view thereof;  
 FIG. 7 is a top perspective view thereof;  
 FIG. 8 is a bottom perspective view thereof;  
 FIG. 9 is a reference top perspective view depicted as non-transparent body thereof; and  
 FIG. 10 is a bottom reference perspective view depicted as non-transparent body thereof;  
 FIG. 11 is a front reference view depicted as non-transparent body thereof;  
 FIG. 12 is a rear reference view depicted as non-transparent body thereof;  
 FIG. 13 is a left side reference view depicted as non-transparent body thereof;  
 FIG. 14 is a right side reference view depicted as non-transparent body thereof;  
 FIG. 15 is a top plan reference view depicted as non-transparent body thereof; and,  
 FIG. 16 is a bottom reference view depicted as non-transparent body thereof.

In FIGS. 1-8, the article to the present design is depicted as transparent body except for the extrusion bar.  
 The broken lines shown in FIGS. 1-8 and FIG. 14 illustrate portions of the intraocular lens implantation device that form no part of the claimed design.

**1 Claim, 16 Drawing Sheets**



(56)

**References Cited**

U.S. PATENT DOCUMENTS

8,273,122	B2 *	9/2012	Anderson	623/6.12	2006/0085019	A1 *	4/2006	Cote et al.	606/167
D674,086	S *	1/2013	Khalaj	D24/114	2007/0050023	A1 *	3/2007	Bessiere et al.	623/6.12
D681,808	S *	5/2013	Holaschke et al.	D24/114	2007/0150054	A1 *	6/2007	Pynson	623/6.12
8,435,289	B2 *	5/2013	Cole et al.	623/6.12	2008/0004608	A1 *	1/2008	Dacquay et al.	606/4
D690,417	S *	9/2013	Solomon	D24/114	2009/0118703	A1 *	5/2009	Orilla et al.	604/521
D700,321	S *	2/2014	Strong	D24/130	2010/0076419	A1 *	3/2010	Chew et al.	606/6
2002/0193804	A1 *	12/2002	Tickle	606/107	2010/0152646	A1 *	6/2010	Girijavallabhan et al.	604/22
2003/0139809	A1 *	7/2003	Worst et al.	623/6.12	2012/0022547	A1 *	1/2012	Hildebrand et al.	606/107
2003/0181921	A1 *	9/2003	Jeannin et al.	606/107	2012/0221102	A1 *	8/2012	Tanaka et al.	623/6.12
2004/0199173	A1 *	10/2004	Meyer	606/107	2014/0110289	A1 *	4/2014	Geuder	206/364
2004/0243141	A1 *	12/2004	Brown et al.	606/107	2014/0135784	A1 *	5/2014	Maroscheck et al.	606/107
					2014/0200588	A1 *	7/2014	Anderson et al.	606/107
					2014/0257317	A1 *	9/2014	Safabash	606/107

\* cited by examiner

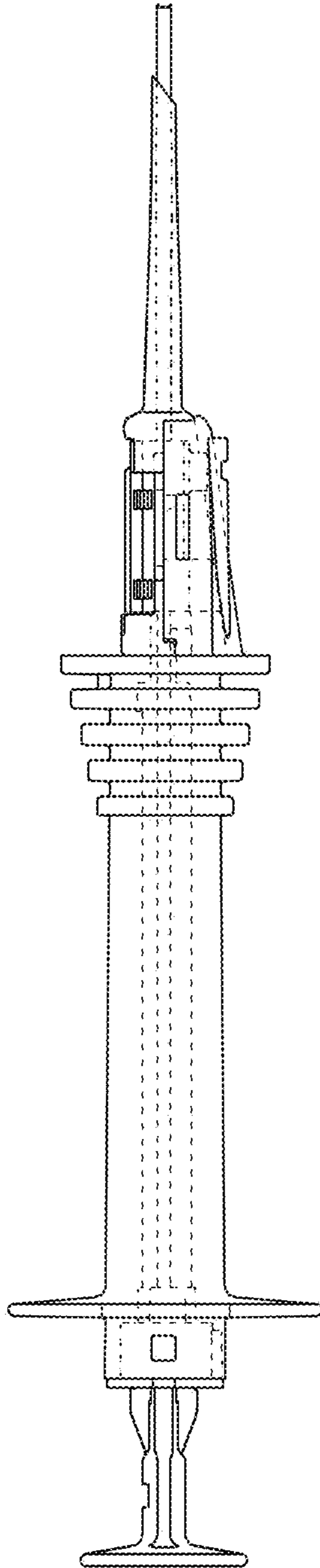


FIG. 1

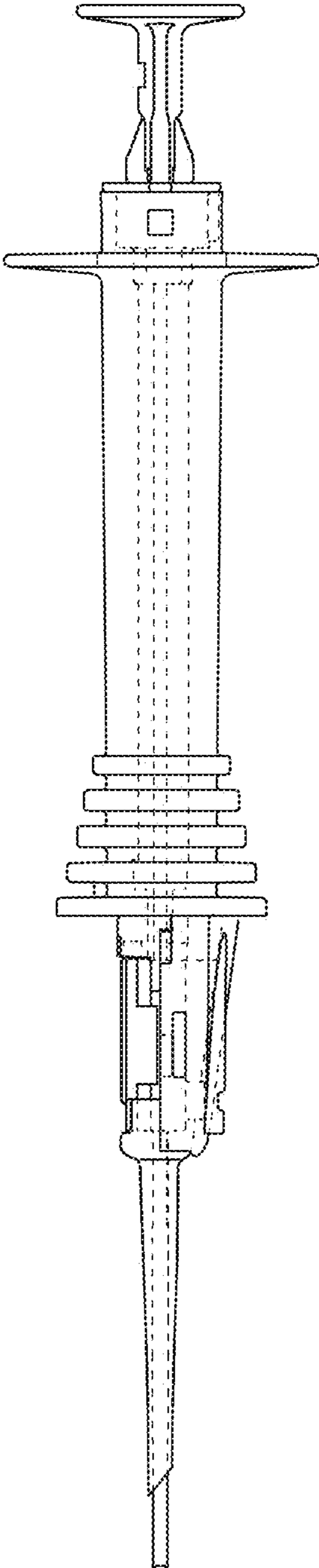


FIG. 2

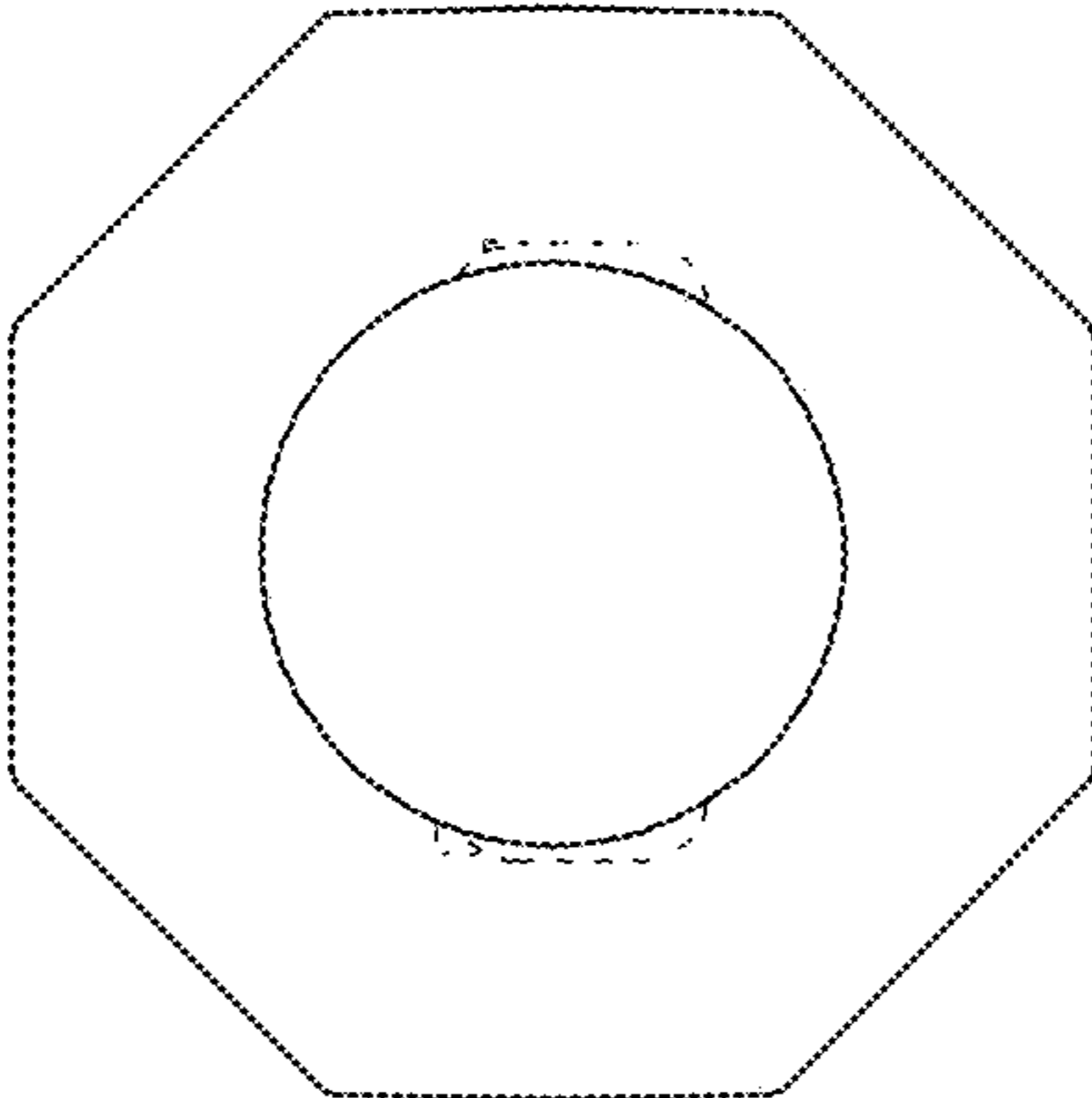


FIG. 3

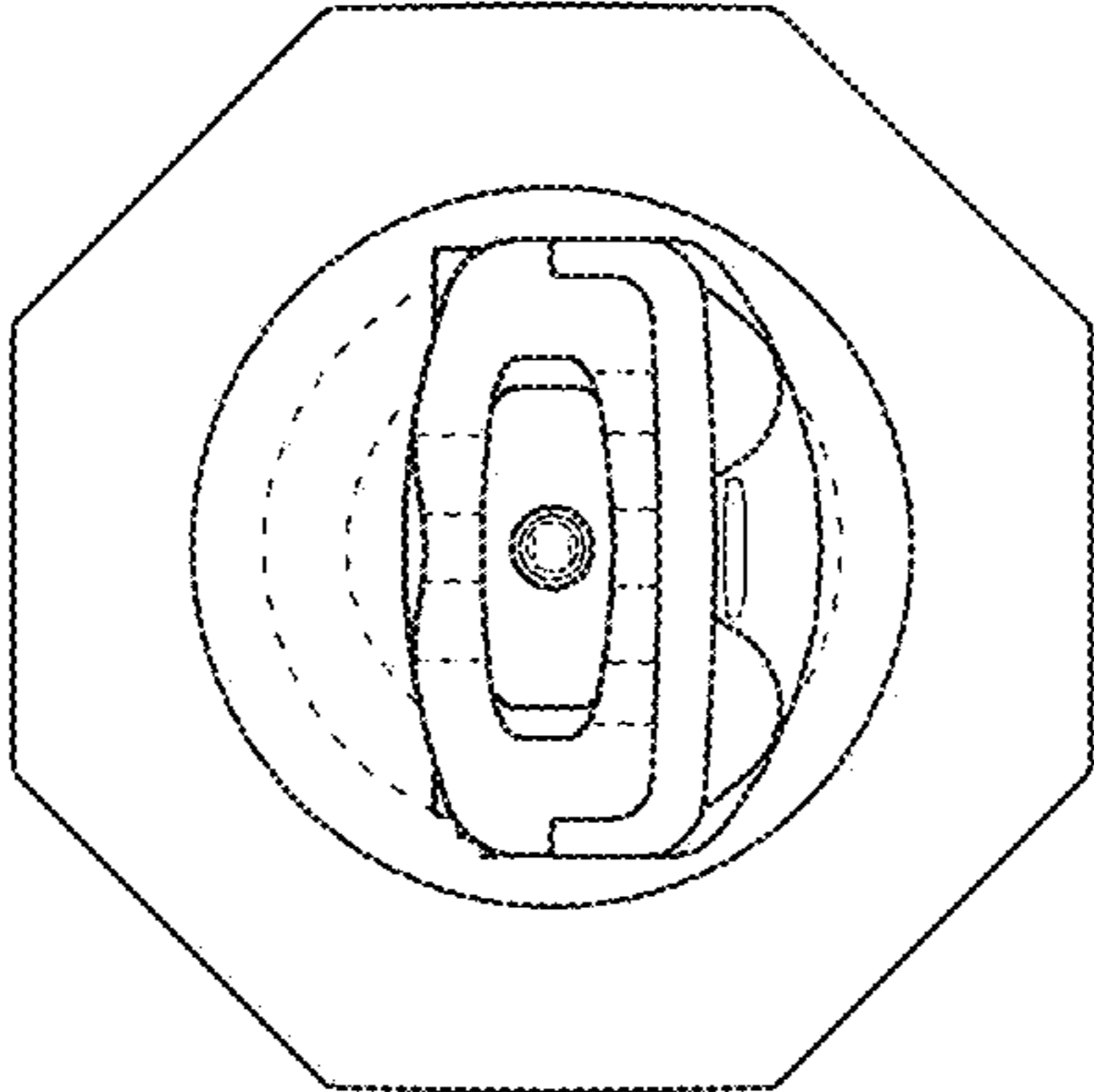


FIG. 4

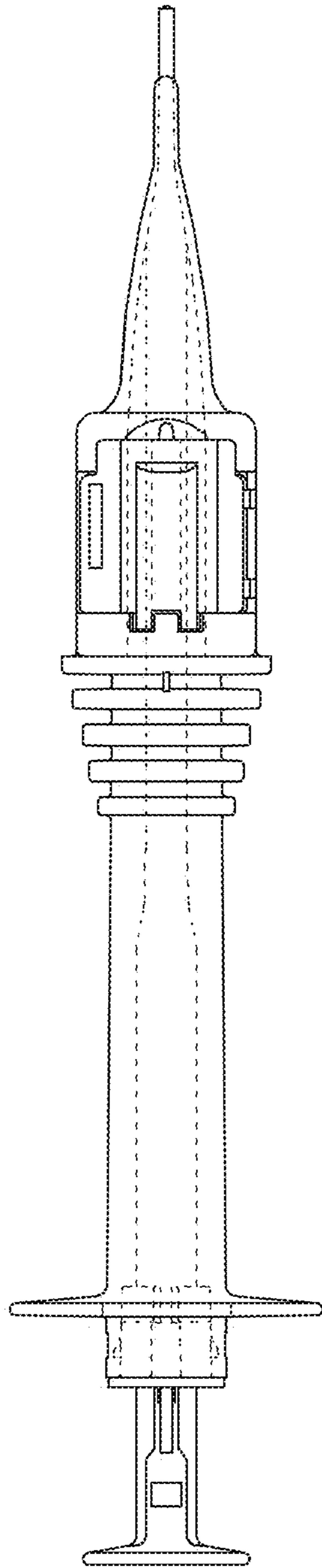


FIG. 5

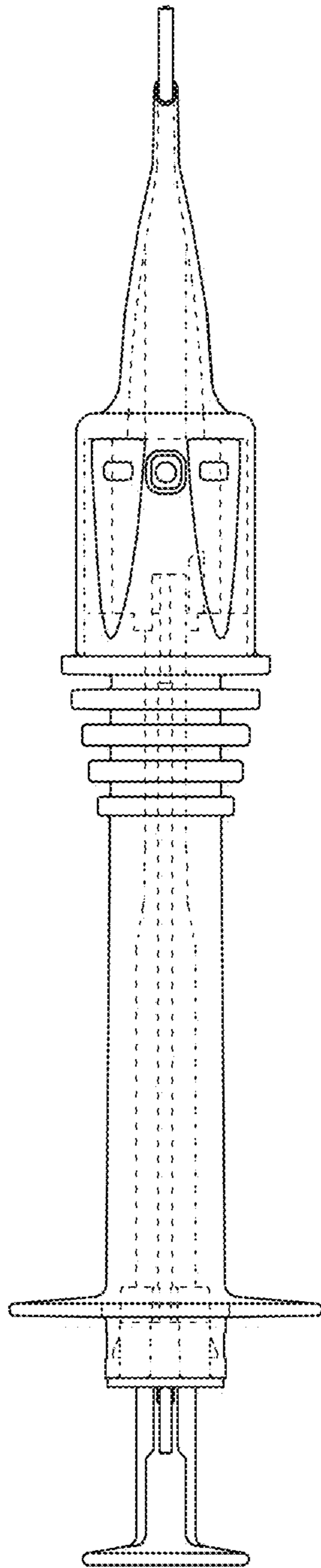


FIG. 6



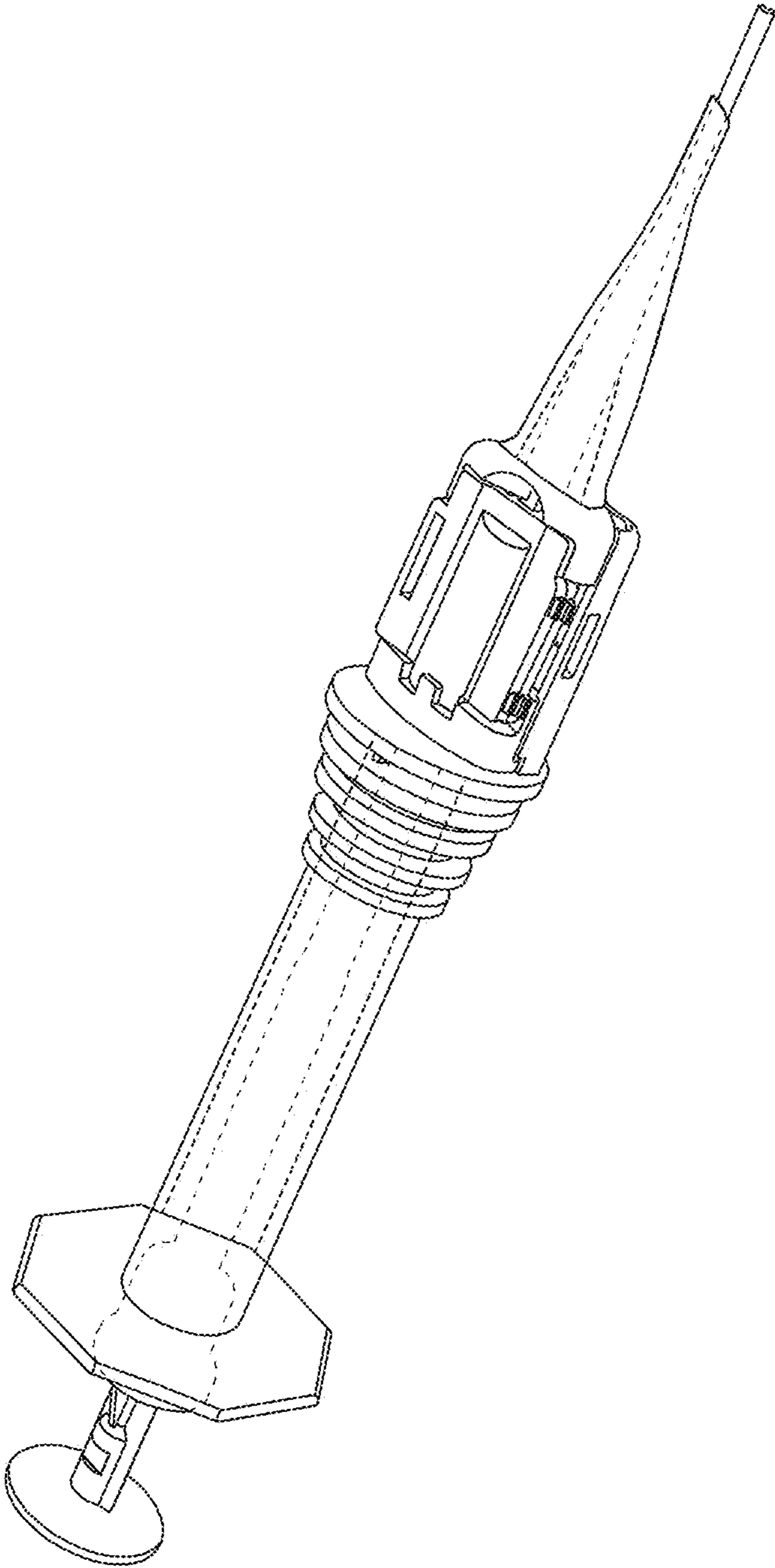


FIG. 7

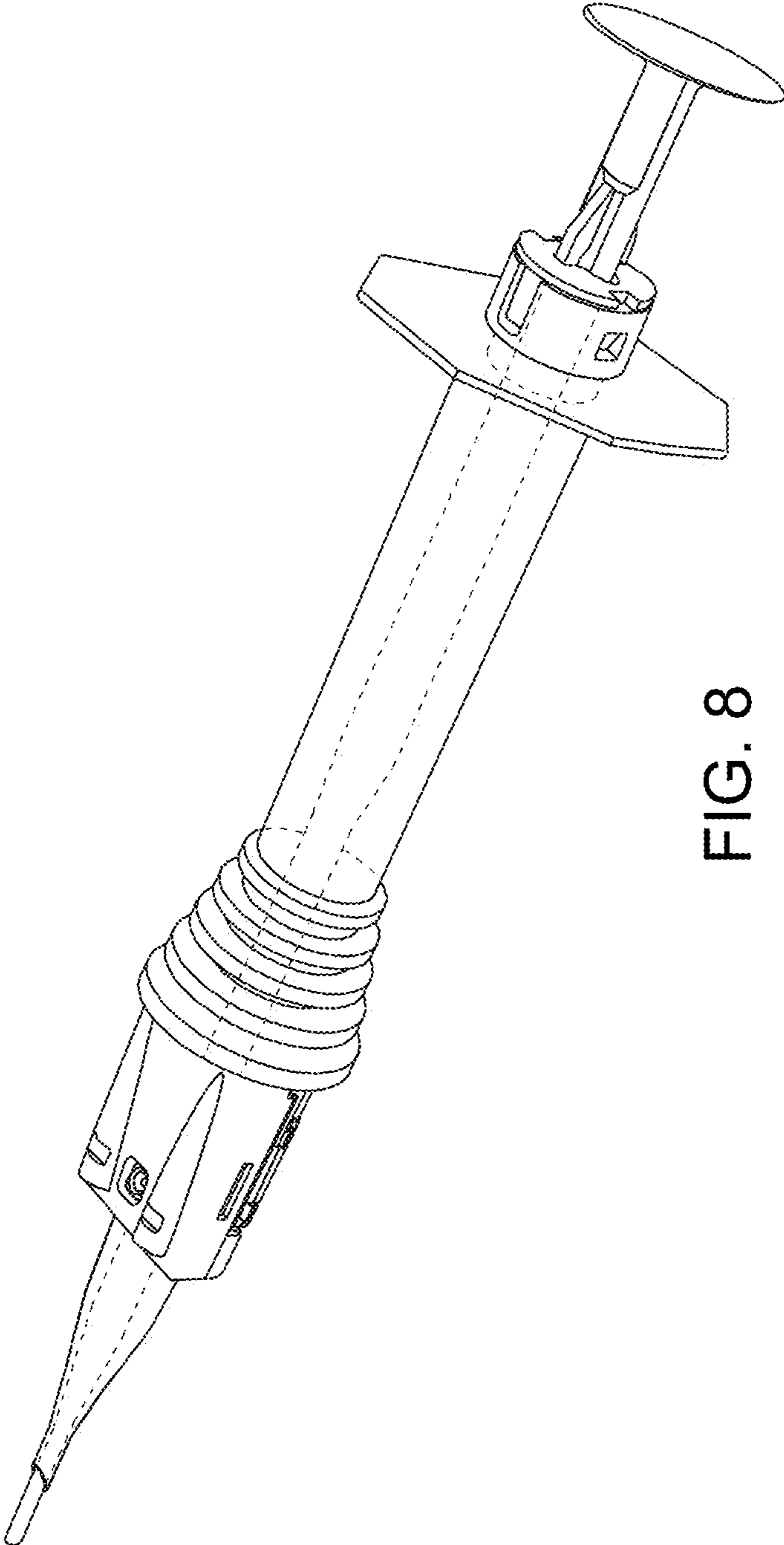


FIG. 8

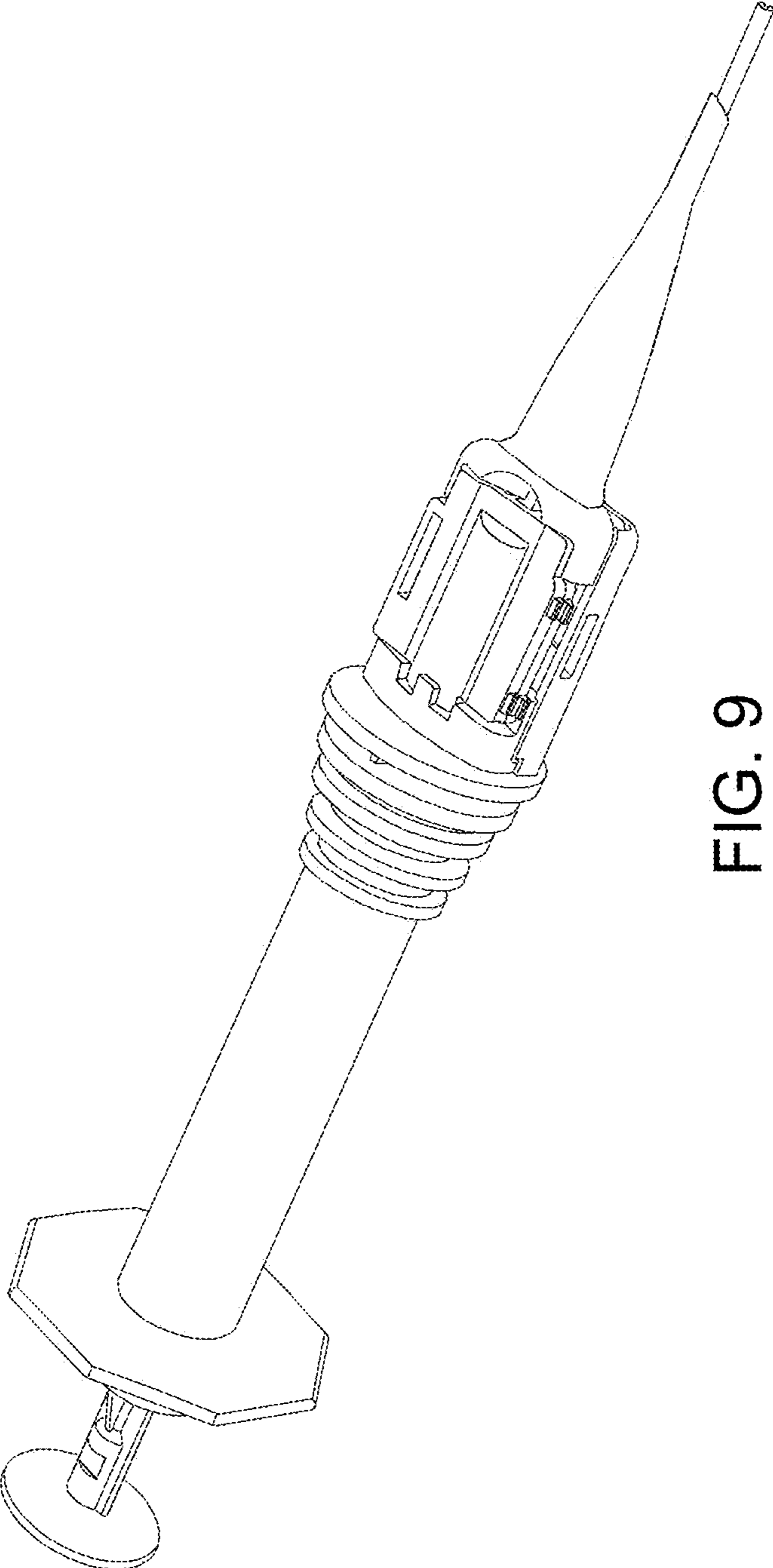


FIG. 9

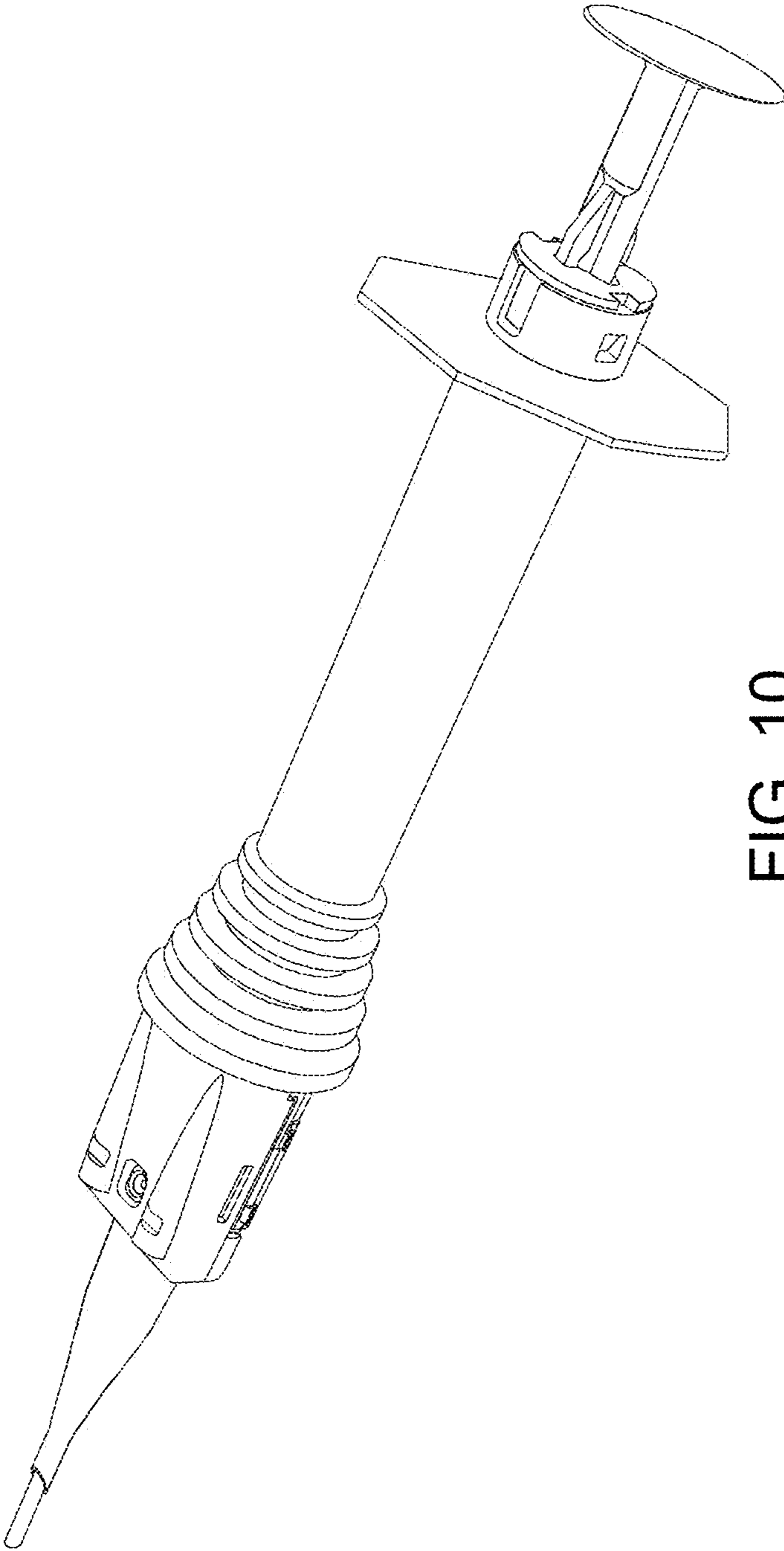


FIG. 10

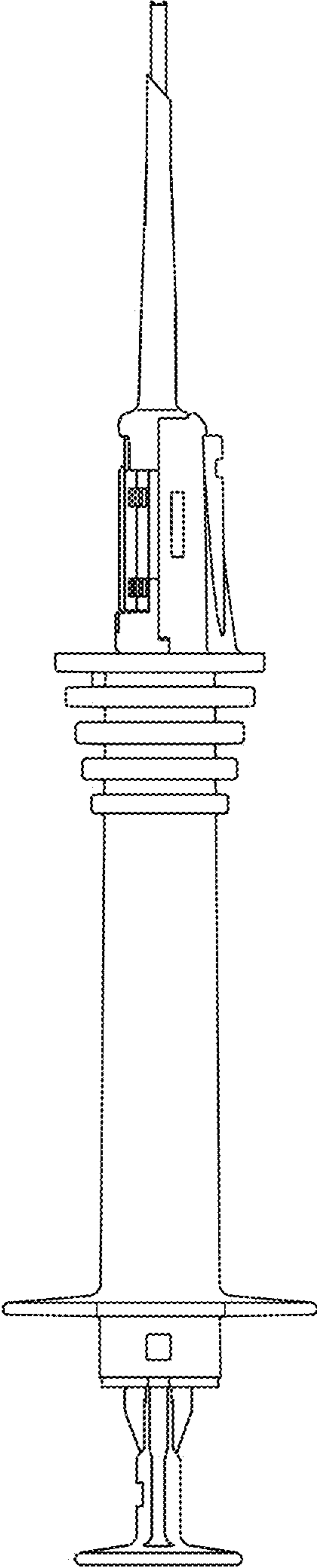


FIG. 11

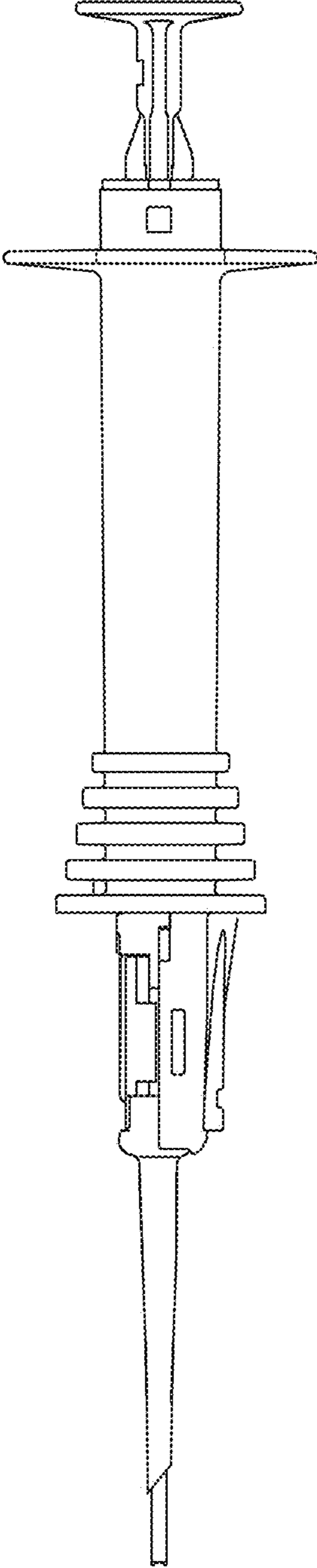


FIG. 12

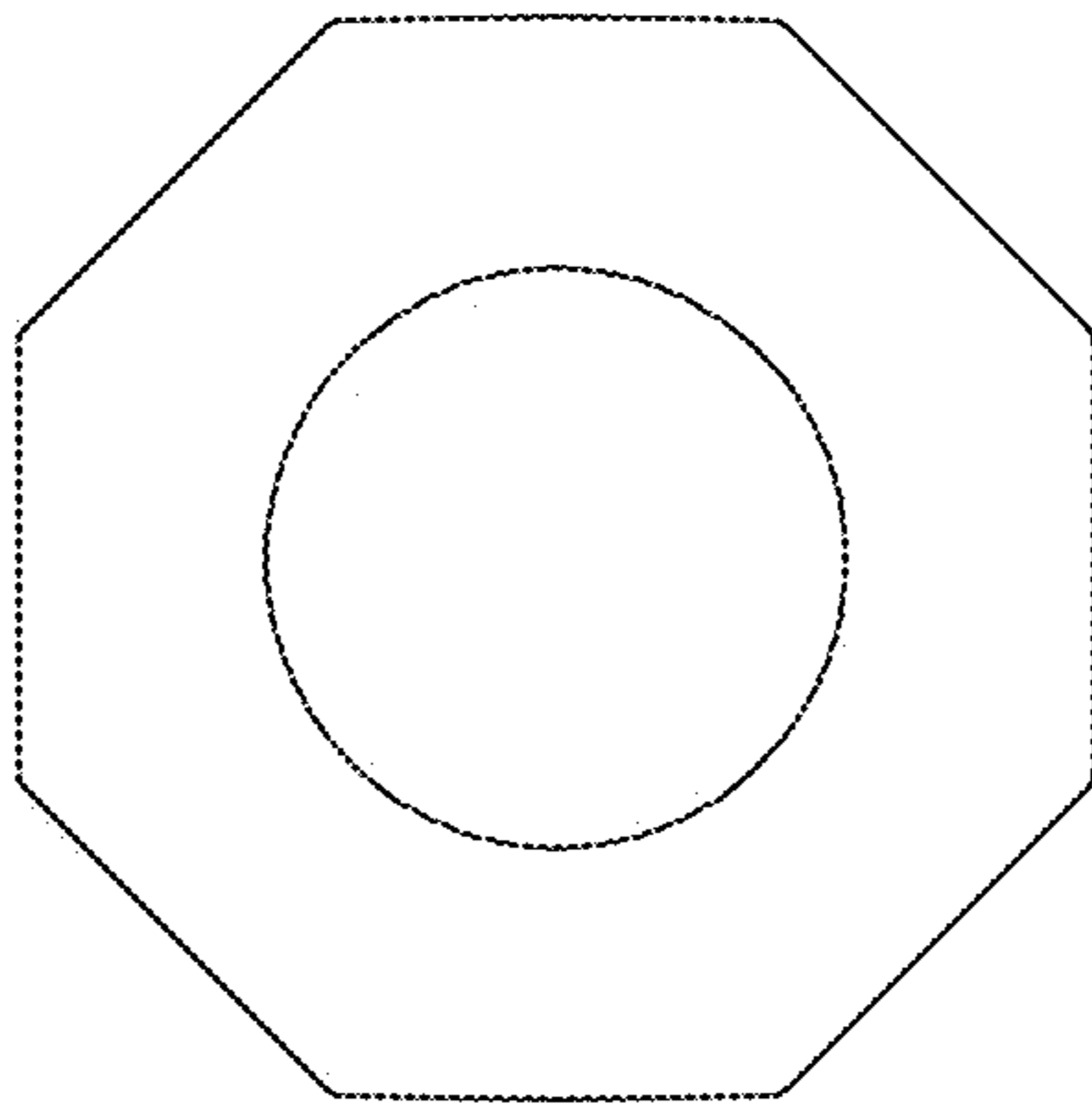


FIG. 13

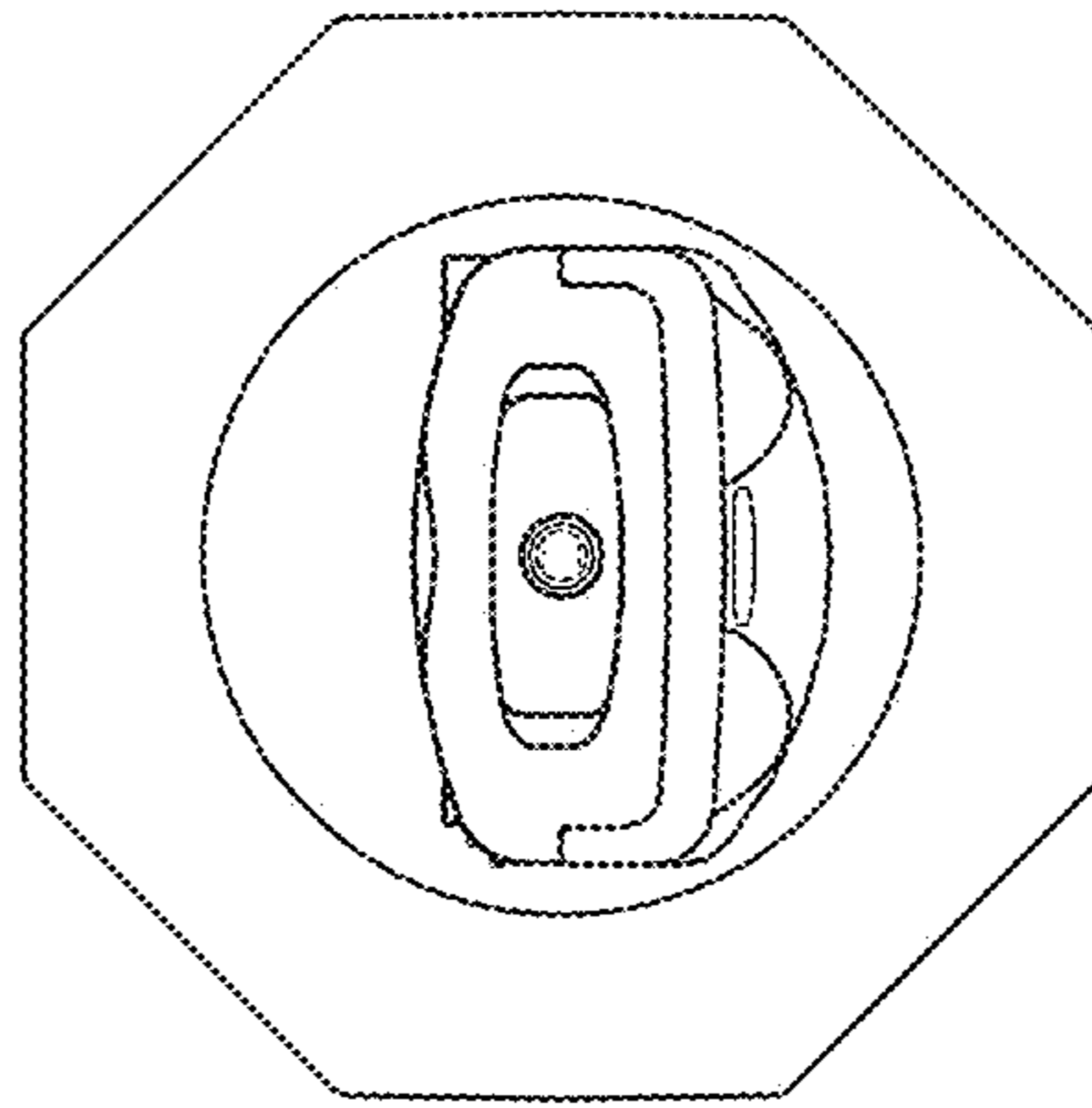


FIG. 14



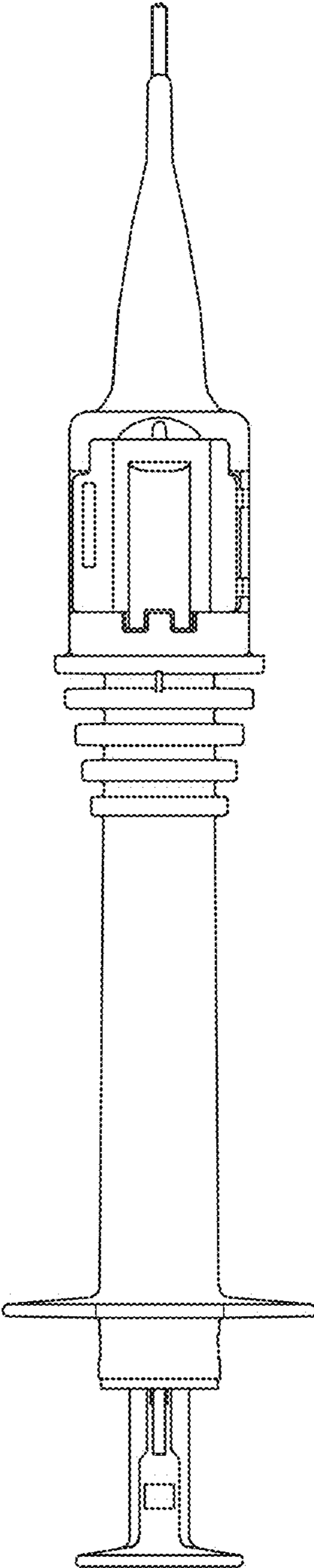


FIG. 15

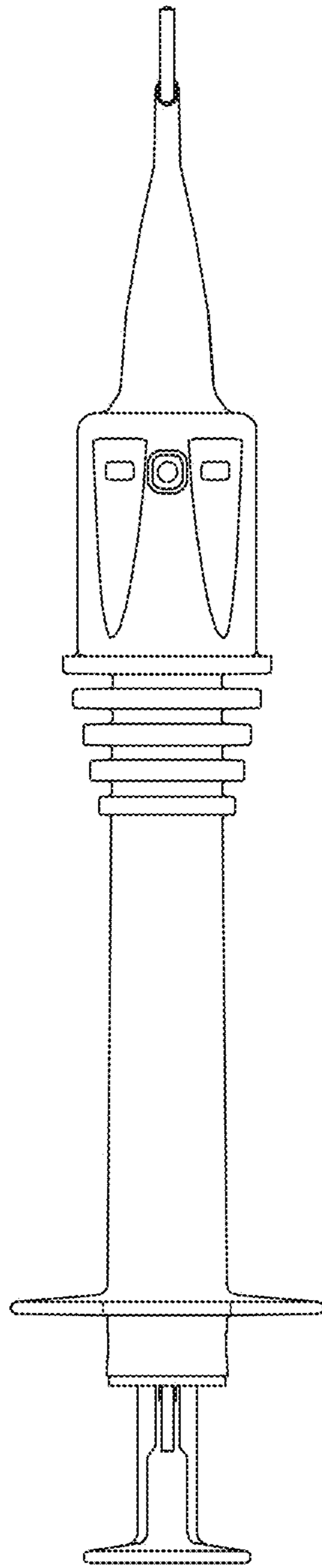


FIG. 16