



US00D754330S

(12) **United States Design Patent**
Kim et al.

(10) **Patent No.:** **US D754,330 S**
(45) **Date of Patent:** **** Apr. 19, 2016**

(54) **HANDLE FOR A WATER FLOSSER**

FOREIGN PATENT DOCUMENTS

(71) Applicant: **WATER PIK, INC.**, Fort Collins, CO
(US)

CA 851479 9/1970
DE 1466963 5/1969

(Continued)

(72) Inventors: **Hyunchul Kim**, Chicago, IL (US);
Taiwon Choi, Glenview, IL (US)

OTHER PUBLICATIONS

(73) Assignee: **WATER PIK, INC.**, Fort Collins, CO
(US)

The Right Tool, Electron Fusion Devices, Inc., 2 pages, at least as early as Feb. 1991.

(Continued)

(**) Term: **14 Years**

(21) Appl. No.: **29/508,631**

Primary Examiner — Ian Simmons
Assistant Examiner — Richelle G Shelton

(22) Filed: **Nov. 7, 2014**

(74) *Attorney, Agent, or Firm* — Dorsey & Whitney LLP

Related U.S. Application Data

(63) Continuation of application No. 29/448,929, filed on Mar. 14, 2013, now Pat. No. Des. 717,427.

(51) **LOC (10) Cl.** **24-02**

(52) **U.S. Cl.**
USPC **D24/111**

(58) **Field of Classification Search**
USPC D24/108, 111–113, 133, 152, 176;
D4/101, 104; D8/107
CPC A61C 17/0202; A61C 17/225
See application file for complete search history.

(56) **References Cited**

U.S. PATENT DOCUMENTS

555,588 A	3/1896	Spencer
1,278,225 A	9/1918	Schamberg
1,464,419 A	8/1923	Gill
1,498,267 A	6/1924	Hachman
1,650,686 A	11/1927	Binks
1,669,889 A	5/1928	Andrews et al.
1,681,320 A	8/1928	Bergl et al.
1,933,454 A	10/1933	Sidney
2,107,686 A	2/1938	Bramsen et al.
2,669,233 A	2/1954	Friend

(Continued)

(57) **CLAIM**

We claim the ornamental design for a handle for a water flosser, substantially as shown and described.

DESCRIPTION

FIG. 1 is a front, left isometric view of a handle for a water flosser.

FIG. 2 is a front elevation view of the handle for a water flosser of FIG. 1.

FIG. 3 is a rear elevation view of the handle for a water flosser of FIG. 1.

FIG. 4 is a left side elevation view of the handle for a water flosser of FIG. 1.

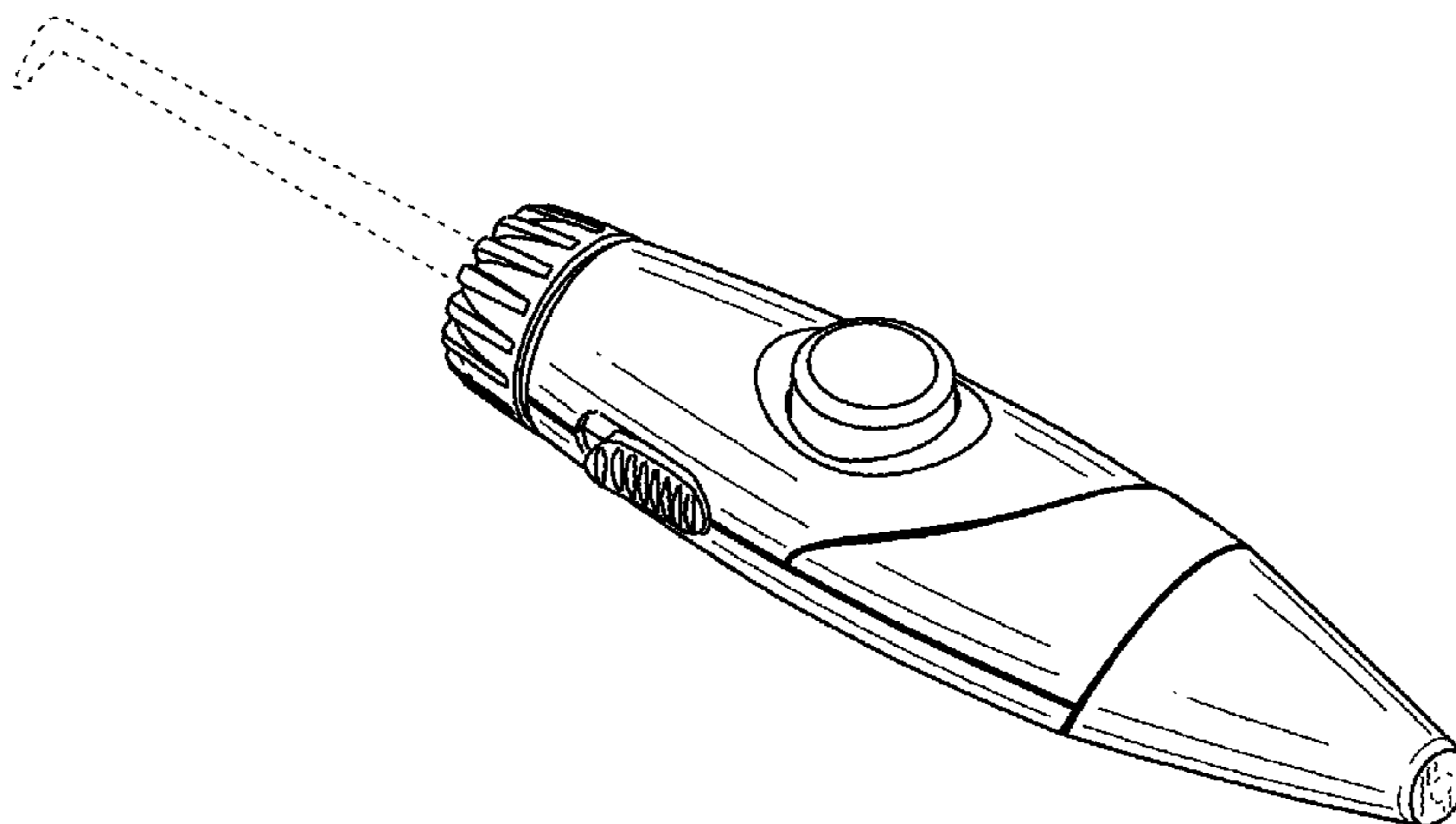
FIG. 5 is a right side elevation view of the handle for a water flosser of FIG. 1.

FIG. 6 is a top plan view of the handle for a water flosser of FIG. 1; and,

FIG. 7 is a bottom plan view of the handle for a water flosser of FIG. 1.

The broken lines, which define the bounds of the claimed design, form no part of the claimed design.

1 Claim, 4 Drawing Sheets



(56)

References Cited

U.S. PATENT DOCUMENTS

2,783,919 A	3/1957	Ansell	4,122,845 A	10/1978	Stouffer et al.
2,794,437 A	6/1957	Tash	4,135,501 A	1/1979	Leunissan
2,870,932 A	1/1959	Davis	4,141,352 A	2/1979	Ebner et al.
2,984,452 A	5/1961	Hooper	4,144,646 A	3/1979	Takemoto et al.
3,089,490 A	5/1963	Goldberg	4,149,315 A	4/1979	Page, Jr. et al.
3,096,913 A	7/1963	Jousson	4,154,375 A	5/1979	Bippus
3,144,867 A	8/1964	Trupp et al.	4,160,383 A	7/1979	Rauschenberger
3,209,956 A	10/1965	McKenzie	4,182,038 A	1/1980	Fleer
3,216,619 A	11/1965	Richards et al.	4,201,200 A	5/1980	Hubner
3,225,759 A	12/1965	Drapen et al.	4,215,476 A	8/1980	Armstrong
3,227,158 A	1/1966	Mattingly	4,219,618 A	8/1980	Leonard
3,266,623 A	8/1966	Poferl	4,227,878 A	10/1980	Lohn
3,297,558 A	1/1967	Hillquist	4,229,634 A	10/1980	Hickman et al.
D208,778 S	10/1967	Koch	4,236,889 A	12/1980	Wright
D209,204 S	11/1967	St. Clair et al.	4,248,589 A	2/1981	Lewis
D209,395 S	11/1967	Gilbert	4,249,899 A	2/1981	Davis
3,370,214 A	2/1968	Aymar	4,257,458 A	3/1981	Kondo et al.
3,391,696 A	7/1968	Woodward	4,262,799 A	4/1981	Perrett
3,400,999 A	9/1968	Goldstein	4,266,934 A	5/1981	Pernot
3,418,552 A	12/1968	Holmes	4,276,023 A	6/1981	Phillips et al.
3,420,228 A	1/1969	Kalbfeld	4,276,880 A	7/1981	Malmin
3,425,410 A	2/1969	Cammack	4,302,186 A	11/1981	Cammack et al.
3,453,969 A	7/1969	Mattingly	4,303,064 A	12/1981	Buffa
3,465,751 A	9/1969	Powers	4,303,070 A	12/1981	Ichikawa et al.
3,467,083 A	9/1969	Mattingly	4,315,741 A	2/1982	Reichl
3,487,828 A	1/1970	Troy	4,319,568 A	3/1982	Tregoning
3,489,268 A	1/1970	Meierhoefer	4,331,422 A	5/1982	Heyman
3,496,933 A	2/1970	Lloyd	4,337,040 A	6/1982	Cammack et al.
3,499,440 A	3/1970	Gibbs	4,340,365 A	7/1982	Pisanu
3,500,824 A	3/1970	Gilbert	4,340,368 A	7/1982	Lococo
3,501,203 A	3/1970	Falk	D266,117 S	9/1982	Oberheim
3,502,072 A	3/1970	Stillman	4,353,694 A	10/1982	Pelerin
3,517,669 A	6/1970	Buono et al.	4,363,626 A	12/1982	Schmidt et al.
D218,270 S	8/1970	Soper	4,365,376 A	12/1982	Oda et al.
3,522,801 A	8/1970	Robinson	4,370,131 A	1/1983	Banko
3,532,221 A	10/1970	Kaluhiokalani et al.	4,374,354 A	2/1983	Petrovic et al.
3,536,065 A	10/1970	Moret	4,382,167 A	5/1983	Maruyama et al.
3,537,444 A	11/1970	Garn	4,382,786 A	5/1983	Lohn
3,538,950 A	11/1970	Porteners	D270,000 S	8/1983	Ketler
3,547,110 A	12/1970	Balamuth	4,412,823 A	11/1983	Sakai et al.
3,561,433 A	2/1971	Kovach	4,442,830 A	4/1984	Markau
3,572,375 A	3/1971	Rosenberg	4,442,831 A	4/1984	Trenary
3,578,884 A	5/1971	Jacobson	4,452,238 A	6/1984	Kerr
3,583,609 A	6/1971	Oppenheimer	4,454,866 A	6/1984	Fayen
3,590,813 A	7/1971	Roszyk	4,512,769 A	4/1985	Kozam et al.
3,608,548 A	9/1971	Lewis	4,517,962 A	5/1985	Heckele
3,636,947 A	1/1972	Balamuth	4,531,912 A	7/1985	Schuss et al.
3,651,576 A	3/1972	Massa	4,531,913 A	7/1985	Taguchi
3,669,101 A	6/1972	Kleiner	4,534,340 A	8/1985	Kerr et al.
3,703,170 A	11/1972	Ryckman, Jr.	4,552,130 A	11/1985	Kinoshita
3,747,595 A	7/1973	Grossan	4,561,214 A	12/1985	Inoue
3,768,472 A	10/1973	Hodosh et al.	D283,374 S	4/1986	Cheuk-Yiu
3,783,364 A	1/1974	Gallanis et al.	4,585,415 A	4/1986	Hommann
3,809,977 A	5/1974	Balamuth et al.	4,591,777 A	5/1986	McCarty et al.
3,811,432 A	5/1974	Moret	4,592,728 A	6/1986	Davis
3,820,532 A	6/1974	Eberhardt et al.	4,602,906 A	7/1986	Grunenfelder
3,827,147 A	8/1974	Condon	4,607,627 A	8/1986	Leber et al.
3,840,795 A	10/1974	Roszyk et al.	4,613,074 A	9/1986	Schulze
3,847,145 A	11/1974	Grossan	4,619,612 A	10/1986	Weber et al.
3,854,209 A	12/1974	Franklin et al.	4,629,425 A	12/1986	Detsch
3,874,506 A	4/1975	Hill et al.	4,636,198 A	1/1987	Stade
3,912,125 A	10/1975	Acklin	4,642,037 A	2/1987	Fritchman
3,943,628 A	3/1976	Kronman et al.	4,644,937 A	2/1987	Hommann
3,973,558 A	8/1976	Stouffer et al.	4,645,488 A	2/1987	Matukas
4,001,526 A	1/1977	Olson	4,647,831 A	3/1987	O'Malley et al.
4,004,302 A	1/1977	Hori	4,648,838 A	3/1987	Schlachter
4,007,739 A	2/1977	Bron et al.	4,650,475 A	3/1987	Smith et al.
4,052,002 A	10/1977	Stouffer et al.	4,655,198 A	4/1987	Hommann
D246,667 S	12/1977	Mackay et al.	4,669,453 A	6/1987	Atkinson et al.
4,060,870 A	12/1977	Cannarella	4,672,953 A	6/1987	DiVito
4,075,761 A	2/1978	Behne et al.	4,673,396 A	6/1987	Urbaniak
4,078,558 A	3/1978	Woog et al.	D291,354 S	8/1987	Camens
4,108,167 A	8/1978	Hickman et al.	4,716,352 A	12/1987	Hurn et al.
4,108,178 A	8/1978	Betush	4,749,340 A	6/1988	Ikeda et al.
4,109,650 A	8/1978	Peclard	4,770,632 A	9/1988	Ryder et al.
			4,783,321 A	11/1988	Spence
			4,787,845 A	11/1988	Valentine
			4,787,847 A	11/1988	Martin et al.
			4,798,292 A	1/1989	Hauze

(56)

References Cited

U.S. PATENT DOCUMENTS

4,803,974 A	2/1989	Powell	5,218,956 A	6/1993	Handler et al.
4,804,364 A	2/1989	Dieras et al.	5,220,914 A	6/1993	Thompson
4,818,229 A	4/1989	Vasile	5,228,646 A	7/1993	Raines
4,820,152 A	4/1989	Warrin et al.	5,230,624 A	7/1993	Wolf et al.
4,821,923 A	4/1989	Skorka	5,232,687 A	8/1993	Geimer
4,824,368 A	4/1989	Hickman	5,235,968 A	8/1993	Woog
4,826,431 A	5/1989	Fujimura et al.	5,241,714 A	9/1993	Barry
4,832,683 A	5/1989	Idemoto et al.	5,246,367 A	9/1993	Ito et al.
4,854,869 A	8/1989	Lawhorn	5,252,064 A	10/1993	Baum et al.
4,861,340 A	8/1989	Smith et al.	D341,200 S *	11/1993	Yoshimoto D24/133
4,862,876 A	9/1989	Lih-Sheng	5,257,933 A	11/1993	Jousson
4,869,720 A	9/1989	Chernack	5,261,448 A	11/1993	Furuya et al.
4,880,382 A	11/1989	Moret et al.	D341,943 S	12/1993	Si-Hoe
4,886,452 A	12/1989	Lohn	5,267,586 A	12/1993	Jankavaara
4,900,252 A	2/1990	Liefke et al.	5,269,684 A	12/1993	Fischer
4,902,225 A	2/1990	Lohn	5,281,137 A	1/1994	Jousson
4,903,687 A	2/1990	Lih-Sheng	5,281,139 A	1/1994	Frank et al.
4,906,187 A	3/1990	Amadera	5,282,745 A	2/1994	Wiltrout et al.
4,907,744 A	3/1990	Jousson	5,286,192 A	2/1994	Dixon
4,925,450 A	5/1990	Imonti et al.	5,286,201 A	2/1994	Yu
4,928,675 A	5/1990	Thornton	5,297,962 A	3/1994	O'Connor et al.
4,930,660 A	6/1990	Porteous	D346,212 S	4/1994	Hosl
4,941,459 A	7/1990	Mathur	5,302,123 A	4/1994	Bechard
4,950,159 A	8/1990	Hansen	5,317,691 A	5/1994	Traeger
4,958,629 A	9/1990	Peace et al.	5,321,865 A	6/1994	Kaesar
4,958,751 A	9/1990	Curtis et al.	5,331,704 A	7/1994	Rosen et al.
4,959,199 A	9/1990	Brewer	5,344,317 A	9/1994	Pacher et al.
4,961,698 A	10/1990	Vlock	5,346,677 A	9/1994	Risk
4,966,551 A	10/1990	Betush	D351,892 S	10/1994	Wolf et al.
4,969,874 A	11/1990	Michel et al.	5,360,338 A	11/1994	Waggoner
4,973,247 A	11/1990	Varnes et al.	5,368,548 A	11/1994	Jousson
4,973,250 A	11/1990	Milman	5,370,534 A	12/1994	Wolf et al.
4,975,054 A	12/1990	Esrock	D354,168 S	1/1995	Hartwein
4,979,503 A	12/1990	Chernack	5,378,149 A	1/1995	Stropko
4,979,504 A	12/1990	Mills	5,380,201 A	1/1995	Kawata
4,989,590 A	2/1991	Baum et al.	D356,864 S	3/1995	Woog
4,998,880 A	3/1991	Nerli	5,399,089 A	3/1995	Eichman et al.
5,013,241 A	5/1991	Von Gutfeld et al.	D358,883 S	5/1995	Vos
5,014,884 A	5/1991	Wunsch	5,456,672 A	10/1995	Diederich et al.
5,019,054 A	5/1991	Clement et al.	5,465,445 A	11/1995	Yeh
5,027,798 A	7/1991	Primiano	5,467,495 A	11/1995	Boland et al.
5,029,576 A	7/1991	Evans, Sr.	5,468,148 A	11/1995	Ricks
5,033,617 A	7/1991	Hartwein et al.	5,470,305 A	11/1995	Arnett et al.
5,033,961 A	7/1991	Kankler et al.	5,474,450 A	12/1995	Chronister
D318,918 S	8/1991	Hartwein	5,474,451 A	12/1995	Dalrymple et al.
5,046,486 A	9/1991	Grulke et al.	5,476,379 A	12/1995	Disel
5,049,071 A	9/1991	Davis et al.	5,484,281 A	1/1996	Renow et al.
5,060,825 A	10/1991	Palmer et al.	5,487,877 A	1/1996	Choi
5,062,795 A	11/1991	Woog	5,490,779 A	2/1996	Malmin
5,064,168 A	11/1991	Raines et al.	5,505,916 A	4/1996	Berry, Jr.
D322,314 S *	12/1991	Ohbayashi D24/113	D369,656 S	5/1996	Vos
5,071,346 A	12/1991	Domaas	5,525,058 A	6/1996	Gallant et al.
5,082,115 A	1/1992	Hutcheson	5,526,841 A	6/1996	Detsch et al.
5,082,443 A	1/1992	Lohn	5,540,587 A	7/1996	Malmin
5,085,317 A	2/1992	Jensen et al.	5,547,374 A	8/1996	Coleman
5,086,756 A	2/1992	Powell	D373,631 S	9/1996	Maeda et al.
5,095,893 A	3/1992	Rawden, Jr.	5,554,025 A	9/1996	Kinsel
5,098,291 A	3/1992	Curtis et al.	5,556,001 A	9/1996	Weissman et al.
5,098,676 A	3/1992	Brooks, Jr.	5,564,629 A	10/1996	Weissman et al.
5,117,871 A	6/1992	Gardner et al.	D377,091 S	12/1996	Scott, Sr.
5,125,835 A	6/1992	Young	5,616,028 A	4/1997	Hafele et al.
5,127,831 A	7/1992	Bab	5,634,791 A	6/1997	Matsuura et al.
5,142,723 A	9/1992	Lustig et al.	5,636,987 A	6/1997	Serfaty
5,150,841 A	9/1992	Silvenis et al.	5,640,735 A	6/1997	Manning
5,172,810 A	12/1992	Brewer	5,653,591 A	8/1997	Loge
5,173,273 A	12/1992	Brewer	5,659,995 A	8/1997	Hoffman
5,183,035 A	2/1993	Weir	5,667,483 A	9/1997	Santos
5,197,458 A	3/1993	Ito et al.	D386,576 S	11/1997	Wang et al.
5,197,460 A	3/1993	Ito et al.	5,683,192 A	11/1997	Kilfoil
5,199,871 A	4/1993	Young	5,685,829 A	11/1997	Allen
5,203,697 A	4/1993	Malmin	5,685,851 A	11/1997	Murphy et al.
5,203,769 A	4/1993	Clement et al.	5,697,784 A	12/1997	Hafele et al.
5,204,004 A	4/1993	Johnston et al.	5,709,545 A	1/1998	Johnston et al.
5,208,933 A	5/1993	Lustig et al.	5,716,007 A	2/1998	Nottingham et al.
5,215,193 A	6/1993	Dennis	5,718,668 A	2/1998	Arnett et al.
			5,746,595 A	5/1998	Ford
			5,749,726 A	5/1998	Kinsel
			5,759,502 A	6/1998	Spencer et al.
			5,779,654 A	7/1998	Foley et al.

(56)

References Cited

U.S. PATENT DOCUMENTS

5,795,153 A	8/1998	Rechmann	6,766,549 B2	7/2004	Klupt
5,796,325 A	8/1998	Lundell et al.	D495,142 S	8/2004	Berde
5,833,065 A	11/1998	Burgess	D495,143 S	8/2004	Berde
5,836,030 A	11/1998	Hazeu et al.	6,779,216 B2	8/2004	Davies et al.
D402,744 S	12/1998	Zuege	6,783,004 B1	8/2004	Rinner
5,851,079 A	12/1998	Horstman et al.	6,783,505 B1	8/2004	Lai
D403,511 S	1/1999	Serbinski	6,796,796 B2	9/2004	Segal
D406,334 S	3/1999	Rosenthal et al.	D498,643 S	11/2004	Pryor
5,876,201 A	3/1999	Wilson et al.	6,814,259 B1	11/2004	Foster et al.
D408,511 S	4/1999	Allen et al.	D499,885 S	12/2004	Xi
5,901,397 A	5/1999	Häfele et al.	6,835,181 B2	12/2004	Hippensteel
5,934,902 A	8/1999	Abahusayn	D500,599 S *	1/2005	Callaghan D4/101
D413,975 S	9/1999	Maeda	6,837,708 B2	1/2005	Chen et al.
D417,082 S	11/1999	Classen et al.	6,884,069 B2	4/2005	Goldman
5,993,402 A	11/1999	Sauer et al.	6,902,337 B1	6/2005	Kuo
6,030,215 A	2/2000	Ellion et al.	6,907,879 B2	6/2005	Drinan et al.
6,038,960 A	3/2000	Fukushima et al.	D509,585 S	9/2005	Kling et al.
6,039,180 A	3/2000	Grant	D513,638 S	1/2006	Pan
D425,615 S	5/2000	Bachman et al.	D522,652 S	6/2006	Massey
D425,981 S	5/2000	Bachman et al.	7,080,980 B2	7/2006	Klupt
6,056,710 A	5/2000	Bachman et al.	D529,661 S	10/2006	Schmidt
D426,633 S	6/2000	Bachman et al.	D530,010 S	10/2006	Luetngen et al.
6,089,865 A	7/2000	Edgar	7,117,555 B2	10/2006	Fattori et al.
6,116,866 A	9/2000	Tomita et al.	D533,720 S	12/2006	Vu
6,124,699 A	9/2000	Suzuki et al.	7,147,468 B2	12/2006	Snyder et al.
D434,500 S	11/2000	Pollock et al.	D538,474 S	3/2007	Sheppard et al.
6,159,006 A	12/2000	Cook et al.	D548,334 S	8/2007	Izumi
6,164,967 A	12/2000	Sale et al.	D550,097 S	9/2007	Lepoitevin
D435,905 S *	1/2001	Bachman et al. D24/111	7,276,035 B2	10/2007	Lu
6,193,512 B1	2/2001	Wallace	7,314,456 B2	1/2008	Shaw
6,193,932 B1	2/2001	Wu et al.	D565,175 S	3/2008	Boyd et al.
6,199,239 B1	3/2001	Dickerson	7,344,510 B1	3/2008	Yande
D439,781 S	4/2001	Spore	D565,713 S	4/2008	Gao
6,217,835 B1	4/2001	Riley et al.	7,367,803 B2	5/2008	Egeresi
D441,861 S	5/2001	Haffliger	D574,952 S *	8/2008	Boyd et al. D24/111
6,233,773 B1	5/2001	Karge et al.	D577,198 S *	9/2008	Jimenez et al. D4/101
6,234,205 B1	5/2001	D'Amelio et al.	D577,814 S	9/2008	Seki et al.
6,237,178 B1	5/2001	Krammer et al.	D581,279 S	11/2008	Oates
6,247,929 B1	6/2001	Bachman et al.	7,455,521 B2	11/2008	Fishburne, Jr.
D448,236 S	9/2001	Murray	7,469,440 B2	12/2008	Boland et al.
6,293,792 B1	9/2001	Hanson	7,500,584 B2	3/2009	Schutz
D449,884 S	10/2001	Tobin et al.	D590,492 S *	4/2009	Powell D24/107
D453,453 S *	2/2002	Lun D8/36	D595,136 S	6/2009	Canamasas Puigbo
6,363,565 B1	4/2002	Paffrath	D601,697 S	10/2009	Sobeich et al.
D464,799 S	10/2002	Crossman et al.	D603,708 S	11/2009	Handy
6,468,482 B1	10/2002	Frieze et al.	7,670,141 B2	3/2010	Thomas et al.
6,475,173 B1	11/2002	Bachman et al.	7,677,888 B1	3/2010	Halm
6,485,451 B1	11/2002	Roberts et al.	D613,550 S	4/2010	Picozza et al.
6,497,375 B1	12/2002	Srinath et al.	D621,949 S	8/2010	Seki et al.
6,497,572 B2	12/2002	Hood et al.	7,814,585 B1	10/2010	Reich
6,502,584 B1	1/2003	Fordham	D629,884 S	12/2010	Stephens
D470,660 S	2/2003	Schaber	7,862,536 B2	1/2011	Chen et al.
D474,026 S *	5/2003	Wright D4/101	7,878,403 B2	2/2011	Hennick et al.
6,558,344 B2	5/2003	McKinnon et al.	7,959,597 B2	6/2011	Baker et al.
6,561,808 B2	5/2003	Neuberger et al.	D640,872 S *	7/2011	Nanda D4/104
D475,346 S	6/2003	McCurrach et al.	D648,539 S *	11/2011	Wai D4/101
6,589,477 B1	7/2003	Frieze et al.	8,113,832 B2	2/2012	Snyder et al.
6,602,071 B1	8/2003	Ellion et al.	8,220,726 B2	7/2012	Qiu et al.
6,632,091 B1	10/2003	Cise et al.	D666,912 S	9/2012	Kawai
D482,451 S	11/2003	Page et al.	8,256,979 B2	9/2012	Hilscher et al.
6,640,999 B2	11/2003	Peterson	D669,169 S	10/2012	Washington et al.
6,647,577 B2	11/2003	Tam	8,297,534 B2	10/2012	Li et al.
6,659,674 B2	12/2003	Carlucci et al.	D670,373 S	11/2012	Taylor et al.
6,669,059 B2	12/2003	Mehta	D670,958 S	11/2012	Picozza et al.
D486,573 S	2/2004	Callaghan et al.	D671,637 S *	11/2012	Gebski et al. D24/113
6,689,078 B1	2/2004	Rehkemper et al.	8,366,024 B2	2/2013	Leber et al.
6,699,208 B2	3/2004	Bachman et al.	8,403,577 B2	3/2013	Khoshnevis
6,719,561 B2	4/2004	Gugel et al.	8,403,665 B2	3/2013	Thomas et al.
D489,183 S	5/2004	Akahori et al.	8,408,483 B2	4/2013	Boyd et al.
6,739,782 B1	5/2004	Rehkemper et al.	D731,640 S	6/2015	Kim et al.
6,740,053 B2	5/2004	Kaplowitz	2002/0090252 A1	7/2002	Hall et al.
D490,899 S	6/2004	Gagnon	2002/0119415 A1	8/2002	Bailey
D491,728 S	6/2004	Jimenez	2003/0098249 A1	5/2003	Rollock
D492,996 S	7/2004	Rehkemper et al.	2003/0204155 A1	10/2003	Egeresi
6,761,324 B2	7/2004	Chang	2003/0213075 A1	11/2003	Hui et al.
			2004/0007244 A1 *	1/2004	Harms 132/322
			2004/0045107 A1	3/2004	Egeresi
			2004/0076921 A1	4/2004	Gofman et al.
			2004/0122377 A1	6/2004	Fischer et al.

(56)

References Cited

U.S. PATENT DOCUMENTS

2004/0134001 A1* 7/2004 Chan 15/22.1
 2005/0049620 A1 3/2005 Chang
 2005/0101894 A1 5/2005 Hippensteel
 2005/0177079 A1 8/2005 Pan
 2005/0271531 A1 12/2005 Brown et al.
 2006/0008373 A1 1/2006 Schutz
 2006/0021165 A1 2/2006 Boland et al.
 2006/0026784 A1 2/2006 Moskovich et al.
 2006/0030908 A1* 2/2006 Powell et al. 607/88
 2006/0057539 A1 3/2006 Sodo
 2006/0078844 A1 4/2006 Goldman et al.
 2006/0079818 A1 4/2006 Yande
 2007/0082316 A1 4/2007 Zhadanov et al.
 2007/0113360 A1 5/2007 Tsai
 2007/0202459 A1 8/2007 Boyd et al.
 2007/0203439 A1 8/2007 Boyd et al.
 2007/0254260 A1 11/2007 Alden
 2008/0008979 A1 1/2008 Thomas et al.
 2009/0070949 A1 3/2009 Sagel et al.
 2009/0082706 A1 3/2009 Shaw
 2009/0124945 A1 5/2009 Reich et al.
 2009/0163839 A1 6/2009 Alexander
 2009/0281454 A1 11/2009 Baker et al.
 2010/0015566 A1 1/2010 Shaw
 2010/0190132 A1 7/2010 Taylor et al.
 2010/0239998 A1 9/2010 Snyder et al.
 2010/0261134 A1 10/2010 Boyd et al.
 2010/0261137 A1 10/2010 Boyd et al.
 2010/0326536 A1 12/2010 Nan
 2010/0330527 A1 12/2010 Boyd et al.
 2011/0027749 A1 2/2011 Syed
 2011/0076090 A1 3/2011 Wu et al.
 2011/0097683 A1 4/2011 Boyd et al.
 2011/0139826 A1 6/2011 Hair et al.
 2011/0144588 A1 6/2011 Taylor et al.
 2011/0184341 A1 7/2011 Baker et al.
 2012/0021374 A1 1/2012 Cacka et al.
 2012/0045730 A1 2/2012 Snyder et al.
 2012/0064480 A1 3/2012 Hegemann
 2012/0077145 A1 3/2012 Tsurukawa
 2012/0141952 A1 6/2012 Snyder et al.
 2012/0266396 A1 10/2012 Leung
 2012/0277677 A1 11/2012 Taylor et al.
 2012/0277678 A1 11/2012 Taylor et al.
 2012/0295220 A1 11/2012 Thomas et al.
 2014/0193774 A1 7/2014 Snyder et al.
 2015/0147717 A1 5/2015 Taylor et al.

FOREIGN PATENT DOCUMENTS

DE 2409752 9/1975
 DE 2545936 4/1977
 DE 2910982 2/1980
 EP 0023672 7/1980

EP 0515983 2/1992
 FR 2556954 6/1985
 FR 2654627 5/1991
 GB 1182031 2/1970
 GB 2018605 10/1979
 JP 2009-39455 2/2009
 WO WO95/16404 6/1995
 WO WO01/10327 2/2001
 WO WO2004/021958 3/2004
 WO WO2004/039205 5/2004
 WO WO2004060259 A2 7/2004
 WO WO2008157585 A1 12/2008
 WO WO2013/124691 8/2013

OTHER PUBLICATIONS

Japanese Packaging, 2 pages, at least as early as Dec. 2002.
 Japanese Instruction Brochure, 20 pages, at least as early as Dec. 2002.
 Brochure: Woog International, "You have a 98% chance of getting gum disease. Unless you read this.", Lancaster, Pennsylvania, 5 pages, Feb. 1987.
 Brochure: Woog International, "We put the control of home dental care back into the hands of the professional", Lancaster, Pennsylvania, 2 pages, Feb. 1987.
 Brochure: WOOG International, "Products at a Glance: Home Dental Care System" WOOG ORAJET, 3 pages, at least as early as Dec. 18, 1998.
 Website: http://www.just4teeth.com/product/Panasonic/Panasonic_Portable_Irrigator.htm, 2 pages, at least as early as Jun. 20, 2003.
 Website: http://www.videodirectstore.com/store/merchant.mv?Screen=PROD&Product_Code=EW1, 2 pages, at least as early as Jun. 20, 2003.
 Website: <http://products.consumerguide.com/cp/family/review/index.cfm/id/18742>, 2 pages, at least as early as Jun. 20, 2003.
 Website: <http://www.racekarteng.com/images/walbroparts.gif> and <http://www.muller.net/mullermachine/docs/walbro1.html>, 4 pages, at least as early as Jun. 20, 2003.
 European Search Report, EPO Application No. 07250799.9, Jul. 5, 2007.
 European Search Report, EPO Application No. 07252693.2, 14 pages, Apr. 28, 2008.
 European Examination Report, EPO Application No. 07250799.9, Feb. 5, 2009.
 International Search Report, Application No. PCT/US2010/028180, 2 pages, May 18, 2010.
 International Search Report, PCT/US2010/060800, 2 pages, Feb. 11, 2011.
 International Search Report, PCT/US2011/052795, 10 pages, Jan. 17, 2012.
 Waterpik SinuSense Website: <http://www.insightsbyapril.com/2012/03/waterpik-natural-remedy-for-sinus.html>, 8 pages, retrieved on May 31, 2012.
 US RE27,274, 01/1972, Mattingly (withdrawn)

* cited by examiner

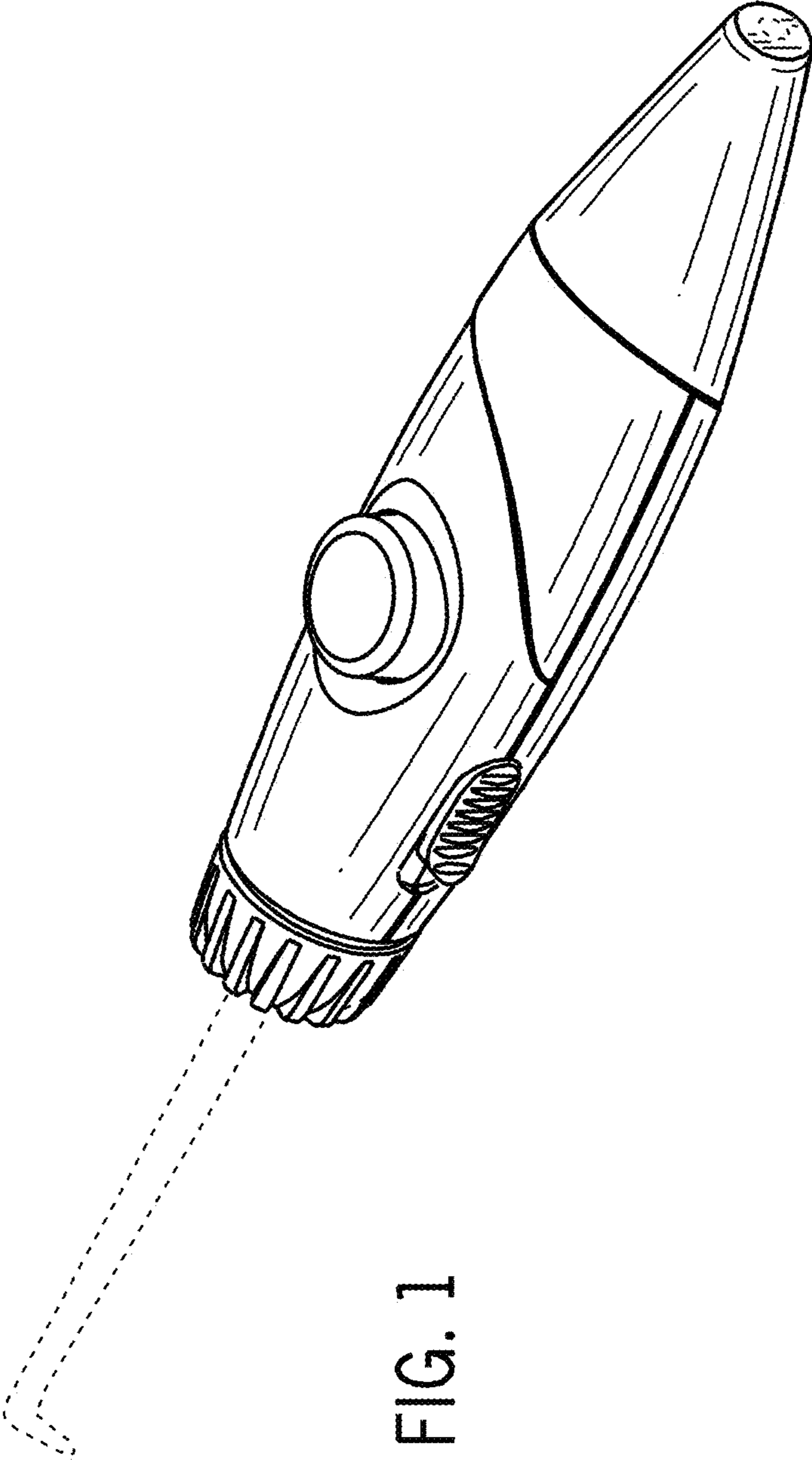


FIG. 1

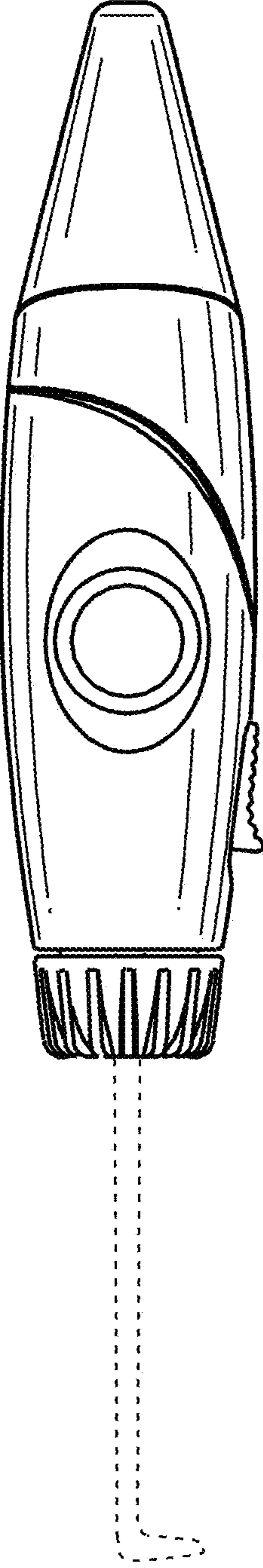


FIG. 2

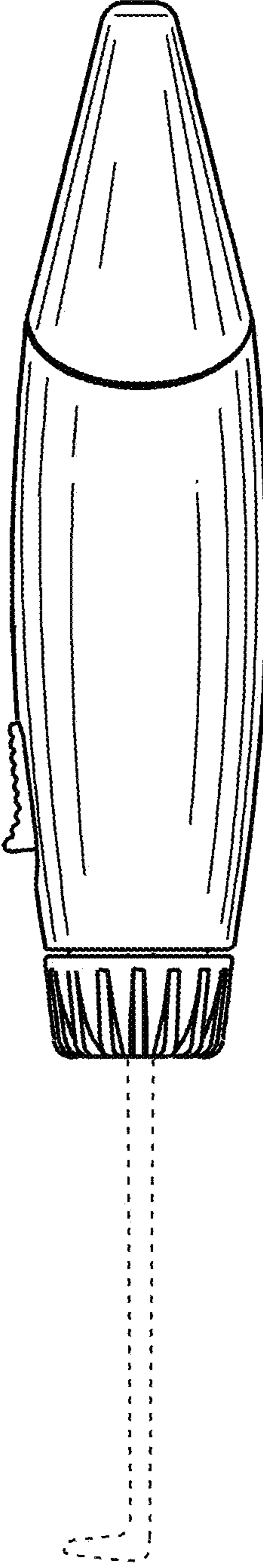


FIG. 3

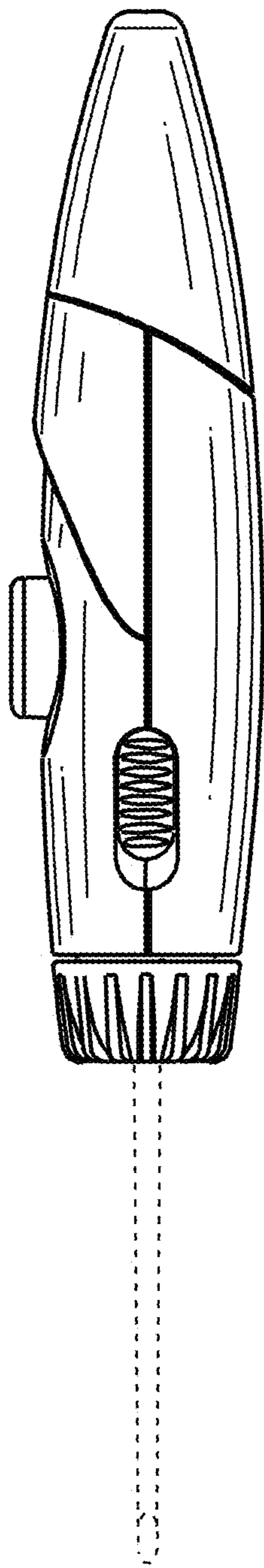


FIG. 4

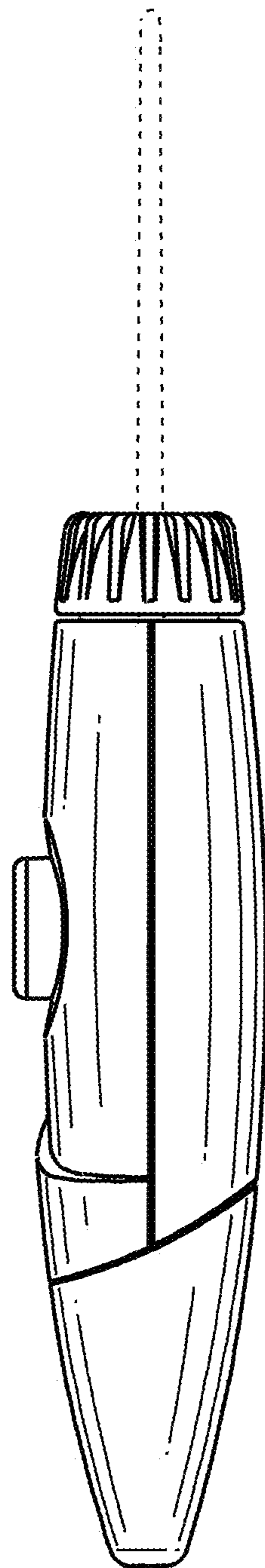


FIG. 5

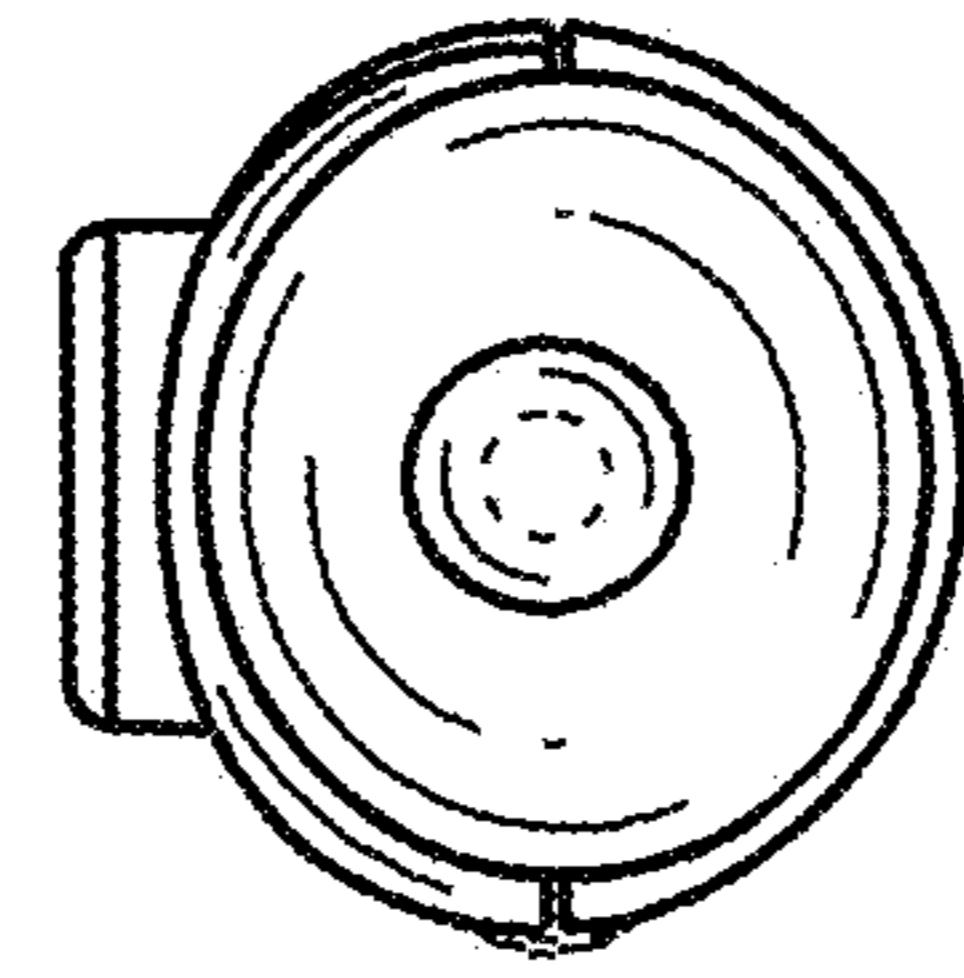


FIG. 7

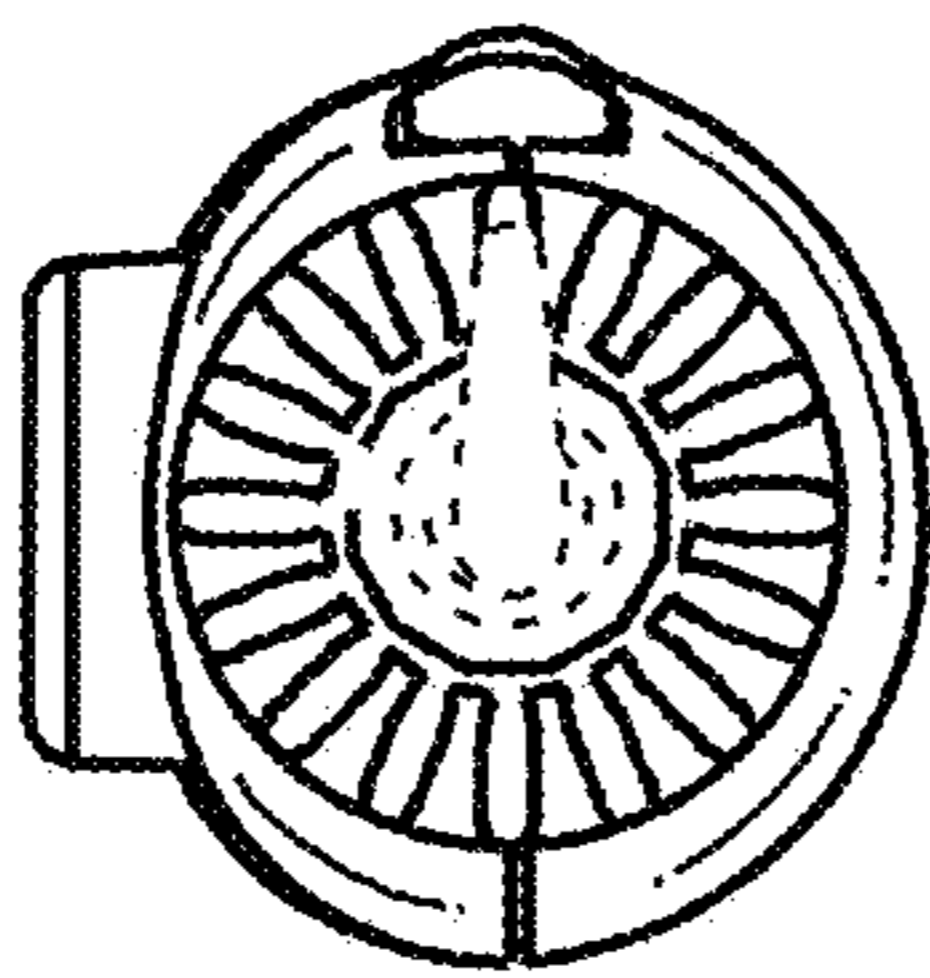


FIG. 6