



US00D754327S

(12) **United States Design Patent**  
**Row**

(10) **Patent No.:** **US D754,327 S**  
(45) **Date of Patent:** **\*\* Apr. 19, 2016**

(54) **CUFF FOR AIR DELIVERY CONDUIT**

(71) Applicant: **ResMed Limited**, Bella Vista, New South Wales (AU)

(72) Inventor: **Nathan John Row**, Sydney (AU)

(73) Assignee: **RESMED LIMITED**, Bella Vista (AU)

(\*\*) Term: **14 Years**

(21) Appl. No.: **29/506,929**

(22) Filed: **Oct. 22, 2014**

5,382,242 A	1/1995	Horton et al.
5,429,398 A	7/1995	Lupke
6,691,707 B1	2/2004	Gunaratnam et al.
6,892,729 B2	5/2005	Smith et al.
6,953,354 B2	10/2005	Edirisuriya
7,226,302 B2	6/2007	Walter et al.
D629,891 S *	12/2010	Virr ..... D24/129
D629,892 S *	12/2010	Hill ..... D24/129
7,874,292 B2	1/2011	Smith et al.

(Continued)

FOREIGN PATENT DOCUMENTS

GB	1030840	5/1966
WO	2006/019323	2/2006

(Continued)

**Related U.S. Application Data**

(63) Continuation of application No. 12/461,967, filed on Aug. 28, 2009.

(51) **LOC (10) Cl.** ..... **29-02**

(52) **U.S. Cl.**  
USPC ..... **D24/110**

(58) **Field of Classification Search**  
USPC ..... D24/110, 110.1–110.5, 127; D29/108  
CPC ..... A61M 16/0616; A61M 16/0633;  
A61M 16/06; A61M 16/0666; A61M 16/0683;  
A61M 16/0875; A61M 16/0816; F16L 11/15  
See application file for complete search history.

(56) **References Cited**

U.S. PATENT DOCUMENTS

2,073,335 A	3/1937	Connell
2,516,864 A	8/1950	Gilmore
3,388,705 A	6/1968	Grosshandler
4,188,081 A	2/1980	Holden et al.
4,437,691 A	3/1984	Laney
4,621,632 A	11/1986	Bartels et al.
4,714,279 A	12/1987	Custeau
5,054,156 A	10/1991	Watanabe et al.
5,309,902 A	5/1994	Kee et al.
5,336,192 A	8/1994	Palestrant

OTHER PUBLICATIONS

Examination Report issued in related NZ Appln. No. 597179 (Dec. 20, 2011).

(Continued)

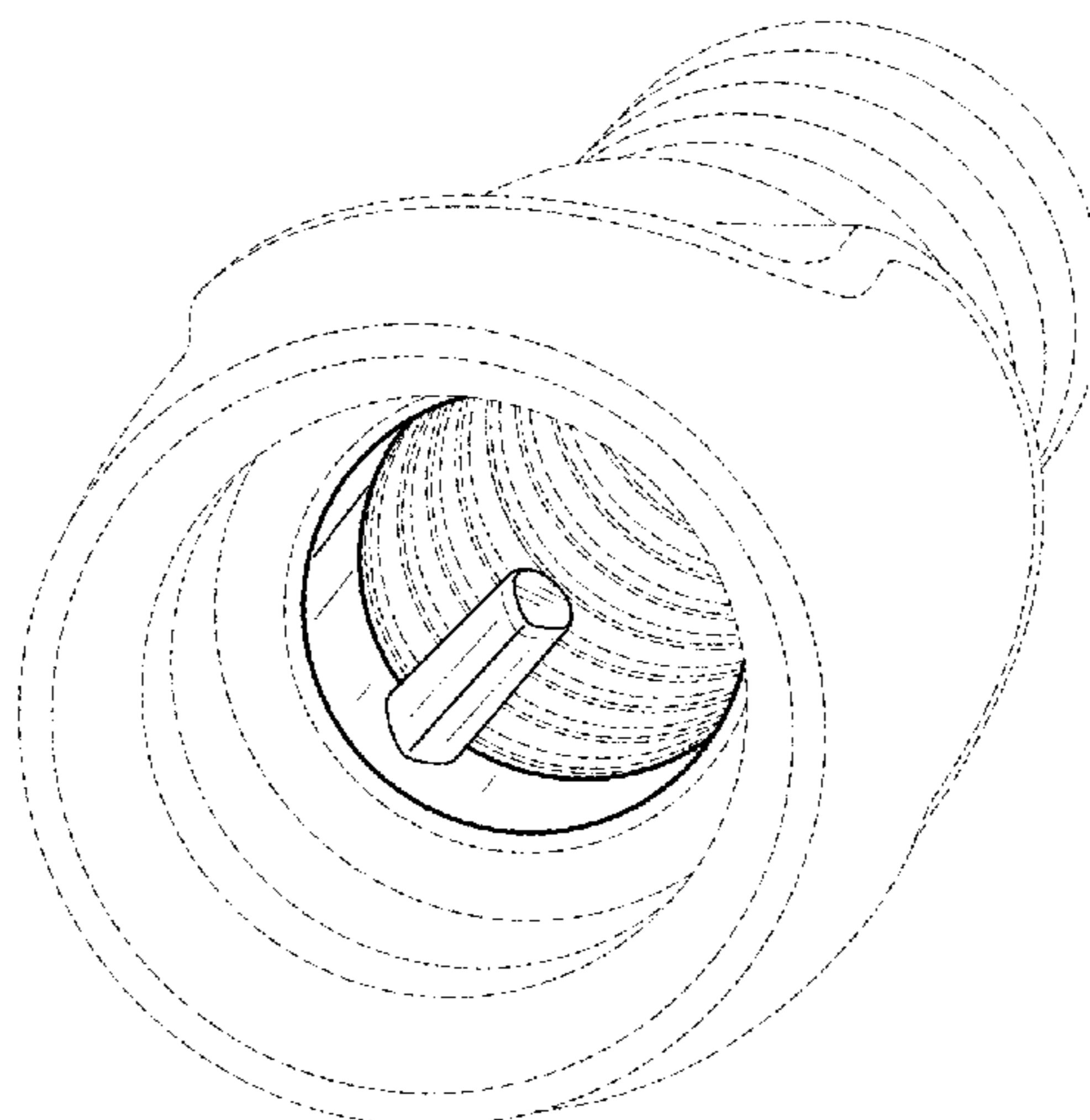
*Primary Examiner* — Deanna L Pratt  
*Assistant Examiner* — Lilyana Bekic  
(74) *Attorney, Agent, or Firm* — Nixon & Vanderhye, P.C.

(57) **CLAIM**  
The ornamental design for a cuff for air delivery conduit, as shown and described.

**DESCRIPTION**

FIG. 1 is a perspective view of a cuff for air delivery conduit; FIG. 2 is a front view thereof; and, FIG. 3 is a cross-sectional view thereof taken through the FIG. 3-FIG. 3 line of FIG. 2. The broken lines show environmental structure of the conduit and the cuff for air delivery conduit. The broken lines do not form a part of the claimed design.

**1 Claim, 2 Drawing Sheets**



(56)

References Cited

OTHER PUBLICATIONS

U.S. PATENT DOCUMENTS

D634,406	S *	3/2011	Klimas	.....	D23/262
D638,537	S *	5/2011	Virr	.....	D24/129
D641,467	S *	7/2011	Amann	.....	D24/129
8,100,127	B2	1/2012	Worley		
8,770,198	B2 *	7/2014	Yee	.....	A61M 16/08 128/207.13
2003/0236015	A1	12/2003	Edirisuriya et al.		
2007/0040378	A1	2/2007	Sheppard et al.		
2007/0218734	A1	9/2007	Walter et al.		
2007/0277828	A1	12/2007	Ho et al.		
2008/0054635	A1	3/2008	Skiba et al.		
2008/0066756	A1	3/2008	Lang et al.		
2008/0077176	A1	3/2008	Hanlon et al.		
2008/0105257	A1	5/2008	Klasek et al.		
2009/0126817	A1	5/2009	Gray		
2010/0083965	A1	4/2010	Virr et al.		
2010/0116272	A1 *	5/2010	Row	.....	F04D 1/00 128/204.17
2010/0236552	A1	9/2010	Kwok et al.		
2011/0023874	A1 *	2/2011	Bath	.....	A61M 16/0066 128/202.22
2012/0227738	A1 *	9/2012	Virr	.....	A61M 16/0051 128/204.21

FOREIGN PATENT DOCUMENTS

WO	WO 2006/133480	12/2006
WO	WO 2008/095245	8/2008
WO	WO 2009/077045	6/2009
WO	2010/031126	3/2010

Row et al., Design U.S. Appl. No. 29/311,222, filed Jan. 22, 2009.  
 New Zealand Examination Report issued in corresponding NZ Appln. No. 579384 (Feb. 4, 2011).  
 Virr et al., Design U.S. Appl. No. 29/311,183, filed Jan. 12, 2009.  
 Examination Report issued in related New Zealand Appln. No. 589766 (Mar. 12, 2012).  
 New Zealand First Examination Report for NZ Application No. 605324, dated Jan. 7, 2013, 2 pages.  
 Australian Patent Examination Report No. 1 for AU Application No. 2009212880, dated Jan. 14, 2013, 2 pages.  
 Further Examination Report issued in corresponding New Zealand Application No. 625795 dated Sep. 8, 2014, 2 pages.  
 New Zealand Further Examination Report for NZ Application No. 597179, dated Apr. 10, 2013, 1 page.  
 Patent Examination Report Issued in related Australian Application No. 20142014201737, dated Nov. 18, 2015, (2 pages).  
 Notice of Opposition to Grant of Patent and Application Under Regulation 168 for Extension of Time issued in related New Zealand Application No. 625975, dated Oct. 27, 2015, (3 pages).  
 Patent Examination Report No. 1 issued in related Australian Application No. 2014201737, dated May 18, 2015, (3 pages).  
 Office Action issued in related U.S. Appl. No. 12/461,967, dated Dec. 2, 2013, (45 pages).  
 Office Action issued in related U.S. Appl. No. 12/461,967, dated Jun. 30, 2014, (27 pages).  
 Office Action issued in related U.S. Appl. No. 12/461,967, dated Dec. 18, 2014, (28 pages).  
 Non-final Office Action issued in related U.S. Appl. No. 12/461,967, dated Jan. 29, 2016 (63 pages), including Form PTO-892 citing Perneti, et al., U.S. Pat. No. 5,762,382, issued Jun. 9, 1998.

\* cited by examiner

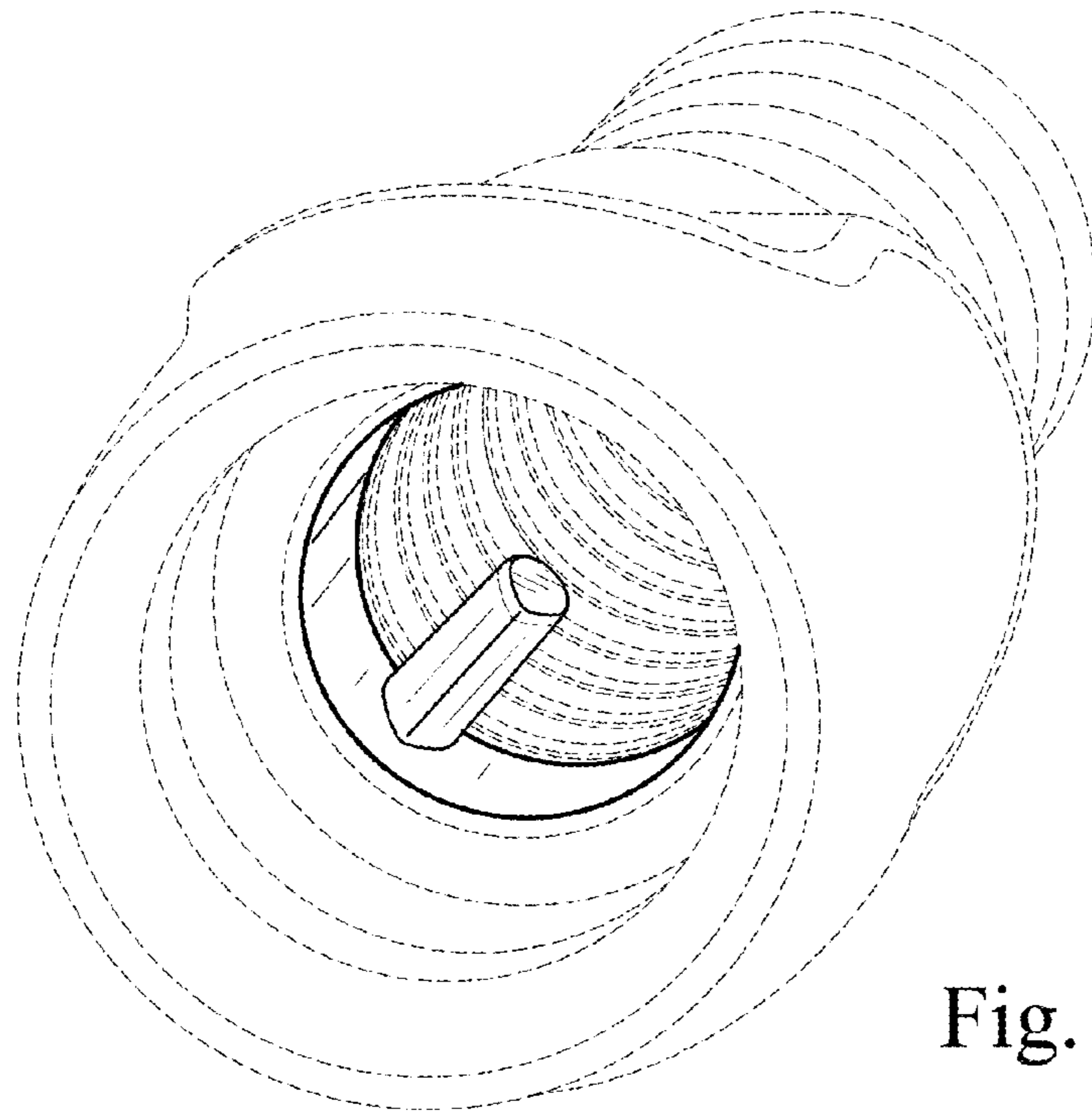


Fig. 1

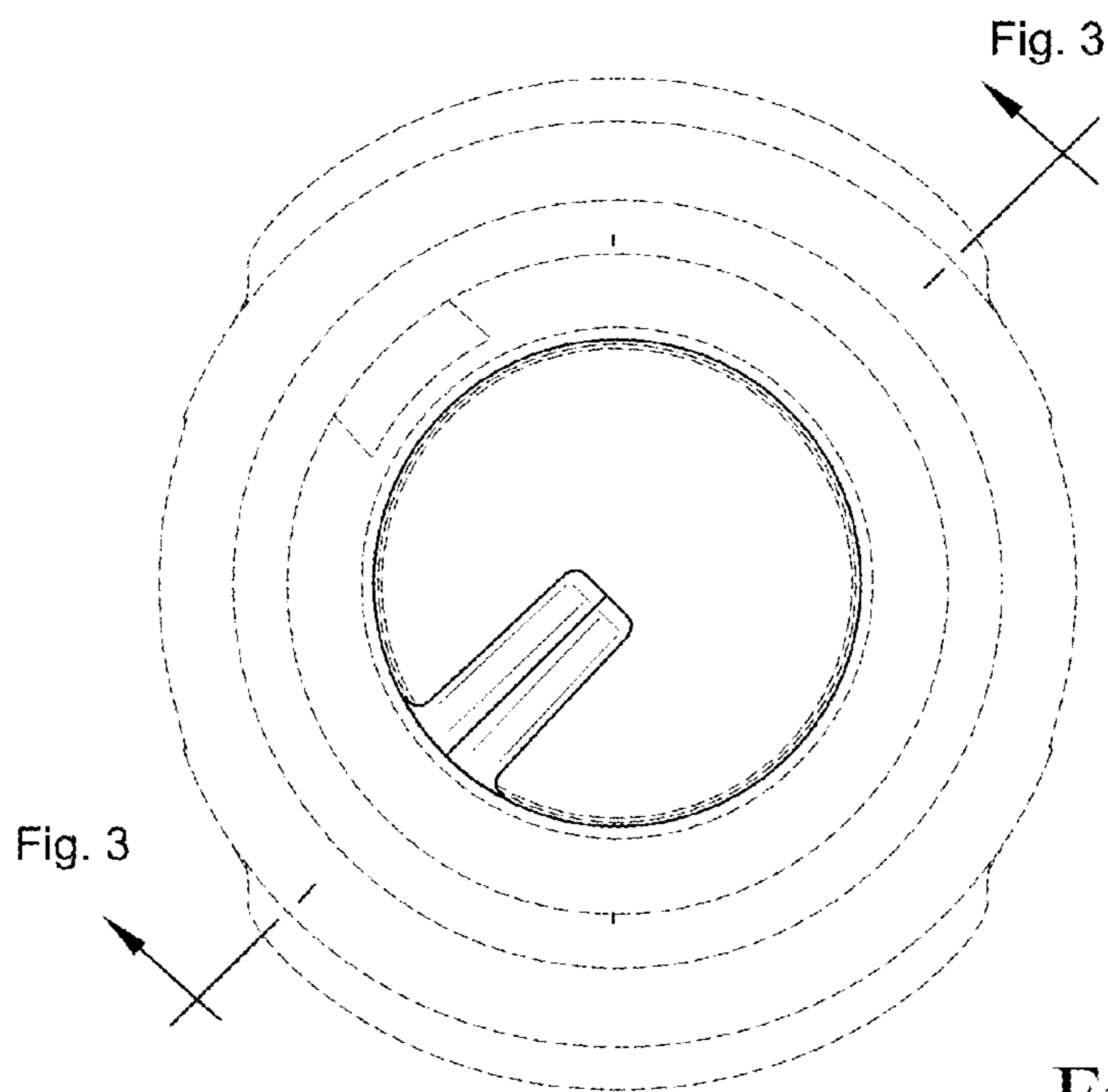


Fig. 3

Fig. 3

Fig. 2

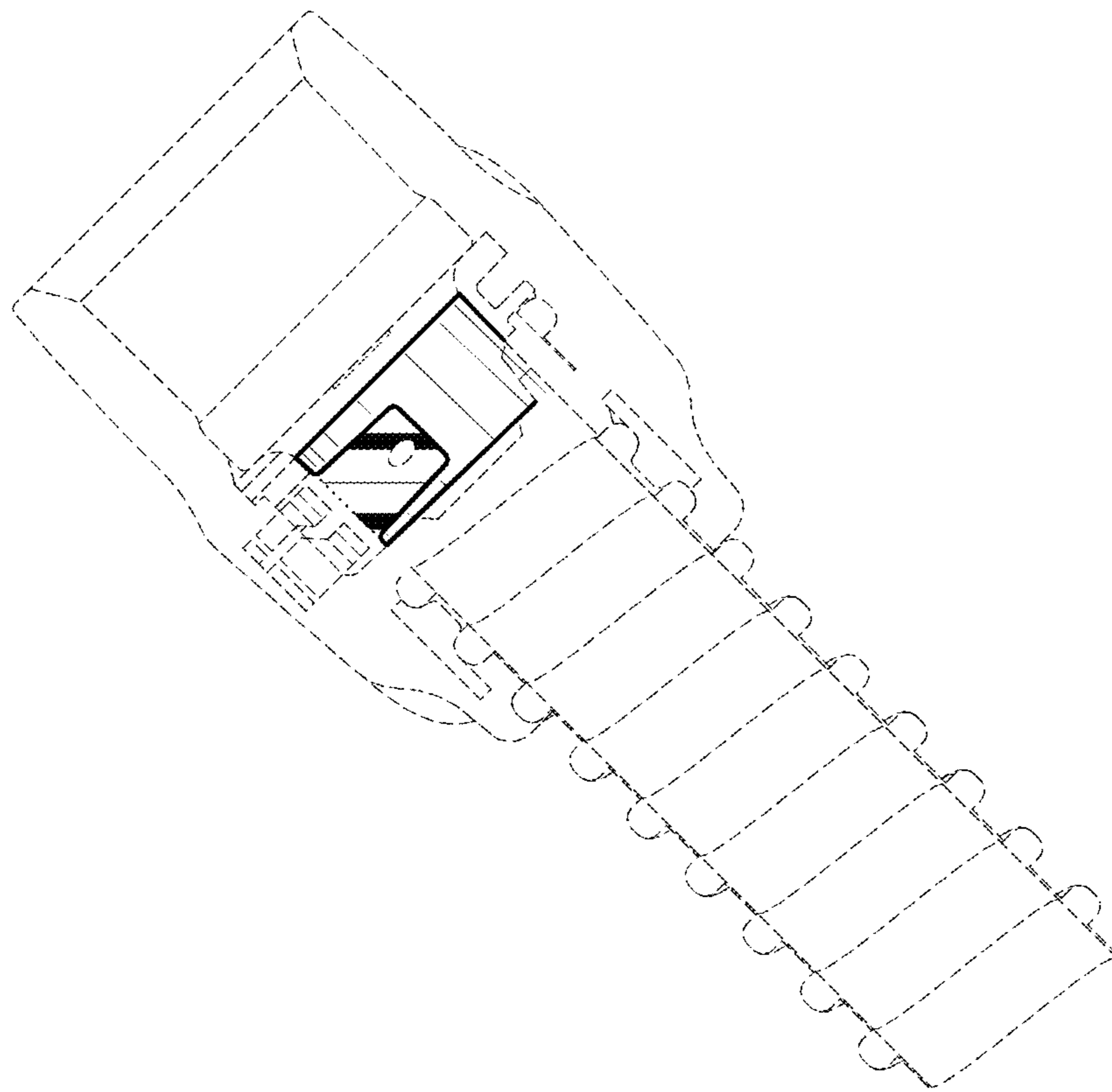


Fig. 3