



US00D754322S

(12) **United States Design Patent**
Collins et al.

(10) **Patent No.:** **US D754,322 S**
(45) **Date of Patent:** **** Apr. 19, 2016**

(54) **ENCLOSURE FOR A PORTABLE HEMODIALYSIS SYSTEM**

4,637,813 A * 1/1987 DeVries A61M 1/3693
604/6.01

(71) Applicant: **DEKA Products Limited Partnership**,
Manchester, NH (US)

(Continued)

(72) Inventors: **David E. Collins**, Manchester, NH (US);
Jared Nicholas Farlow, Boston, MA (US);
Katherine M. Morgan, Columbus, OH (US);
Kevin L. Grant, Litchfield, NH (US);
James D. Dale, Nashua, NH (US);
Jason A. Demers, Manchester, NH (US);
Arun D. Chawan, Manchester, NH (US)

OTHER PUBLICATIONS

“2008 Mini Cooper Interior View Photo,” 2 pages, http://www.motortrend.com/roadtests/hatchbacks/112_0702_2007_mini_cooper/photo_04.html (accessed Jul. 16, 2009).

(Continued)

(73) Assignee: **DEKA Products Limited Partnership**,
Manchester, NH (US)

Primary Examiner — Richard E Chilcot

(74) *Attorney, Agent, or Firm* — Wolf, Greenfield & Sacks, P.C.

(**) Term: **14 Years**

(57) **CLAIM**

The ornamental design for an enclosure for a portable hemodialysis system, as shown and described.

(21) Appl. No.: **29/480,450**

(22) Filed: **Jan. 27, 2014**

DESCRIPTION

Related U.S. Application Data

(60) Continuation of application No. 29/440,264, filed on Dec. 20, 2012, now Pat. No. Des. 698,437, which is a

(Continued)

(51) **LOC (10) Cl.** **24-06**

(52) **U.S. Cl.**
USPC **D24/103**

(58) **Field of Classification Search**
USPC D24/1, 127–145, 169, 191, 216–227;
D10/20–38, 57, 70–78, 98, 104;
600/229; 417/395; 604/5.05,
604/6.01–6.07, 63.08; 210/175, 246
See application file for complete search history.

FIG. 1 is a top, front, right-side perspective view of the enclosure for a portable hemodialysis system;
FIG. 2 is a top, rear, left-side perspective view of the enclosure for a portable hemodialysis system;
FIG. 3 is a front elevational view of the enclosure for a portable hemodialysis system;
FIG. 4 is a rear elevational view of the enclosure for a portable hemodialysis system;
FIG. 5 is a left-side elevational view of the enclosure for a portable hemodialysis system;
FIG. 6 is a right-side elevational view of the enclosure for a portable hemodialysis system;
FIG. 7 is a top plan view of the enclosure for a portable hemodialysis system; and,
FIG. 8 is a bottom plan view of the enclosure for a portable hemodialysis system.

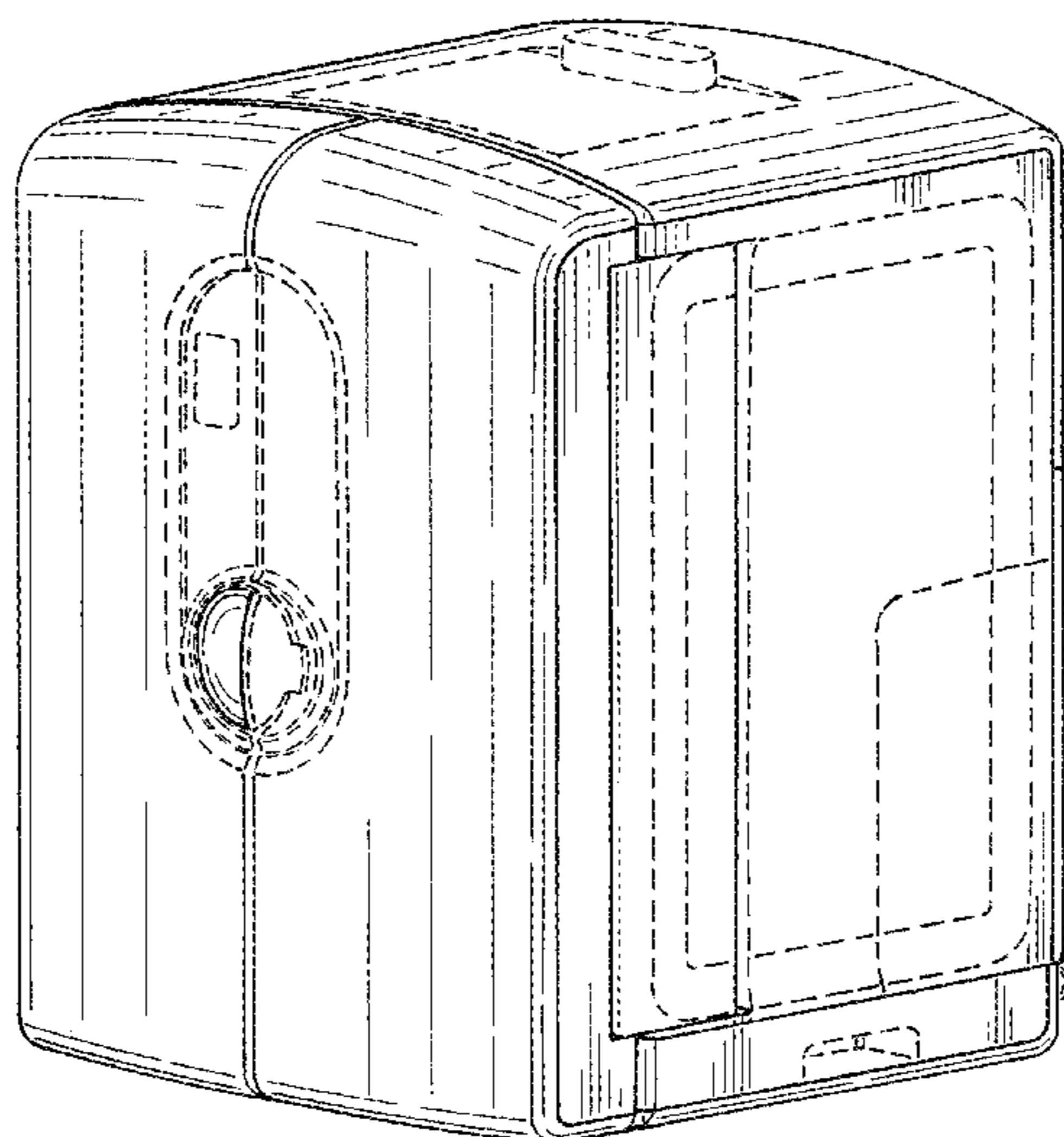
The broken lines shown are included for the purpose of illustrating portions of the enclosure that form no part of the claimed design.

(56) **References Cited**

U.S. PATENT DOCUMENTS

4,479,761 A * 10/1984 Bilstad A61M 1/3496
128/DIG. 12

1 Claim, 8 Drawing Sheets



Related U.S. Application Data

division of application No. 29/405,142, filed on Oct. 28, 2011, now Pat. No. Des. 675,727, which is a division of application No. 29/391,183, filed on May 4, 2011, now Pat. No. Des. 650,063, which is a division of application No. 29/323,597, filed on Aug. 27, 2008, now Pat. No. Des. 639,930.

(56)

References Cited

U.S. PATENT DOCUMENTS

5,116,316 A * 5/1992 Sertic A61M 5/16827
604/123
D350,823 S * 9/1994 Lanigan D24/111
5,420,962 A * 5/1995 Bakke A61M 5/44
392/379
5,568,362 A * 10/1996 Hansson H02B 1/305
174/50
D525,985 S * 8/2006 Gibson D14/488
D536,343 S * 2/2007 Fong D14/489
D565,579 S * 4/2008 Gunn D14/485
D606,197 S * 12/2009 Collins D24/111
D624,557 S * 9/2010 Allen D14/488

D639,930 S * 6/2011 Collins D24/107
D650,063 S * 12/2011 Collins D24/107
D664,660 S * 7/2012 Hickey D24/169
D669,497 S * 10/2012 Lee D14/489
D669,499 S * 10/2012 Gardner D14/495
D675,644 S * 2/2013 Frost D14/488
2009/0101549 A1 * 4/2009 Kamen A61M 1/106
210/85
2009/0114582 A1 * 5/2009 Grant A61M 1/16
210/175
2010/0056975 A1 * 3/2010 Dale A61M 1/16
604/6.16
2010/0057016 A1 * 3/2010 Dale A61M 5/16881
604/250
2010/0133153 A1 * 6/2010 Beden A61M 1/1037
210/85
2012/0096383 A1 * 4/2012 Sakamoto G06F 9/4443
715/772

OTHER PUBLICATIONS

Photo of 2007 Mini Cooper S Convertible door controls, 1 page,
http://1.yimg.com/dv/izp/mini_cooper_s_convertible_2007_interior_doorcontrols.jpg (accessed Jul. 16, 2009).

* cited by examiner

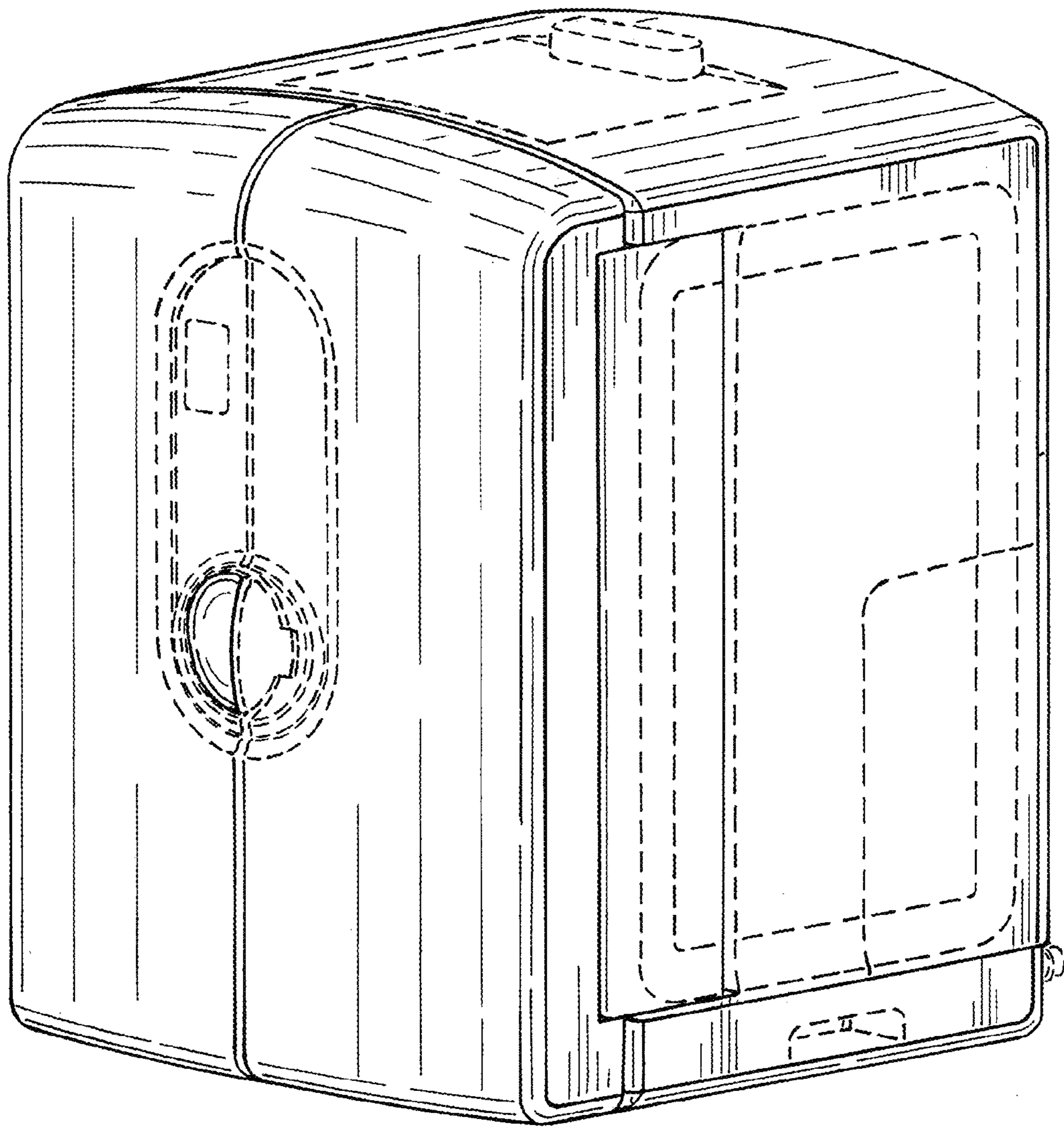


Fig. 1

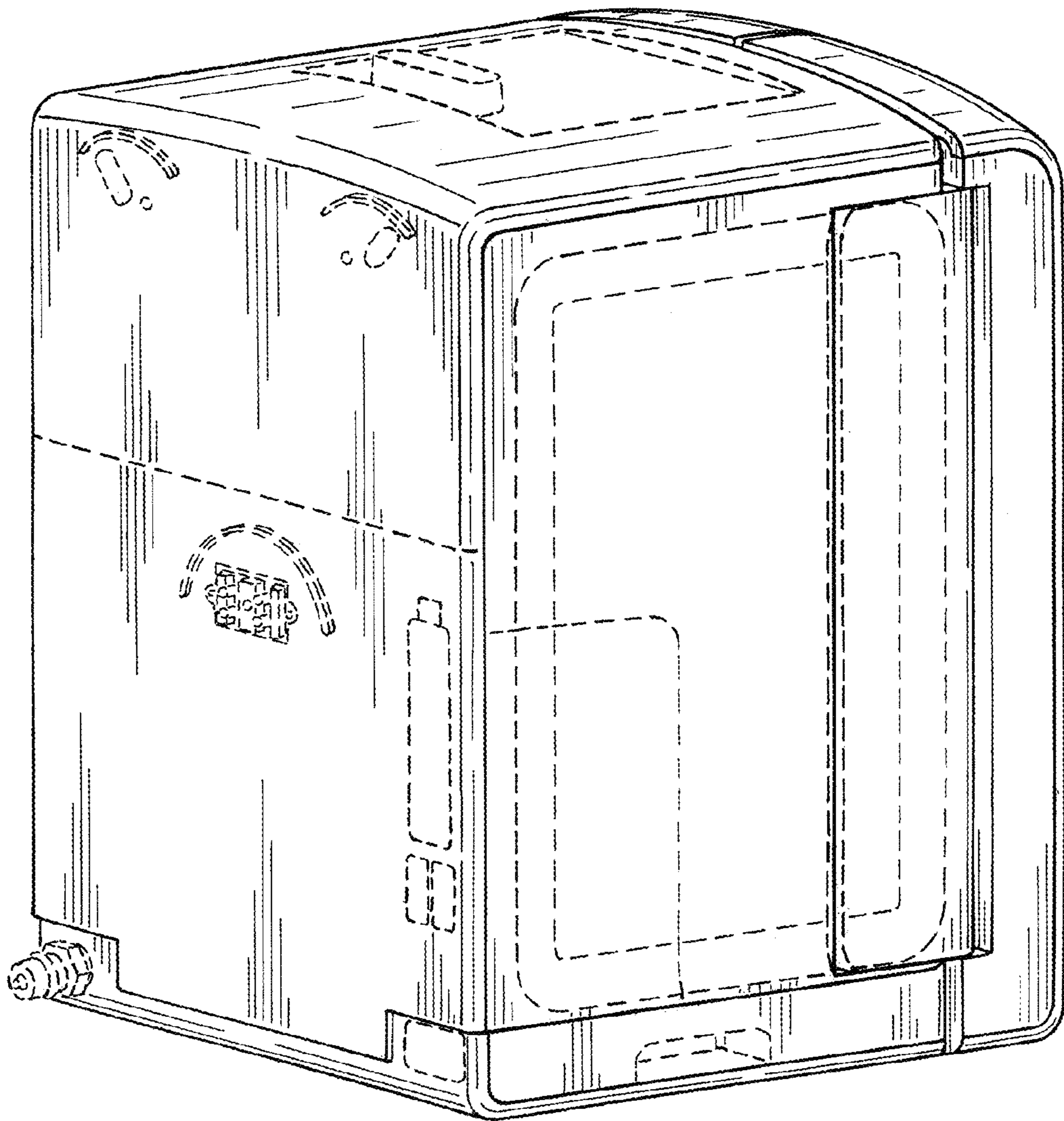


Fig. 2

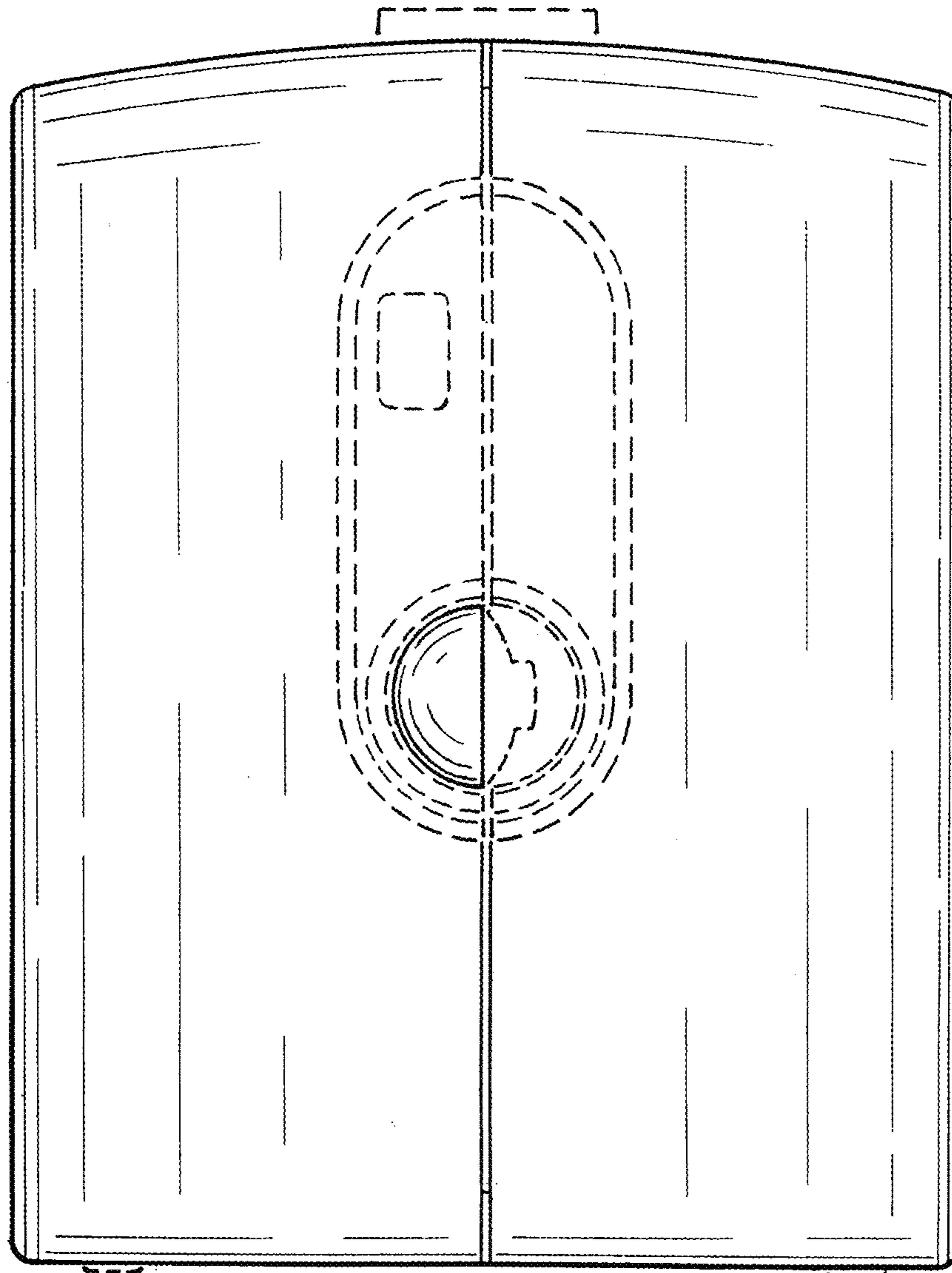


Fig. 3

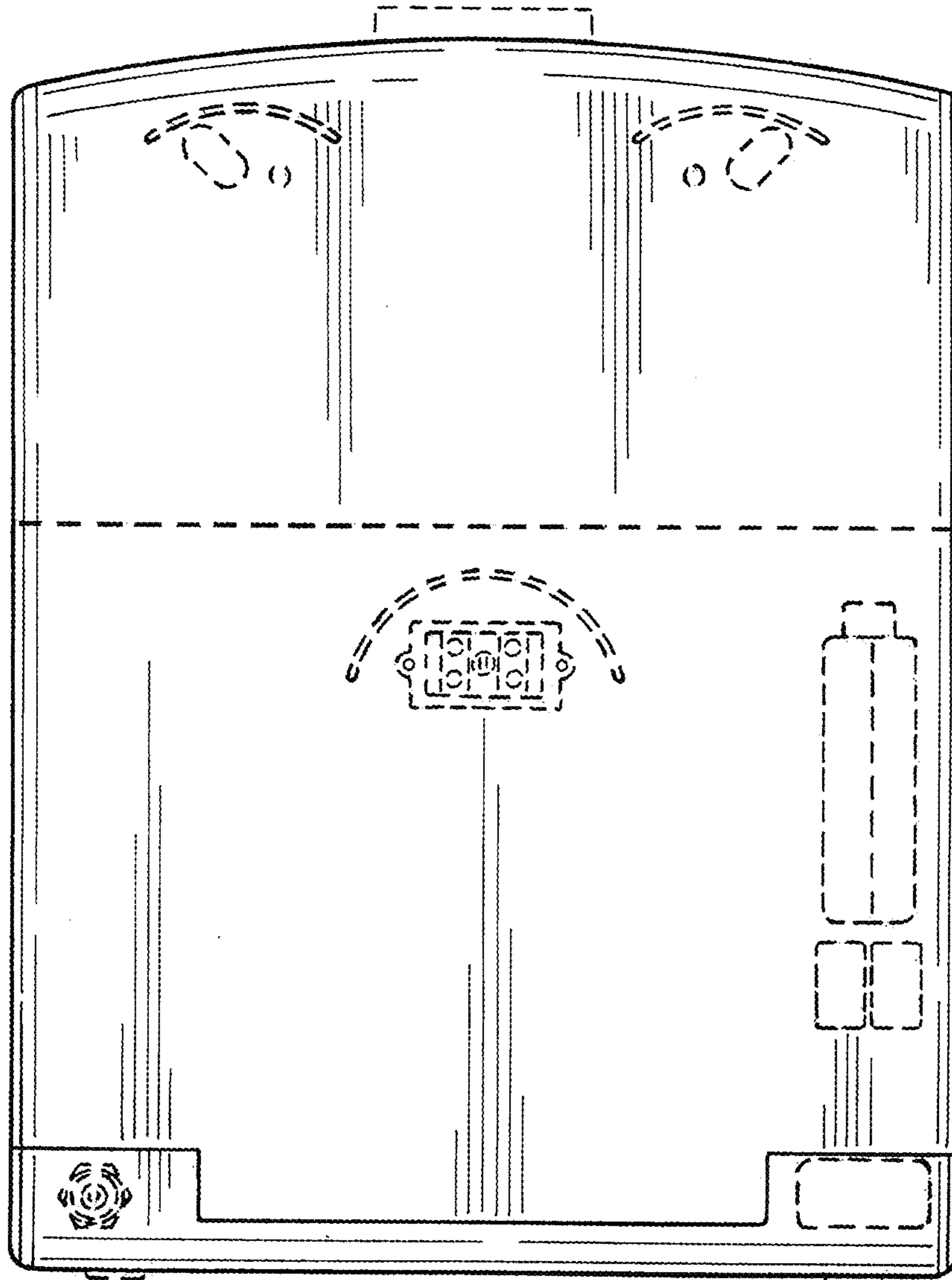


Fig. 4

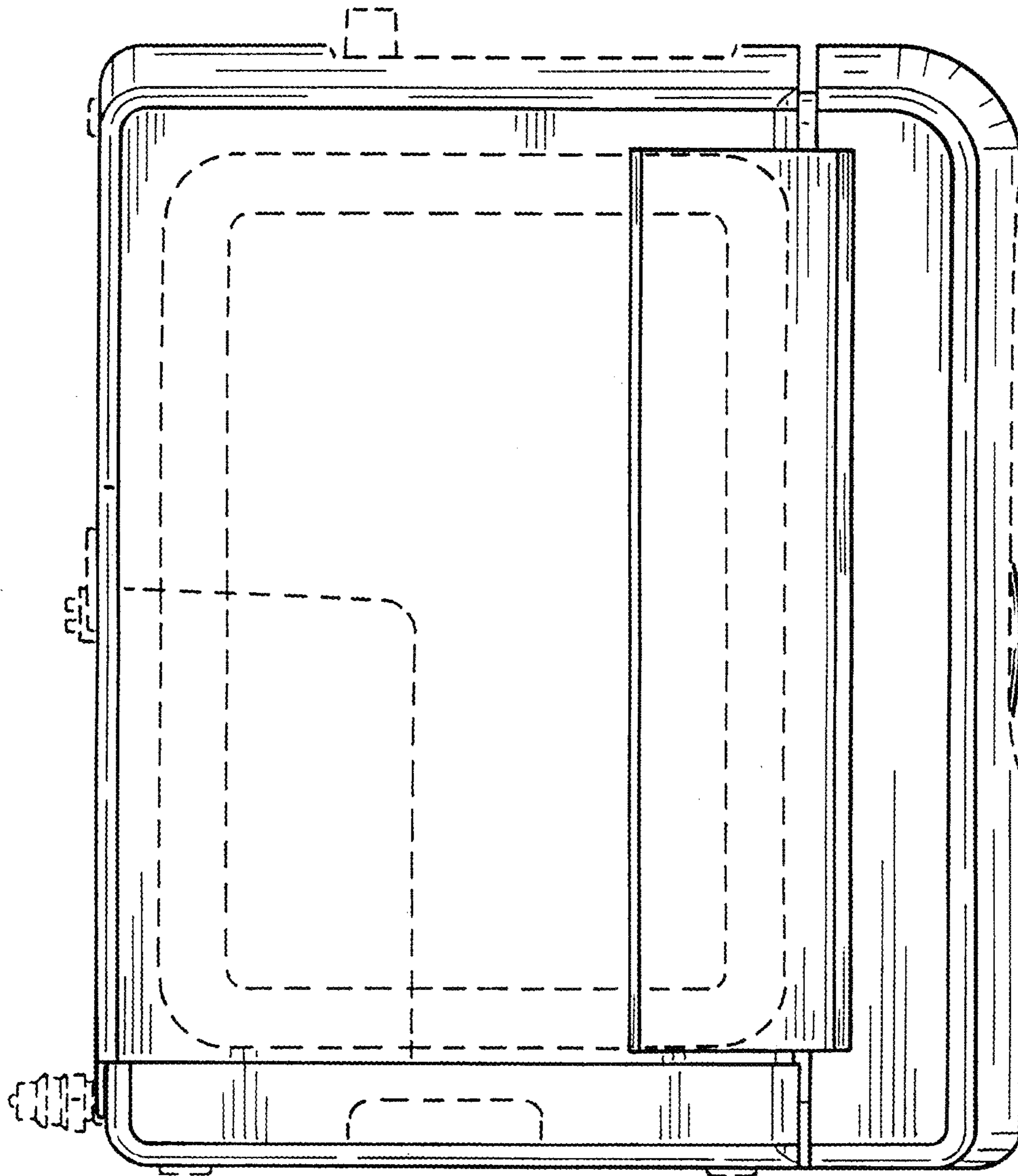


Fig. 5

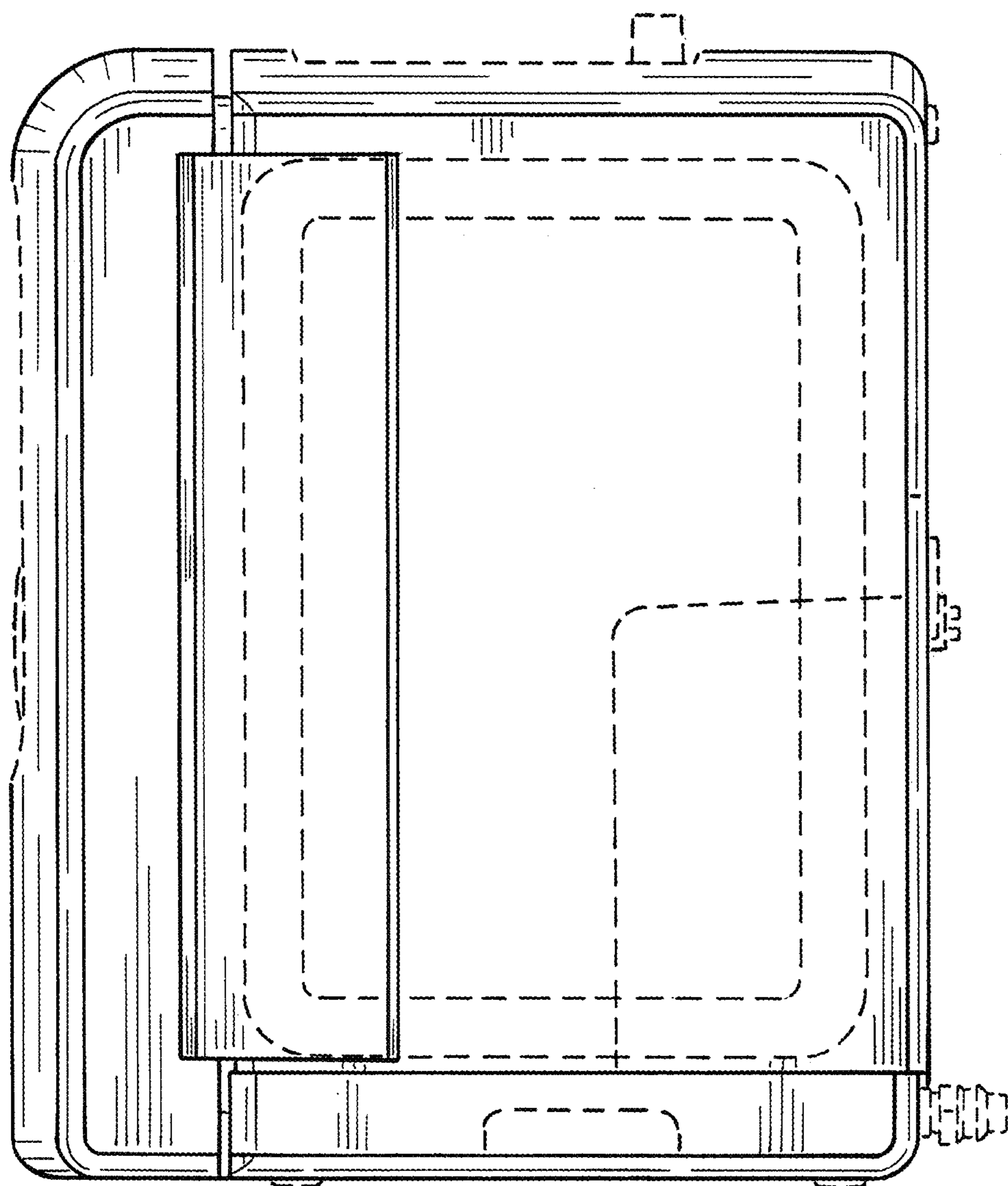


Fig. 6

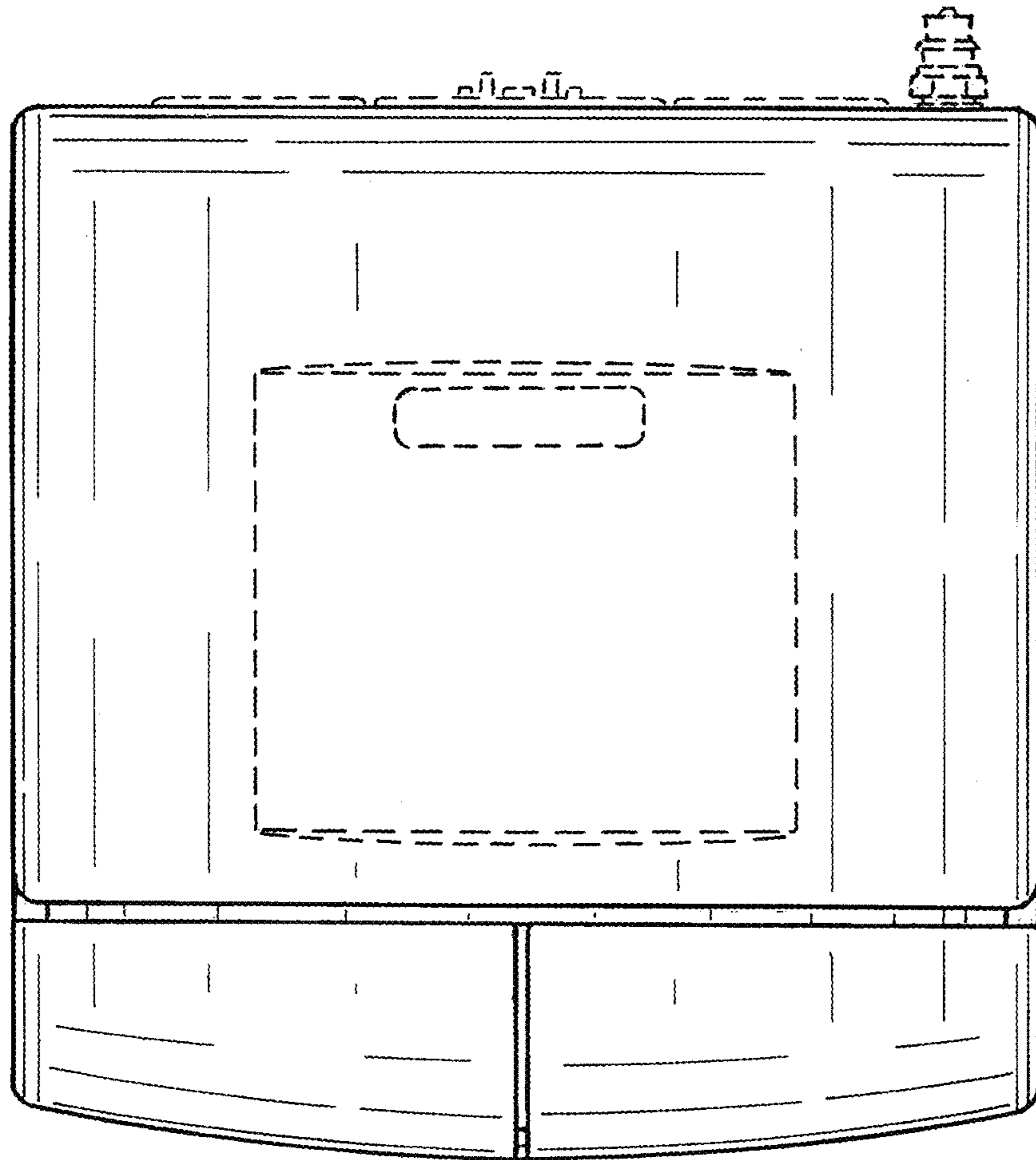


Fig. 7

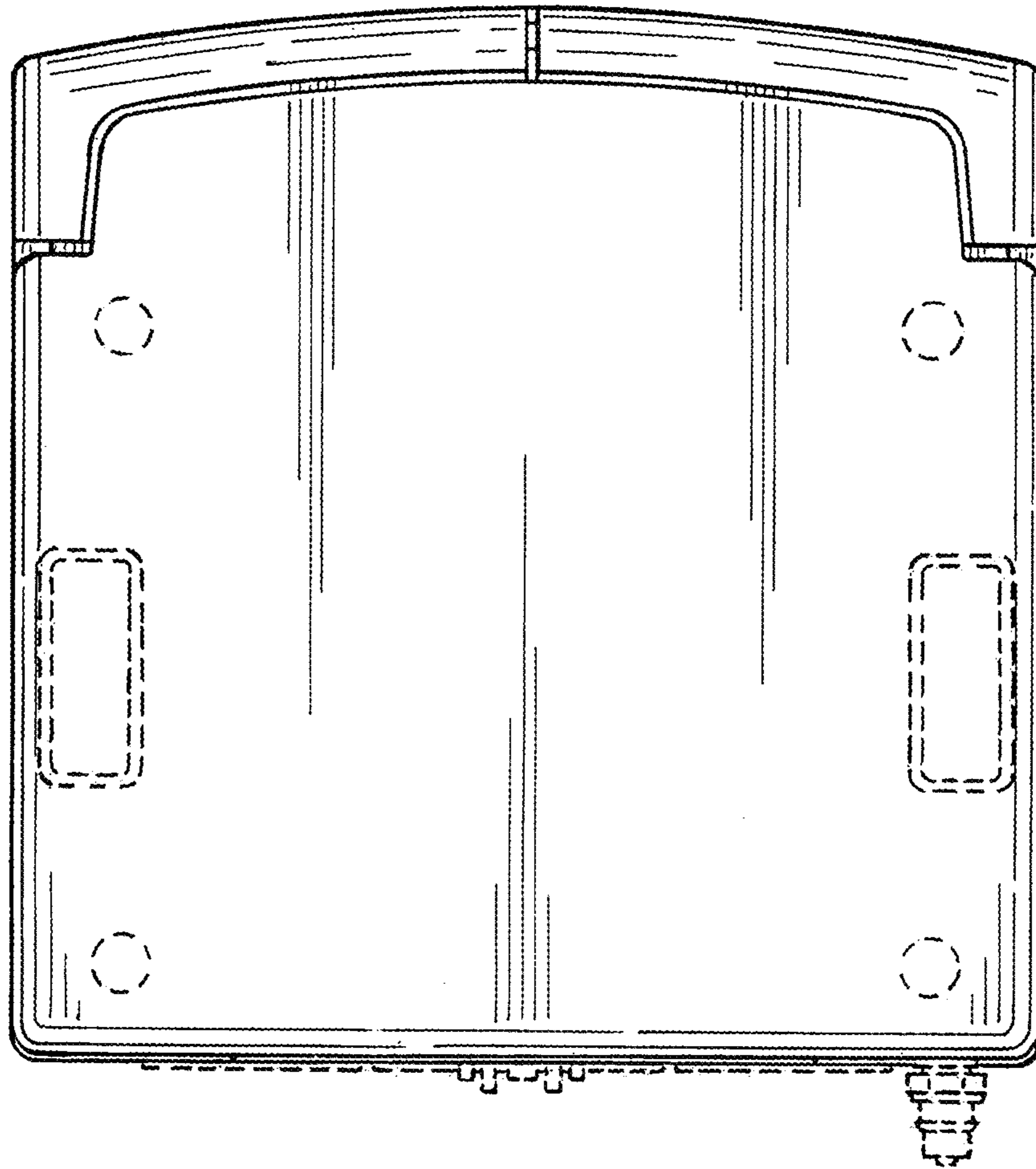


Fig. 8