



US00D754321S

(12) **United States Design Patent**
Park et al.

(10) **Patent No.:** **US D754,321 S**
(45) **Date of Patent:** **** Apr. 19, 2016**

- (54) **CEILING FAN WITH LIGHT**
- (71) Applicant: **ZALMAN TECH CO., LTD.**,
Anyang-si, Gyeonggi-do (KR)
- (72) Inventors: **Sang Woong Park**, Suwon-si (KR);
Sang Il Park, Seoul (KR); **Gi Won Eum**, Seoul (KR)
- (73) Assignee: **ZALMAN TECH CO., LTD.**,
Anyang-si, Gyeonggi-do (KR)
- (**) Term: **14 Years**
- (21) Appl. No.: **29/522,282**
- (22) Filed: **Mar. 30, 2015**
- (30) **Foreign Application Priority Data**
Sep. 30, 2014 (KR) 30-2014-0047368
- (51) **LOC (10) Cl.** **23-04**
- (52) **U.S. Cl.**
USPC **D23/385; D26/59**
- (58) **Field of Classification Search**
USPC D23/351, 370, 371, 381, 385, 386, 388,
D23/411, 412; D26/59, 72, 74, 89, 118, 119
CPC ... F24F 13/28; F24F 7/007; F24F 2001/0037;
F24F 7/10; F24F 13/06; F24F 13/078; F21V
33/0088
See application file for complete search history.

- (56) **References Cited**
U.S. PATENT DOCUMENTS
D282,972 S * 3/1986 Castor D26/59
D288,007 S * 1/1987 Jonas D23/366
D403,787 S * 1/1999 Van Belle D26/28

| | | | | |
|----------------|---------|----------|-------|------------|
| D452,904 S * | 1/2002 | Peng | | D23/370 |
| D452,906 S * | 1/2002 | Peng | | D23/370 |
| D511,379 S * | 11/2005 | Penlesky | | D23/412 |
| D530,808 S * | 10/2006 | Sinur | | D23/385 |
| D531,301 S * | 10/2006 | Sinur | | D23/385 |
| D533,956 S * | 12/2006 | Vladika | | D26/118 |
| D575,386 S * | 8/2008 | Jacak | | D23/371 |
| D575,388 S * | 8/2008 | Deng | | D23/372 |
| D618,782 S * | 6/2010 | Zakula | | D23/385 |
| D667,162 S * | 9/2012 | Choi | | D26/89 |
| D668,375 S * | 10/2012 | Daniels | | D26/89 |
| D674,524 S * | 1/2013 | Davies | | D26/28 |
| D679,046 S * | 3/2013 | Hoshino | | D26/120 |
| 8,967,832 B2 * | 3/2015 | Zakula | | 362/249.02 |

* cited by examiner

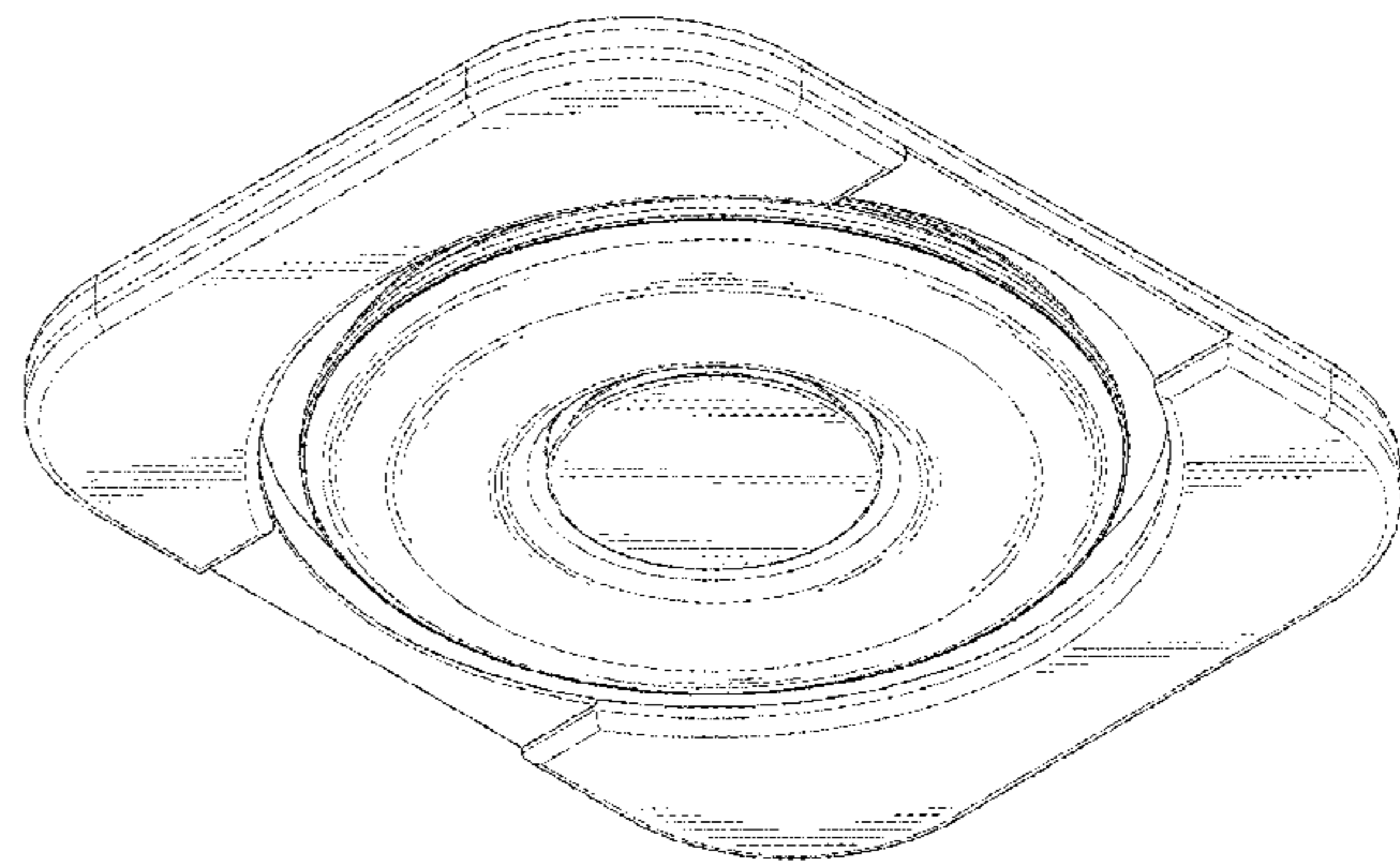
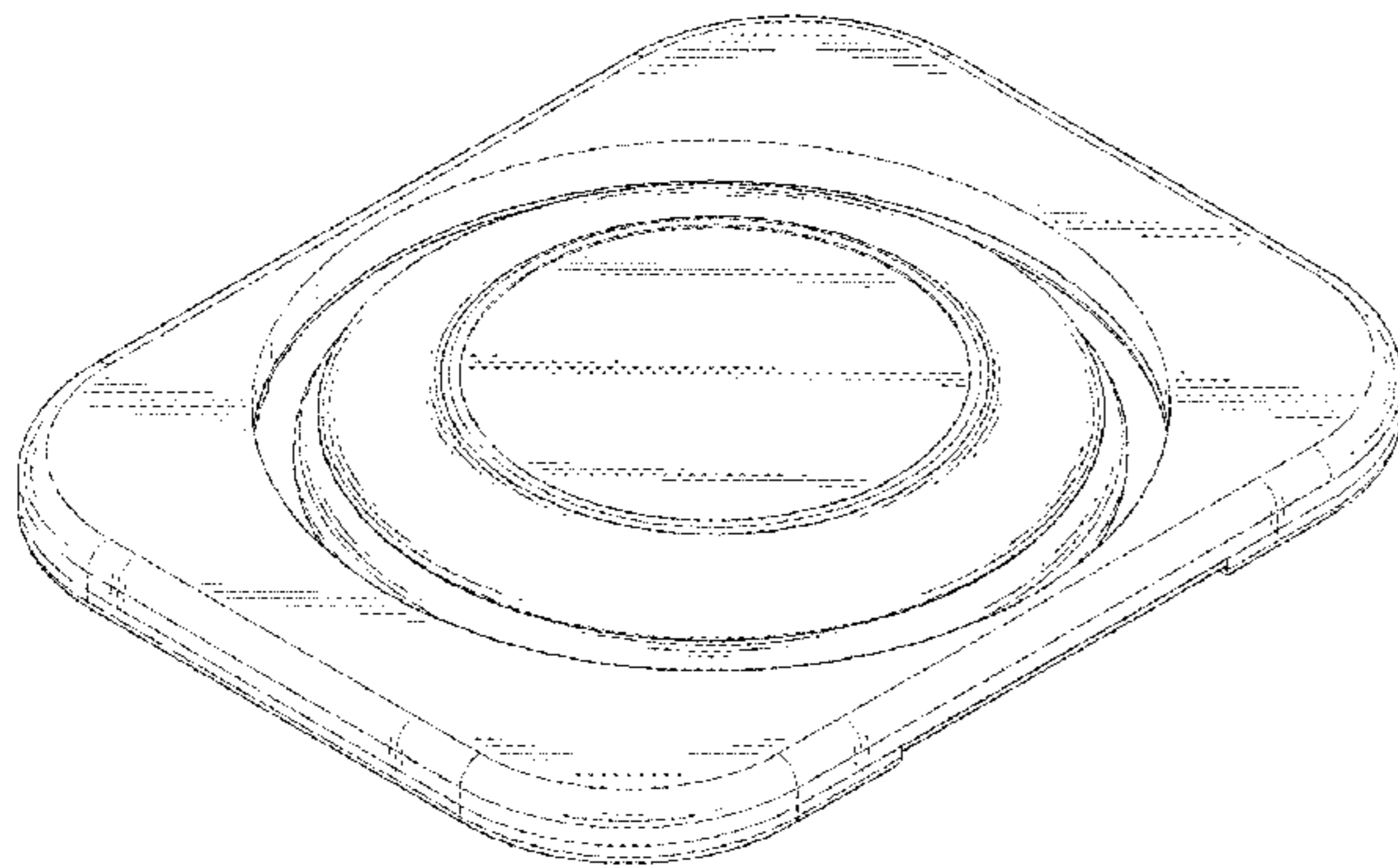
Primary Examiner — Susan Bennett Hattan
Assistant Examiner — Janice Hallmark
(74) *Attorney, Agent, or Firm* — Ladas & Parry LLP

(57) **CLAIM**
The ornamental design for a ceiling fan with light, as shown and described.

DESCRIPTION

FIG. 1 is a perspective view of a ceiling fan with light showing our new design;
FIG. 2 is a front elevational view thereof;
FIG. 3 is a rear elevational view thereof;
FIG. 4 is a left side elevational view thereof;
FIG. 5 is a right side elevational view thereof;
FIG. 6 is a top plan view thereof;
FIG. 7 is a bottom plan view thereof; and,
FIG. 8 is a perspective view of the ceiling fan with light, viewed from below.

1 Claim, 6 Drawing Sheets



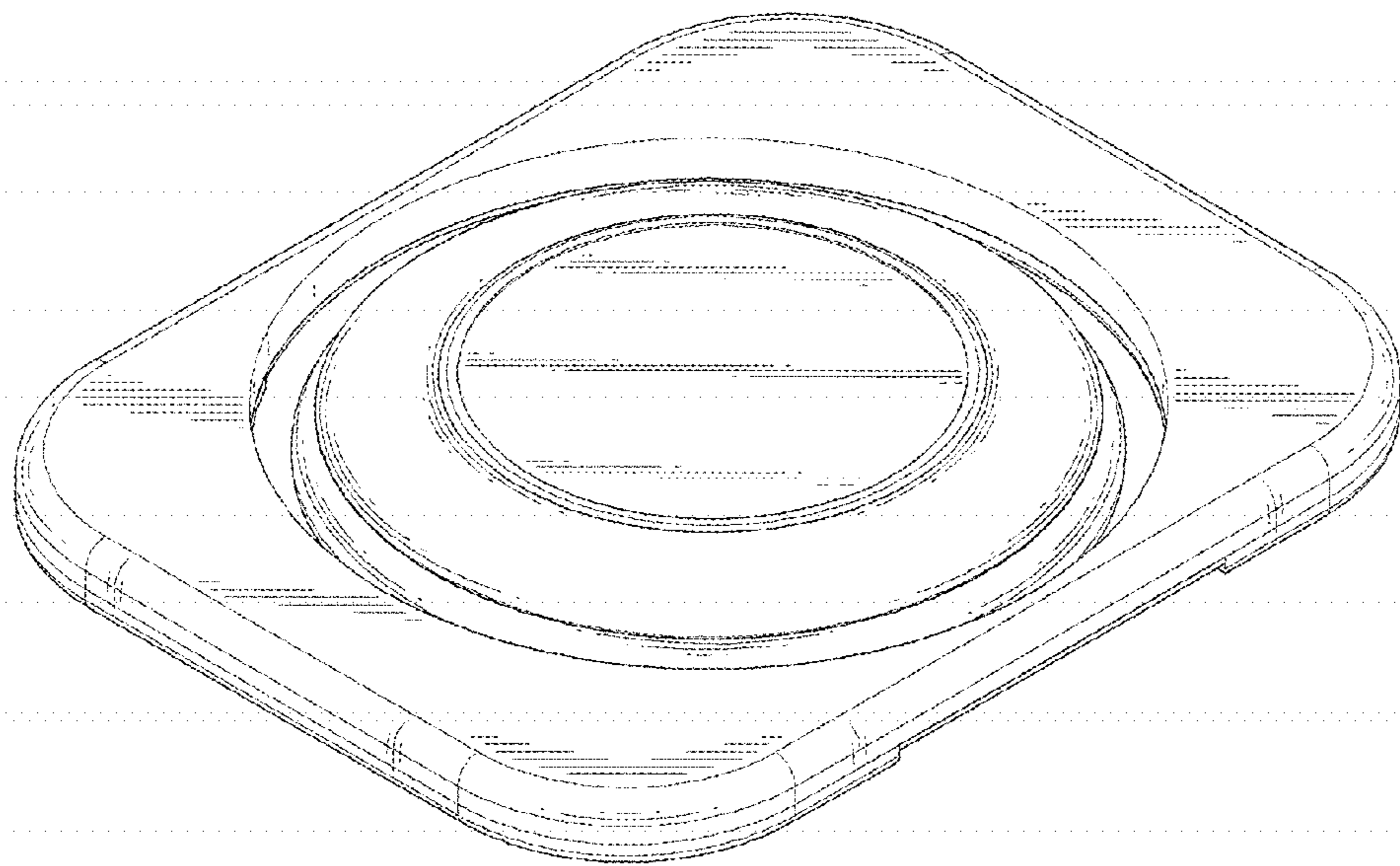


FIG. 1

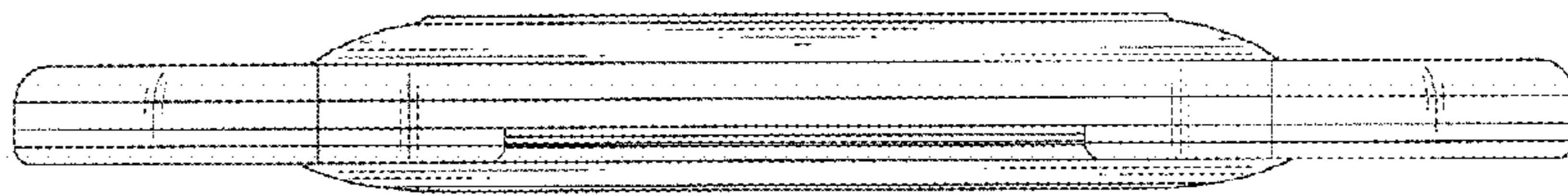


FIG. 2

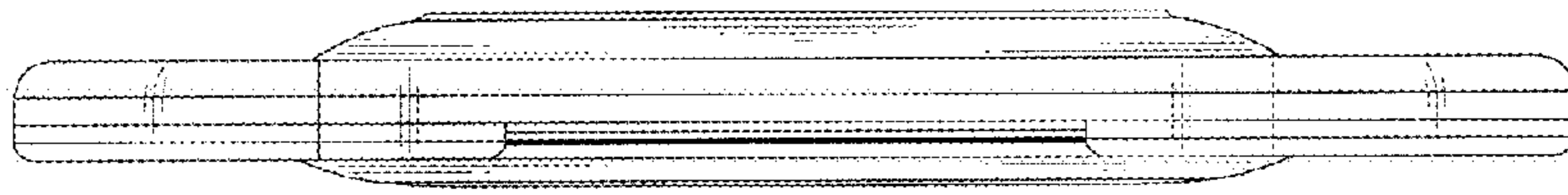


FIG. 3

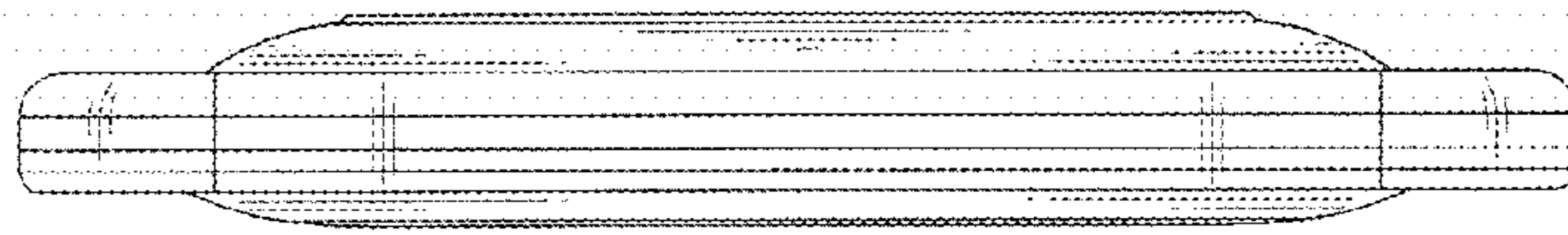


FIG. 4

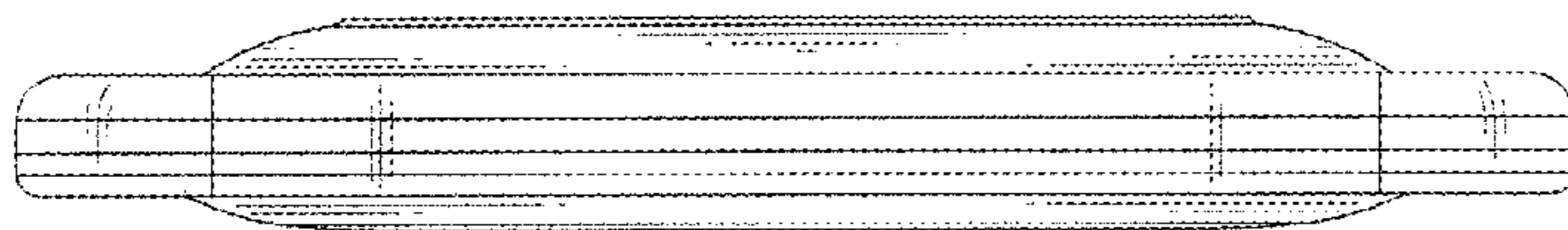


FIG. 5

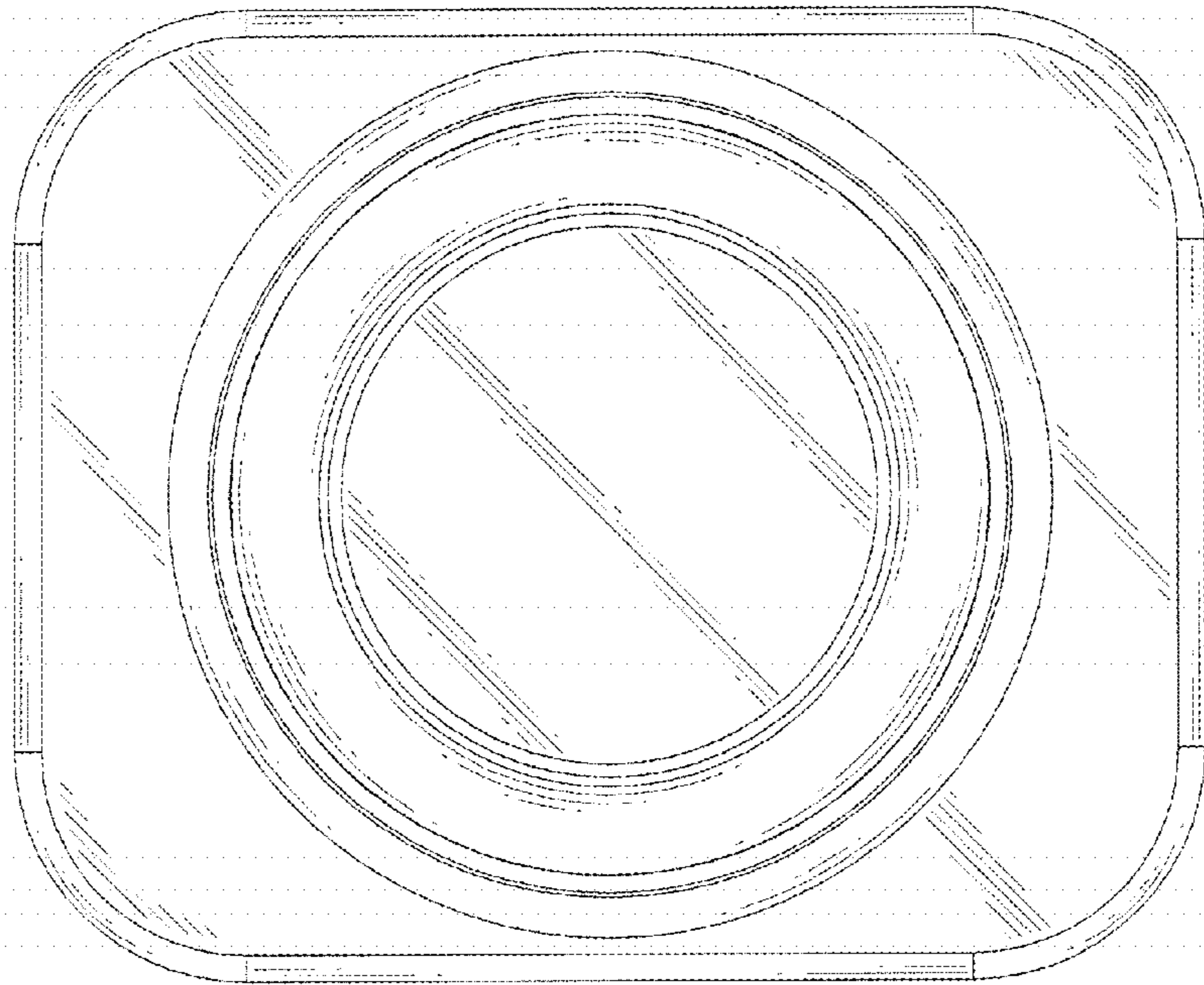


FIG. 6

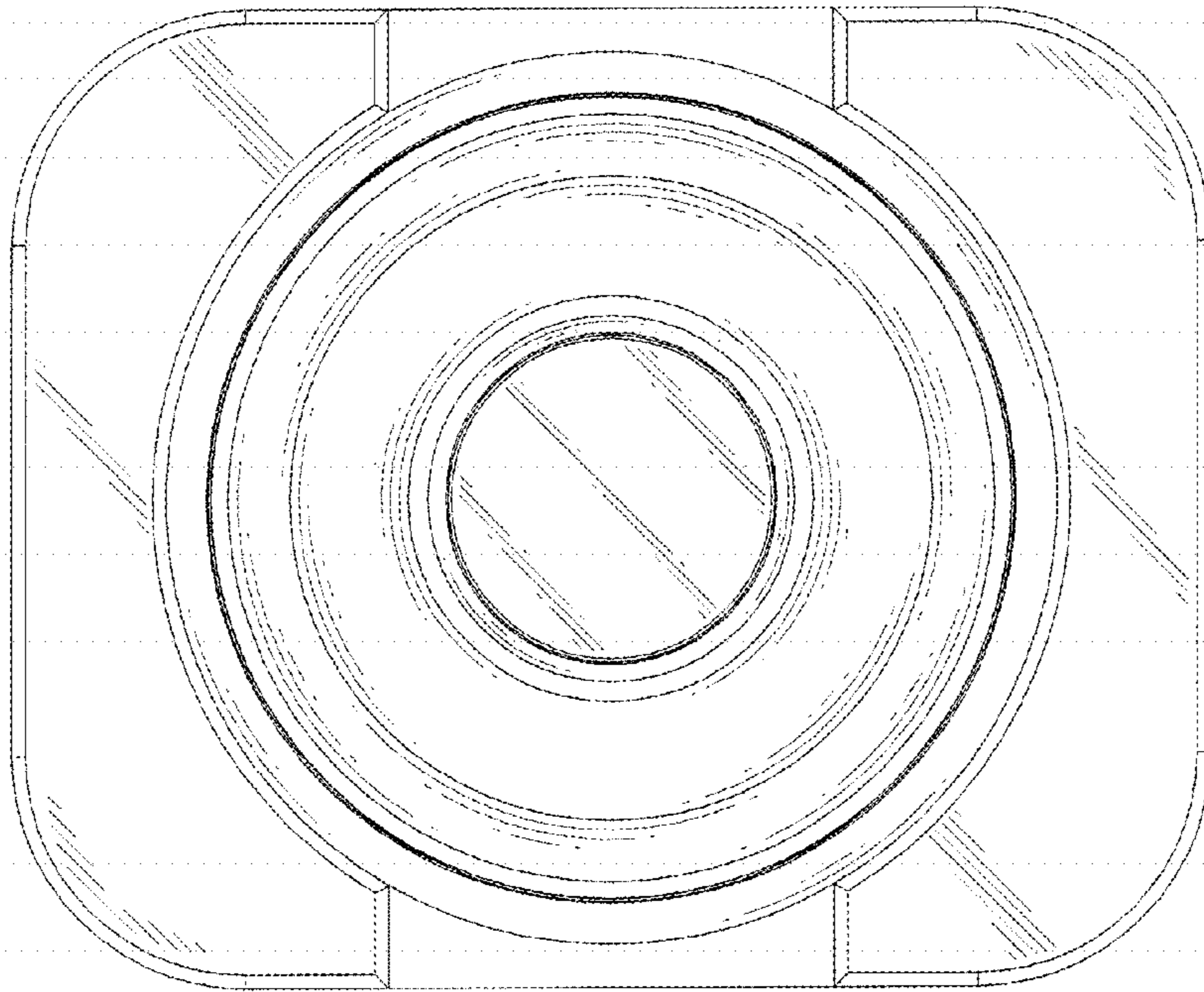


FIG. 7

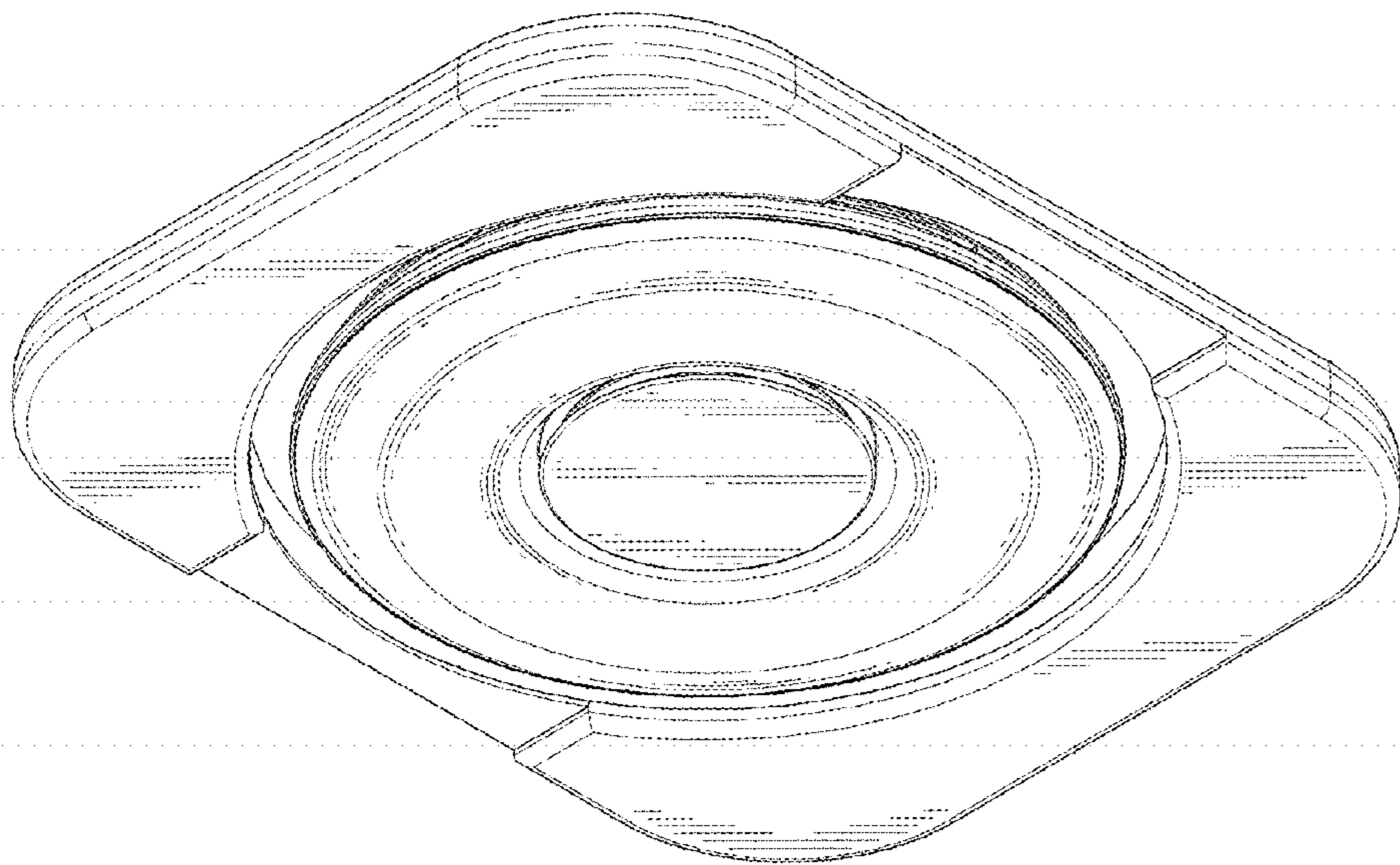


FIG. 8