



US00D754319S

(12) **United States Design Patent**
Park et al.

(10) **Patent No.:** **US D754,319 S**
(45) **Date of Patent:** **** Apr. 19, 2016**

(54) **CEILING FAN WITH LIGHT**

(71) Applicant: **ZALMAN TECH CO., LTD.**,
Anyang-si, Gyeonggi-do (KR)

(72) Inventors: **Sang Woong Park**, Suwon-si (KR);
Sang Il Park, Seoul (KR); **Seo Haeng Lee**, Seoul (KR)

(73) Assignee: **ZALMAN TECH CO., LTD.**,
Anyang-si, Gyeonggi-do (KR)

(**) Term: **14 Years**

(21) Appl. No.: **29/504,538**

(22) Filed: **Oct. 7, 2014**

(30) **Foreign Application Priority Data**

Apr. 7, 2014 (KR) 30-2014-0017307

(51) **LOC (10) Cl.** **23-04**

(52) **U.S. Cl.**
USPC **D23/385**; D26/59

(58) **Field of Classification Search**
USPC D23/351, 370, 371, 381, 385, 386, 388,
D23/411, 412; D26/59, 72, 74, 89, 118, 119
CPC ... F24F 13/28; F24F 7/007; F24F 2001/0037;
F24F 7/10; F24F 13/06
See application file for complete search history.

(56) **References Cited**

U.S. PATENT DOCUMENTS

D212,899 S * 12/1968 Vesely D26/24
D452,904 S * 1/2002 Peng D23/370
D452,906 S * 1/2002 Peng D23/370
D511,379 S * 11/2005 Penlesky D23/412
D514,732 S * 2/2006 Benensohn D26/89
D533,956 S * 12/2006 Vladika D26/118

D575,386 S * 8/2008 Jacak D23/371
D575,388 S * 8/2008 Deng D23/372
D595,402 S * 6/2009 Miyake D23/385
D617,441 S * 6/2010 Koury D23/385
D617,889 S * 6/2010 Miyake D23/385
D618,782 S * 6/2010 Zakula D23/385
D634,055 S * 3/2011 Hokazono D26/89
D641,098 S * 7/2011 Wildner D26/85
D667,162 S * 9/2012 Choi D26/89
D668,375 S * 10/2012 Daniels D26/89
D672,493 S * 12/2012 Lee D26/88
D674,524 S * 1/2013 Davies D26/28
D691,762 S * 10/2013 Sieczkowski D26/89
D730,570 S * 5/2015 Chen D26/128
2013/0143481 A1 * 6/2013 Kagawa F04D 25/12
D25/12
2014/0302772 A1 * 10/2014 Nizich F24F 13/06
454/334

* cited by examiner

Primary Examiner — Susan Bennett Hattan

Assistant Examiner — Janice Hallmark

(74) *Attorney, Agent, or Firm* — Ladas & Parry LLP

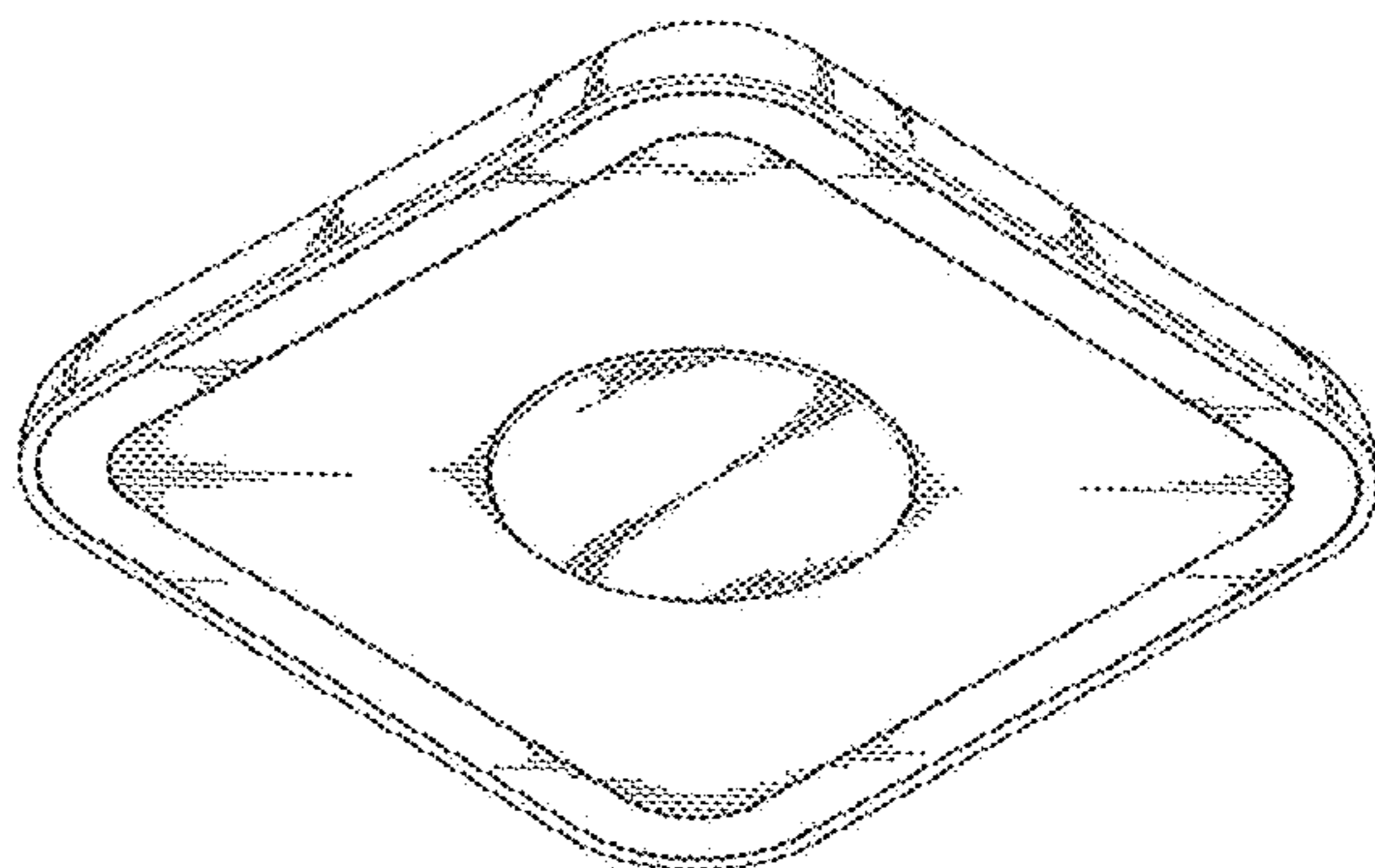
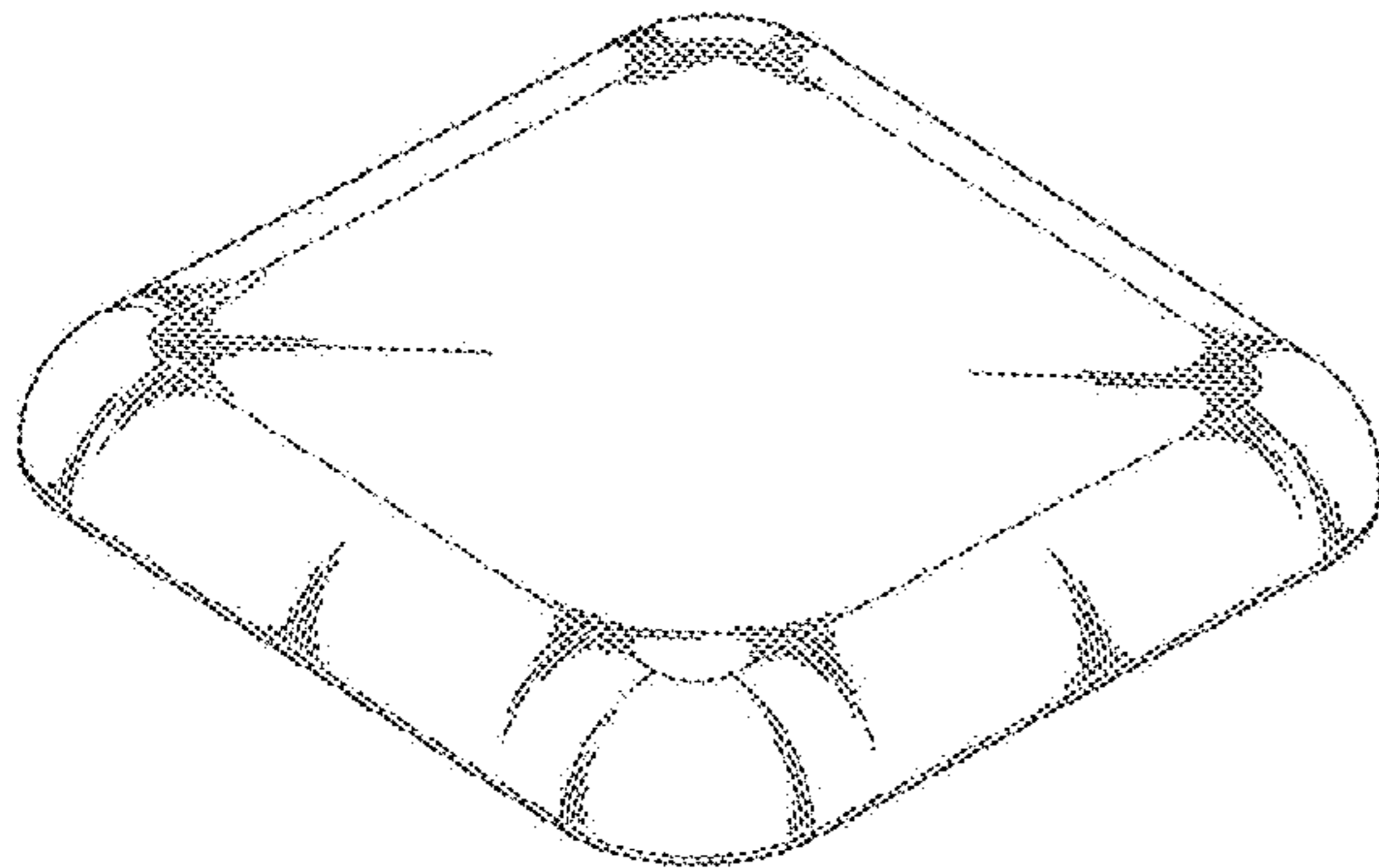
(57) **CLAIM**

The ornamental design for a ceiling fan with light, as shown and described.

DESCRIPTION

FIG. 1 is a perspective view from the front and top of the ceiling fan with light embodying our new design; FIG. 2 is a front elevational view thereof; FIG. 3 is a rear elevational view thereof; FIG. 4 is a left side elevational view thereof; FIG. 5 is a right side elevational view thereof; FIG. 6 is a top plan view thereof; FIG. 7 is a bottom plan view thereof; and, FIG. 8 is a perspective view of the ceiling fan with a light, viewed from below.

1 Claim, 6 Drawing Sheets



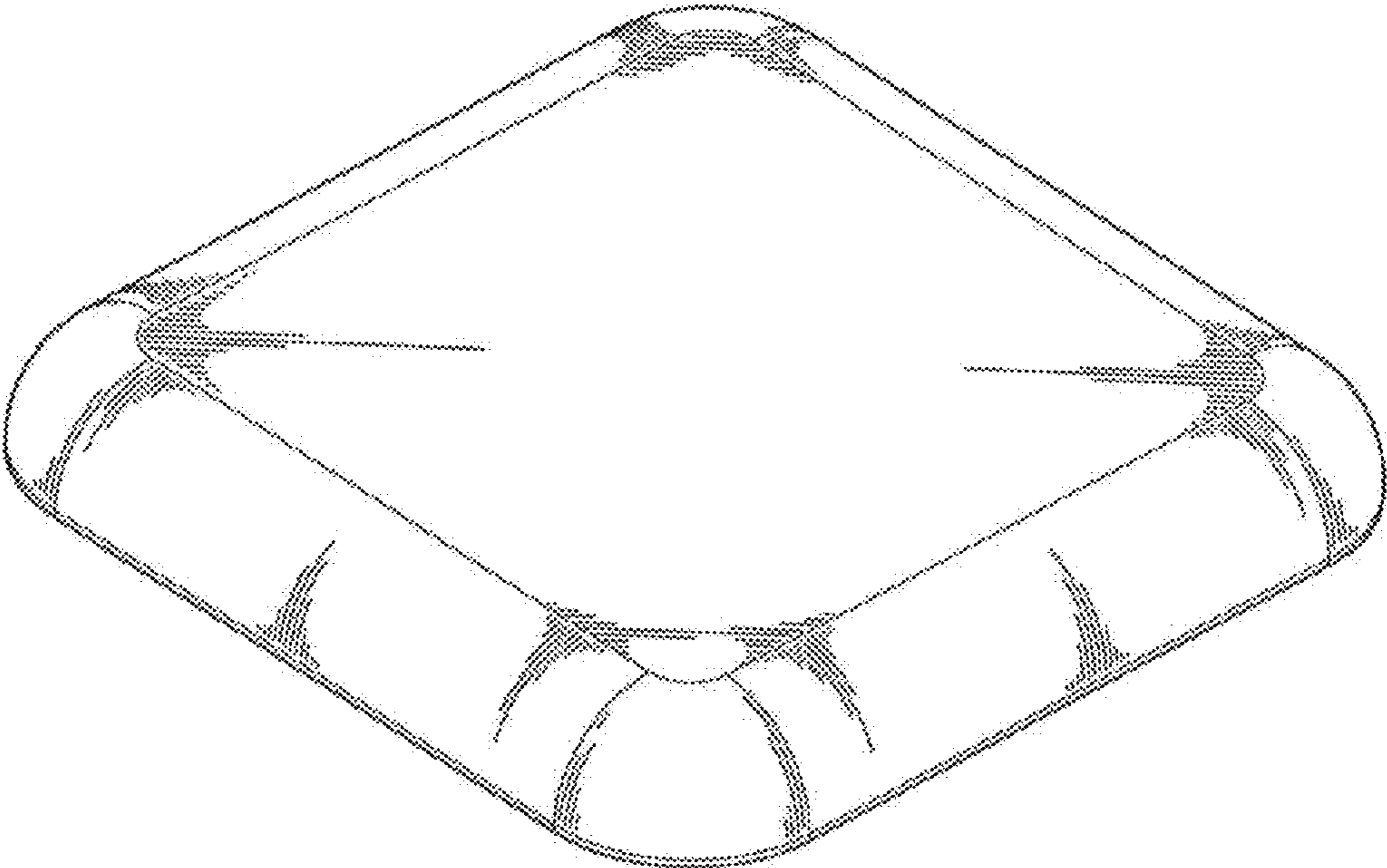


FIG. 1



FIG. 2

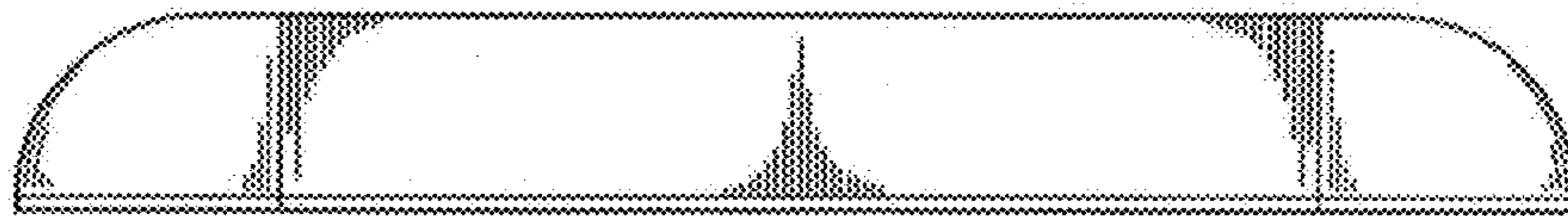


FIG. 3



FIG. 4



FIG. 5

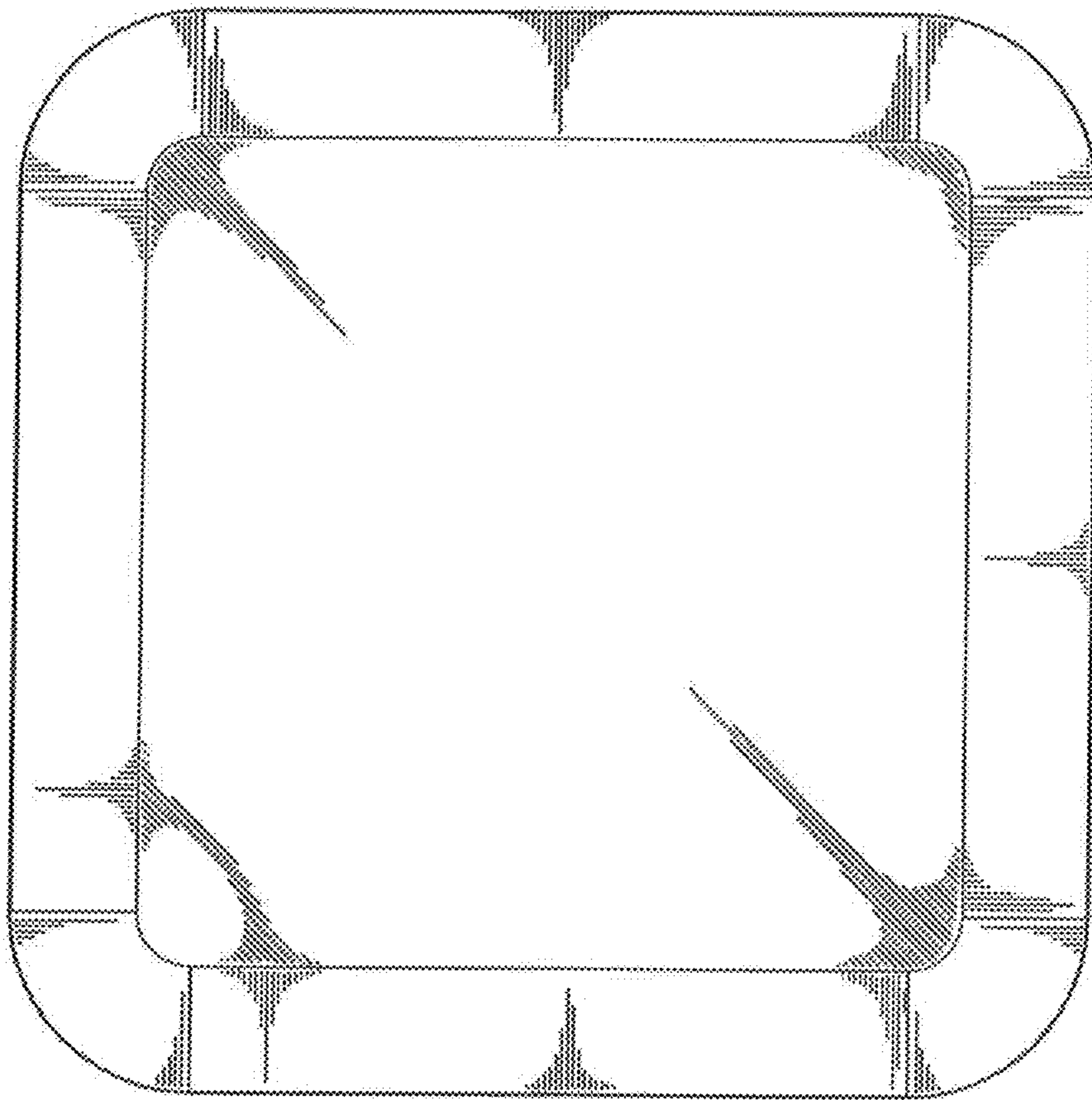


FIG. 6

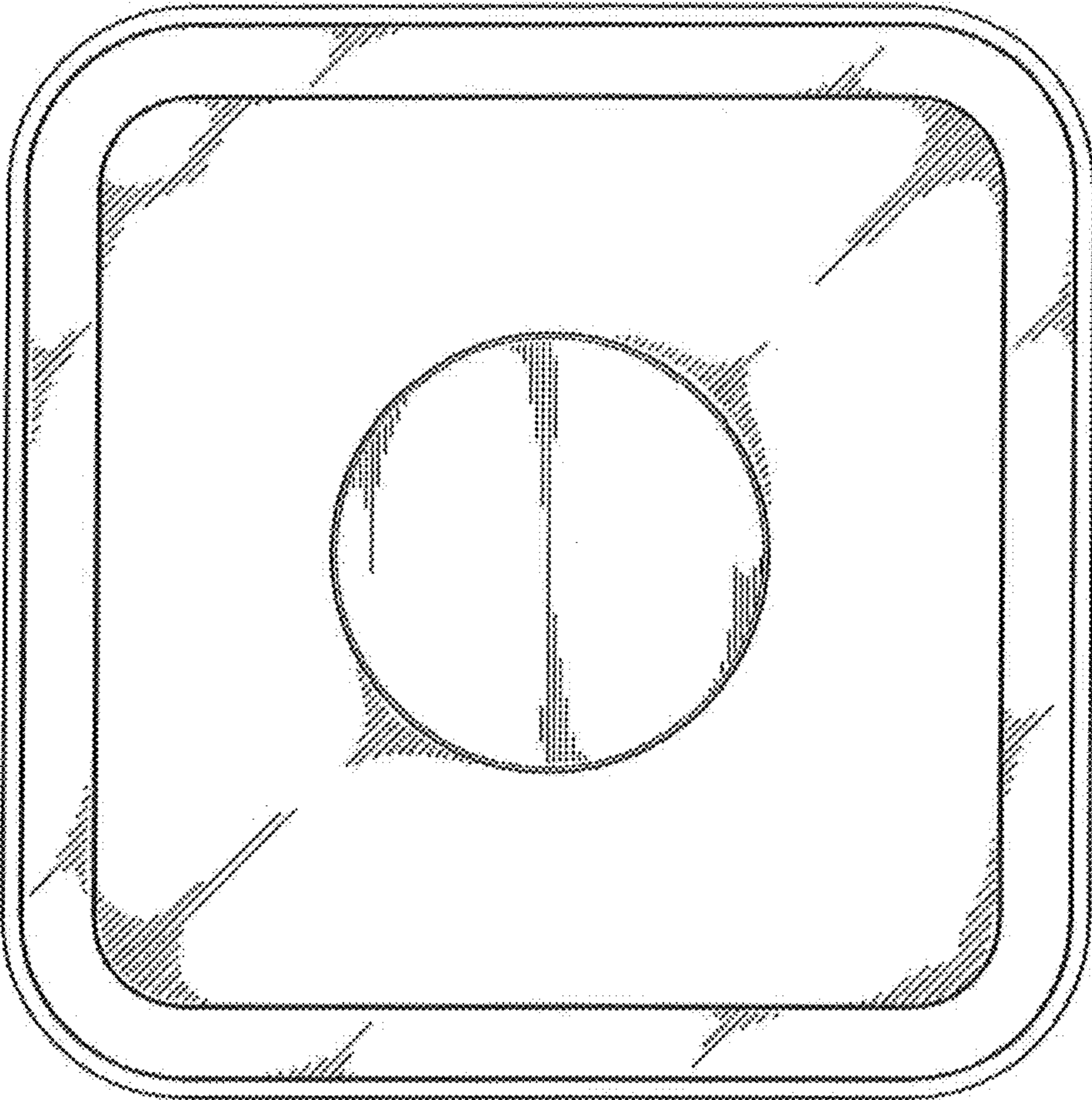


FIG. 7

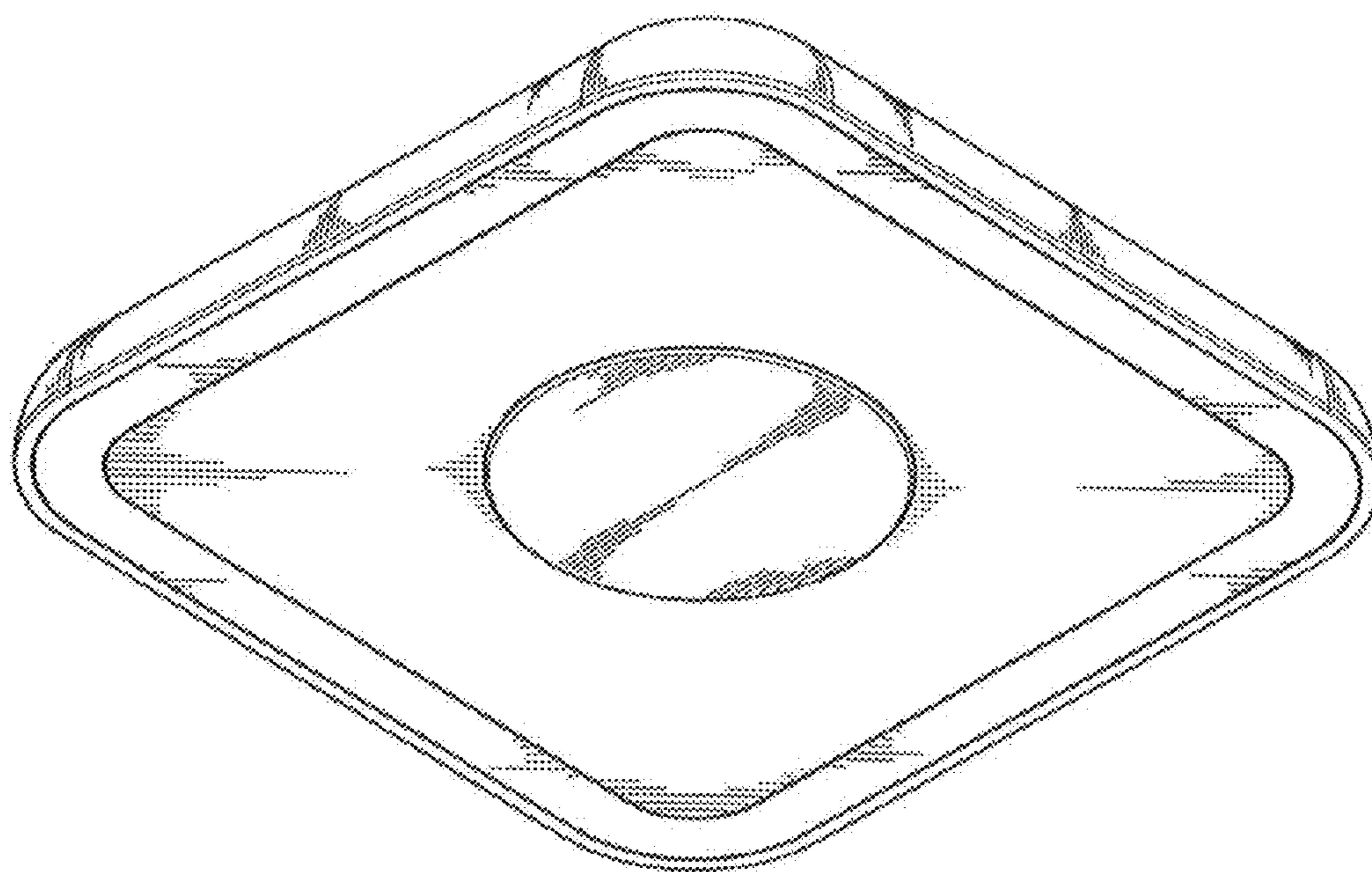


FIG. 8