



US00D754317S

(12) **United States Design Patent**
Yasuoka et al.

(10) **Patent No.:** **US D754,317 S**
(45) **Date of Patent:** **** Apr. 19, 2016**

(54) **IONIZER**

(71) Applicant: **SMC CORPORATION**, Chiyoda-ku
(JP)

(72) Inventors: **Takashi Yasuoka**, Moriya (JP); **Suguru Konno**, Tsukubamirai (JP); **Masayuki Orihara**, Kuki (JP)

(73) Assignee: **SMC CORPORATION**, Chiyoda-ku
(JP)

(**) Term: **14 Years**

(21) Appl. No.: **29/519,879**

(22) Filed: **Mar. 9, 2015**

(30) **Foreign Application Priority Data**

Sep. 9, 2014 (JP) 2014-019977

(51) **LOC (10) Cl.** **28-99**

(52) **U.S. Cl.**
USPC **D23/366**

(58) **Field of Classification Search**

USPC D23/355-369, 208; D28/5, 6;
261/DIG. 17, DIG. 42, DIG. 65, DIG. 88,
261/DIG. 89; 392/386, 390, 394, 395, 392;
239/34, 44, 53, 55, 56, 326; D7/300,
D7/300.1, 584
CPC A61L 9/00; A61L 9/02; A61L 9/03;
A61L 9/032; A61L 9/035; A61L 9/037;
A61L 9/04; A61L 9/12; A61L 9/22
See application file for complete search history.

(56) **References Cited**

U.S. PATENT DOCUMENTS

D460,542 S * 7/2002 Li D23/328

D508,285 S *	8/2005	Velicescu	D23/366
D594,950 S *	6/2009	Orihara	D23/366
D594,951 S *	6/2009	Orihara	D23/366
D594,959 S *	6/2009	Orihara	D23/366
D594,960 S *	6/2009	Orihara	D23/366
D595,398 S *	6/2009	Orihara	D23/366
D605,278 S *	12/2009	Orihara	D23/366
D605,279 S *	12/2009	Orihara	D23/366
D606,645 S *	12/2009	Orihara	D23/366
D608,880 S *	1/2010	Orihara	D23/366
D609,321 S *	2/2010	Tomasulo	D23/366
D626,206 S *	10/2010	Orihara	D23/366
D652,132 S *	1/2012	Orihara	D23/366
D710,487 S *	8/2014	Lin	D23/355
D733,860 S *	7/2015	Konno	D23/366
D738,479 S *	9/2015	Storey	D23/366

* cited by examiner

Primary Examiner — Sandra Snapp

(74) *Attorney, Agent, or Firm* — Oblon, McClelland, Maier & Neustadt, L.L.P.

(57) **CLAIM**

The ornamental design for an ionizer, as shown and described.

DESCRIPTION

FIG. 1 is a front, bottom, and left side perspective view of an ionizer;
FIG. 2 is a rear, top, and right side perspective view thereof;
FIG. 3 is a front elevational view thereof;
FIG. 4 is a rear elevational view thereof;
FIG. 5 is a top plan view thereof;
FIG. 6 is a bottom plan view thereof;
FIG. 7 is a left side elevational view thereof; and,
FIG. 8 is a right side elevational view thereof.
The broken lines in the drawings depict environmental subject matter only and form no part of the claimed design.

1 Claim, 3 Drawing Sheets

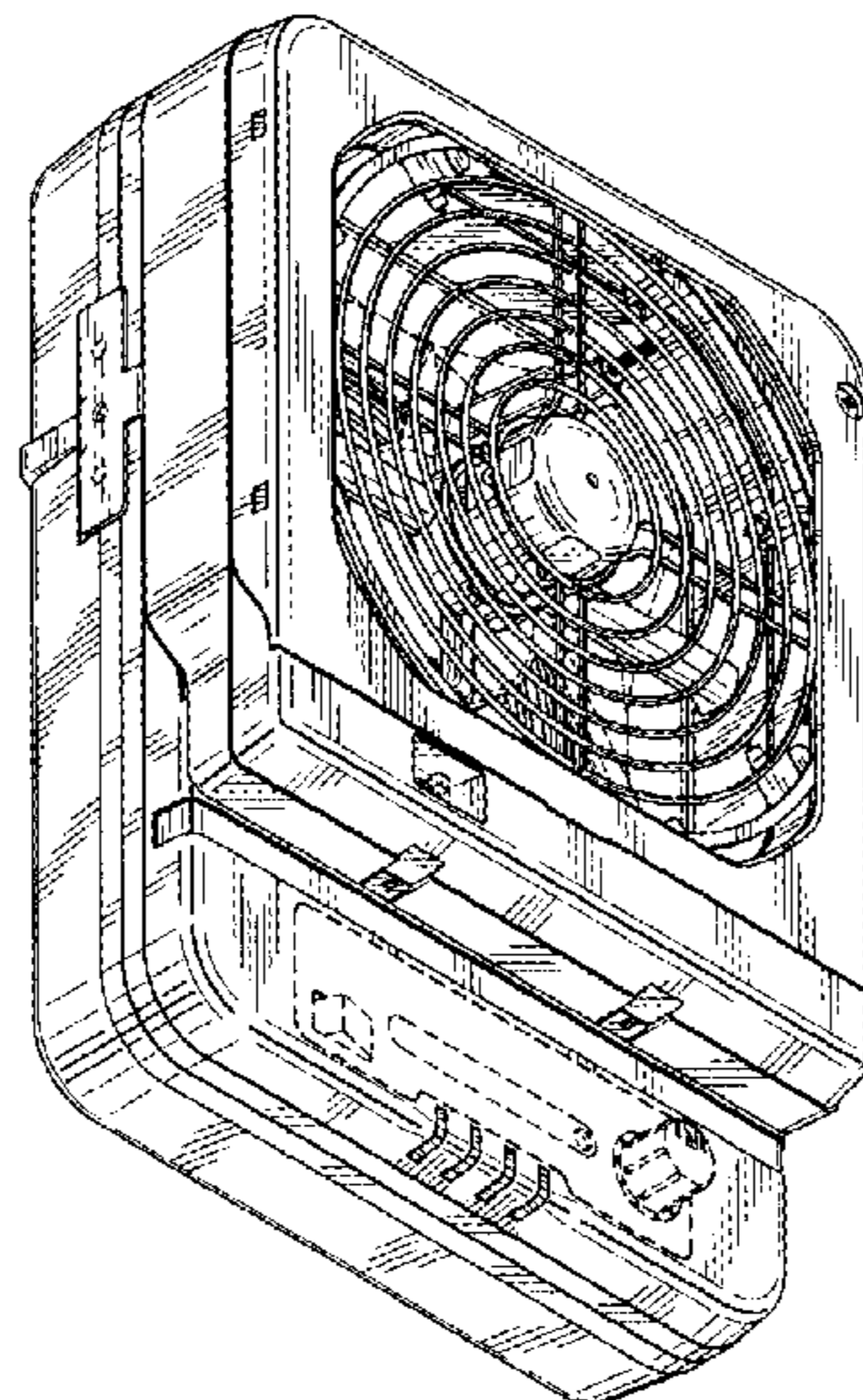


Fig. 1

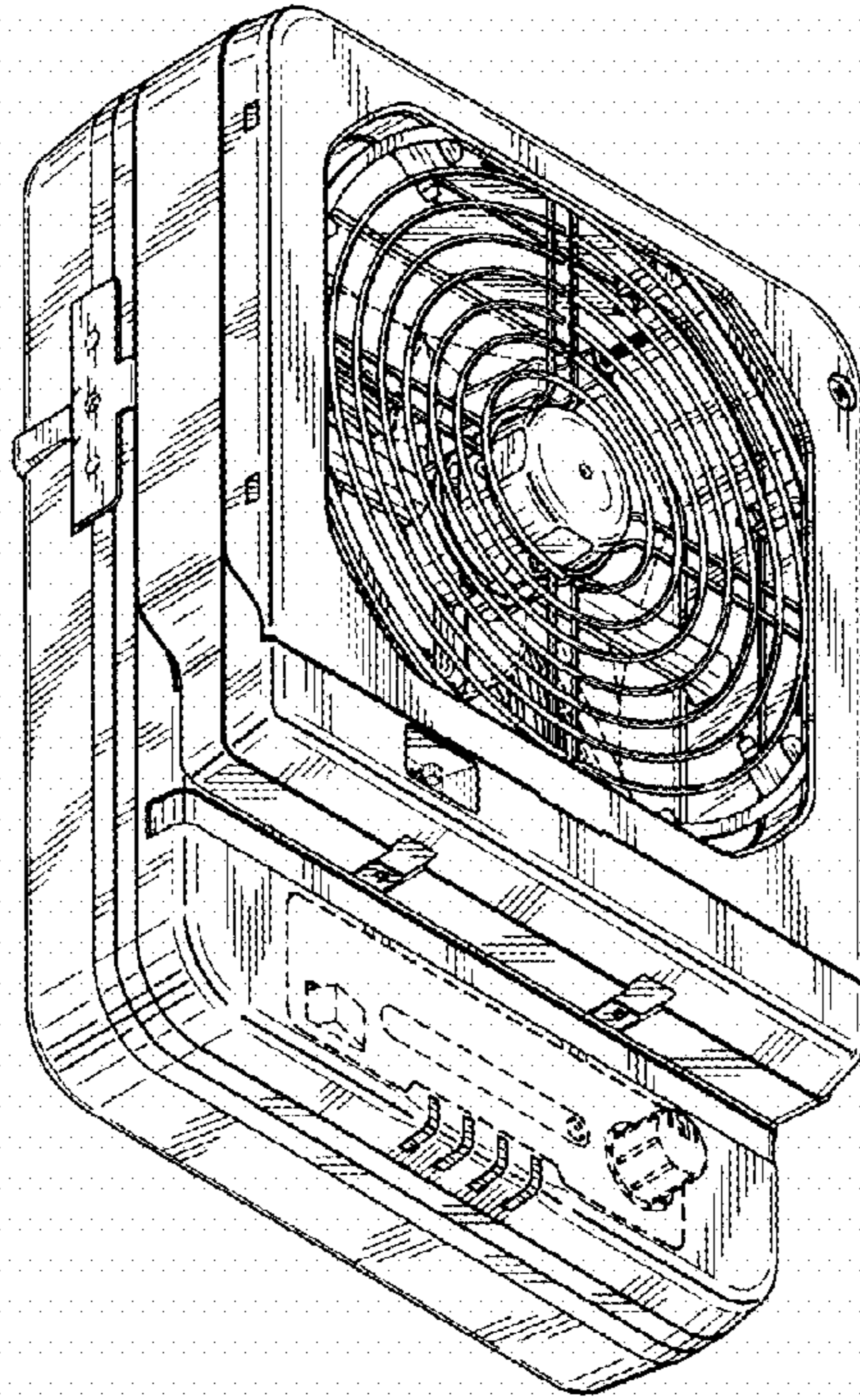


Fig. 2

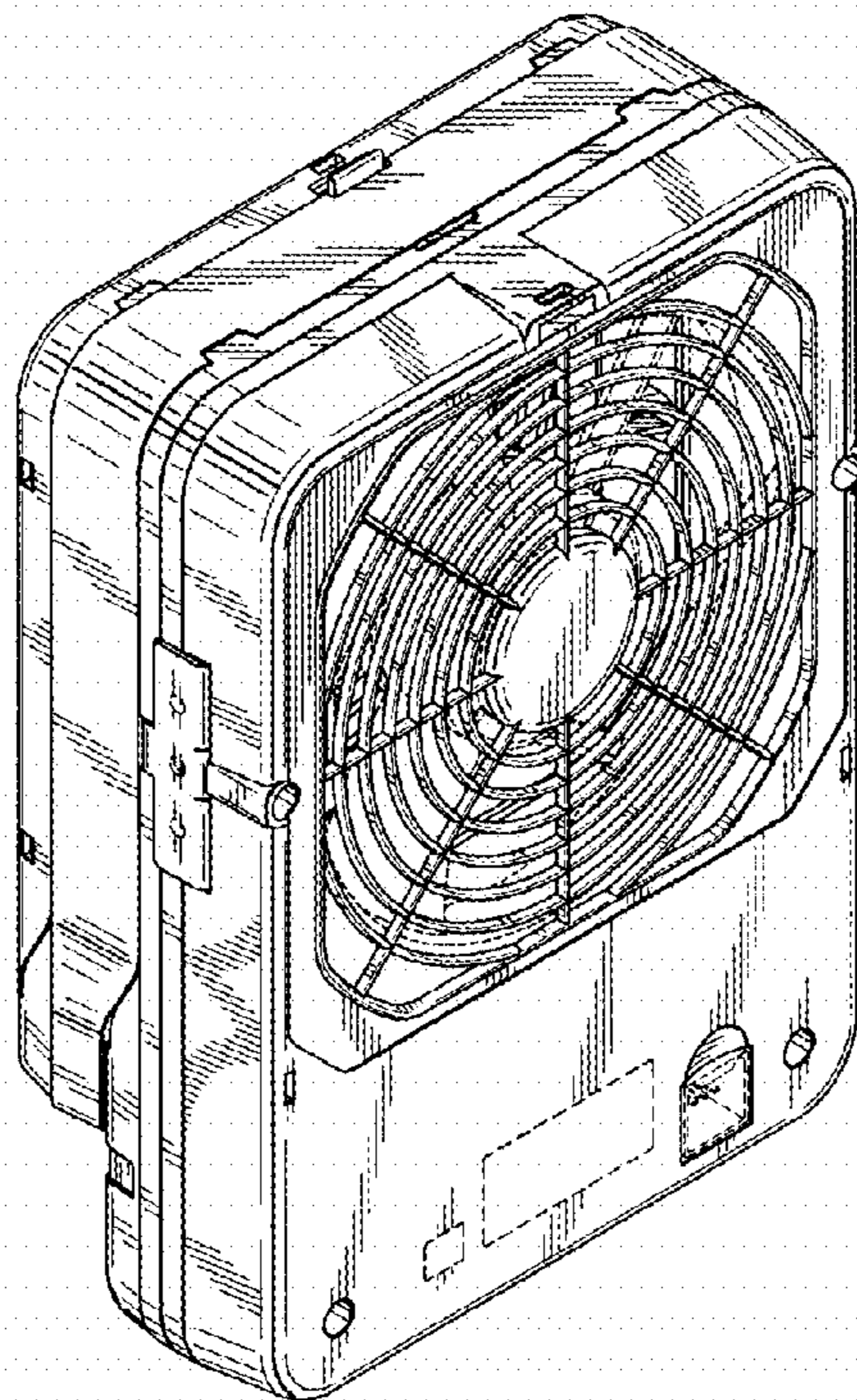


Fig. 3

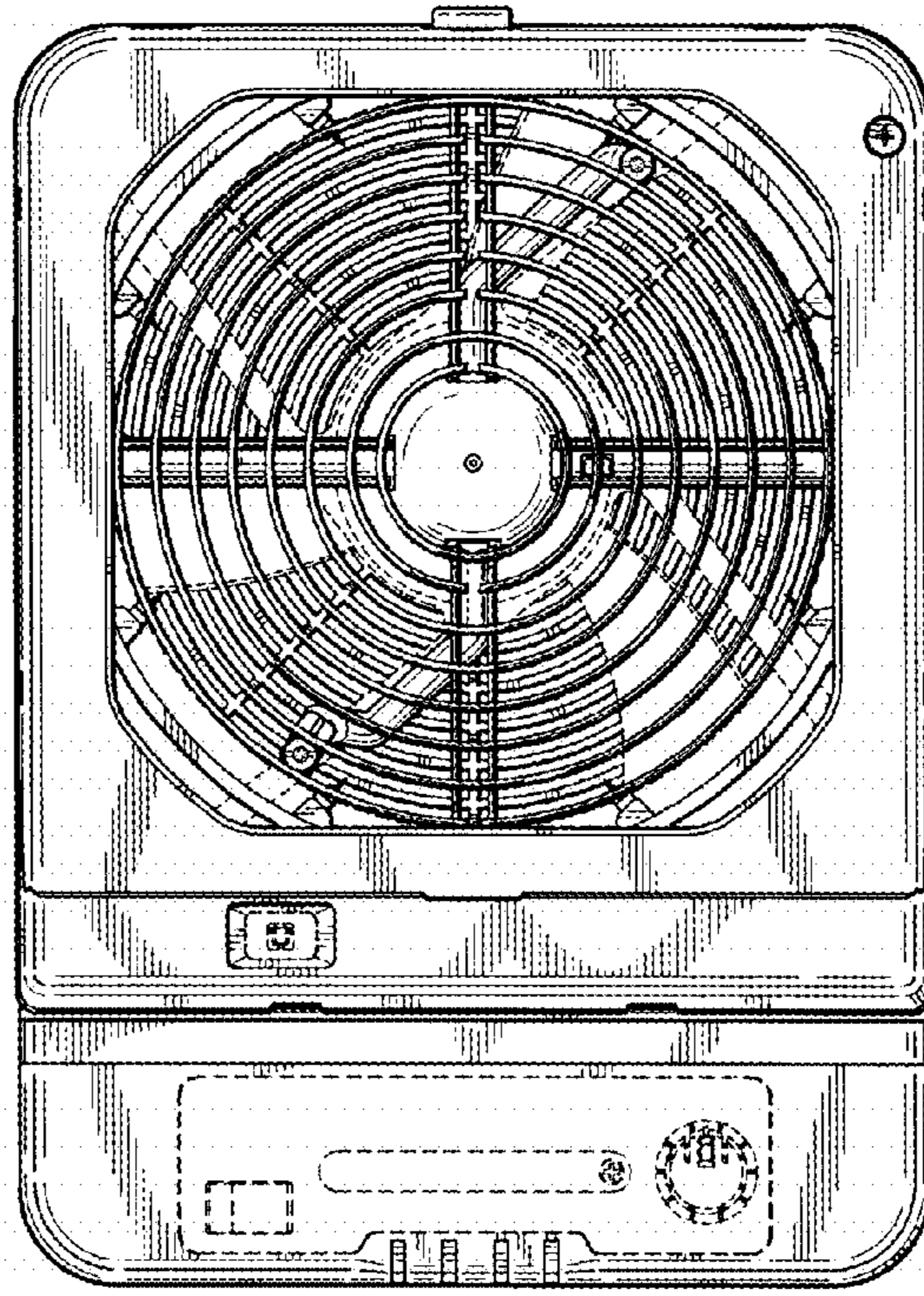


Fig. 4

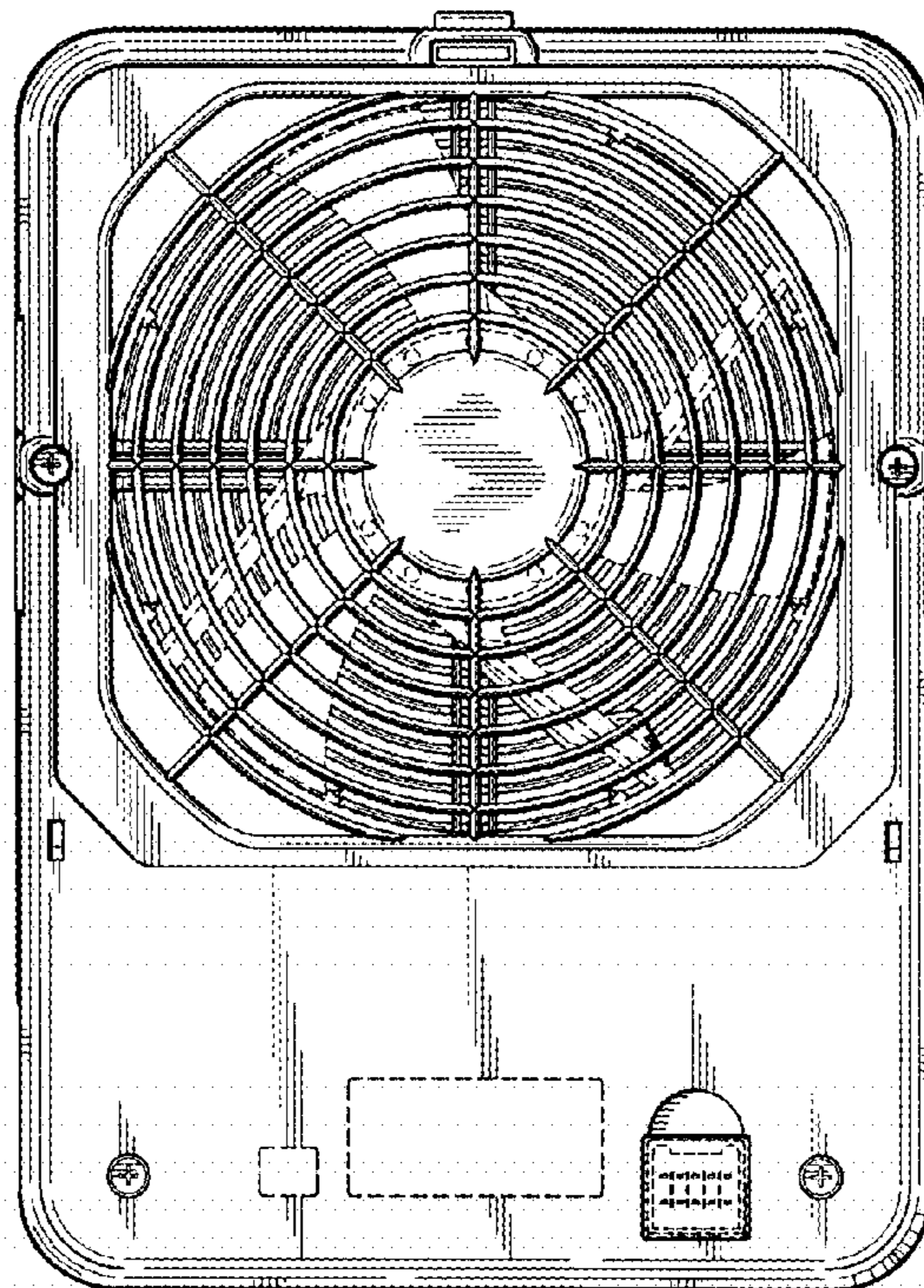


Fig. 5

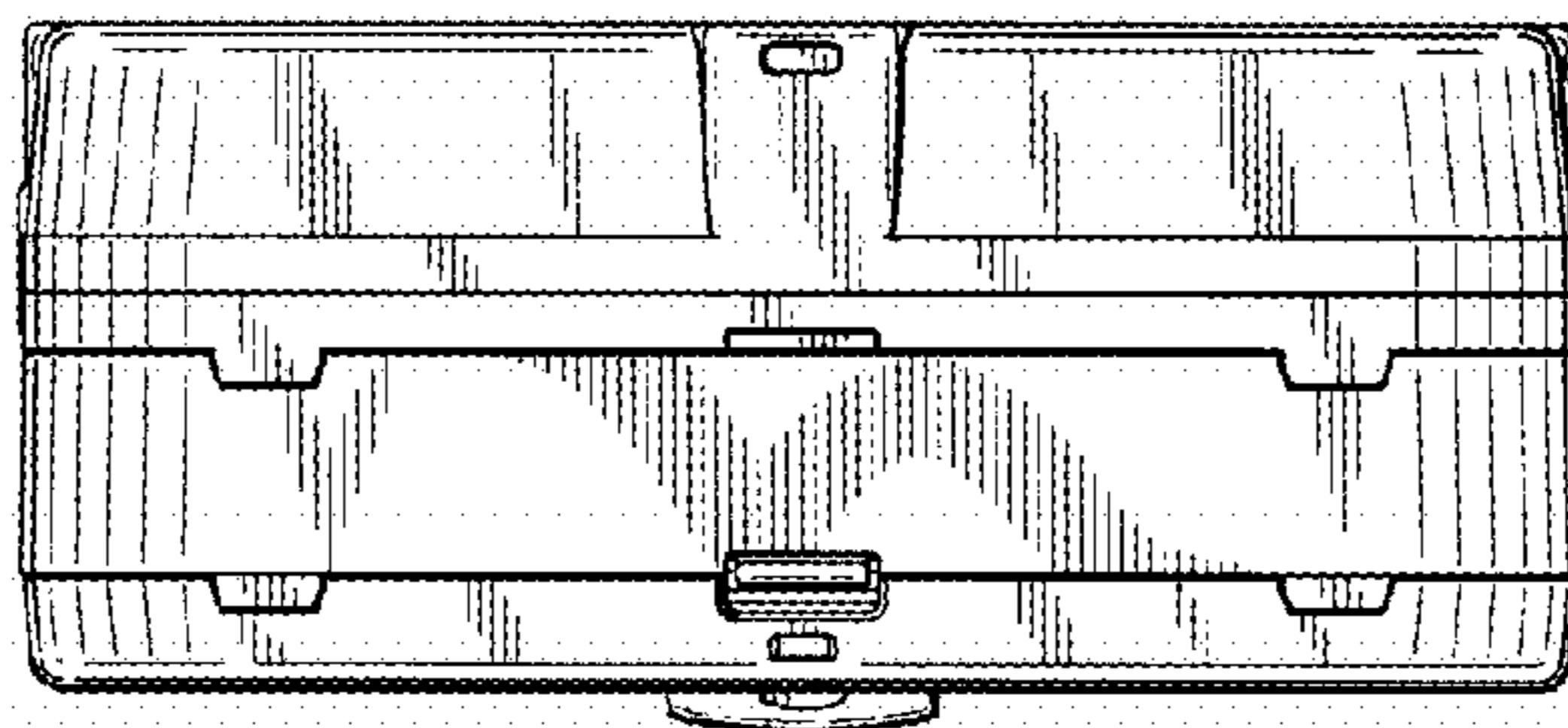


Fig. 6

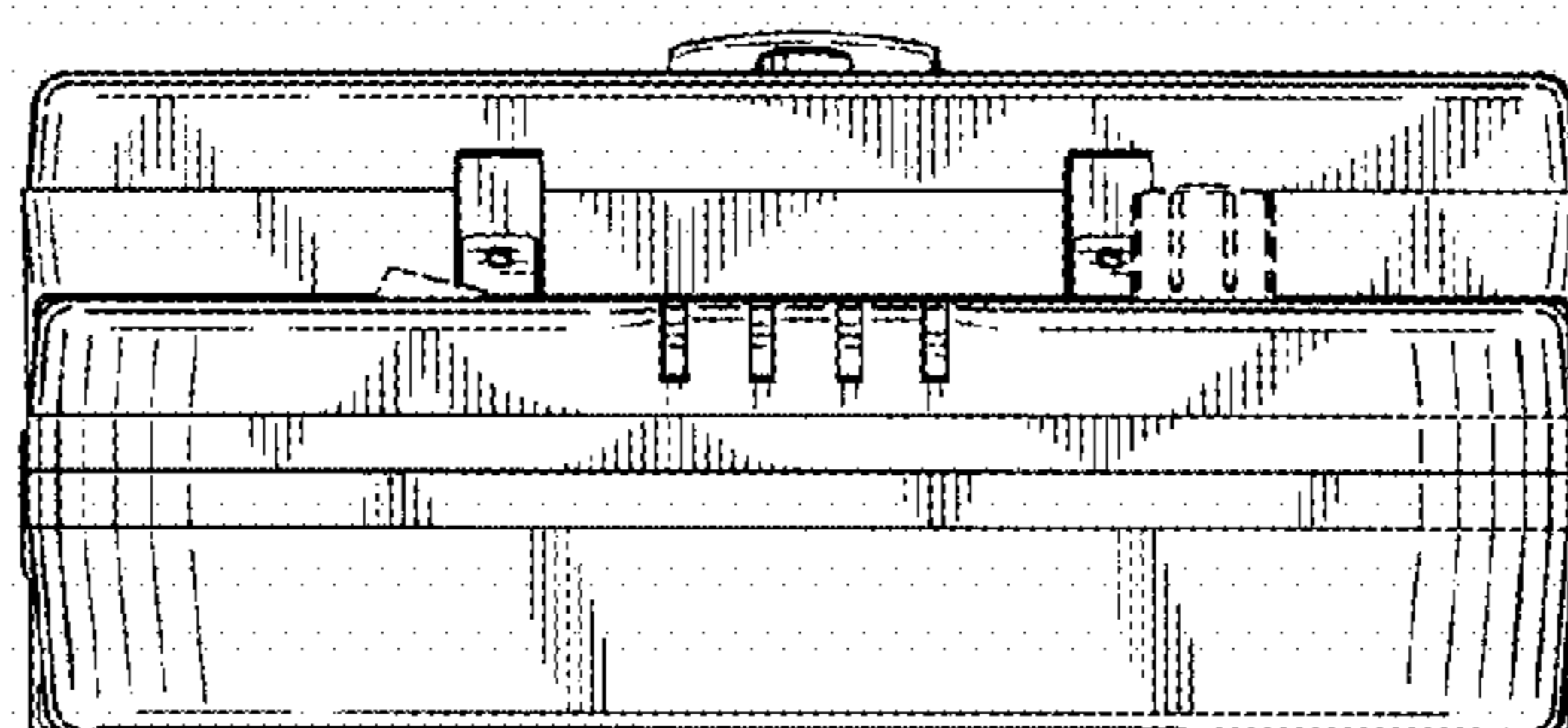


Fig. 7

Fig. 8

