



US00D754314S

(12) **United States Design Patent**
Ellis et al.

(10) **Patent No.:** **US D754,314 S**

(45) **Date of Patent:** **** Apr. 19, 2016**

(54) **APPARATUS FOR PRODUCING ADVANCED OXIDATION PRODUCTS**

(71) Applicant: **RGF ENVIRONMENTAL GROUP, INC.**, Riviera Beach, FL (US)

(72) Inventors: **Walter B. Ellis**, Jupiter, FL (US);
Ronald G. Fink, Jupiter, FL (US)

(73) Assignee: **RGF ENVIRONMENTAL GROUP, INC.**, Riviera Beach, FL (US)

(**) Term: **14 Years**

(21) Appl. No.: **29/509,124**

(22) Filed: **Nov. 14, 2014**

(51) **LOC (10) Cl.** **23-04**

(52) **U.S. Cl.**
USPC **D23/364**

(58) **Field of Classification Search**
USPC D23/356, 359, 360, 364, 366, 368, 386,
D23/332; D15/79; 55/473, 504; 422/120,
422/122; 96/97

CPC A61L 9/16; A61L 9/22; B01D 47/00;
B01D 47/027; B01D 2221/02; B01D
2259/4508; B03C 1/155; F24F 3/16; F24F
13/20; F24F 13/28; F24F 2001/0096; F24F
3/1405; F24F 3/1603; F24F 13/222

See application file for complete search history.

(56) **References Cited**

U.S. PATENT DOCUMENTS

D450,376 S	*	11/2001	Gieseke	D23/364
D464,415 S	*	10/2002	Saunders	D23/364
D481,784 S	*	11/2003	Hallgrimsson	D23/355
D529,514 S	*	10/2006	Maeda	D15/5
D540,453 S	*	4/2007	Wang	D23/356

* cited by examiner

Primary Examiner — Ralf Seifert

(74) *Attorney, Agent, or Firm* — Rothwell, Figg, Ernst & Manbeck, P.C.

(57) **CLAIM**

The ornamental design for an apparatus for producing advanced oxidation products, as shown and described.

DESCRIPTION

FIG. 1 shows a perspective view of the apparatus for producing advanced oxidation products;

FIG. 2 shows a front elevation view thereof;

FIG. 3 shows a left side elevation view thereof;

FIG. 4 shows a right side elevation view thereof;

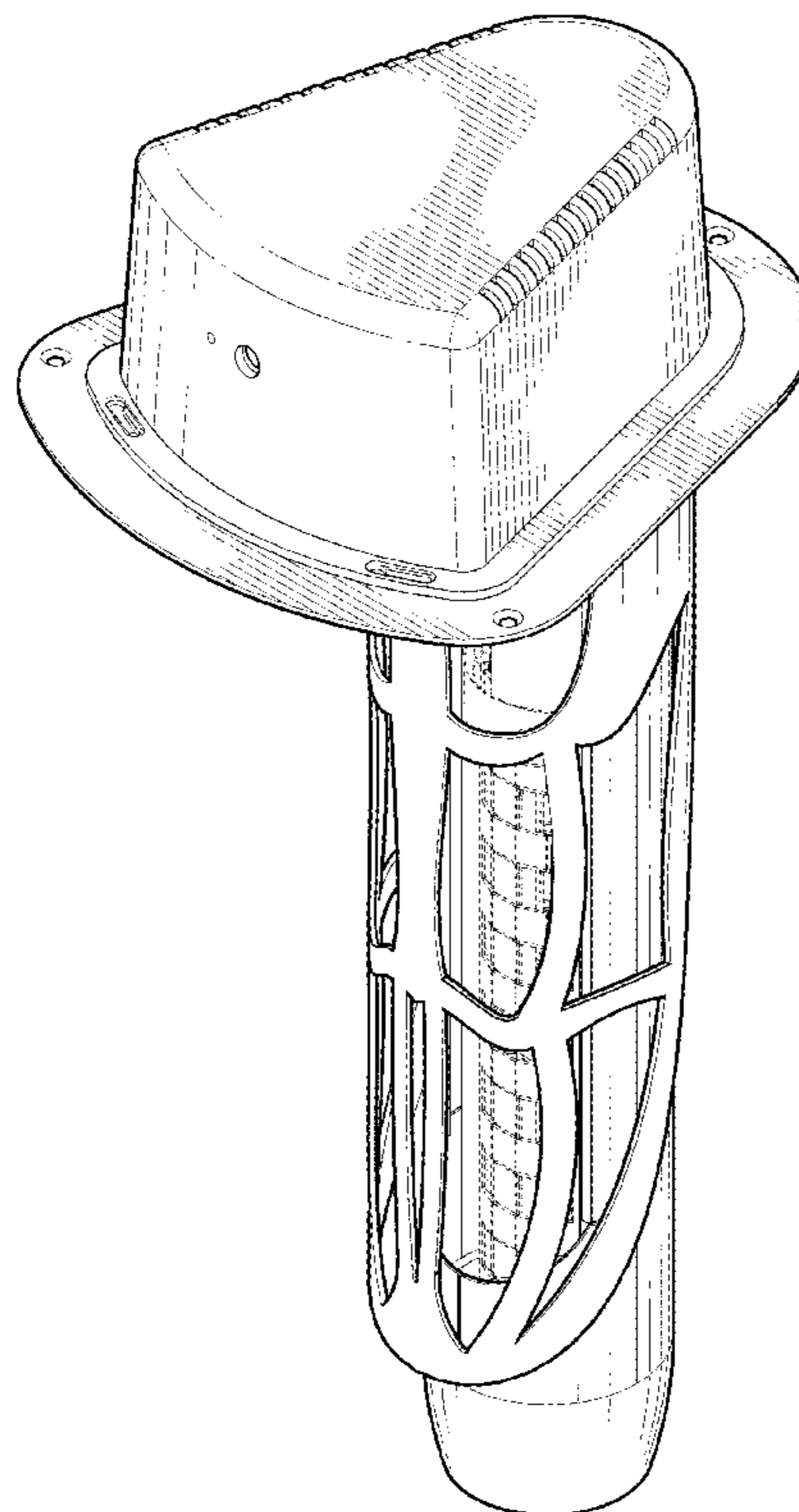
FIG. 5 shows a rear elevation view thereof;

FIG. 6 shows a top plan view thereof; and,

FIG. 7 shows a bottom plan view thereof.

The broken lines of FIG. 1 to FIG. 7 illustrate portions of the apparatus for producing advanced oxidation products that form no part of the claimed design.

1 Claim, 6 Drawing Sheets



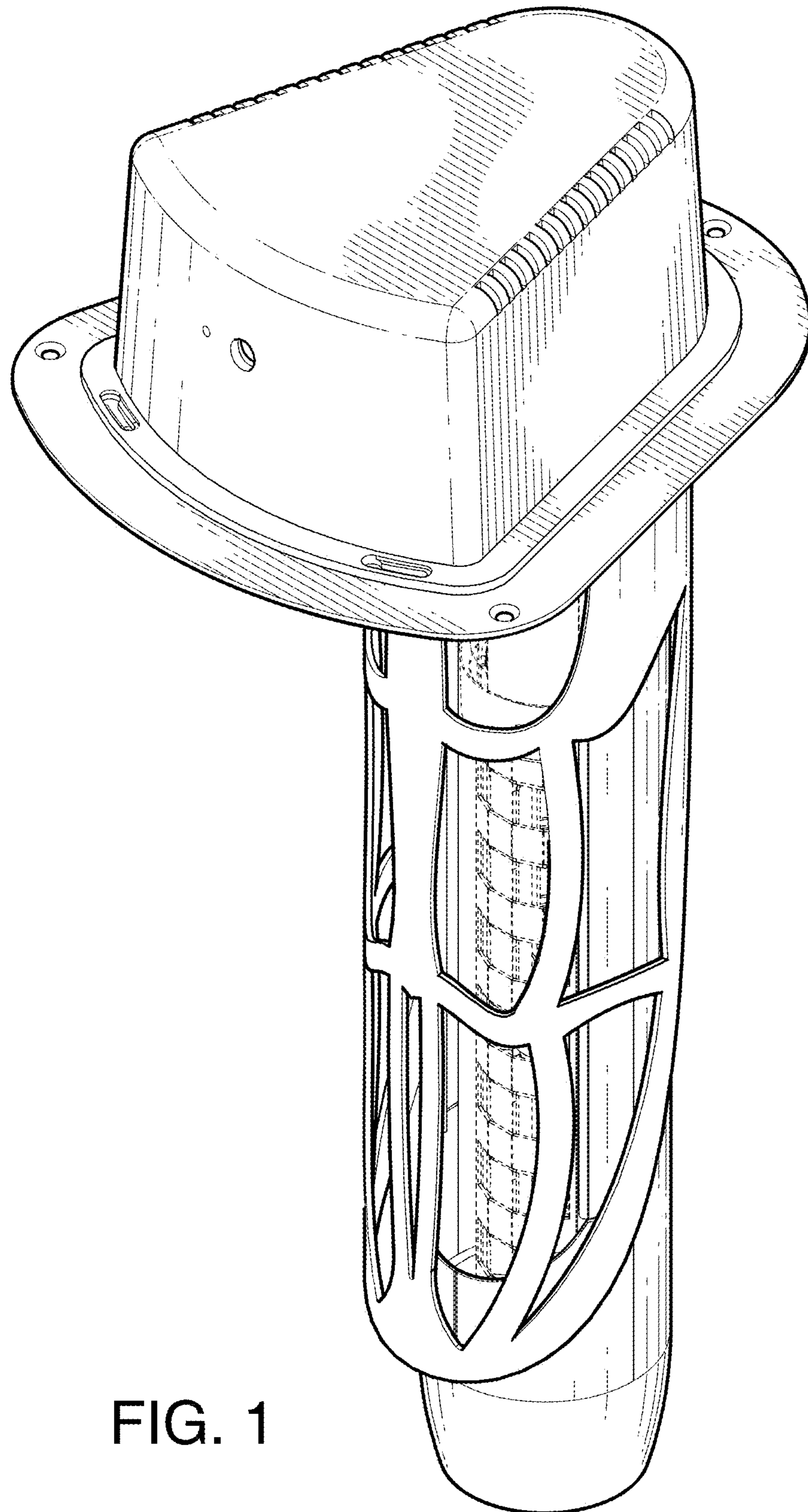


FIG. 1

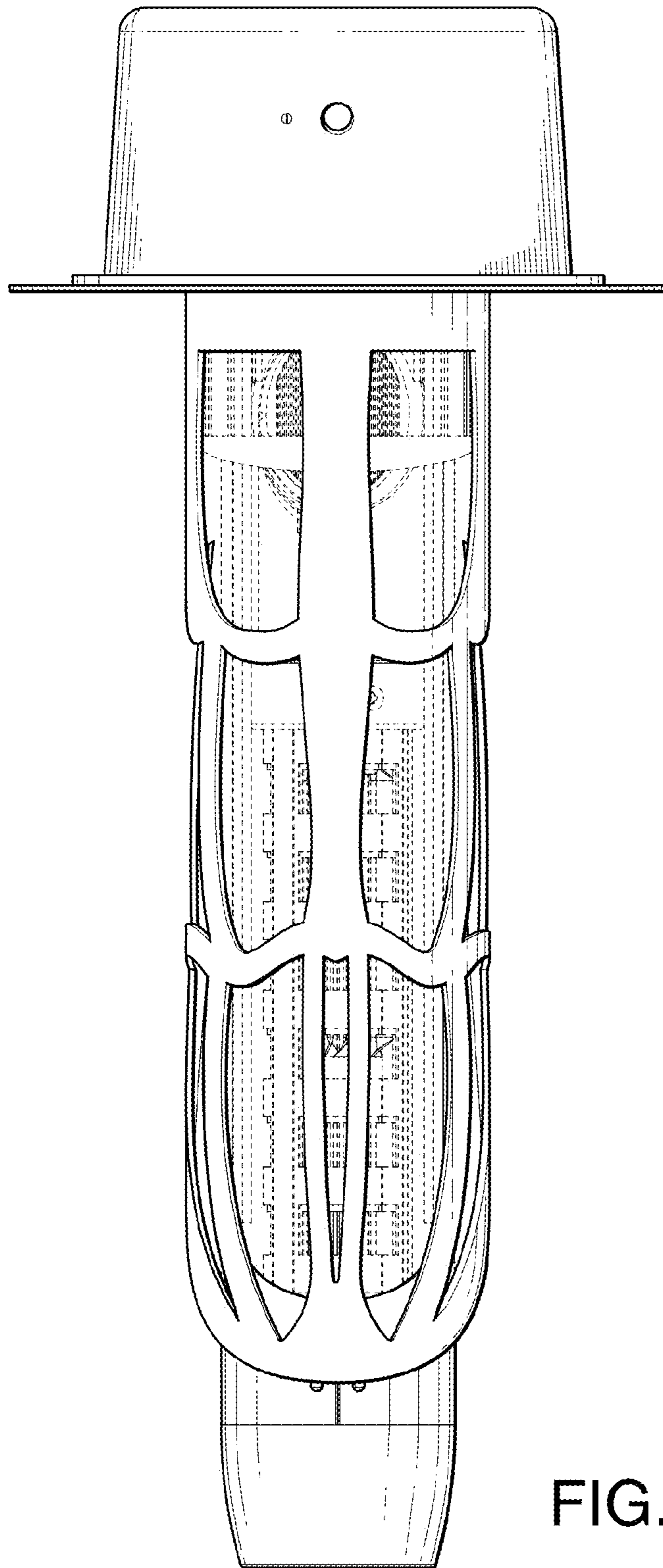


FIG. 2

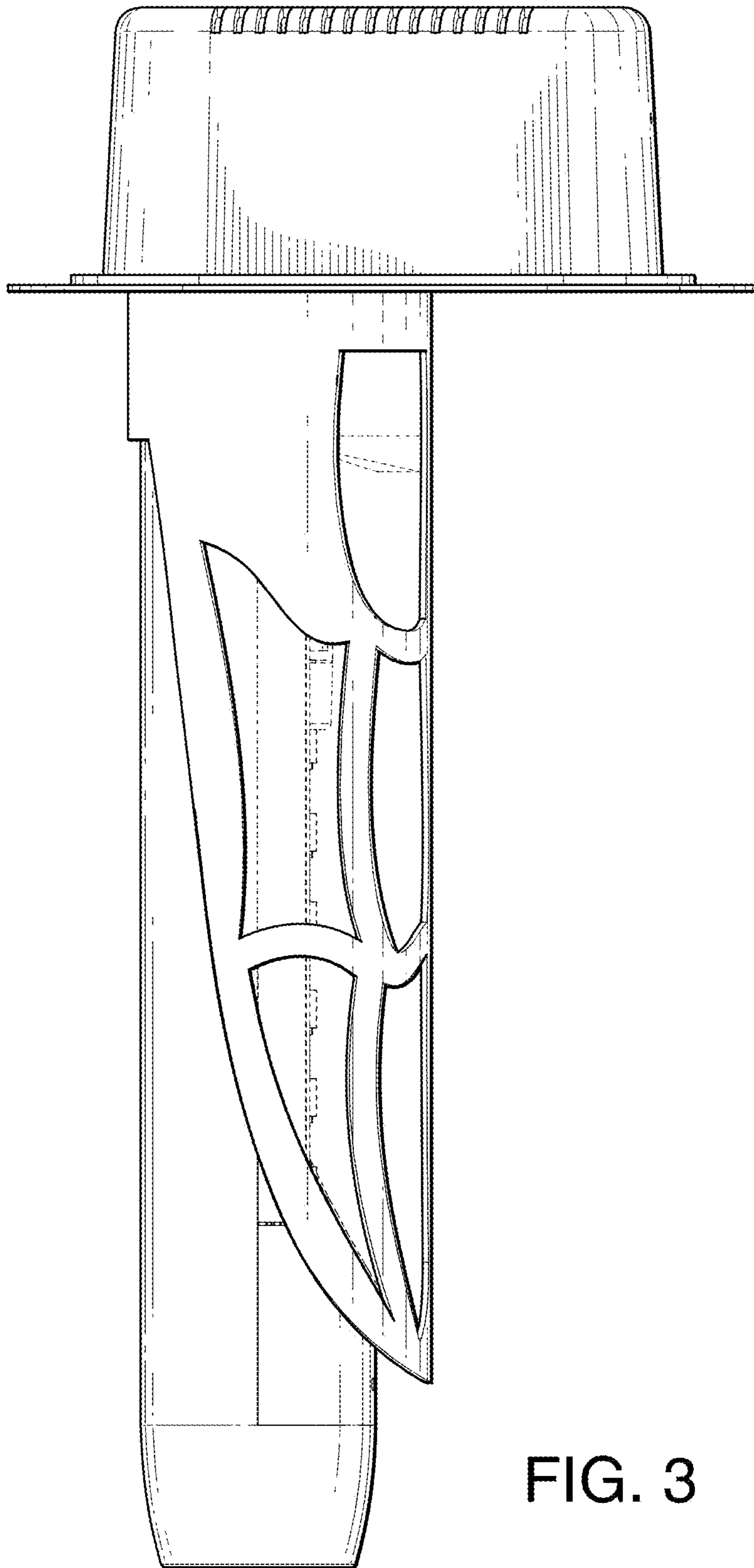


FIG. 3

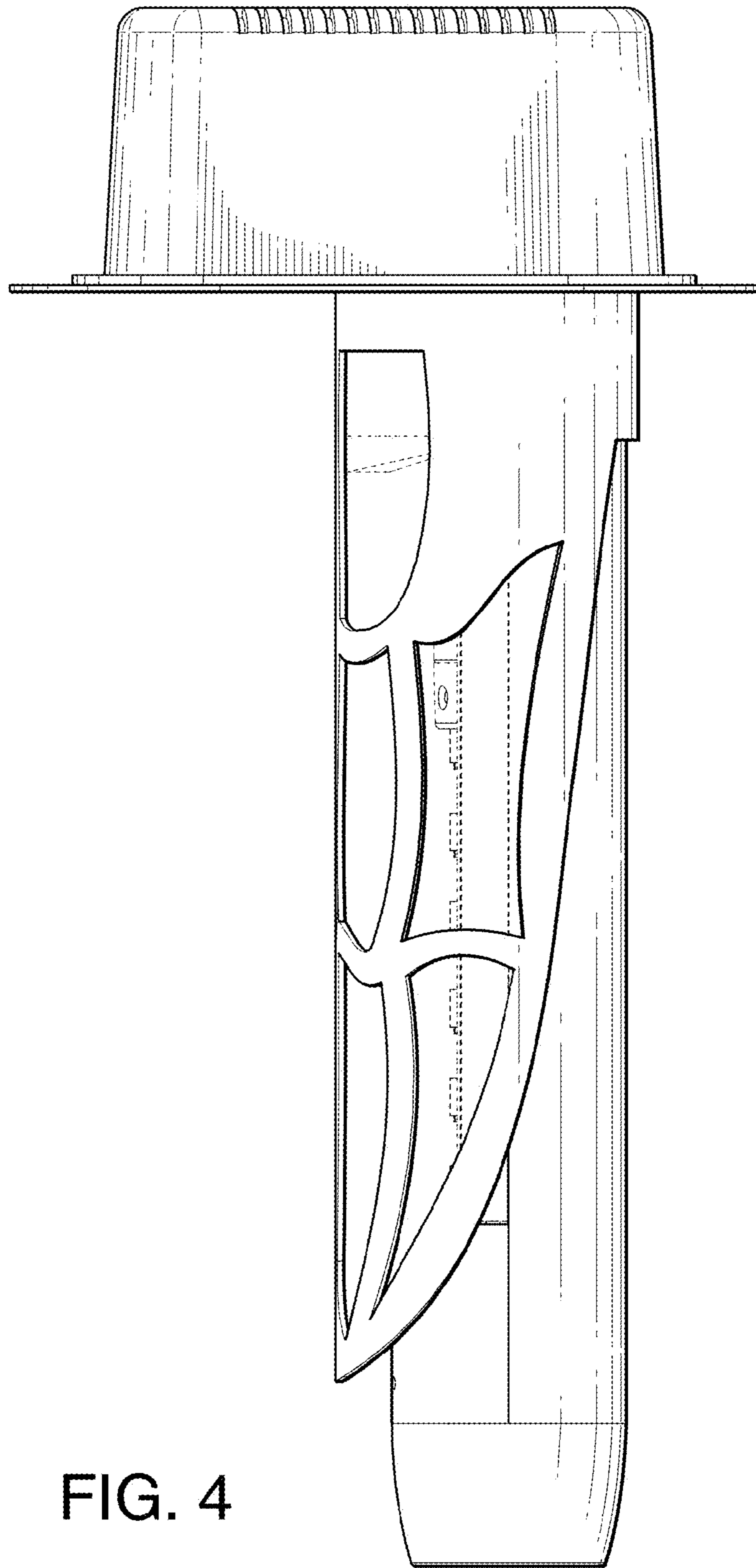


FIG. 4

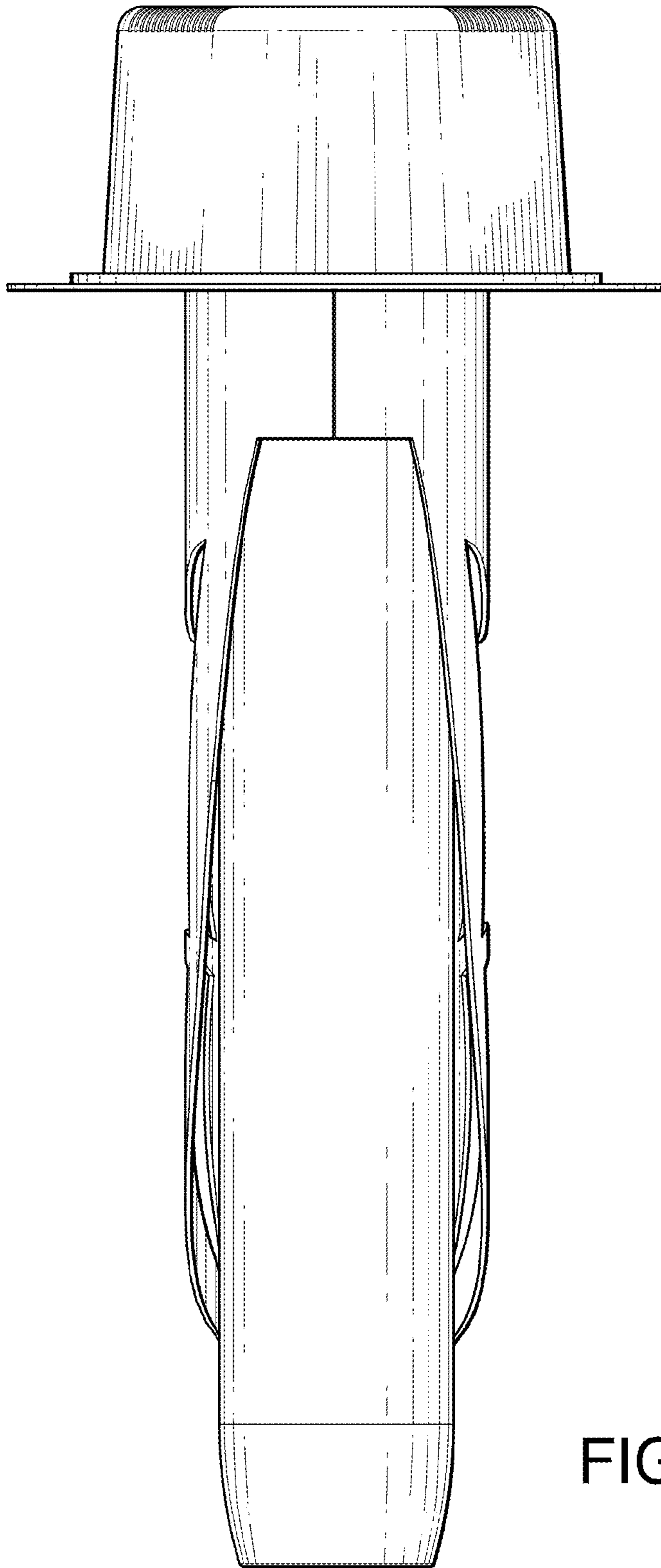


FIG. 5

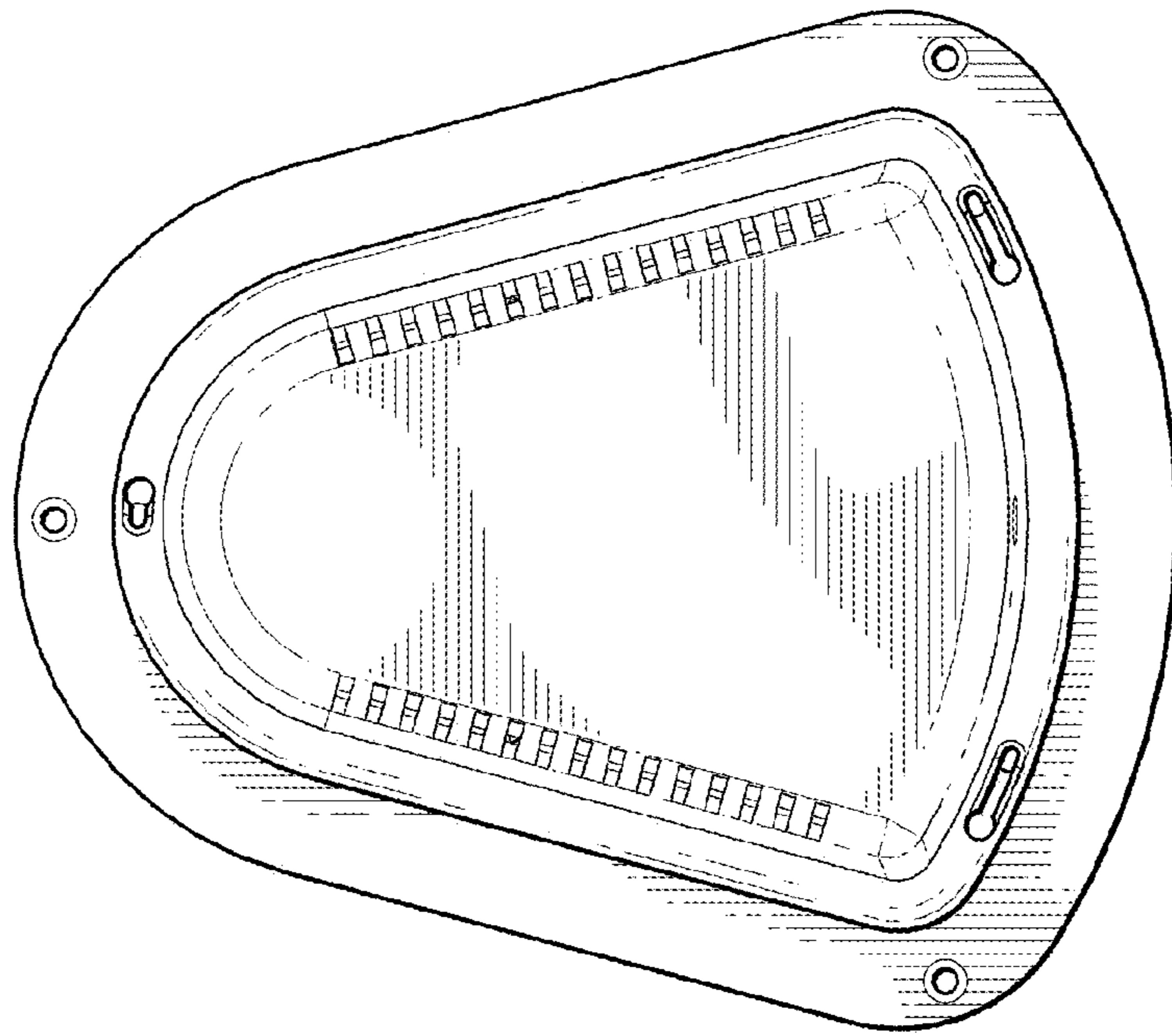


FIG. 6

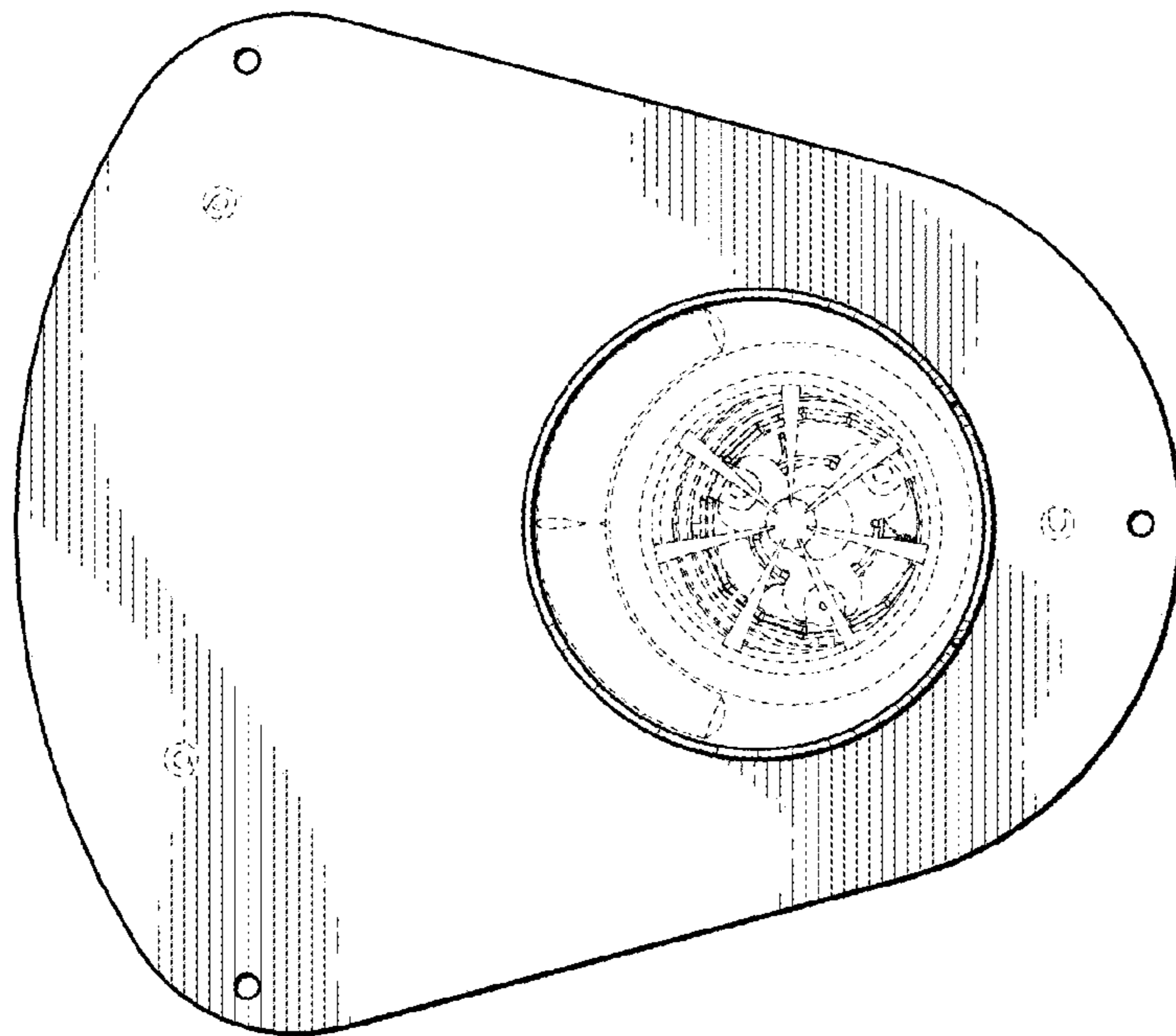


FIG. 7