



US00D754308S

(12) **United States Design Patent**
Nakagawa

(10) **Patent No.:** **US D754,308 S**
(45) **Date of Patent:** **** Apr. 19, 2016**

(54) **COMPOSITE SEALING MATERIAL**

(71) Applicant: **NIPPON VALQUA INDUSTRIES, LTD.**, Tokyo (JP)

(72) Inventor: **Ippei Nakagawa**, Gojo (JP)

(73) Assignee: **NIPPON VALQUA INDUSTRIES, LTD.**, Tokyo (JP)

(**) Term: **14 Years**

(21) Appl. No.: **29/444,633**

(22) Filed: **Feb. 1, 2013**

(30) **Foreign Application Priority Data**

Aug. 7, 2012 (JP) 2012-018886

(51) **LOC (10) Cl.** **23-01**

(52) **U.S. Cl.**
USPC **D23/269**

(58) **Field of Classification Search**
USPC D23/249, 259, 260, 262, 266, 269;
285/15, 95, 133.21, 232, 351; 277/351,
277/352, 353, 354, 372, 504, 626
See application file for complete search history.

(56) **References Cited**

U.S. PATENT DOCUMENTS

1,440,349	A *	12/1922	Foltz	215/355
3,276,792	A *	10/1966	Dunton	285/109
3,575,431	A *	4/1971	Bryant	277/641
4,834,398	A *	5/1989	Guzowski et al.	277/624
5,482,297	A *	1/1996	Burns et al.	277/644
5,735,529	A *	4/1998	Lawrence	277/596
6,161,841	A *	12/2000	Shaw	277/642
6,237,966	B1 *	5/2001	Kearns	285/230
7,306,237	B2 *	12/2007	Tsuji et al.	277/644
D631,948	S *	2/2011	Yoshida et al.	D23/269
D633,991	S *	3/2011	Nakagawa	D23/269
D638,522	S *	5/2011	Yoshida et al.	D23/269
D638,523	S *	5/2011	Yoshida et al.	D23/269
D649,986	S *	12/2011	Fujikata et al.	D15/138
D655,401	S *	3/2012	Muramatsu	D23/269
D659,175	S *	5/2012	Fujikata et al.	D15/138
2005/0098957	A1 *	5/2005	Goss et al.	277/355
2006/0192349	A1 *	8/2006	Knapp	277/608
2008/0303224	A1 *	12/2008	Knapp	277/627

FOREIGN PATENT DOCUMENTS

TW	D143035	10/2011
TW	D143035	1/2012
TW	D150427	11/2012

OTHER PUBLICATIONS

Office Action dated Oct. 23, 2013, from the ROC (Taiwan) Patent Office in corresponding TW Application No. 102300975, and English translation thereof.

* cited by examiner

Primary Examiner — Karen E Kearney

Assistant Examiner — Daniel J Domino

(74) *Attorney, Agent, or Firm* — Dickinson Wright PLLC

(57) **CLAIM**

The ornamental design for a composite sealing material, as shown and described.

DESCRIPTION

FIG. 1 is a front view of a composite sealing material showing my new design;
FIG. 2 is a top plan view thereof;
FIG. 3 is a bottom plan view thereof;
FIG. 4 is a right side view thereof;
FIG. 5 is a cross-sectional view taken along line 5-5 of FIG. 2;
FIG. 6 is an enlarged cross-sectional view taken along line 6-6 of FIG. 5;
FIG. 7 is a view thereof showing the state of the article in use; and,
FIG. 8 is a view thereof showing an alternate state of the article in use.
The broken lines shown in the figures are for the purpose of illustrating environment only and form no part of the claimed design.

1 Claim, 4 Drawing Sheets

FIG.1



FIG.2

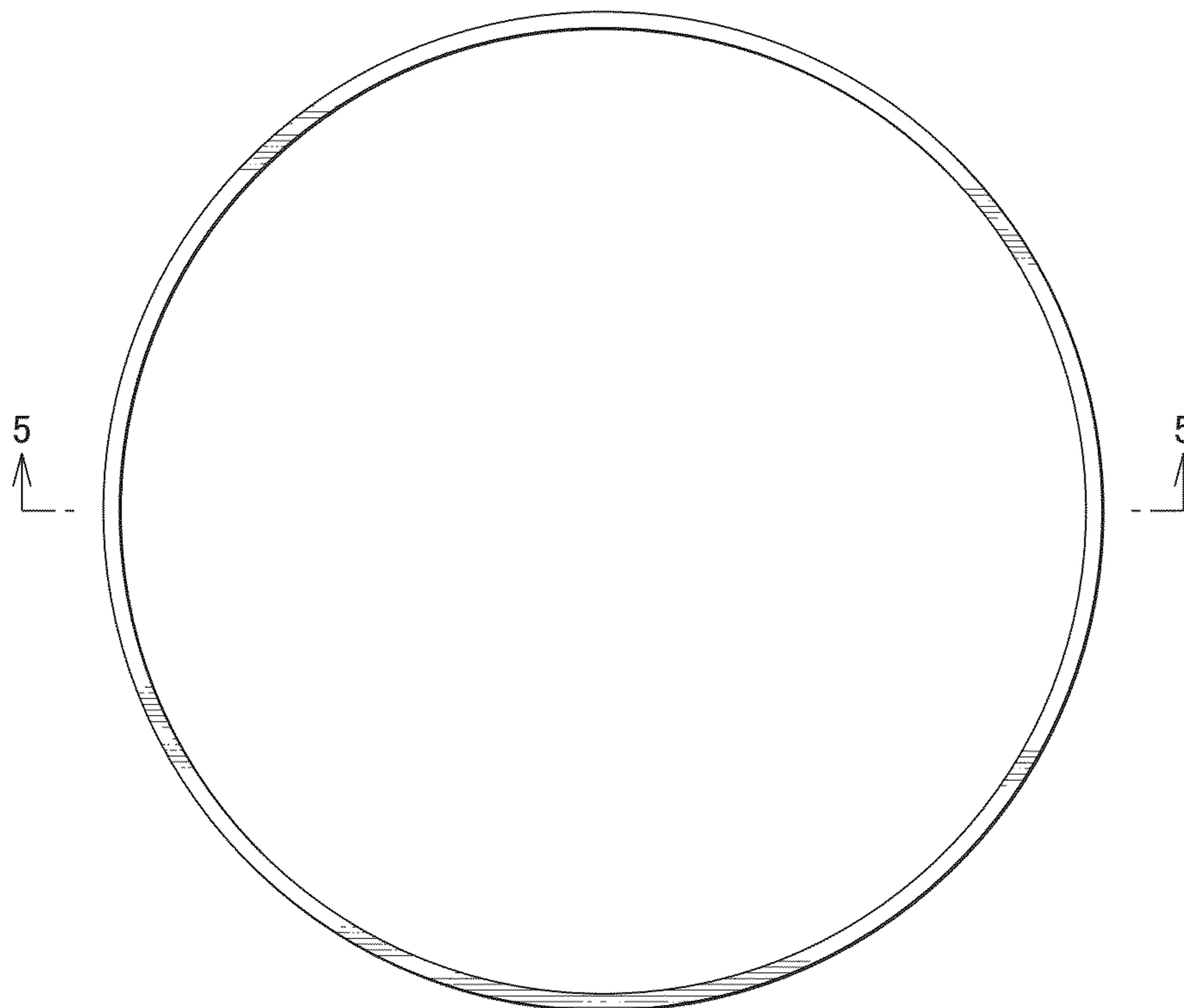


FIG.3

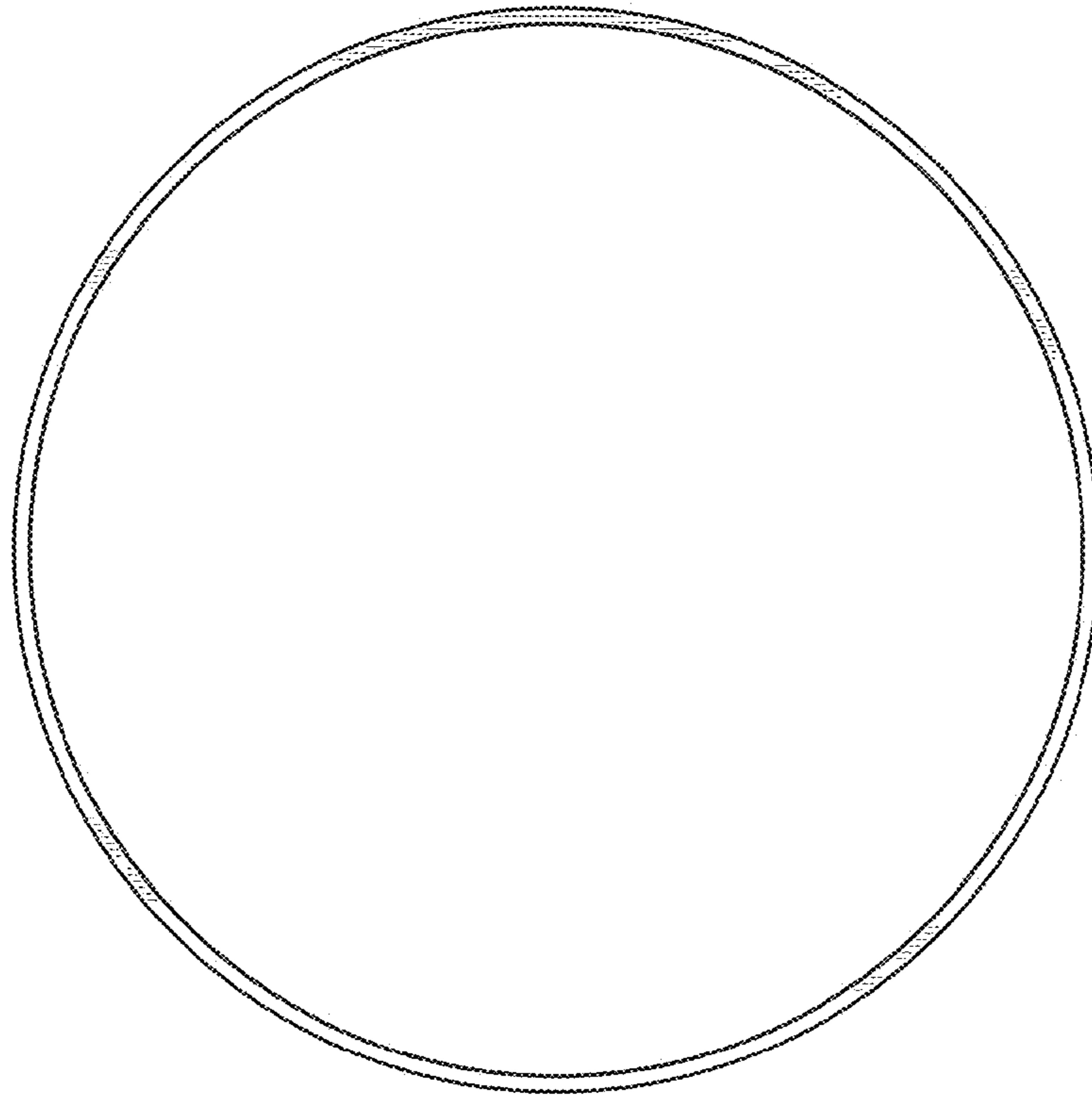


FIG.4



FIG.5

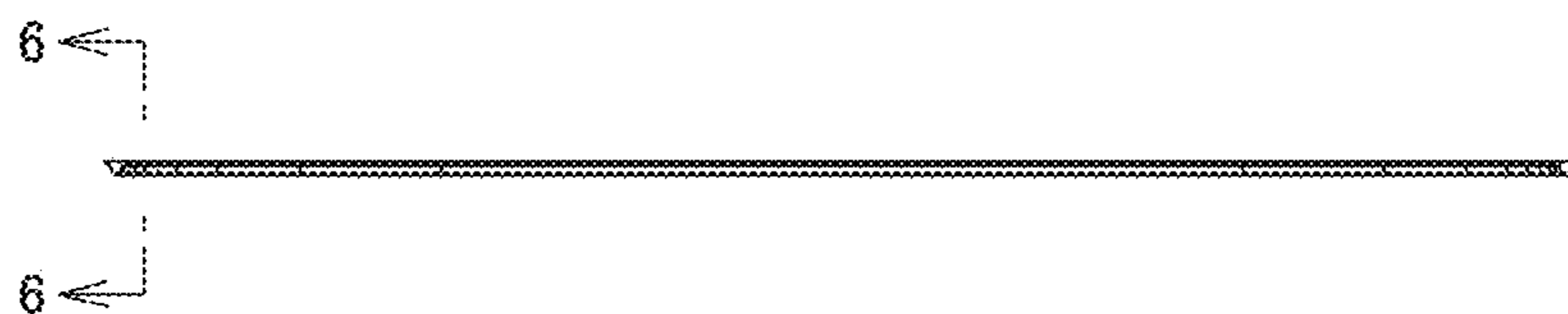


FIG.6

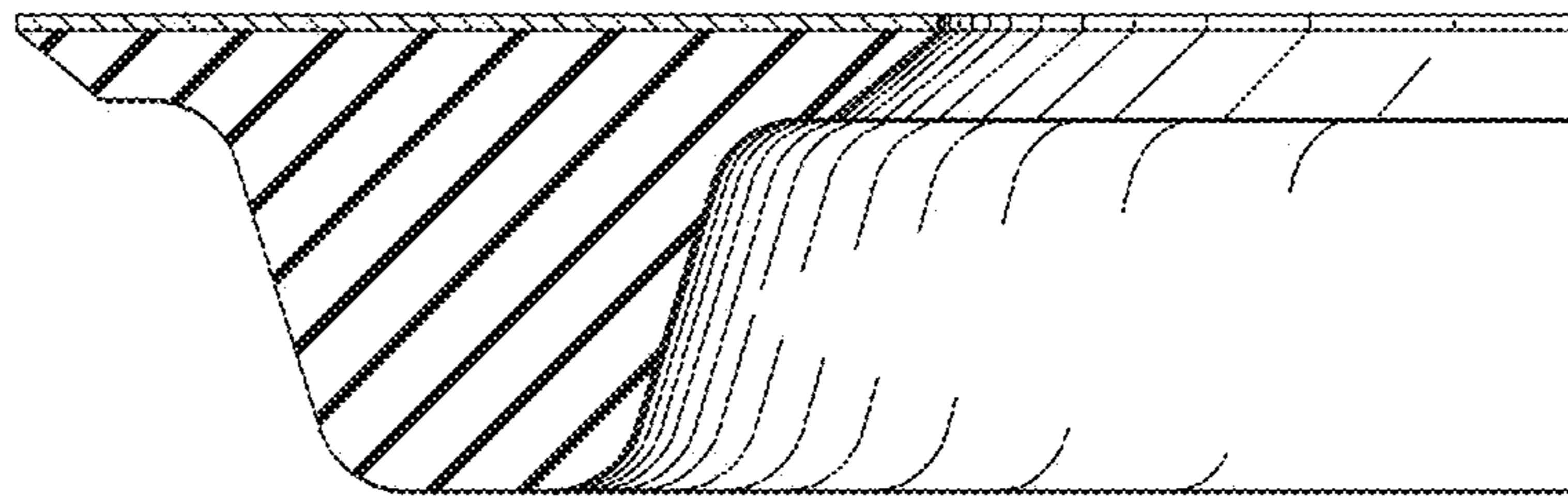


FIG.7

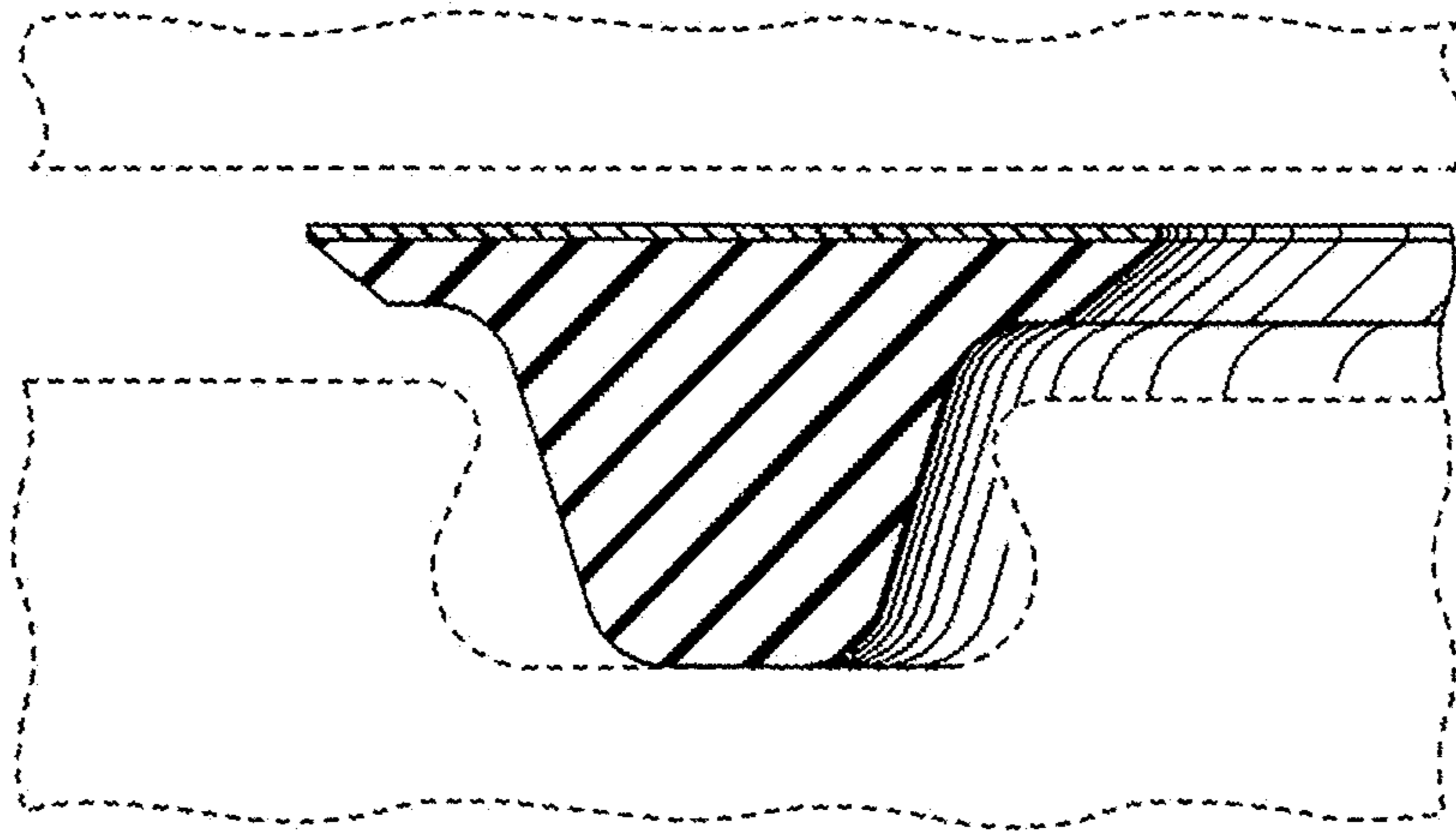


FIG.8

