



US00D754305S

(12) **United States Design Patent**
Papadatos

(10) **Patent No.:** **US D754,305 S**
(45) **Date of Patent:** **** Apr. 19, 2016**

- (54) **OVAL SHOWER DRAIN**
- (71) Applicant: **AA WATERJET**, Montclair, CA (US)
- (72) Inventor: **Panagiotis Papadatos**, Montclair, CA (US)
- (73) Assignee: **AA WATERJET**, Montclair, CA (US)
- (**) Term: **14 Years**
- (21) Appl. No.: **29/525,104**
- (22) Filed: **Apr. 27, 2015**
- (51) **LOC (10) Cl.** **23-01**
- (52) **U.S. Cl.**
USPC **D23/261**
- (58) **Field of Classification Search**
USPC D13/120; D23/213, 259-266, 267, 268, D23/269; D24/129
CPC ... E04D 13/0409; E04D 13/04; E04D 13/064; E04D 13/0725; E04D 13/0762; E04D 13/0685; E04H 4/1236; E03F 5/06
See application file for complete search history.

(56) **References Cited**

U.S. PATENT DOCUMENTS

5,842,311	A *	12/1998	Morin	E04D 13/076 52/12
5,893,240	A *	4/1999	Ealer, Sr.	E04D 13/076 248/48.2
6,151,837	A *	11/2000	Ealer, Sr.	E04D 13/076 52/11
D523,538	S *	6/2006	Brochu	D23/267
7,650,720	B2 *	1/2010	Ealer, Sr.	E04D 13/076 210/498
7,765,742	B2 *	8/2010	Ealer, Sr.	E04D 13/076 52/11
D623,279	S *	9/2010	Joly, Jr.	D23/267
D638,920	S *	5/2011	Ealer, Sr.	D23/267
D651,292	S *	12/2011	Geers	D23/267
8,146,218	B1 *	4/2012	Ealer, Sr.	E04D 13/076 29/6.1
D659,226	S *	5/2012	Weber	D23/267
D672,016	S *	12/2012	Walker	D23/267

8,322,082	B2 *	12/2012	Neumann	E04D 13/076 248/48.1
8,434,269	B1 *	5/2013	Brochu	E04D 13/076 52/12
D683,827	S *	6/2013	Ealer, Sr.	D23/267
8,578,658	B2 *	11/2013	Snell	E04D 13/076 210/474
9,163,406	B1 *	10/2015	Ealer, Sr.	E04D 13/076
2006/0101722	A1 *	5/2006	Ealer	E04D 13/076 52/12
2008/0127575	A1 *	6/2008	Ealer	E04D 13/076 52/12
2008/0134587	A1 *	6/2008	Ealer	E04D 13/076 52/12
2009/0108144	A1 *	4/2009	Brochu	E04D 13/076 248/48.1
2011/0041414	A1 *	2/2011	Bell	E04D 13/076 52/12
2011/0126477	A1 *	6/2011	Hurn	E04D 13/076 52/12
2011/0138698	A1 *	6/2011	Neumann	E04D 13/076 52/12
2011/0185641	A1 *	8/2011	Snell	E04D 13/076 52/12
2012/0222366	A1 *	9/2012	Steinberg	E04D 13/076 52/12

* cited by examiner

Primary Examiner — George D Kirschbaum

Assistant Examiner — Amy Wierenga

(74) *Attorney, Agent, or Firm* — Heidi L. Eisenhut; Loza & Loza, LLP

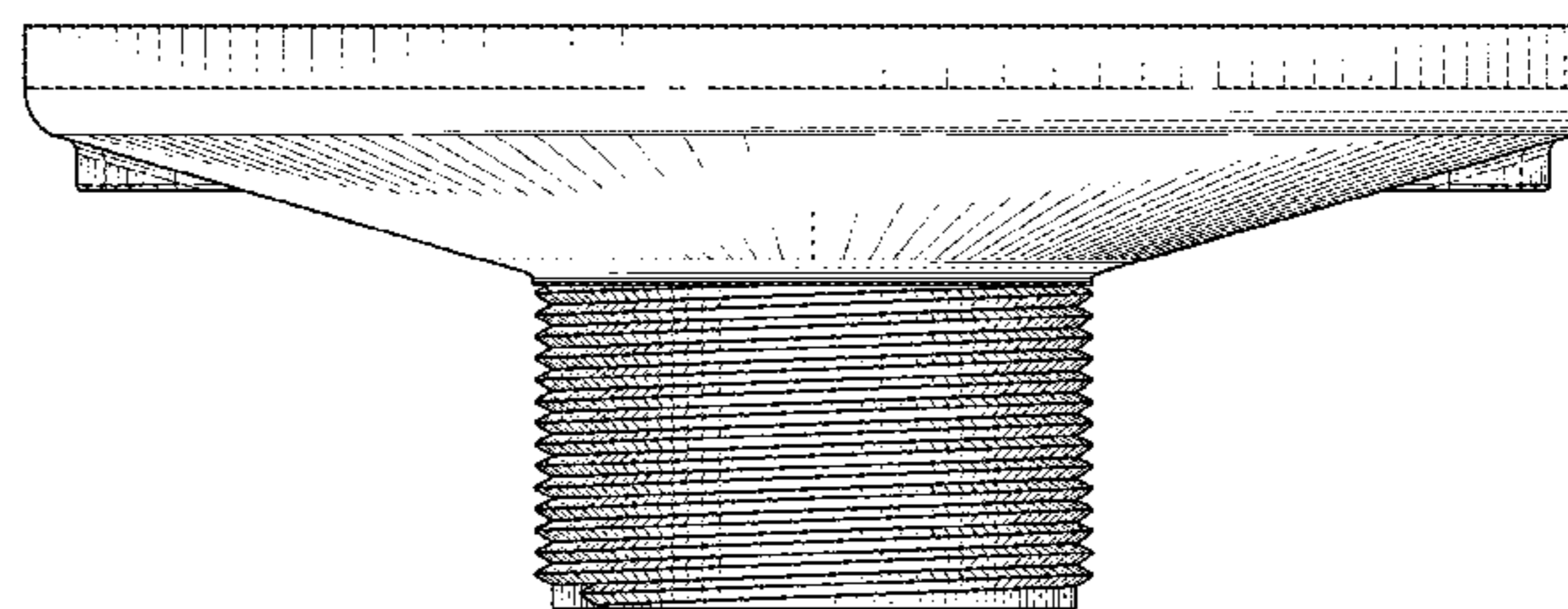
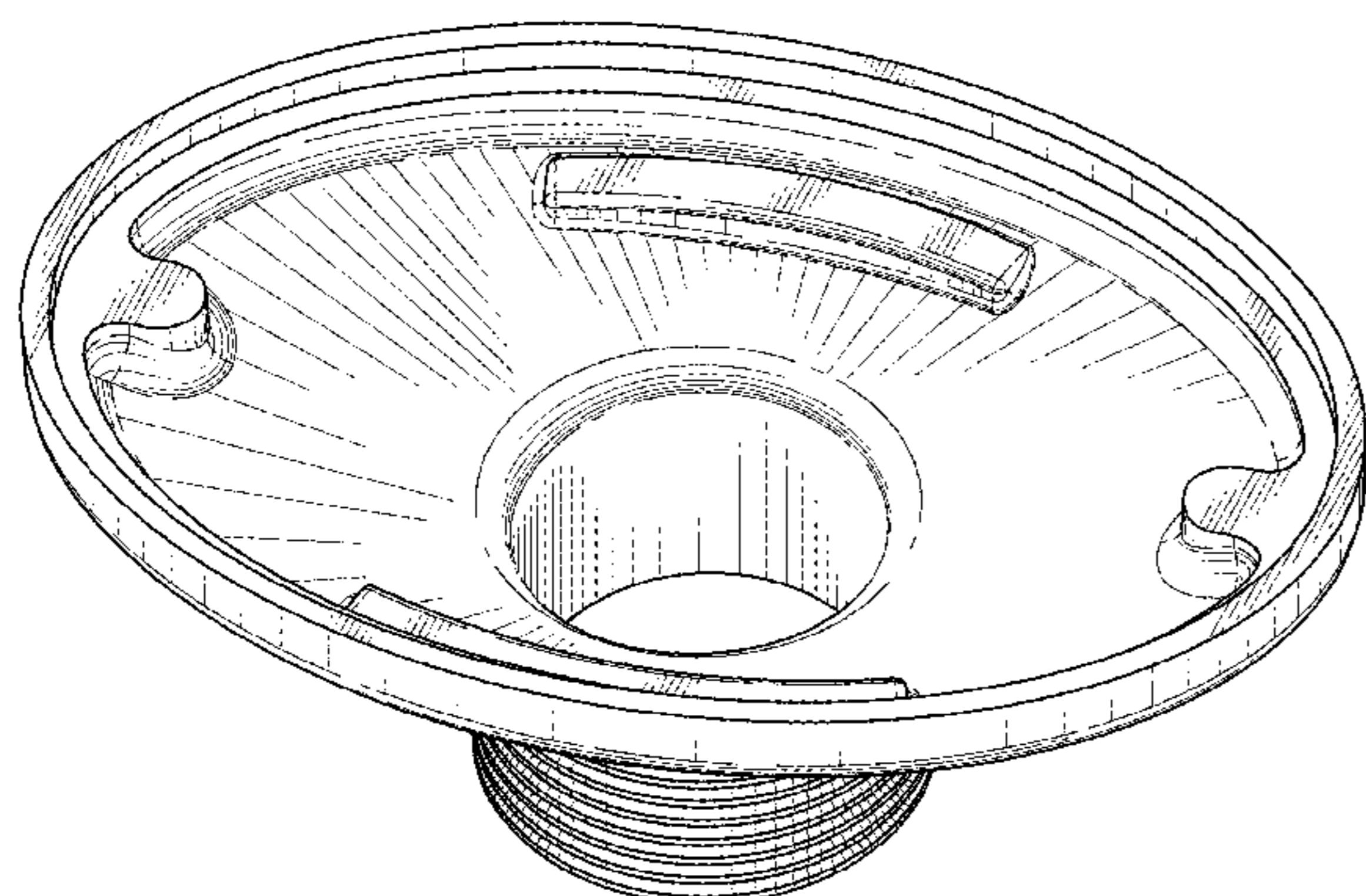
(57) **CLAIM**

The ornamental design for an oval shower drain, as shown and described.

DESCRIPTION

FIG. 1 is a top front right perspective of an oval shower drain of the present invention;
FIG. 2 is a front view of the oval shower drain of FIG. 1;
FIG. 3 is a back view of the oval shower drain of FIG. 1;
FIG. 4 is a left side view of the oval shower drain of FIG. 1;
FIG. 5 is a right side view of the oval shower drain of FIG. 1;
FIG. 6 is a top view of the oval shower drain of FIG. 1; and,
FIG. 7 is a bottom view of the oval shower drain of FIG. 1.

1 Claim, 3 Drawing Sheets



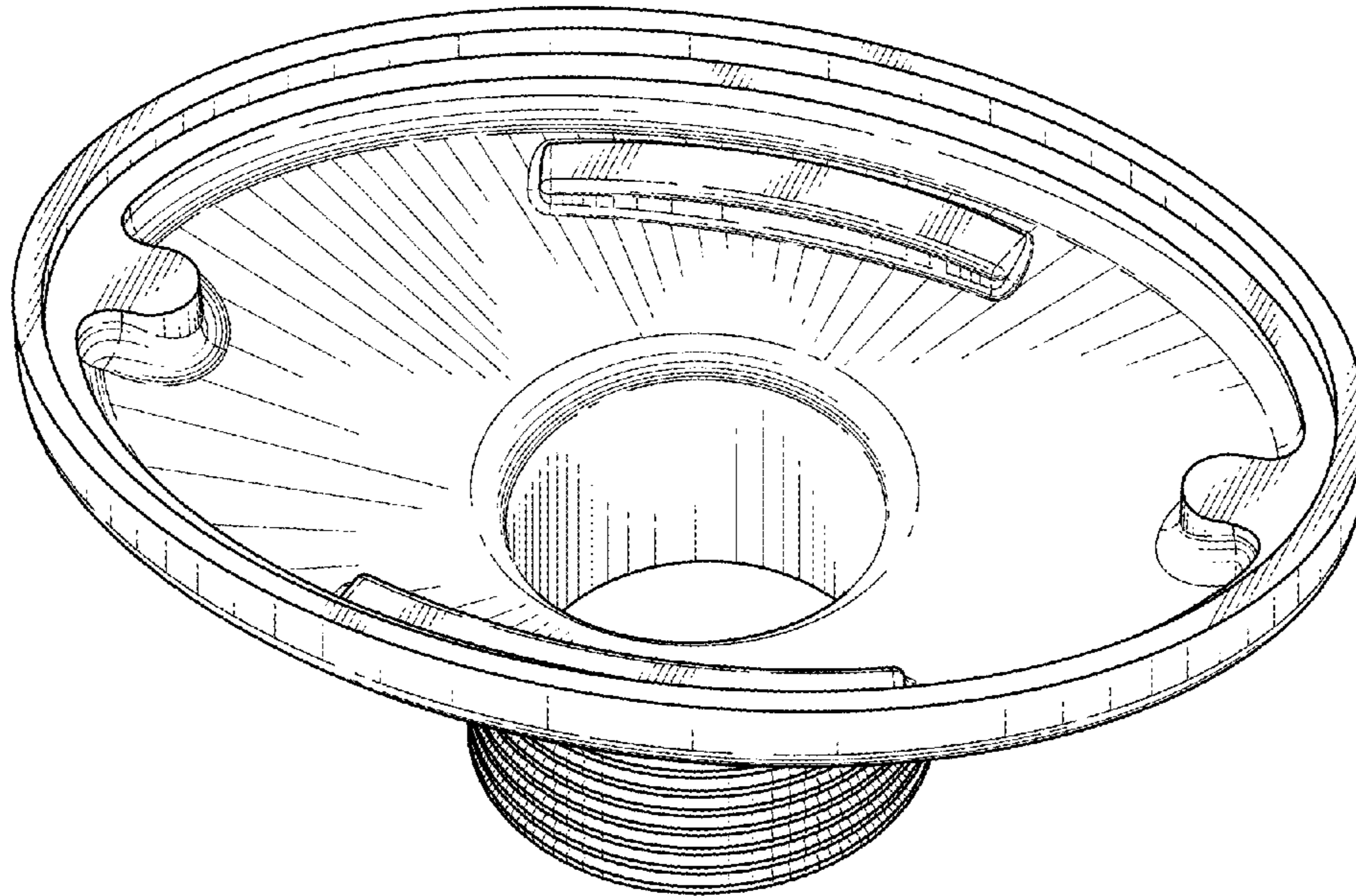


FIG. 1

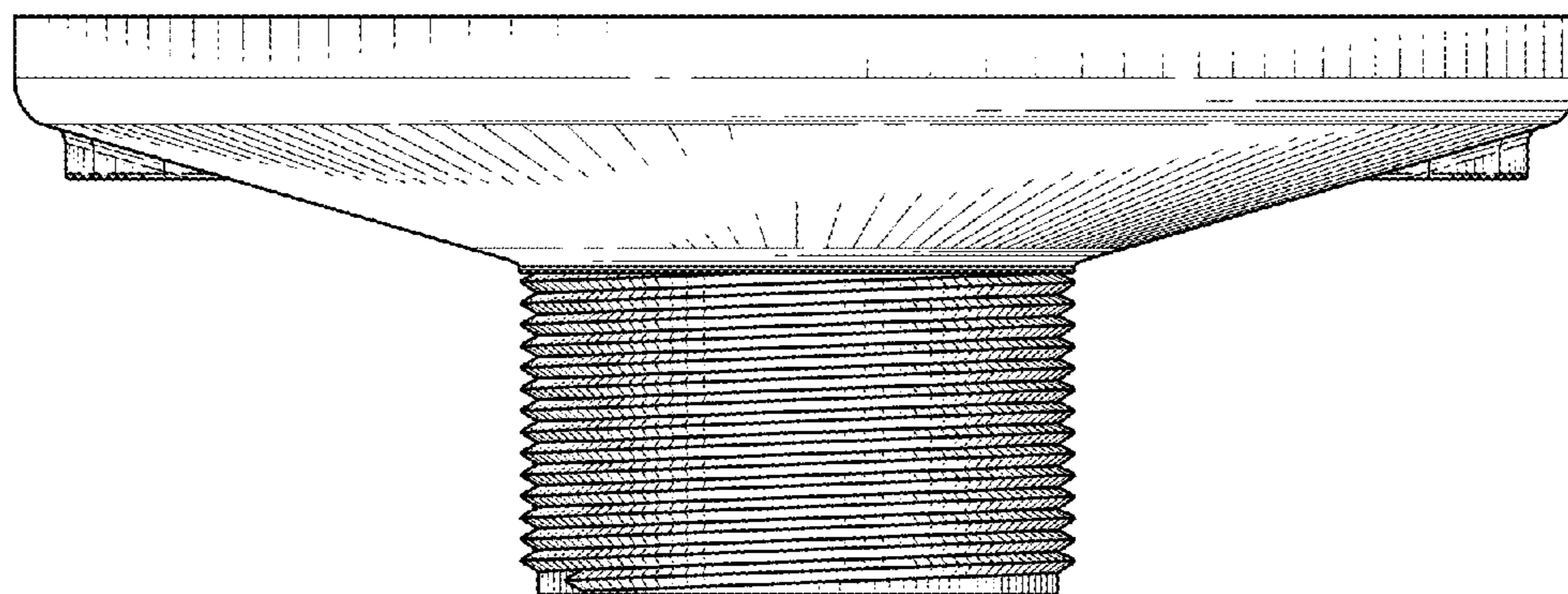


FIG. 2

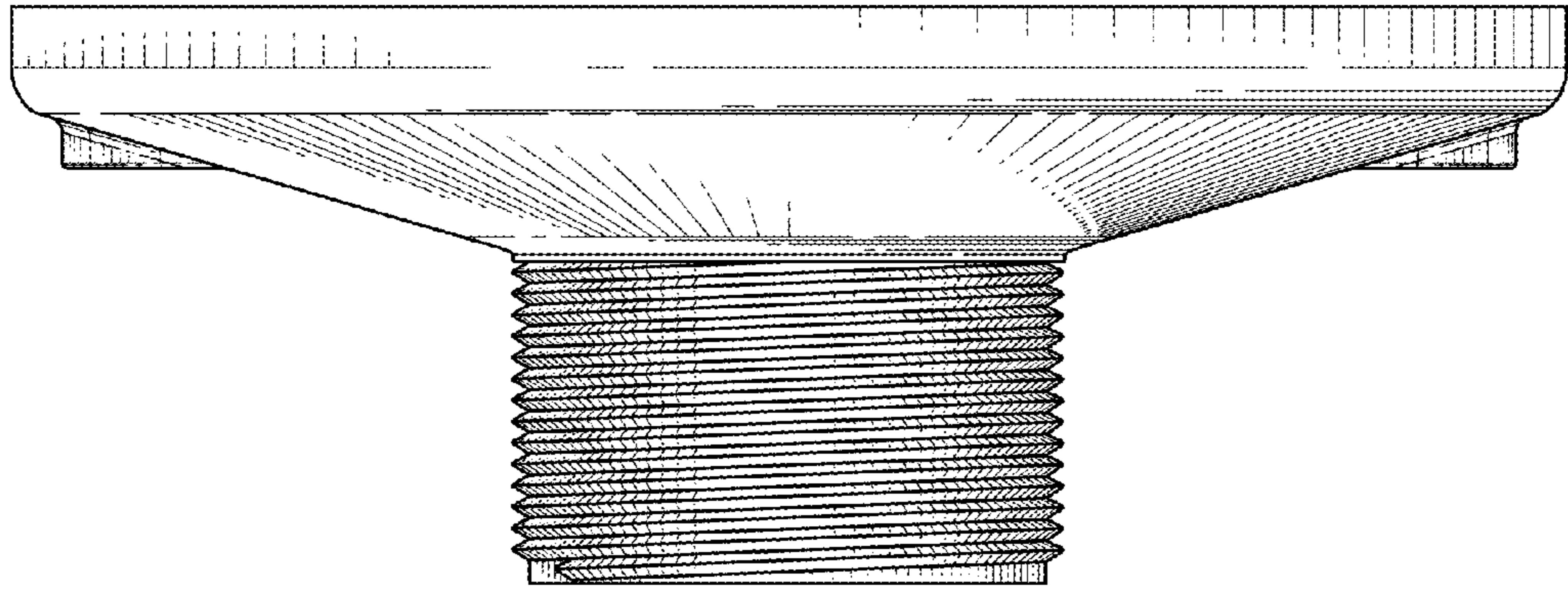


FIG. 3

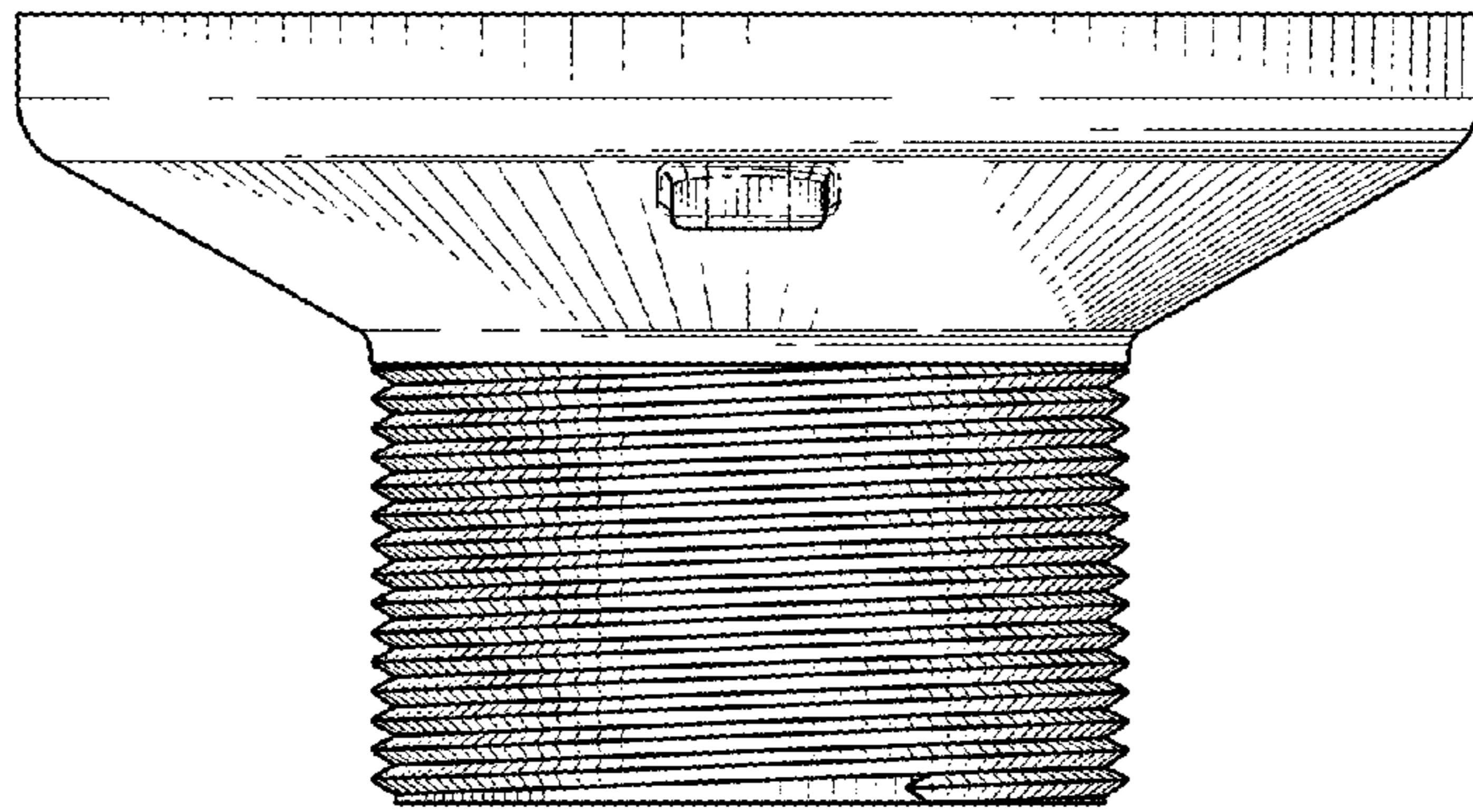


FIG. 4

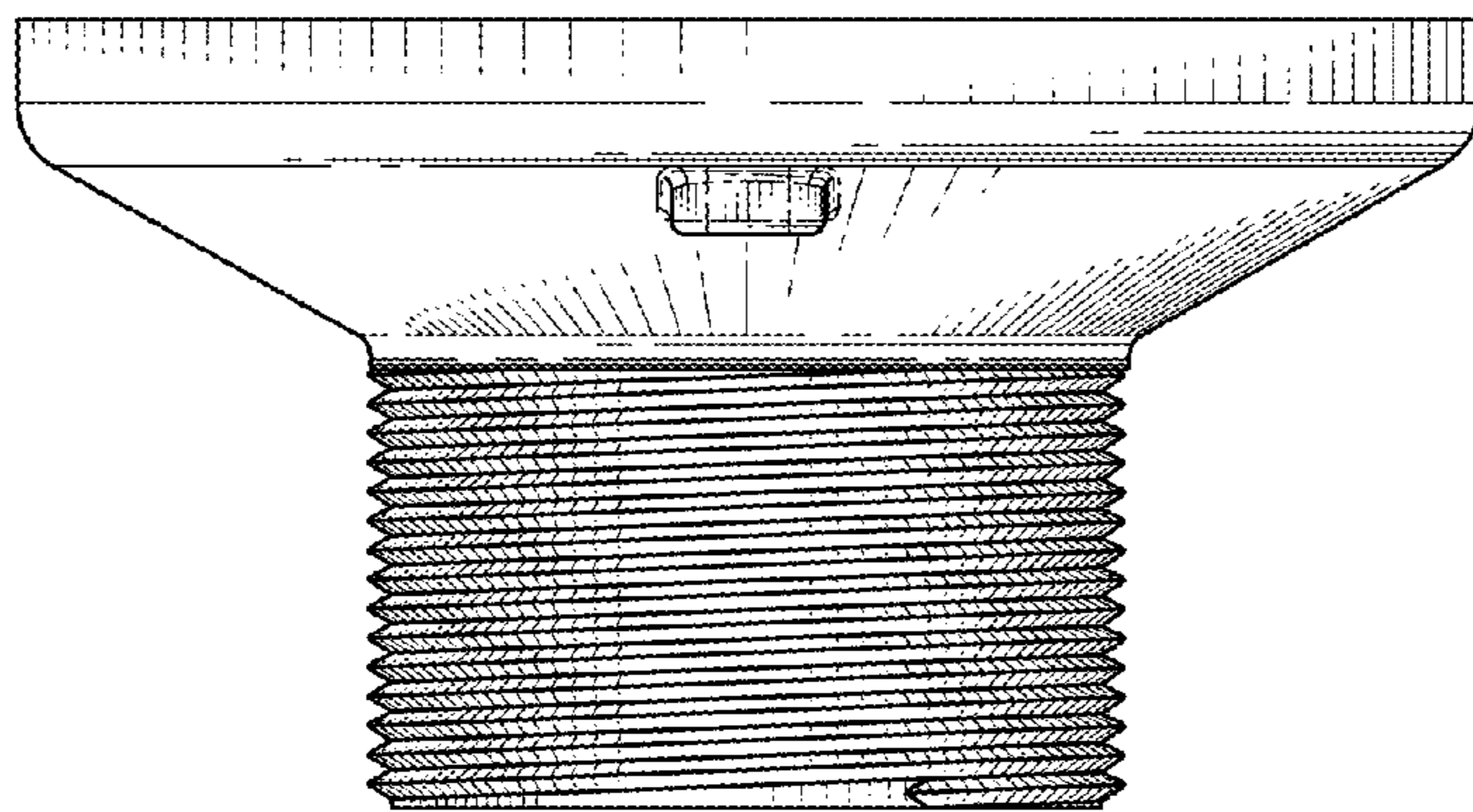


FIG. 5

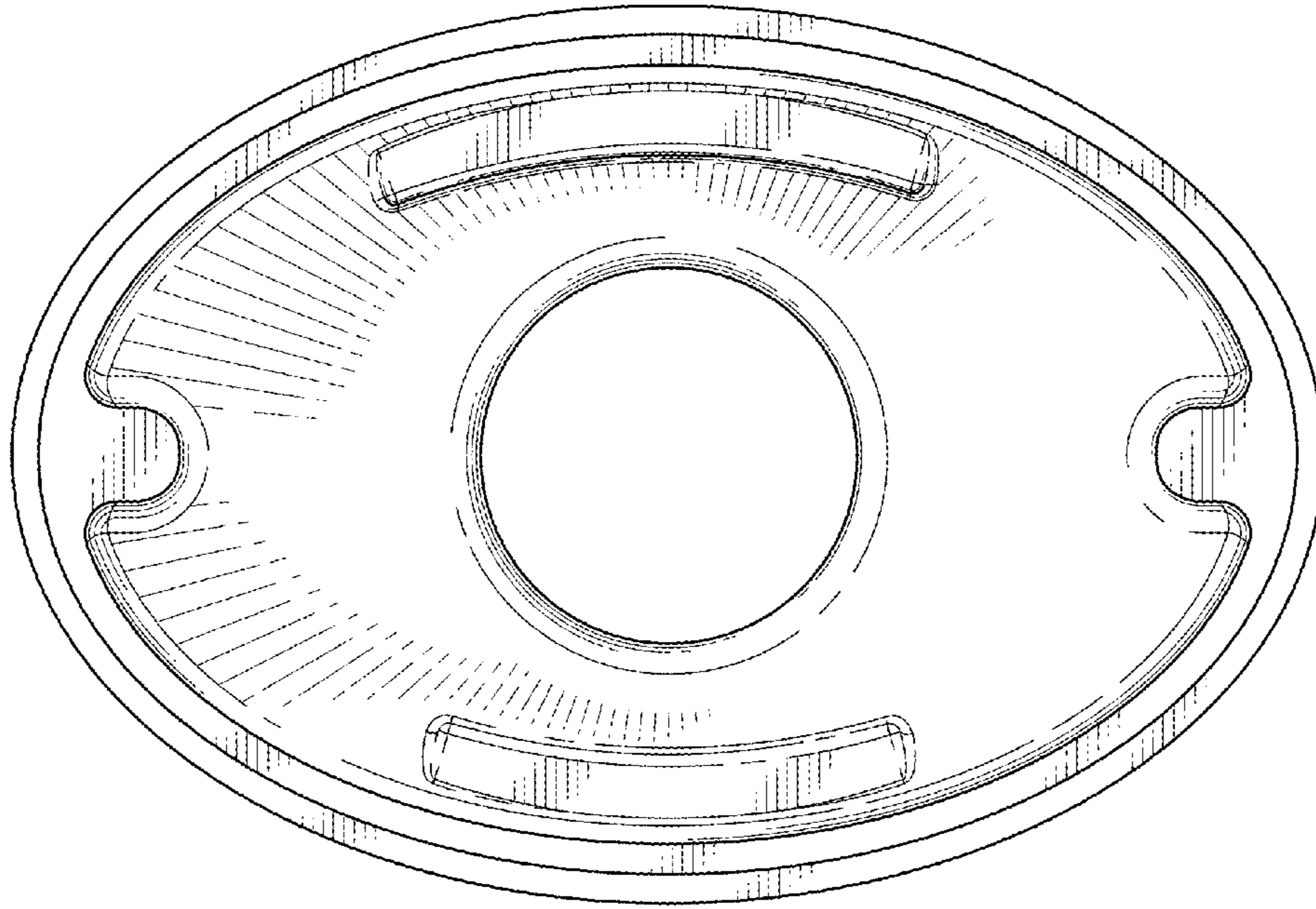


FIG. 6

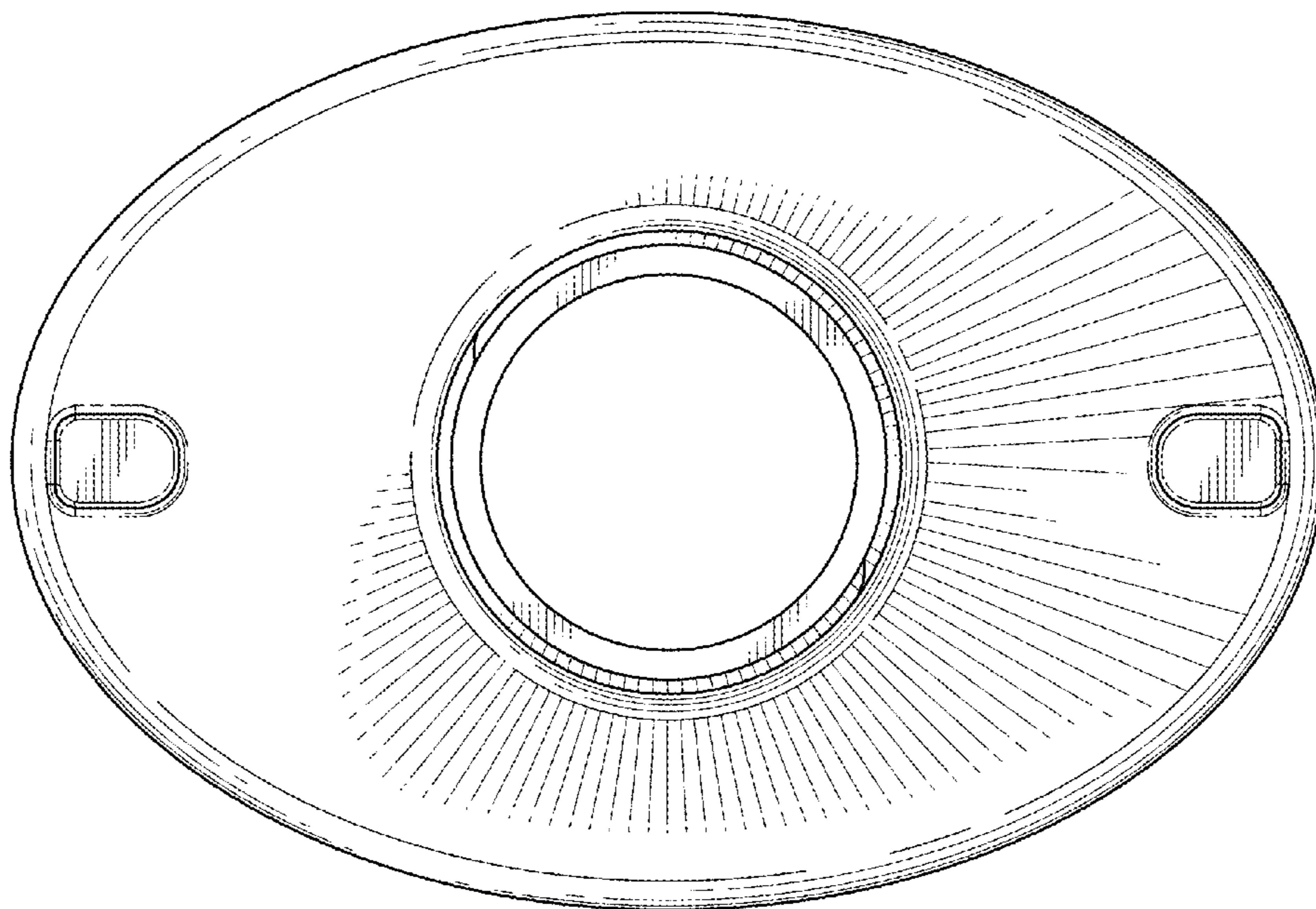


FIG. 7