



US00D754303S

(12) **United States Design Patent**
Smith

(10) **Patent No.:** **US D754,303 S**
(45) **Date of Patent:** **** Apr. 19, 2016**

- (54) **SIDE LOAD CONDUIT CONNECTOR**
- (71) Applicant: **Bridgeport Fittings, Inc.**, Stratford, CT (US)
- (72) Inventor: **Lawrence J. Smith**, Stamford, CT (US)
- (73) Assignee: **BRIDGEPORT FITTINGS, INC.**, Stratford, CT (US)
- (**) Term: **14 Years**
- (21) Appl. No.: **29/495,766**
- (22) Filed: **Jul. 3, 2014**
- (51) **LOC (10) Cl.** **23-01**
- (52) **U.S. Cl.**
USPC **D23/259**
- (58) **Field of Classification Search**
USPC D23/259-266; D13/133, 149, 155; D8/396, 394
CPC H02G 3/0431; H02G 3/0418; H02G 3/22; H02G 3/065; H02G 3/0691; H02G 3/00; H02G 25/162; H02G 3/0683; H02G 3/0616; H01B 17/20; H01B 17/16; H01R 4/643; H01R 13/447; H01R 13/74; H01R 13/743; H01R 4/36; H01R 4/363; H01R 13/6277; F16L 41/06
See application file for complete search history.

- (56) **References Cited**
U.S. PATENT DOCUMENTS
2,455,180 A * 11/1948 Kennedy F16L 25/08 285/140.1
D188,025 S * 5/1960 Curtiss D23/265
D227,763 S * 7/1973 Hand et al. D23/262
D243,405 S * 2/1977 Mooney D13/149
4,397,485 A * 8/1983 Wood F16L 17/025 285/111
D281,350 S * 11/1985 Heier D23/260
4,641,863 A * 2/1987 Shemtov H02G 3/0683 285/154.4
D332,481 S * 1/1993 Petty D23/262

- 5,201,914 A * 4/1993 Hollick H01R 4/36 439/801
- D339,792 S * 9/1993 Nardi D13/149
- D397,413 S * 8/1998 Sapp D23/262
- D417,498 S * 12/1999 Meyer D23/386
- 6,262,369 B1 * 7/2001 Marik H02G 3/0691 174/151
- D488,714 S * 4/2004 Schengrund D8/382
- D596,272 S * 7/2009 Price D23/259
- D600,649 S * 9/2009 Smith D13/133
- D600,650 S * 9/2009 Smith D13/133
- D600,651 S * 9/2009 Smith D13/133
- D601,094 S * 9/2009 Smith D13/133
- D619,967 S * 7/2010 Smith D13/149
- D668,617 S * 10/2012 Kiely D13/149
- D668,618 S * 10/2012 Smith D13/149
- D689,026 S * 9/2013 Smith D13/155

(Continued)

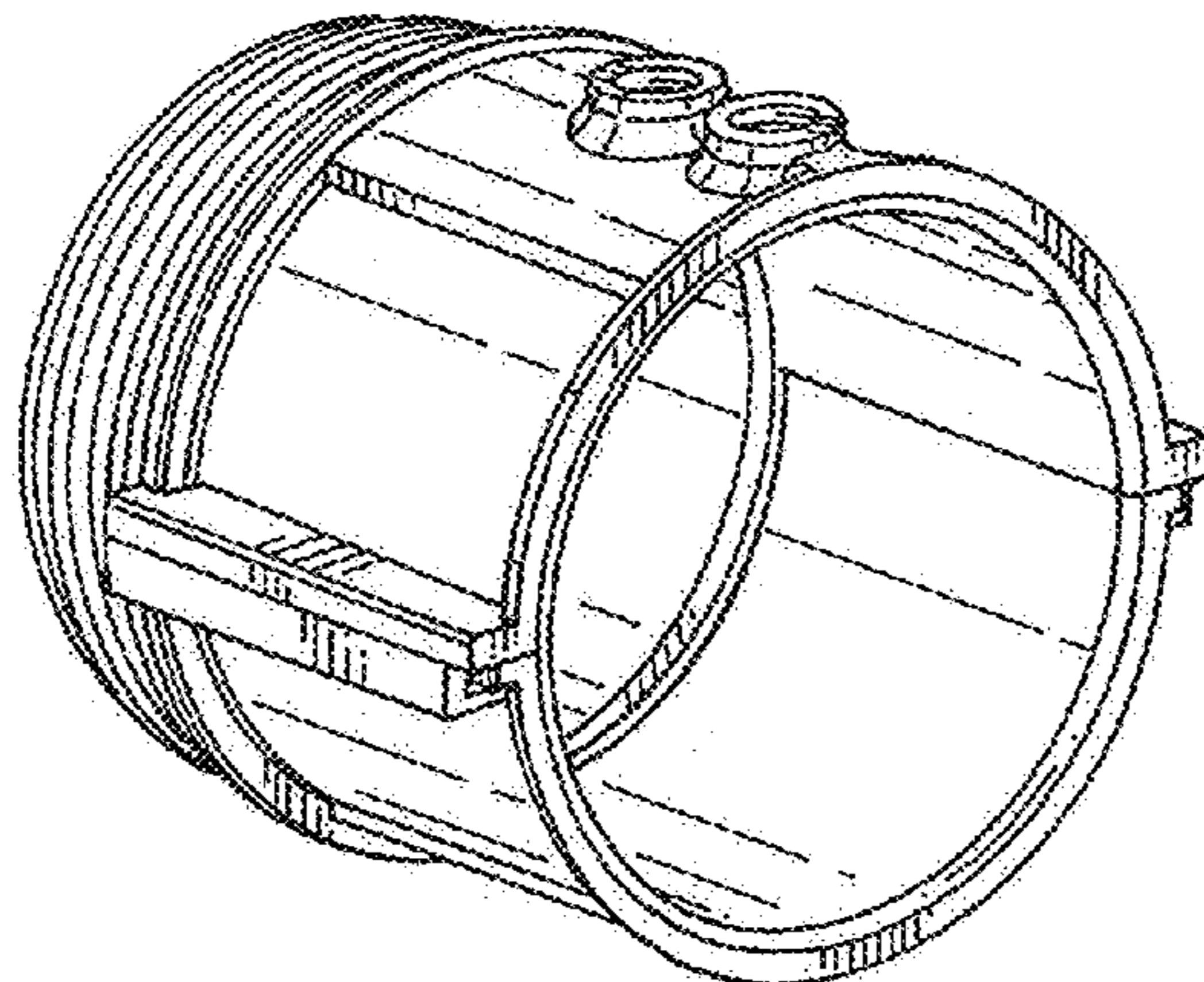
Primary Examiner — John Windmuller
Assistant Examiner — Steven Czyz
(74) *Attorney, Agent, or Firm* — Ware, Fressola, Maguire & Barber LLP

(57) **CLAIM**
The ornamental design for a side load conduit connector, as shown and described.

DESCRIPTION

FIG. 1 is a front perspective view of the side load conduit connector of my design;
FIG. 2 is a front perspective view thereof showing the connector disassembled;
FIG. 3 is a top view thereof;
FIG. 4 is a right side view thereof;
FIG. 5 is a bottom view thereof;
FIG. 6 is a left side view thereof;
FIG. 7 is a front view thereof;
FIG. 8 is a rear view thereof;
FIG. 9 is a front perspective view thereof, shown in use; and,
FIG. 10 is a left side view thereof, shown in use.
The broken lines depict both portions of the article and environment that form no part of the claimed design.

1 Claim, 5 Drawing Sheets



US D754,303 S

Page 2

(56)

References Cited

U.S. PATENT DOCUMENTS

D691,963 S *	10/2013	Smith	D13/155	D702,542 S *	4/2014	Smith	D8/396
D699,195 S *	2/2014	Smith	D13/155	D737,783 S *	9/2015	Smith	D13/155
8,646,813 B1 *	2/2014	Shemtov	F16L 25/0036 174/60	2004/0112621 A1 *	6/2004	Schengrund	H02G 3/06 174/505
					2013/0233435 A1 *	9/2013	Henthorn	F16L 25/065 138/155

* cited by examiner

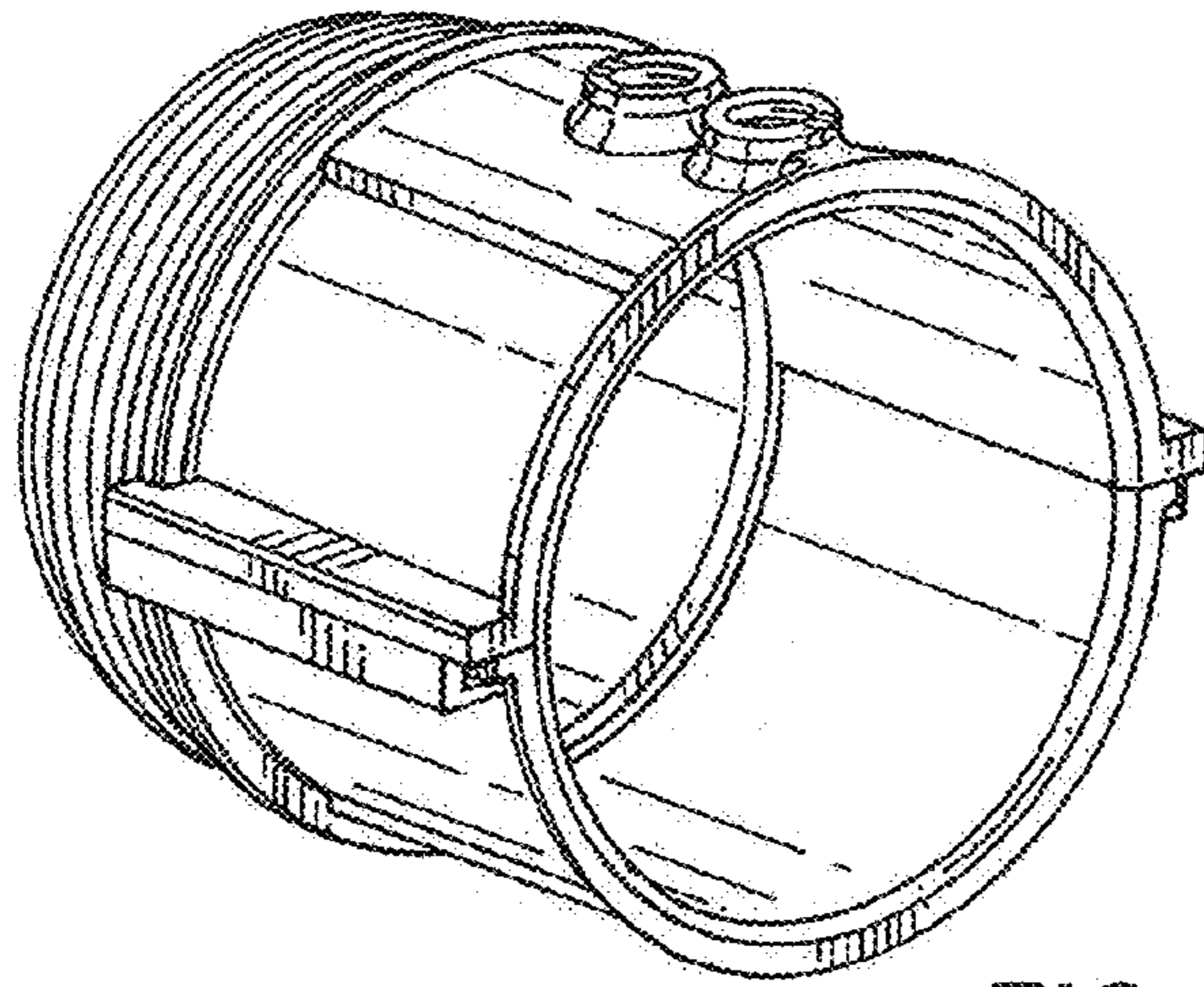


FIG. 1

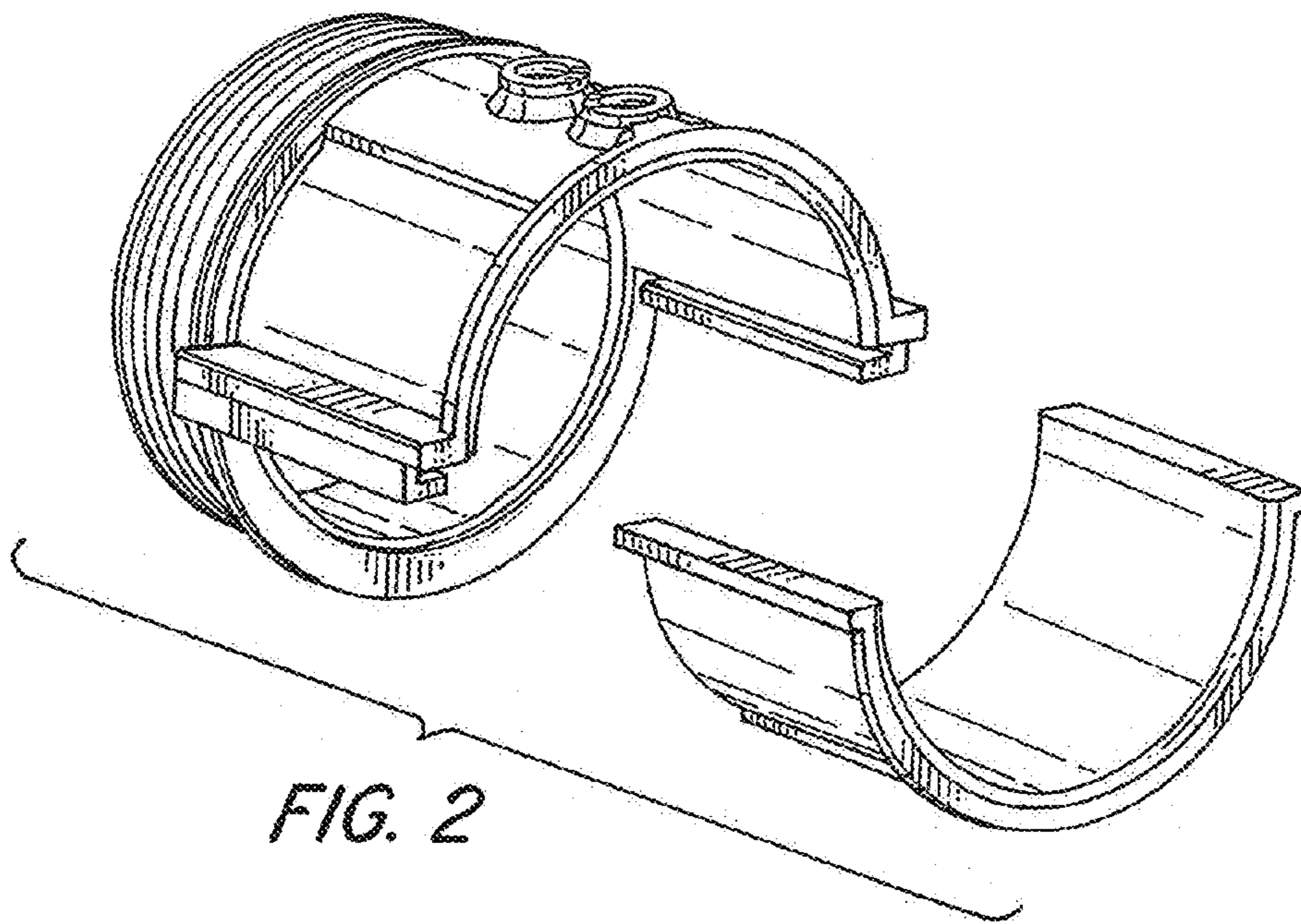


FIG. 2

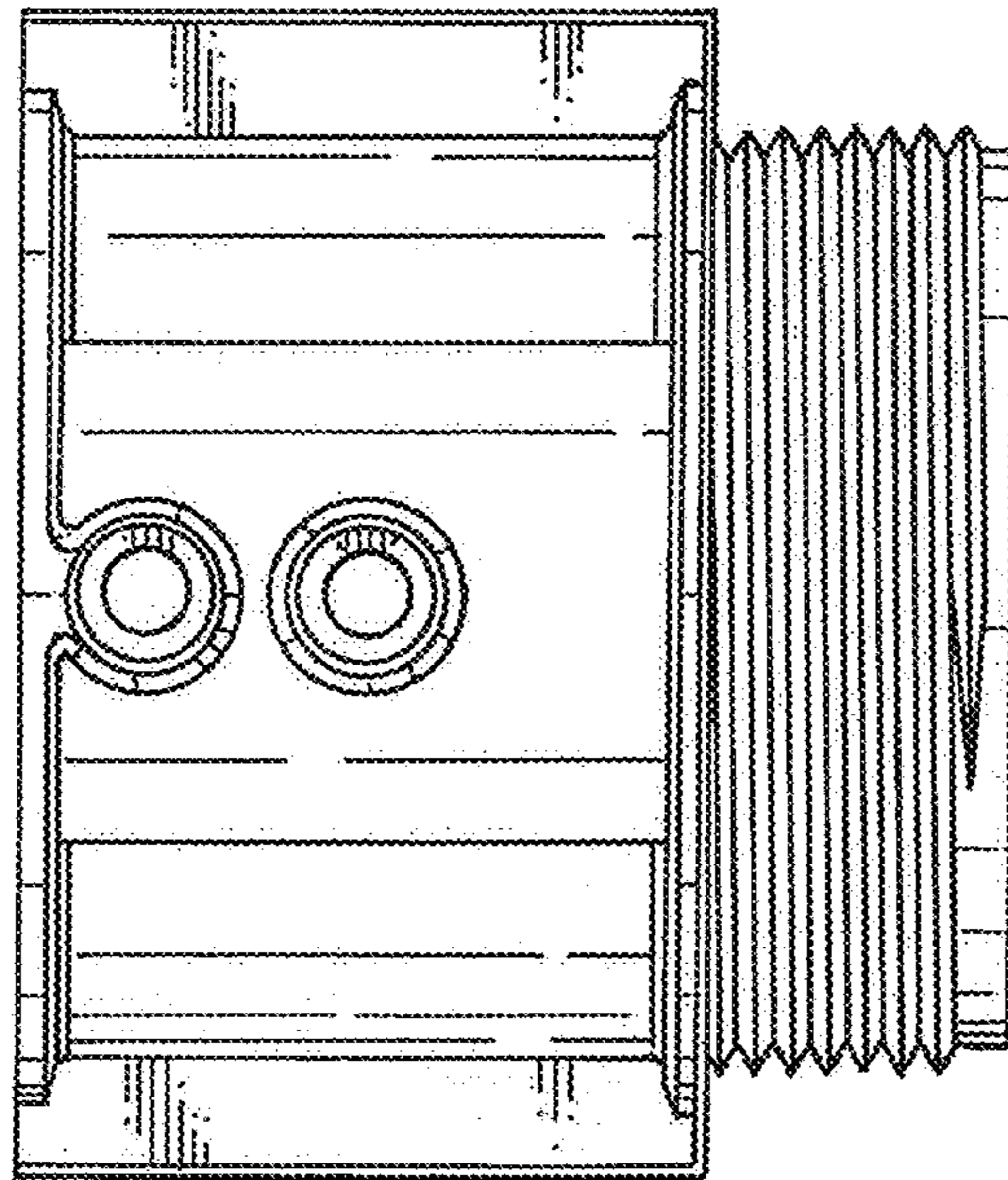


FIG. 3

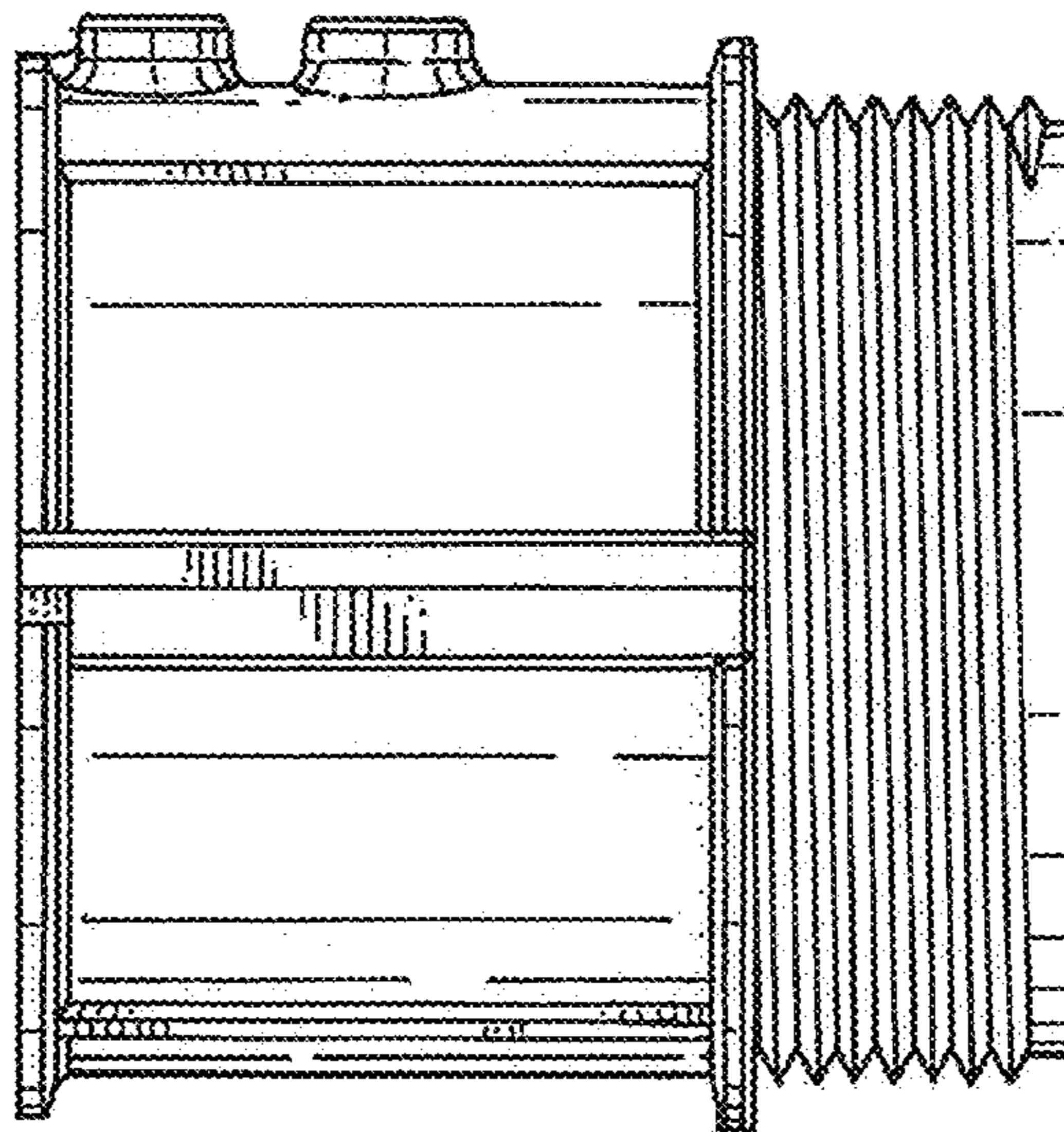


FIG. 4

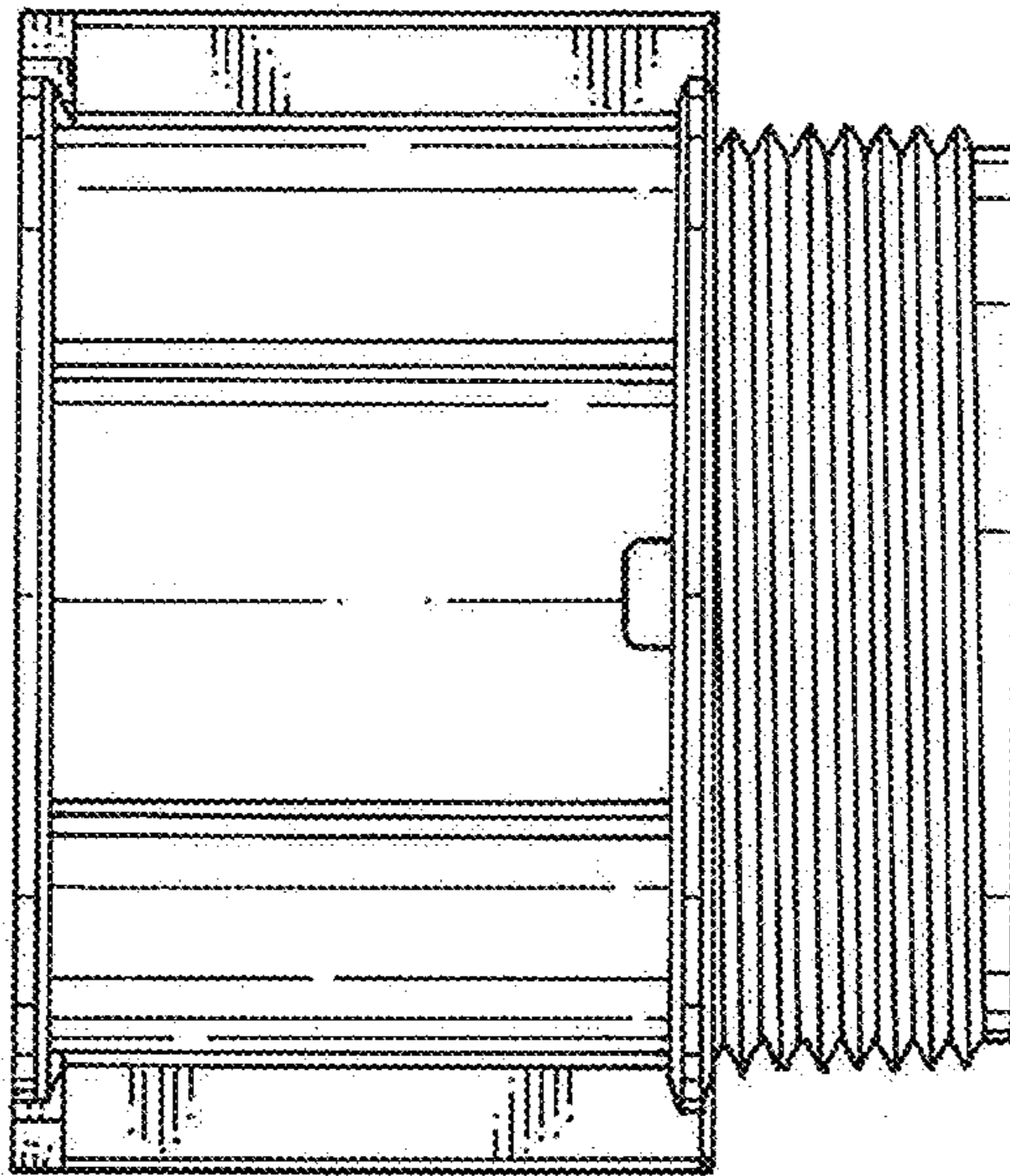


FIG. 5

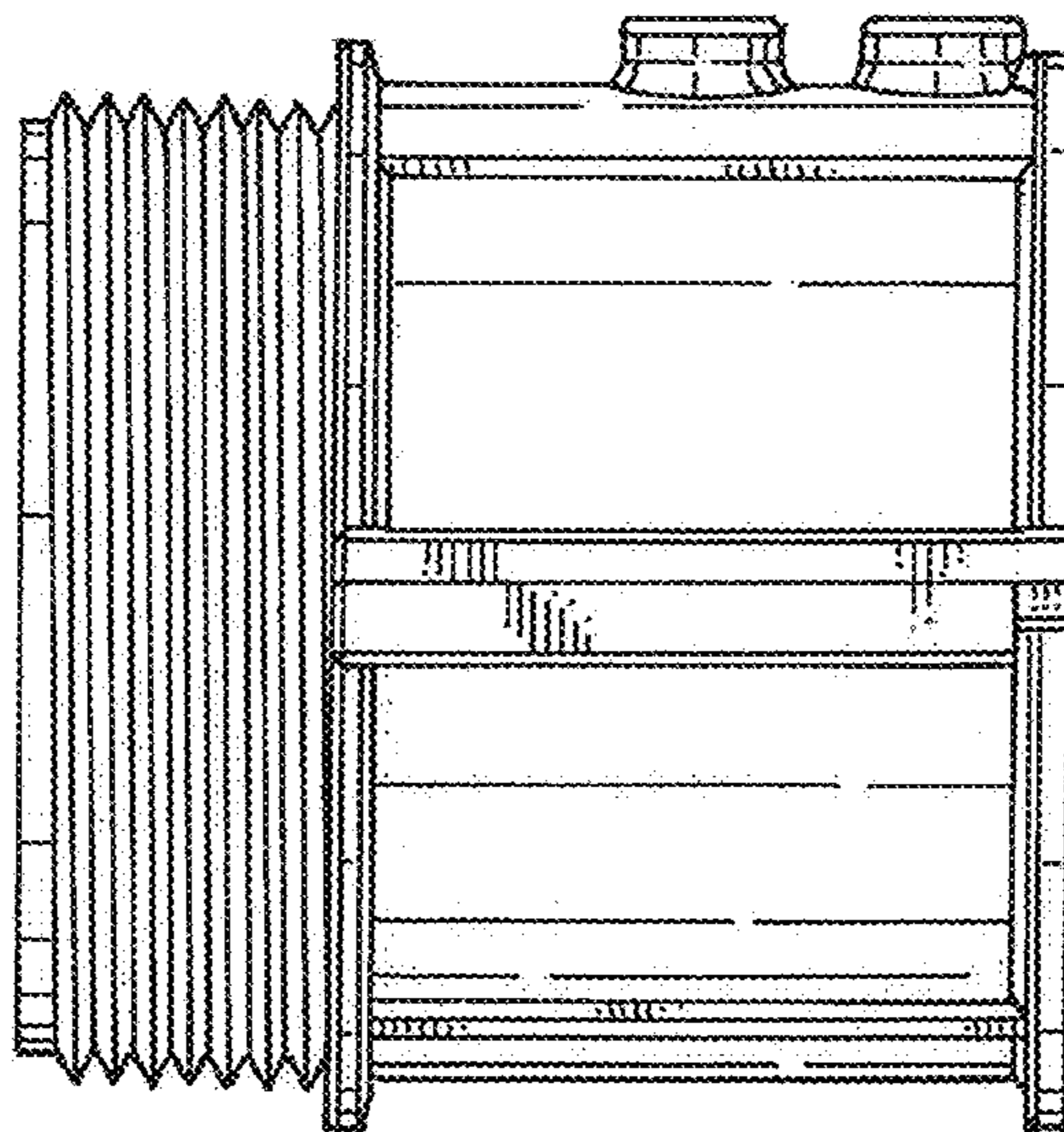


FIG. 6

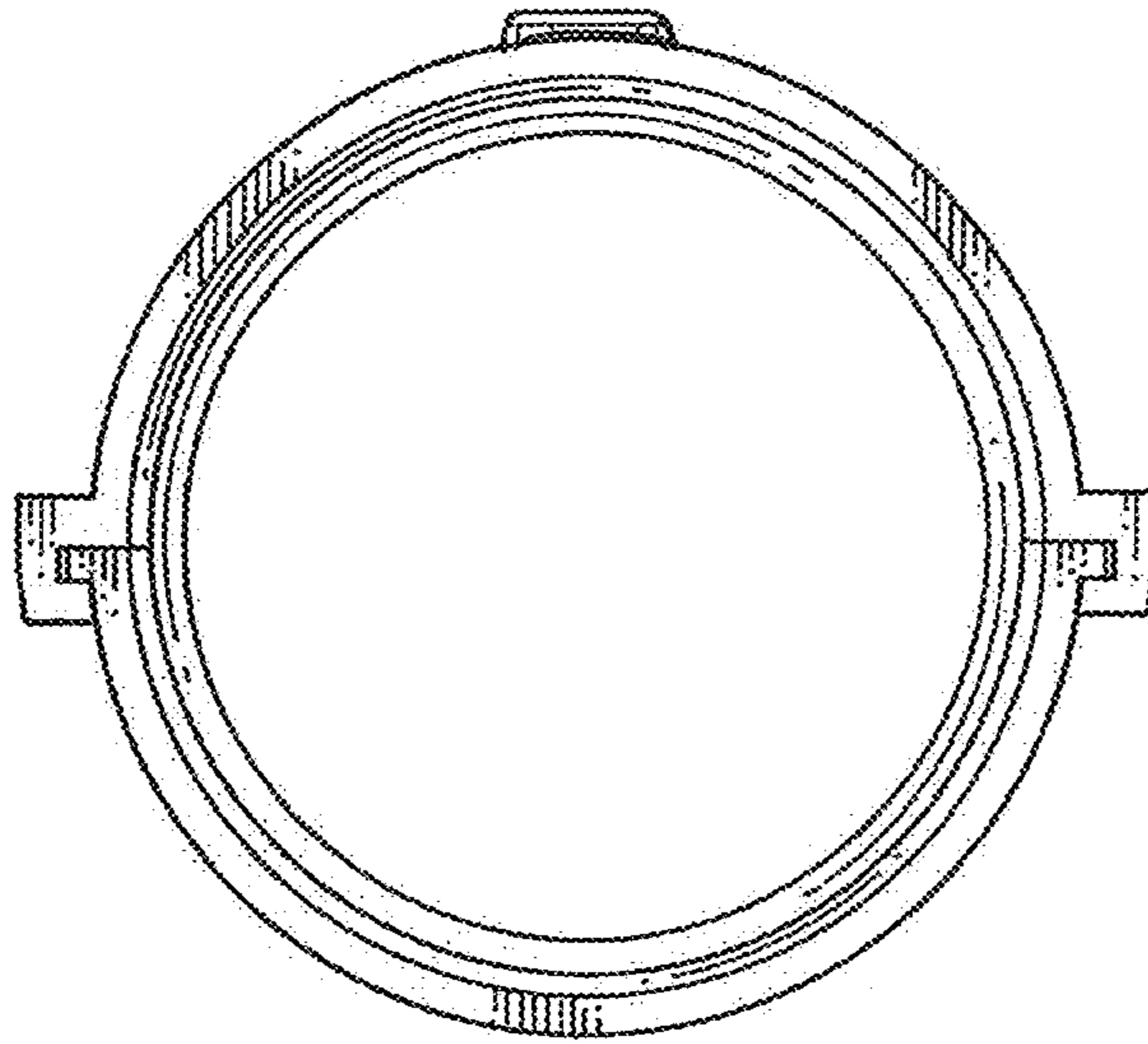


FIG. 7

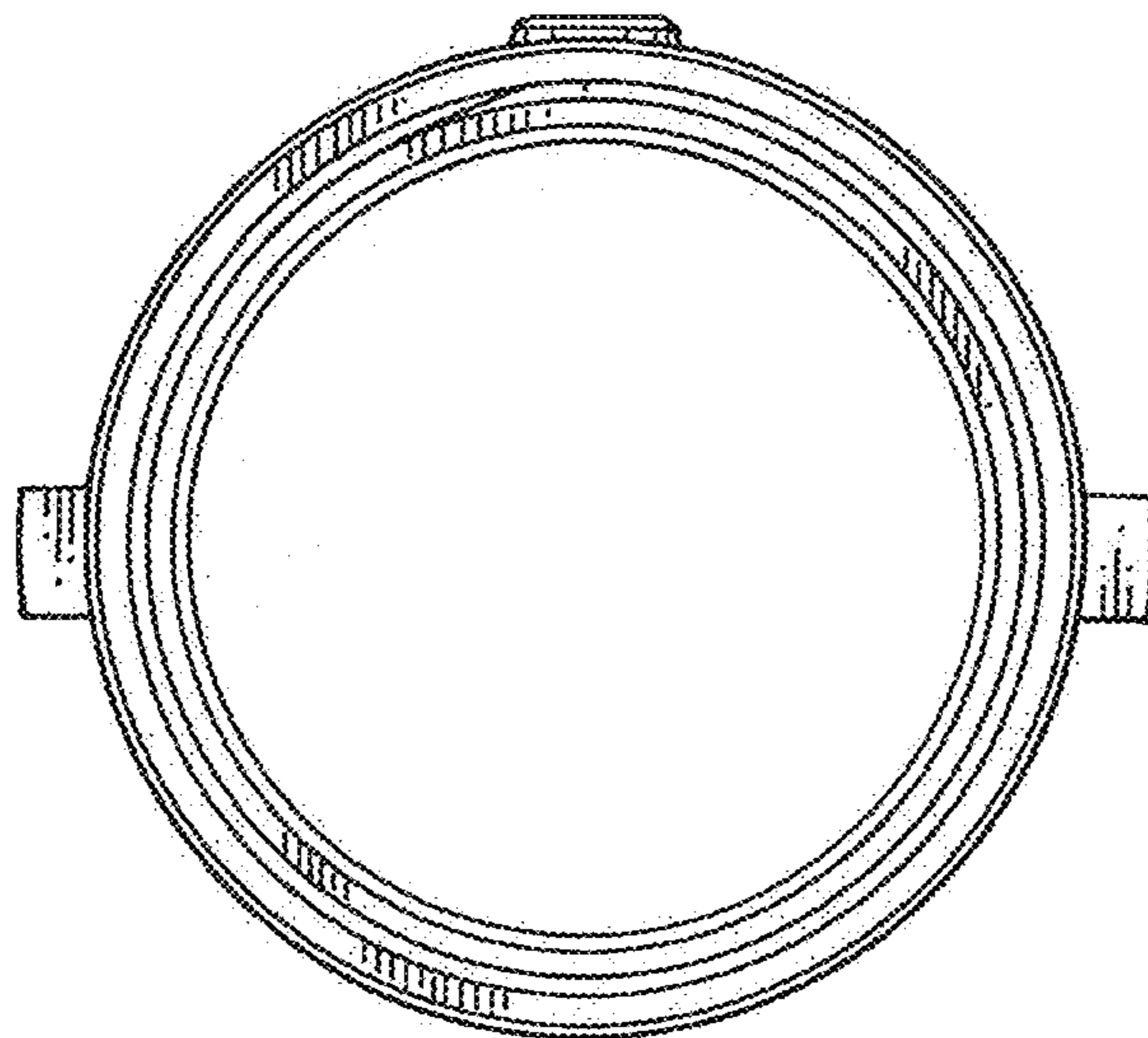


FIG. 8

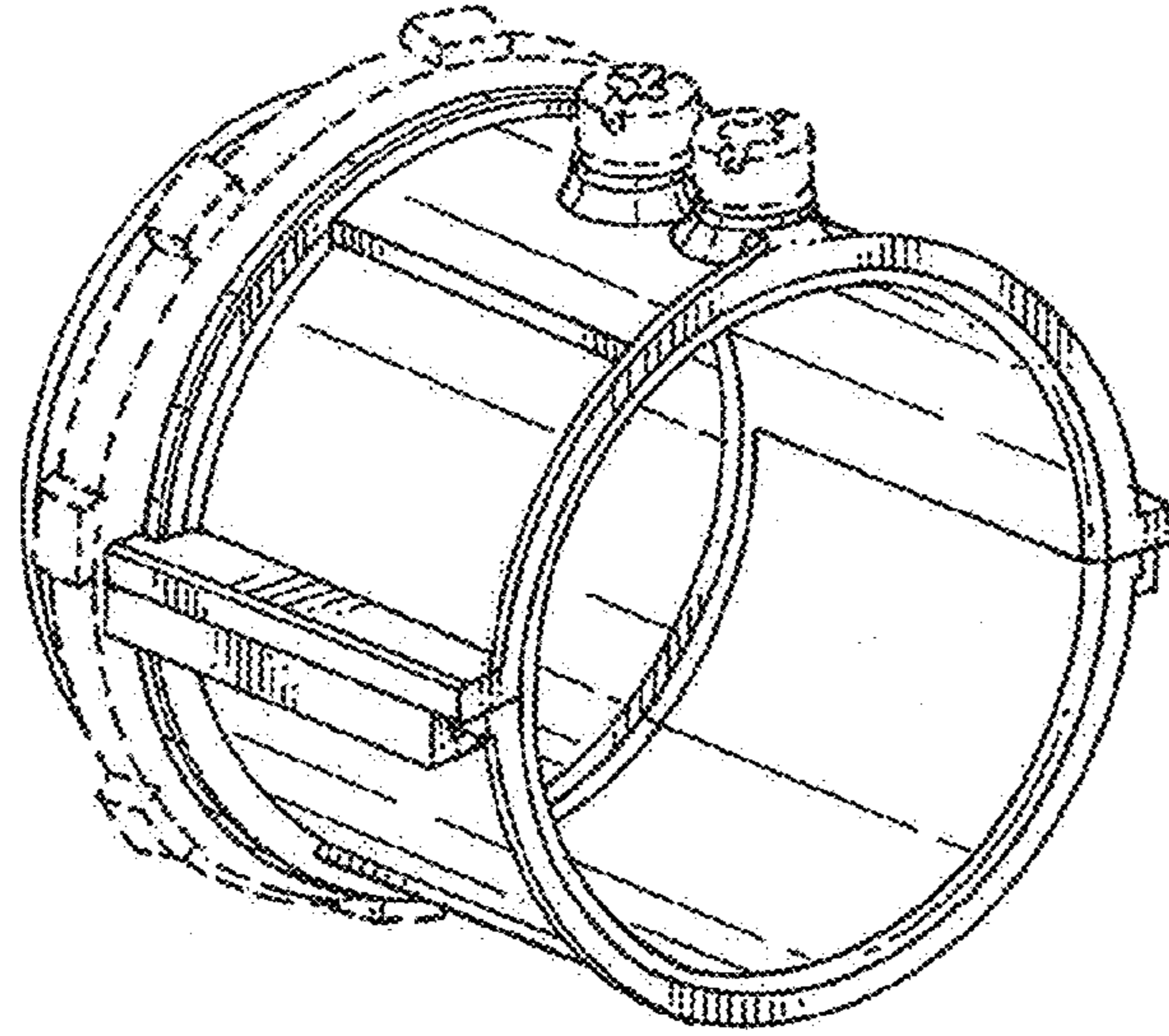


FIG. 9

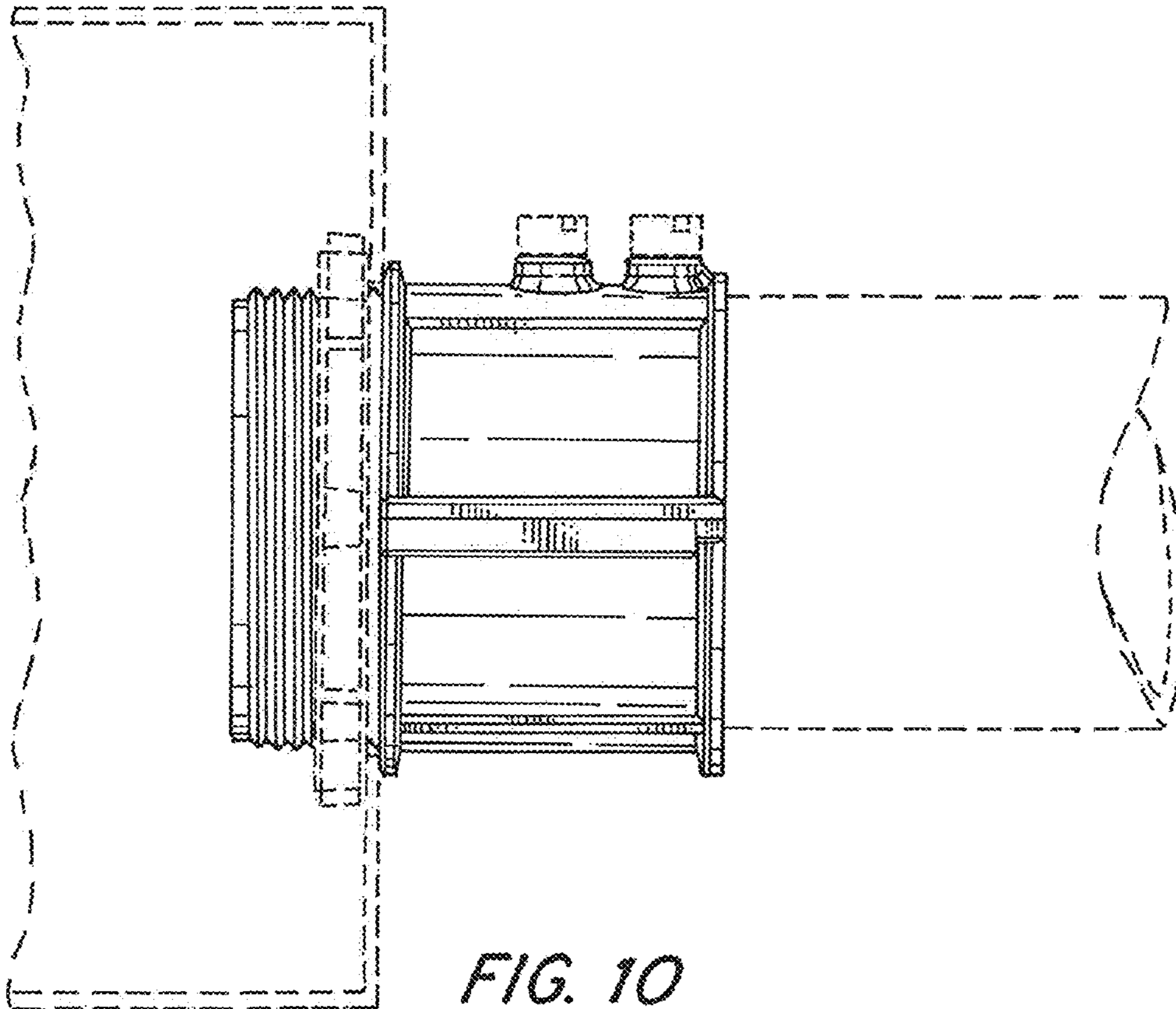


FIG. 10