



US00D754300S

(12) **United States Design Patent**  
**Lord**

(10) **Patent No.:** **US D754,300 S**  
(45) **Date of Patent:** **\*\* Apr. 19, 2016**

(54) **FAUCET BODY**

D589,120 S \* 3/2009 Tsai ..... D23/238  
D639,394 S \* 6/2011 Citterio ..... D23/238  
D734,433 S \* 7/2015 Sieger ..... D23/238

(71) Applicant: **Delta Faucet Company**, Indianapolis,  
IN (US)

\* cited by examiner

(72) Inventor: **Judd Lord**, McCordsville, IN (US)

*Primary Examiner* — Robert Delehanty

(73) Assignee: **DELTA FAUCET COMPANY**,  
Indianapolis, IN (US)

(74) *Attorney, Agent, or Firm* — Edgar A. Zarins; Nirav D.  
Parikh

(\*\*) Term: **14 Years**

(21) Appl. No.: **29/513,824**

(57) **CLAIM**

The ornamental design for a faucet body, as shown and  
described.

(22) Filed: **Jan. 6, 2015**

(51) **LOC (10) Cl.** ..... **23-01**

(52) **U.S. Cl.**  
USPC ..... **D23/255**

(58) **Field of Classification Search**  
USPC ..... D23/238, 241–243, 249–250, 252,  
D23/254–255, 257  
CPC ..... E03C 1/04; E03C 1/0401; E03C 1/0402;  
E03C 1/0404  
See application file for complete search history.

**DESCRIPTION**

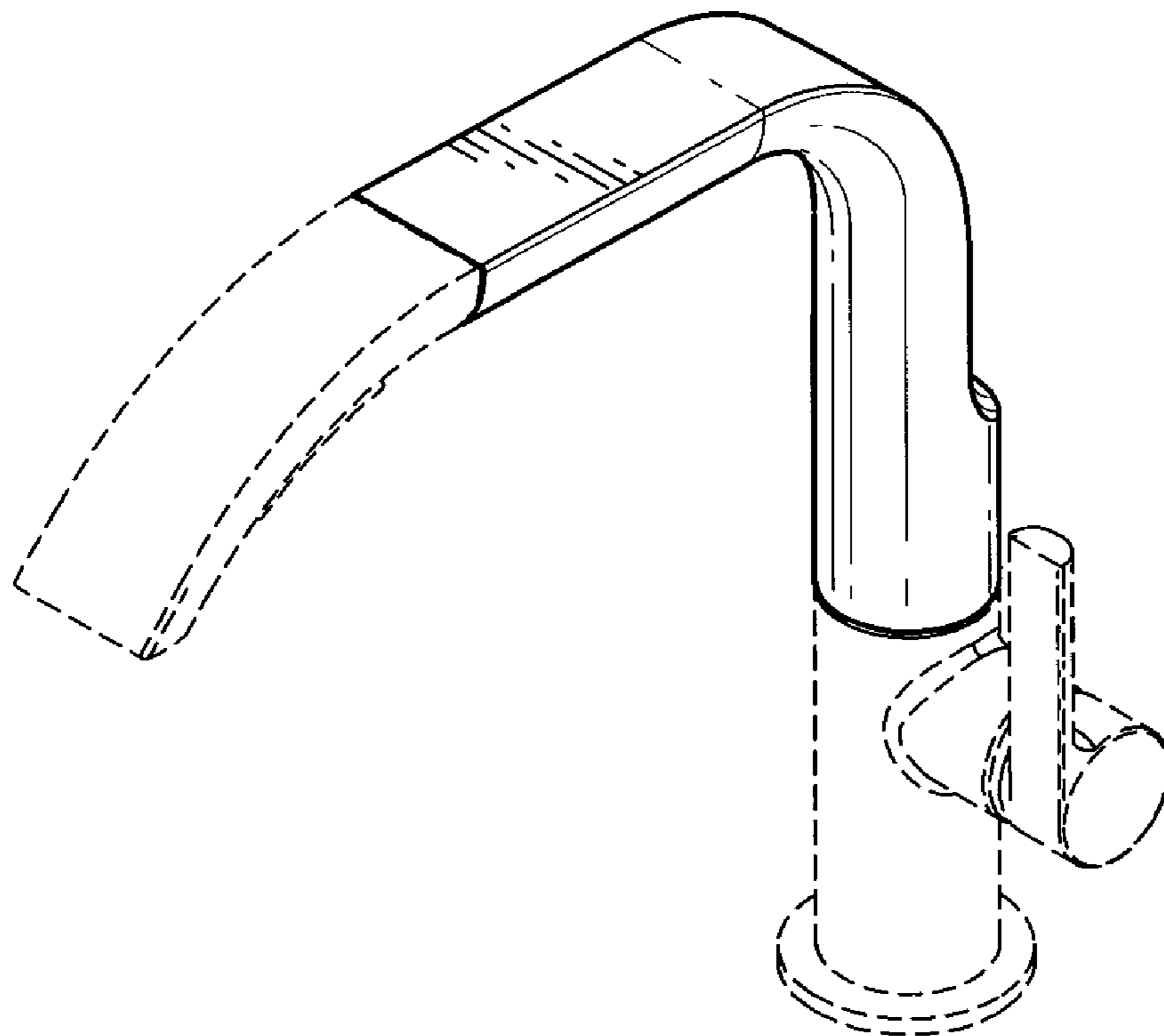
FIG. 1 is a perspective view of a faucet body showing my new  
design;  
FIG. 2 is a top plan view thereof;  
FIG. 3 is a bottom view thereof;  
FIG. 4 is a front view thereof;  
FIG. 5 is a left side view thereof;  
FIG. 6 is a right side view thereof; and,  
FIG. 7 is a rear view thereof.

(56) **References Cited**

**U.S. PATENT DOCUMENTS**

D314,040 S \* 1/1991 Heieck ..... D23/238  
D517,652 S \* 3/2006 Egli ..... D23/238

**1 Claim, 2 Drawing Sheets**



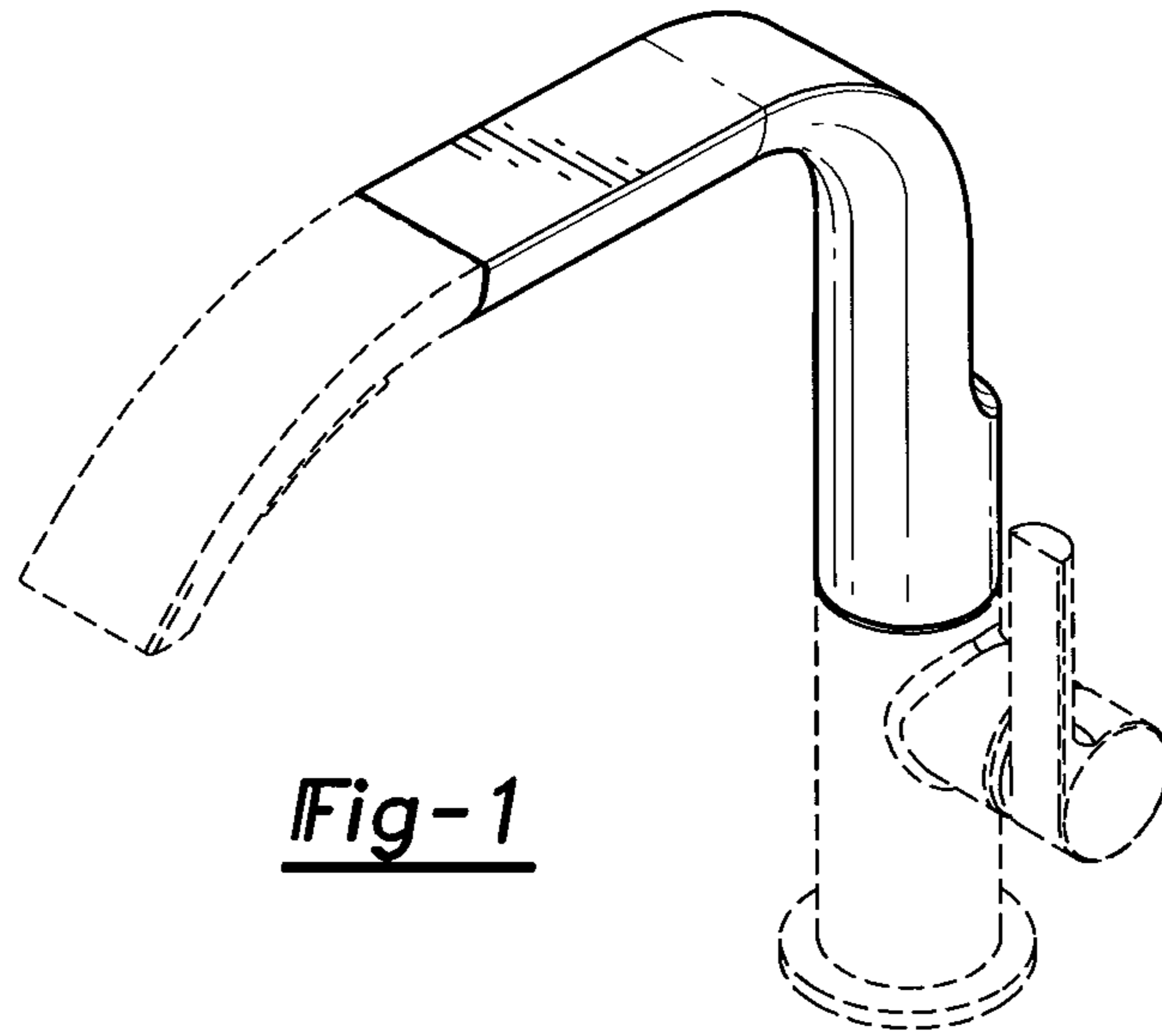


Fig-1

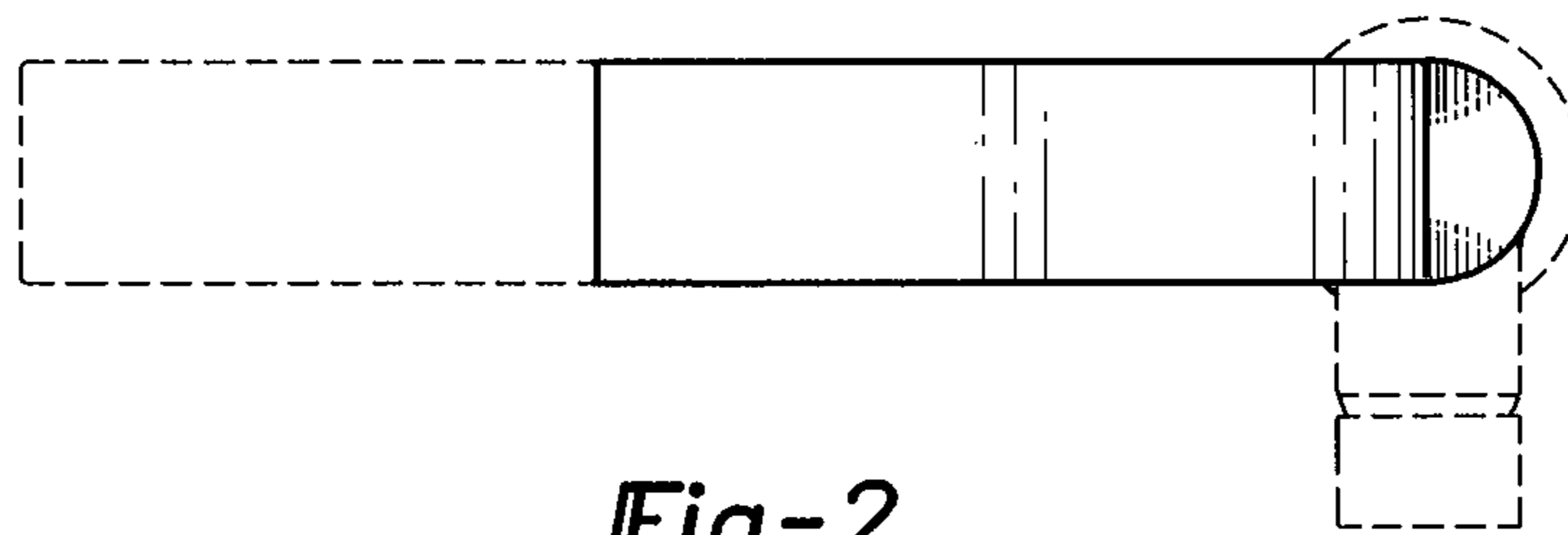


Fig-2

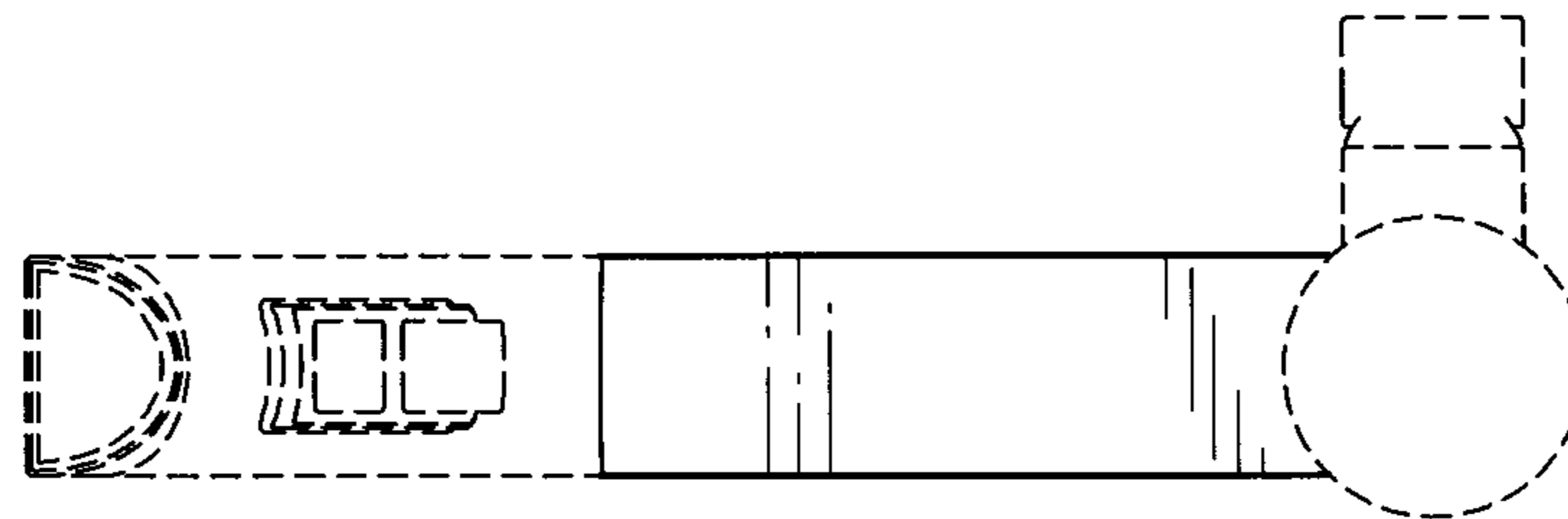


Fig-3

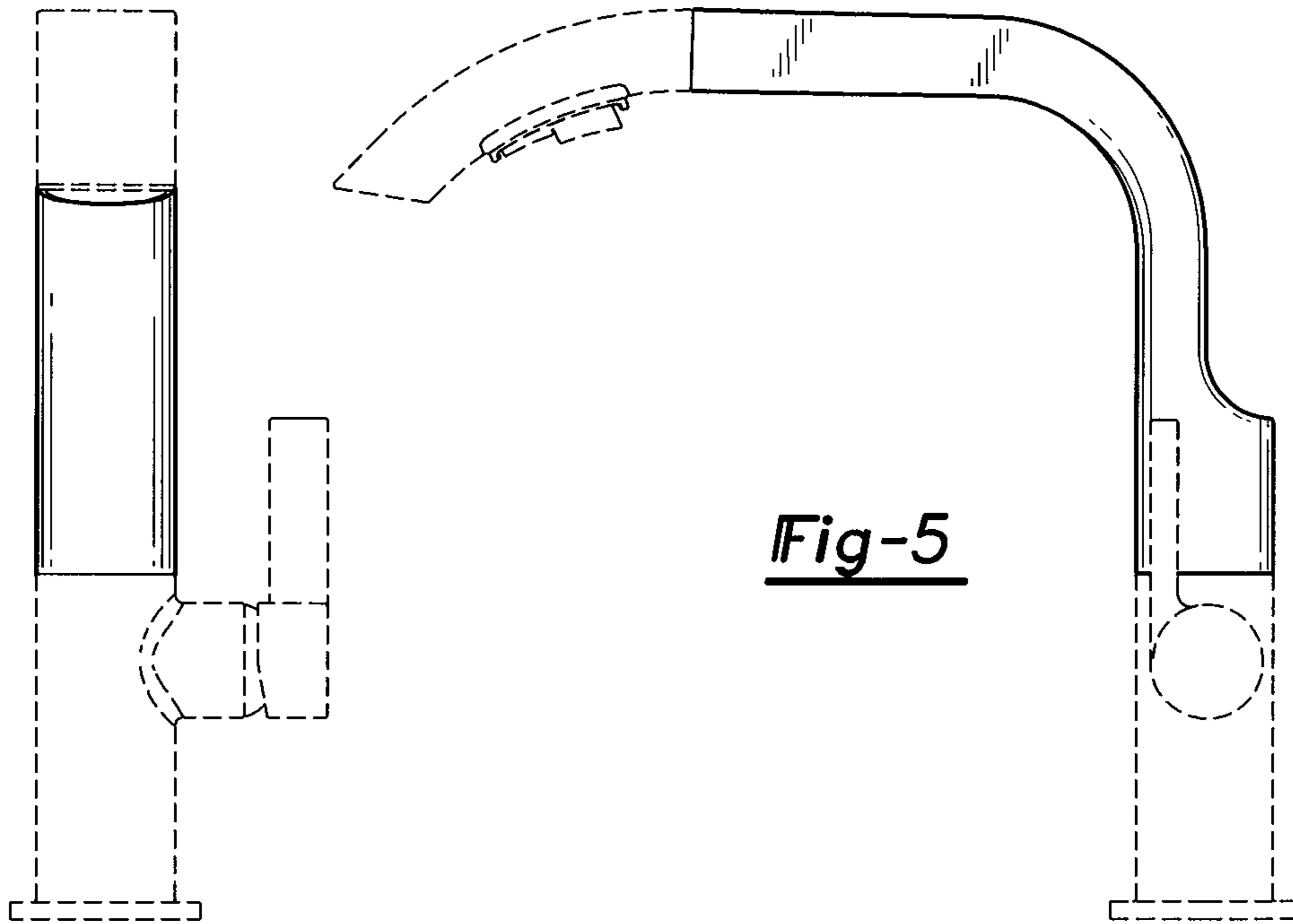


Fig-5

Fig-4

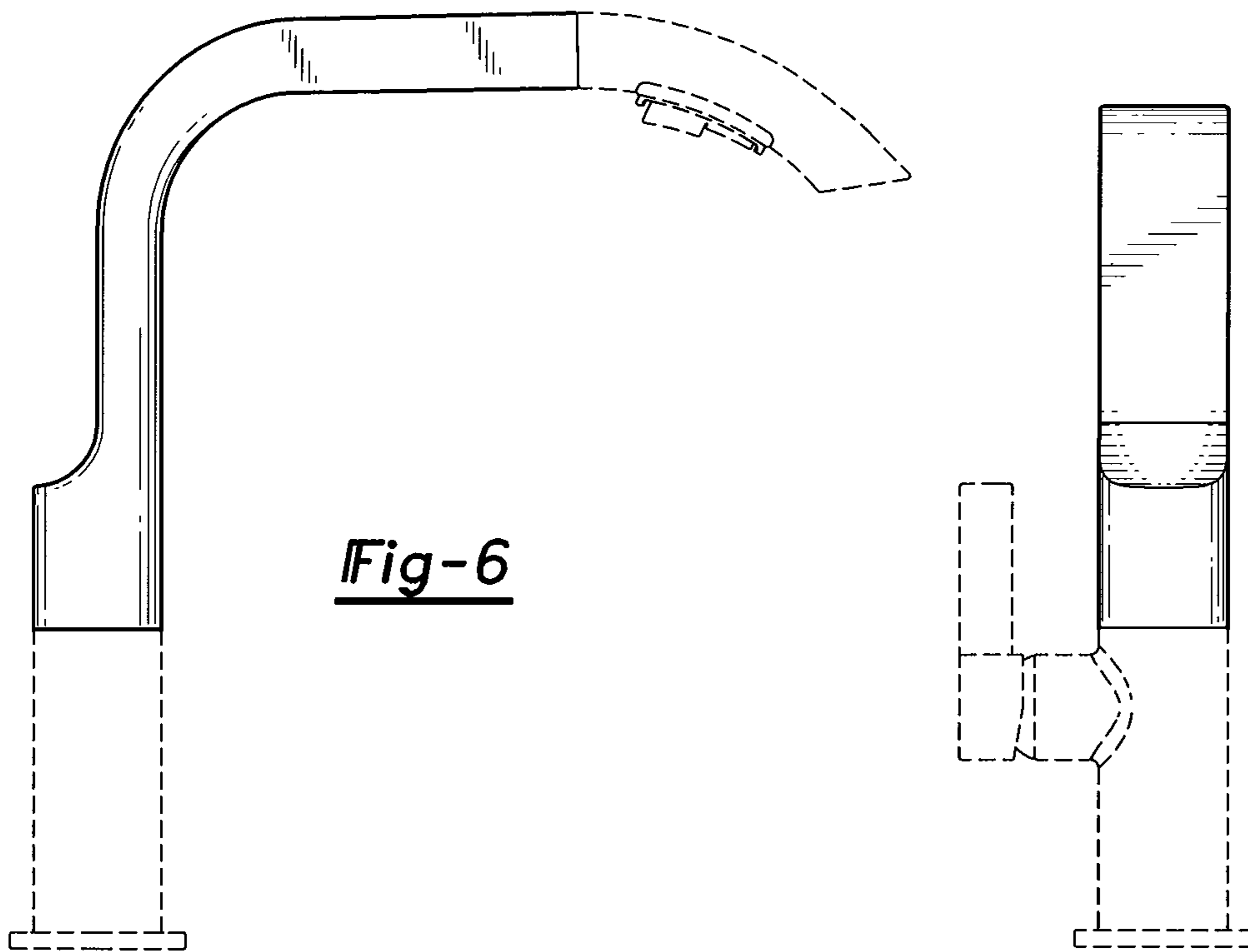


Fig-6

Fig-7