



US00D754299S

(12) **United States Design Patent**  
**Garland**

(10) **Patent No.:** **US D754,299 S**

(45) **Date of Patent:** **\*\* Apr. 19, 2016**

(54) **FAUCET HANDLE**

(71) Applicant: **Delta Faucet Company**, Indianapolis, IN (US)

(72) Inventor: **Celine Kwok Garland**, Zionsville, IN (US)

(73) Assignee: **DELTA FAUCET COMPANY**, Indianapolis, IN (US)

(\*\*) Term: **14 Years**

(21) Appl. No.: **29/514,692**

(22) Filed: **Jan. 15, 2015**

(51) **LOC (10) Cl.** ..... **23-01**

(52) **U.S. Cl.**  
USPC ..... **D23/252**

(58) **Field of Classification Search**  
USPC ..... D23/238, 241-243, 249-250, 252, 254  
CPC ..... E03C 1/04; E03C 1/0401; E03C 1/0402;  
E03C 1/0404

See application file for complete search history.

(56) **References Cited**

U.S. PATENT DOCUMENTS

D521,112 S *	5/2006	Fritz	.....	D23/241
D533,636 S *	12/2006	Chu	.....	D23/241
D533,641 S *	12/2006	Singtoroj	.....	D23/249
D578,614 S *	10/2008	Fritz	.....	D23/241

\* cited by examiner

*Primary Examiner* — Robert Delehanty

(74) *Attorney, Agent, or Firm* — Edgar A. Zarins; Nirav D. Parikh

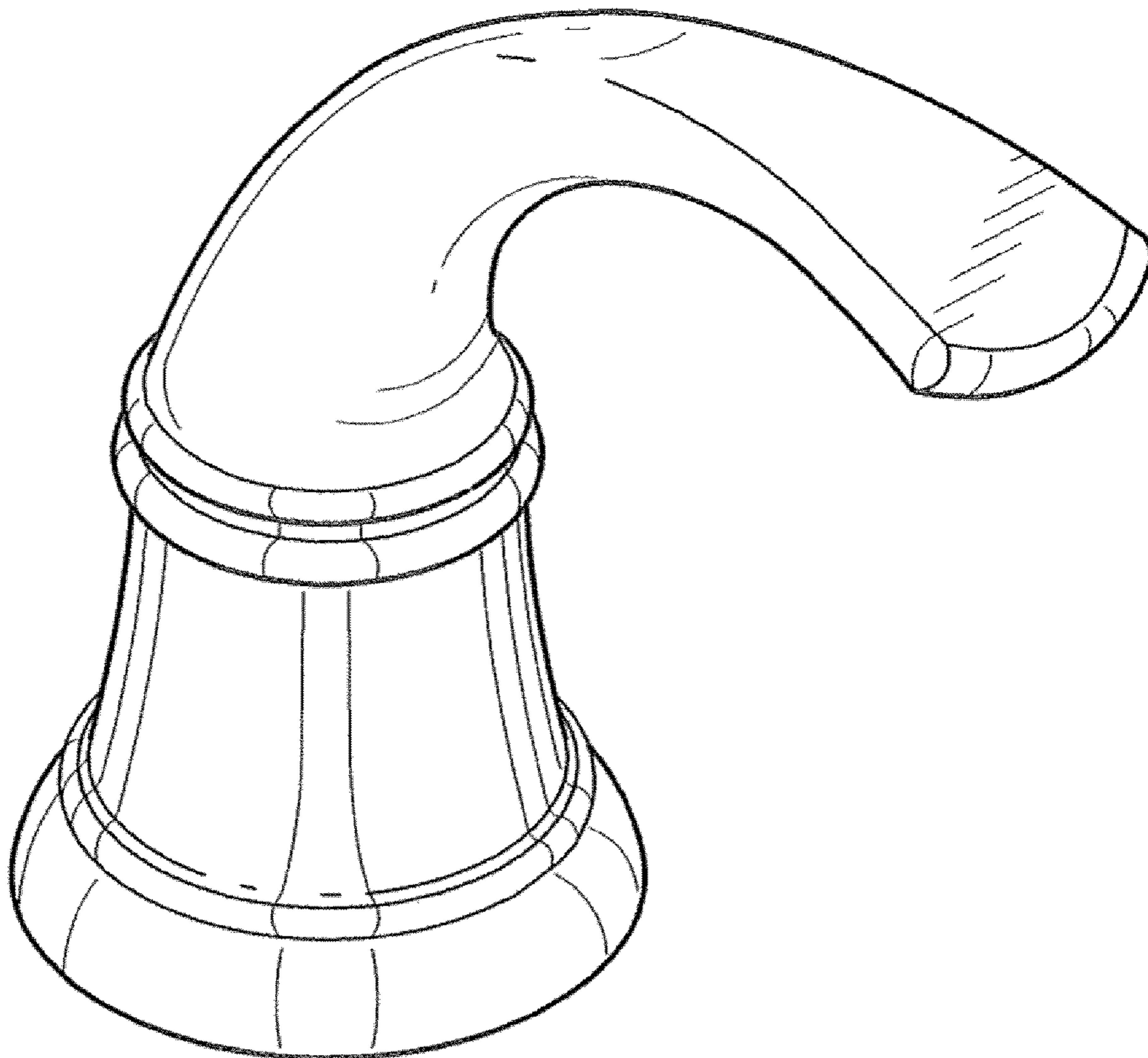
(57) **CLAIM**

The ornamental design for a faucet handle, as shown and described.

**DESCRIPTION**

FIG. 1 is a perspective view of a faucet handle showing my new design;  
FIG. 2 is a top plan view thereof;  
FIG. 3 is a bottom view thereof;  
FIG. 4 is a first end view thereof;  
FIG. 5 is a second end view thereof; and,  
FIG. 6 is a side view thereof, the opposite side being a mirror image of the side shown.

**1 Claim, 2 Drawing Sheets**



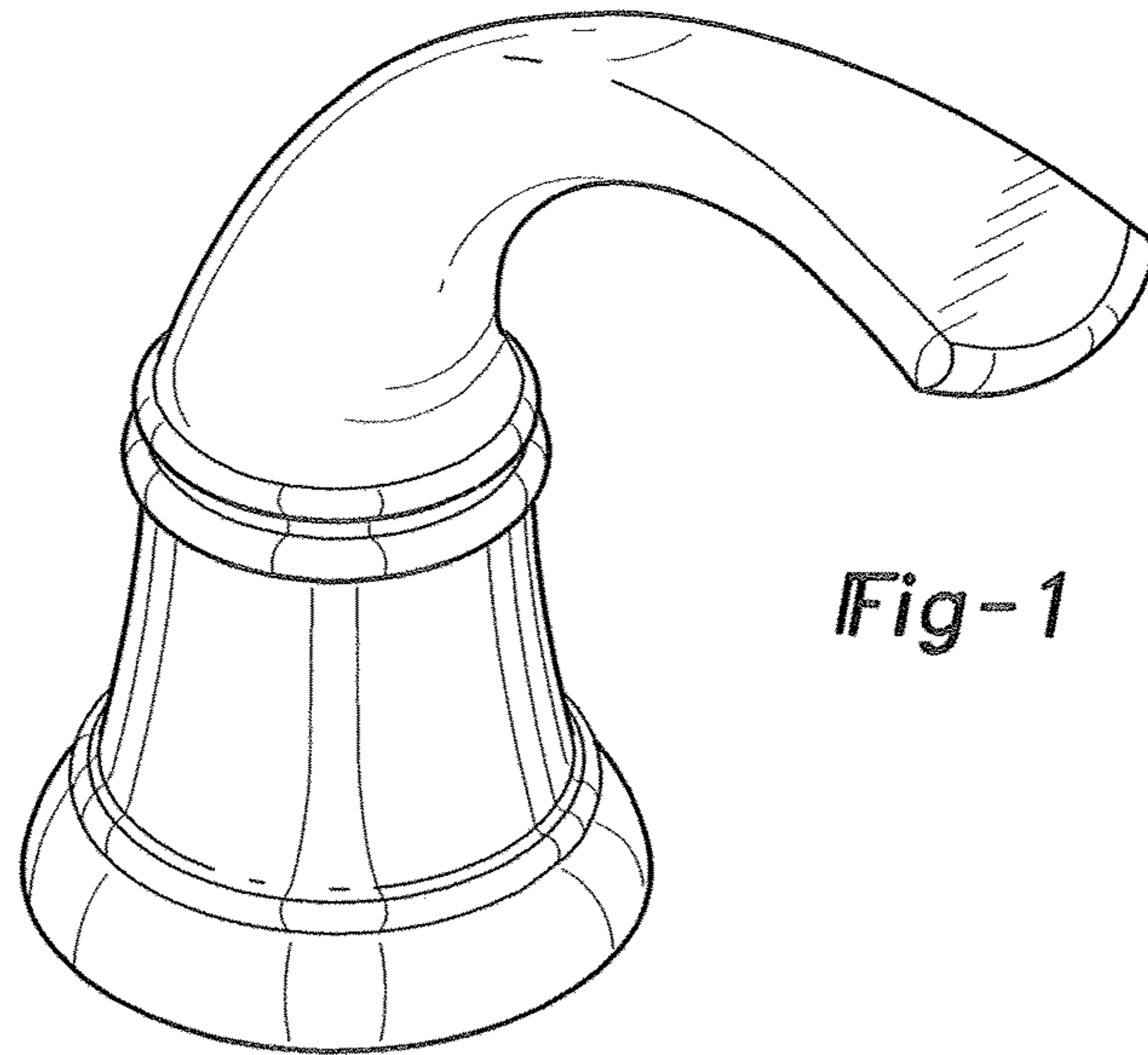


Fig-1

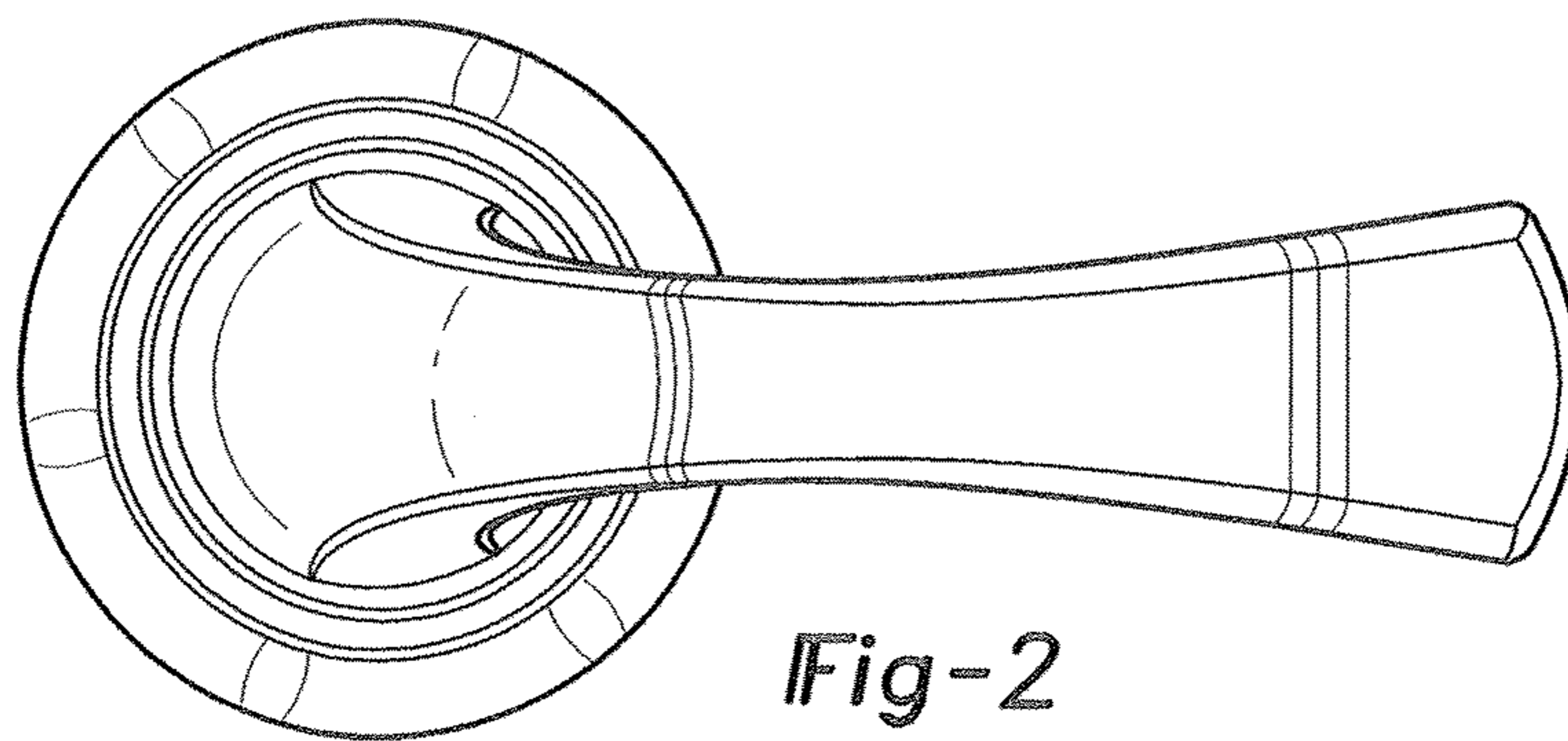


Fig-2

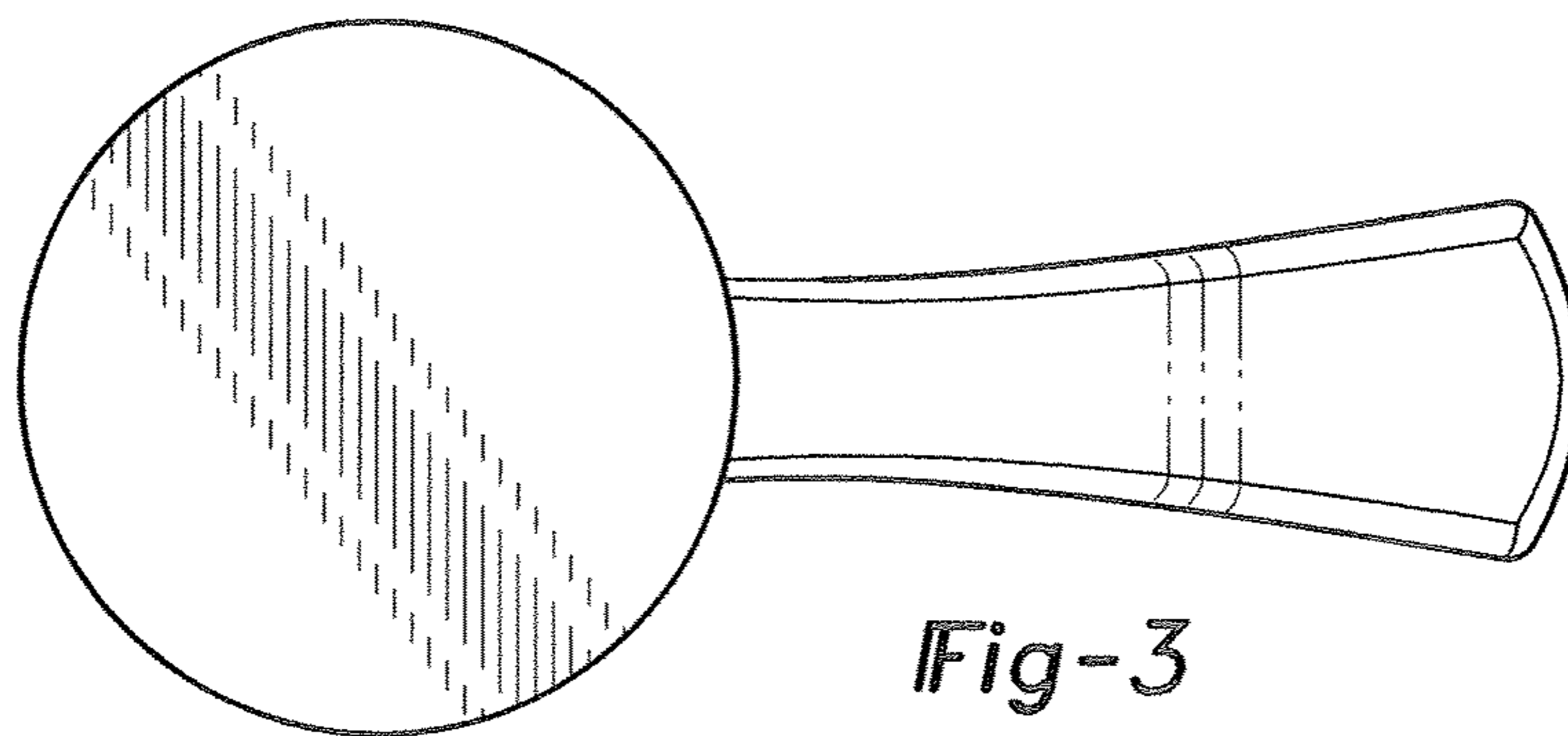
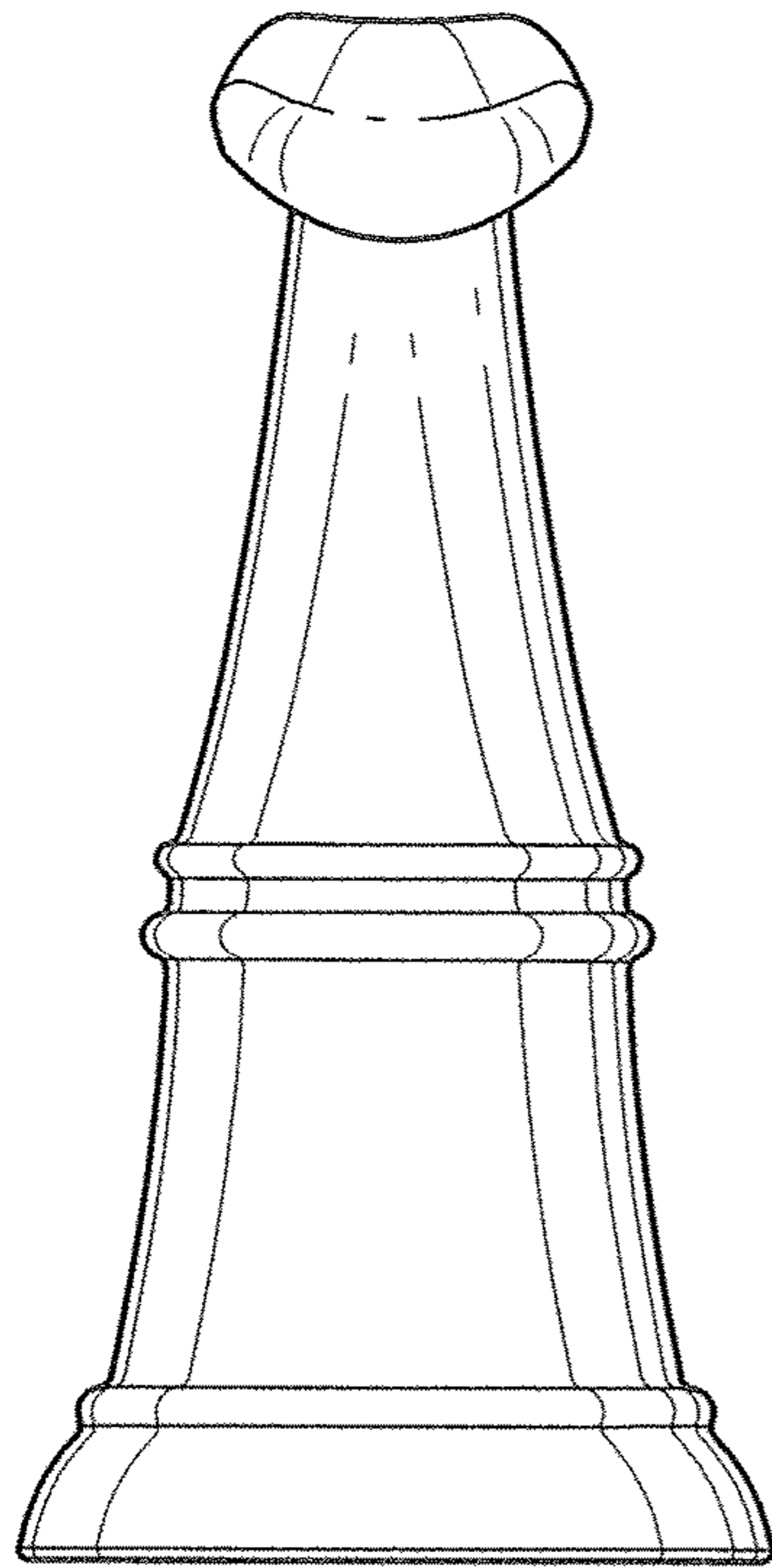
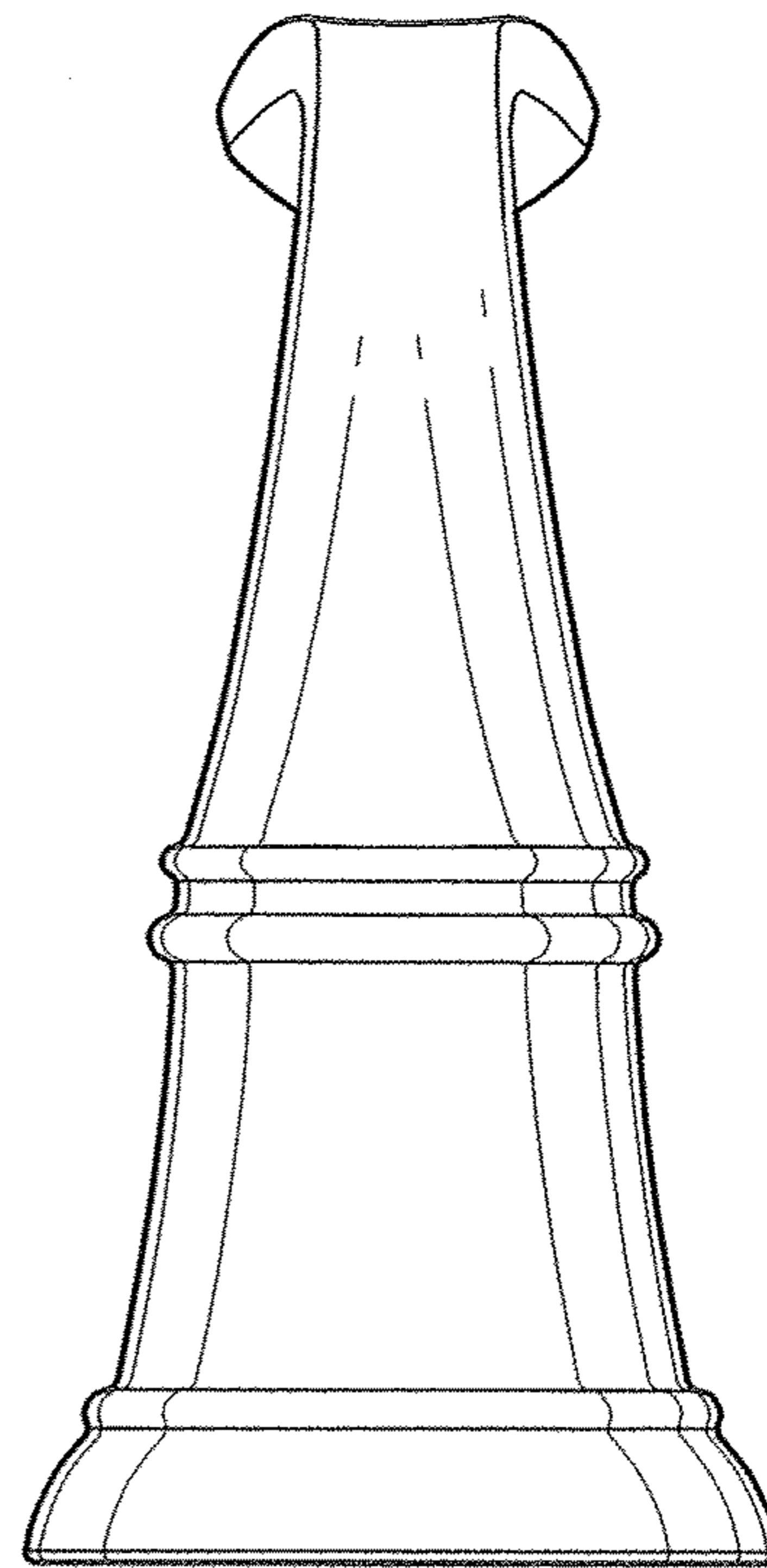


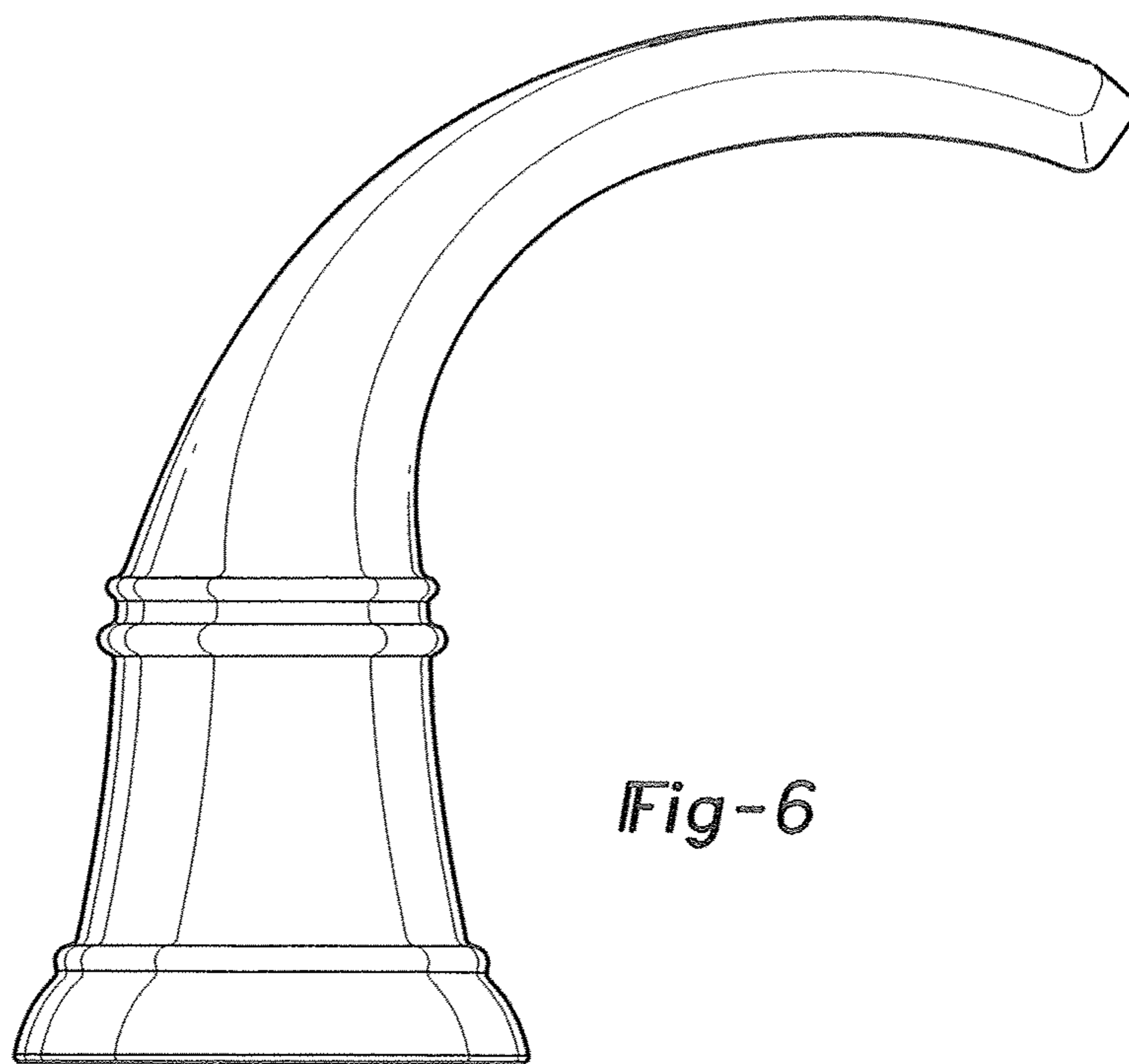
Fig-3



*Fig-4*



*Fig-5*



*Fig-6*