



US00D754297S

(12) **United States Design Patent**
Garland

(10) **Patent No.:** **US D754,297 S**

(45) **Date of Patent:** **** Apr. 19, 2016**

(54) **FAUCET**

(71) Applicant: **Delta Faucet Company**, Indianapolis, IN (US)

(72) Inventor: **Celine Kwok Garland**, Zionsville, IN (US)

(73) Assignee: **DELTA FAUCET COMPANY**, Indianapolis, IN (US)

(**) Term: **14 Years**

(21) Appl. No.: **29/514,688**

(22) Filed: **Jan. 15, 2015**

(51) **LOC (10) Cl.** **23-01**

(52) **U.S. Cl.**
USPC **D23/242**

(58) **Field of Classification Search**
USPC D23/238, 241–243, 249–250, 252, 255, D23/257
CPC E03C 1/04; E03C 1/0401; E03C 1/0402; E03C 1/0404

See application file for complete search history.

(56) **References Cited**

U.S. PATENT DOCUMENTS

D521,112 S *	5/2006	Fritz	D23/241
D533,636 S *	12/2006	Chu	D23/241
D533,641 S *	12/2006	Singtoroj	D23/249
D578,614 S *	10/2008	Fritz	D23/241
D683,429 S *	5/2013	Kwok	D23/238

* cited by examiner

Primary Examiner — Robert Delehanty

(74) *Attorney, Agent, or Firm* — Edgar A. Zarins; Nirav D. Parikh

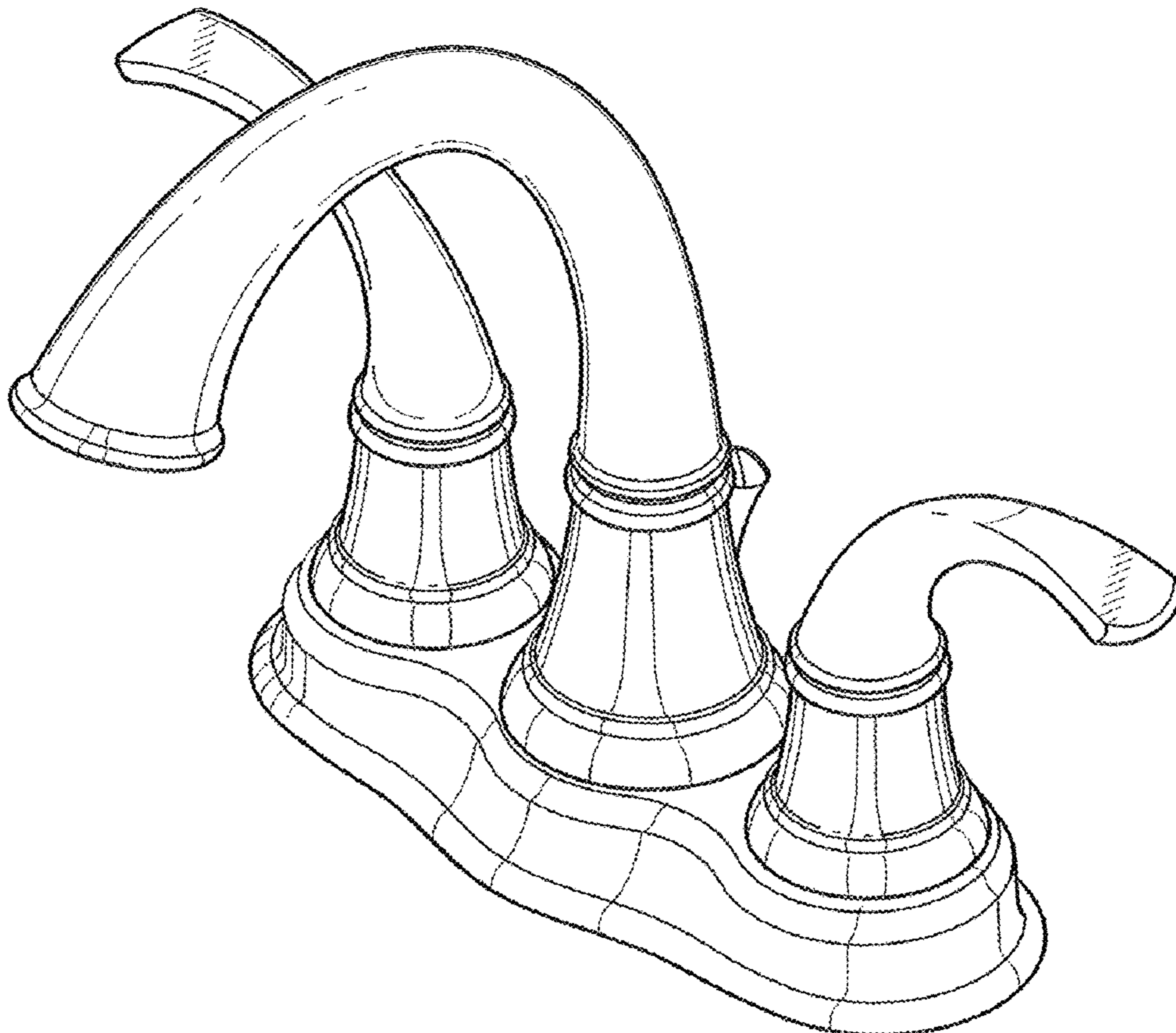
(57) **CLAIM**

The ornamental design for a faucet, as shown and described.

DESCRIPTION

FIG. 1 is a perspective view of a faucet showing my new design;
FIG. 2 is a top plan view thereof;
FIG. 3 is a front elevational view thereof;
FIG. 4 is a bottom view thereof;
FIG. 5 is a rear view thereof; and,
FIG. 6 is a left side view thereof, the opposite side being a mirror image of the side shown.

1 Claim, 3 Drawing Sheets



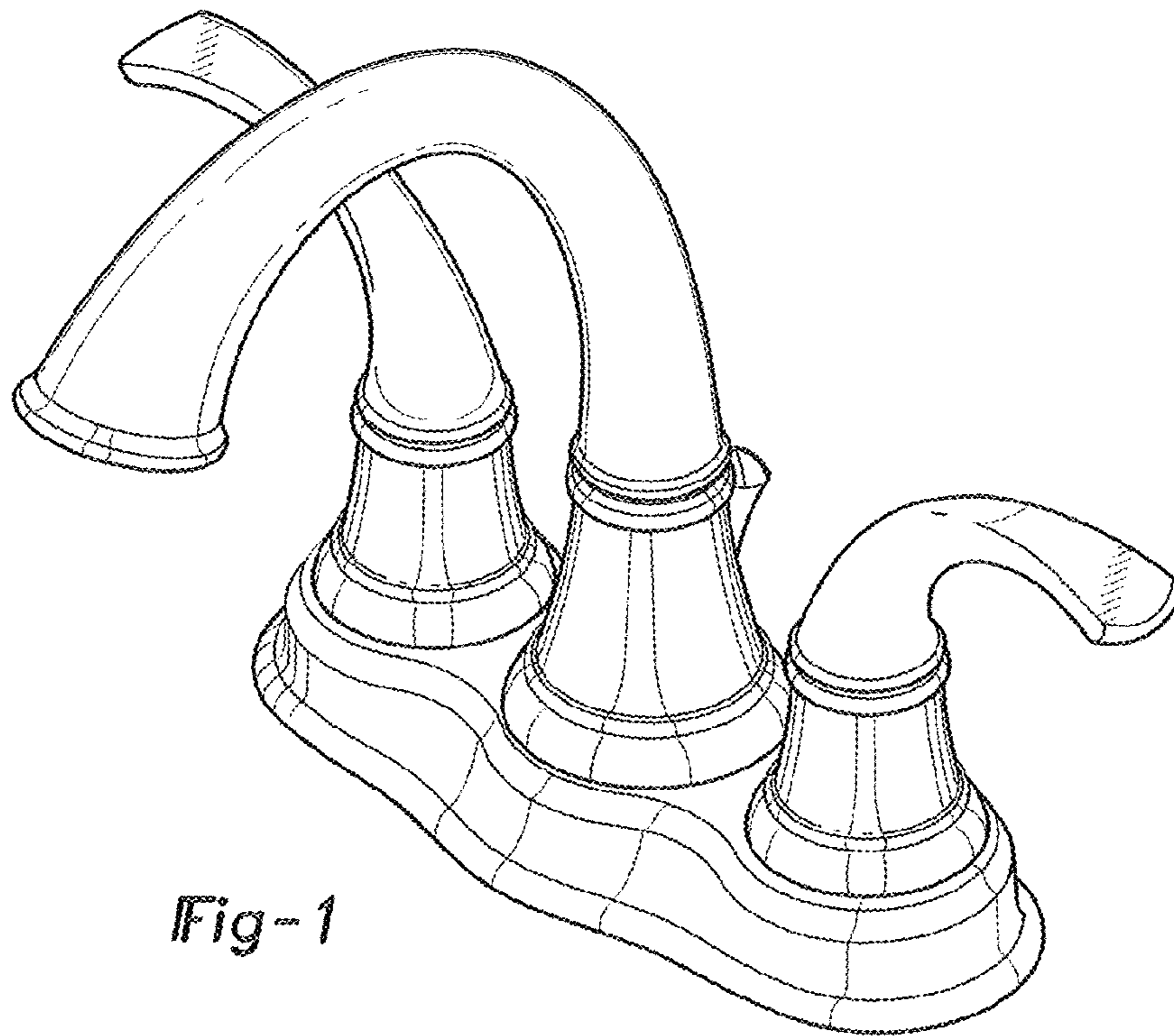


Fig-1

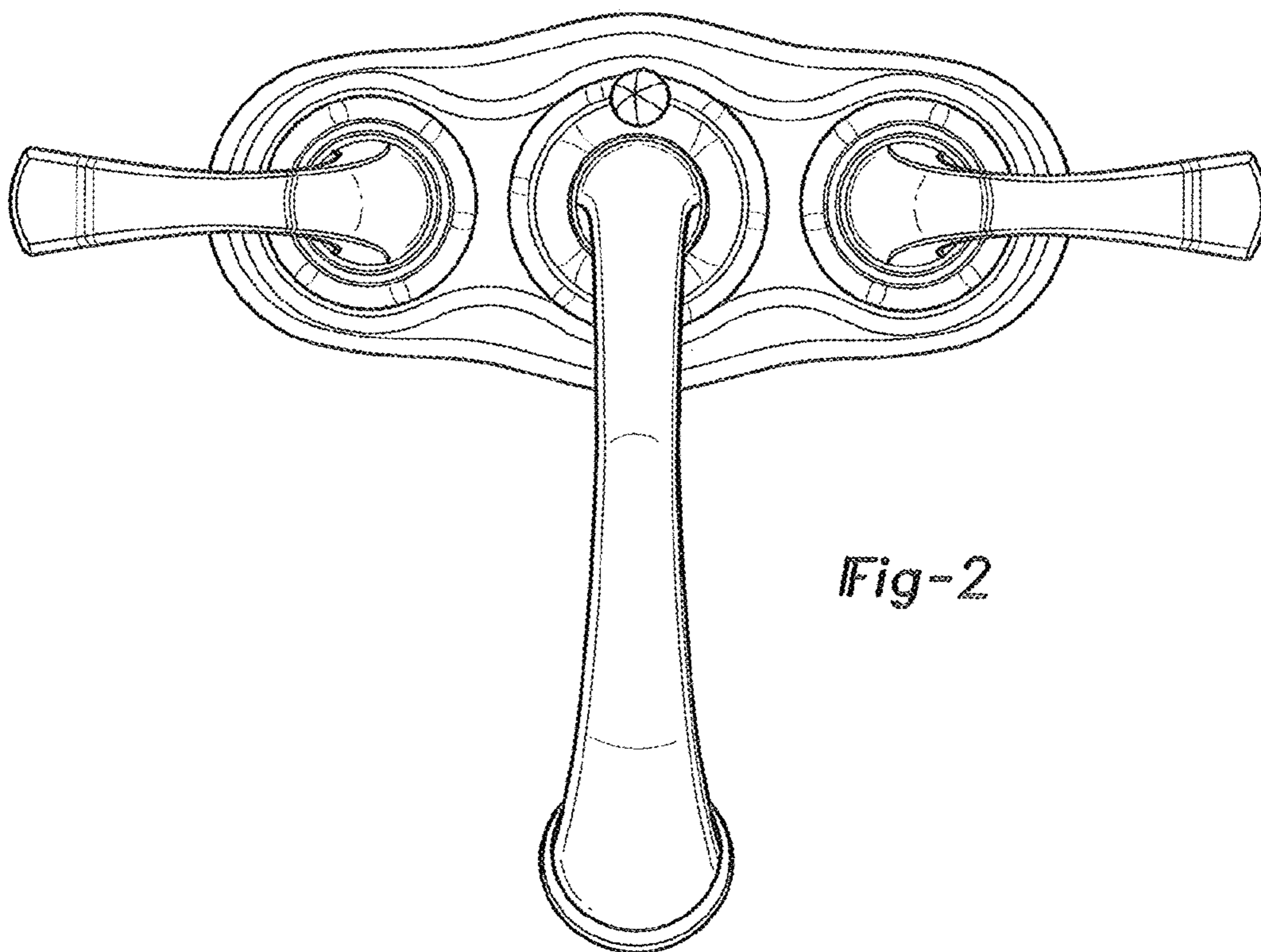


Fig-2

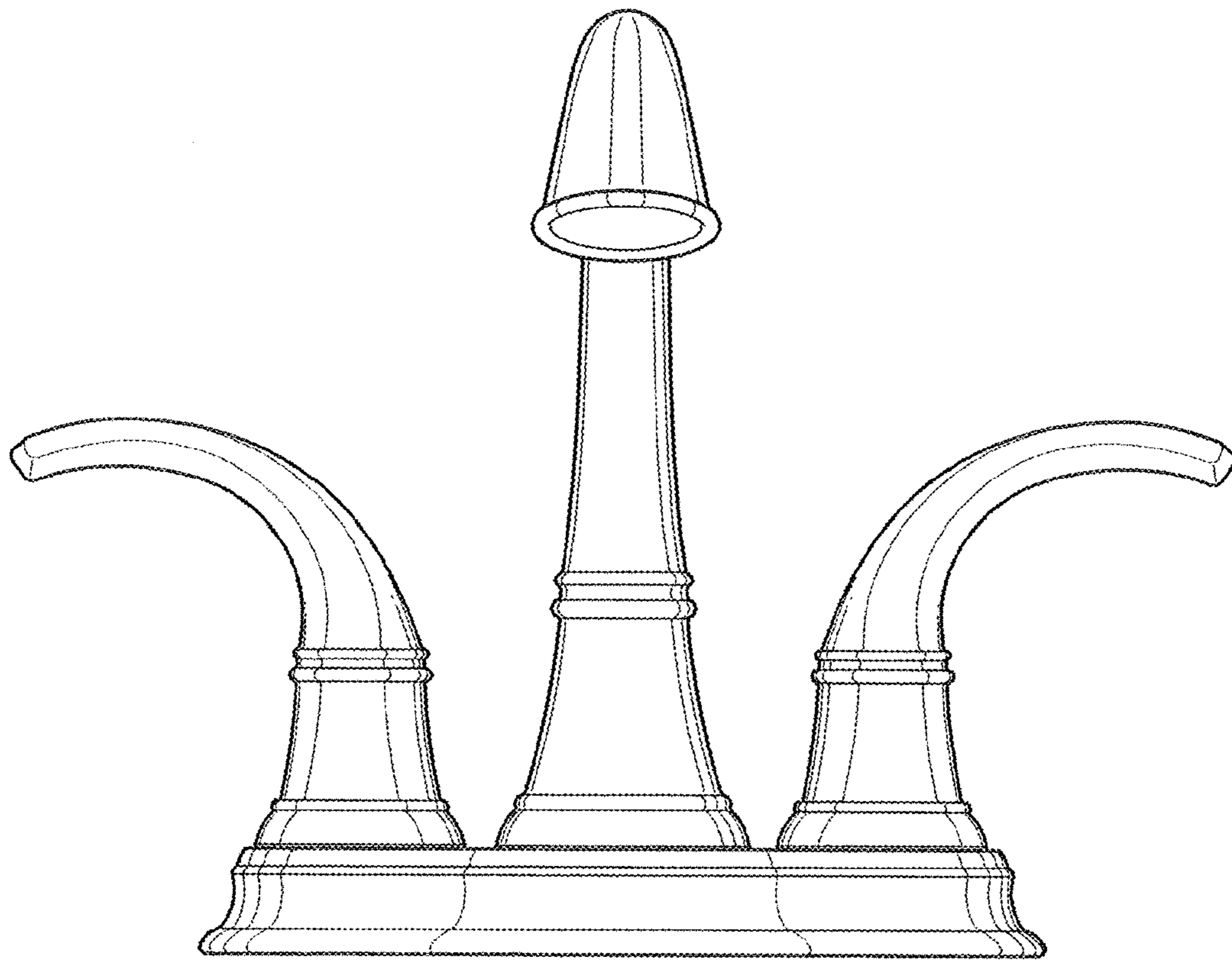


Fig-3

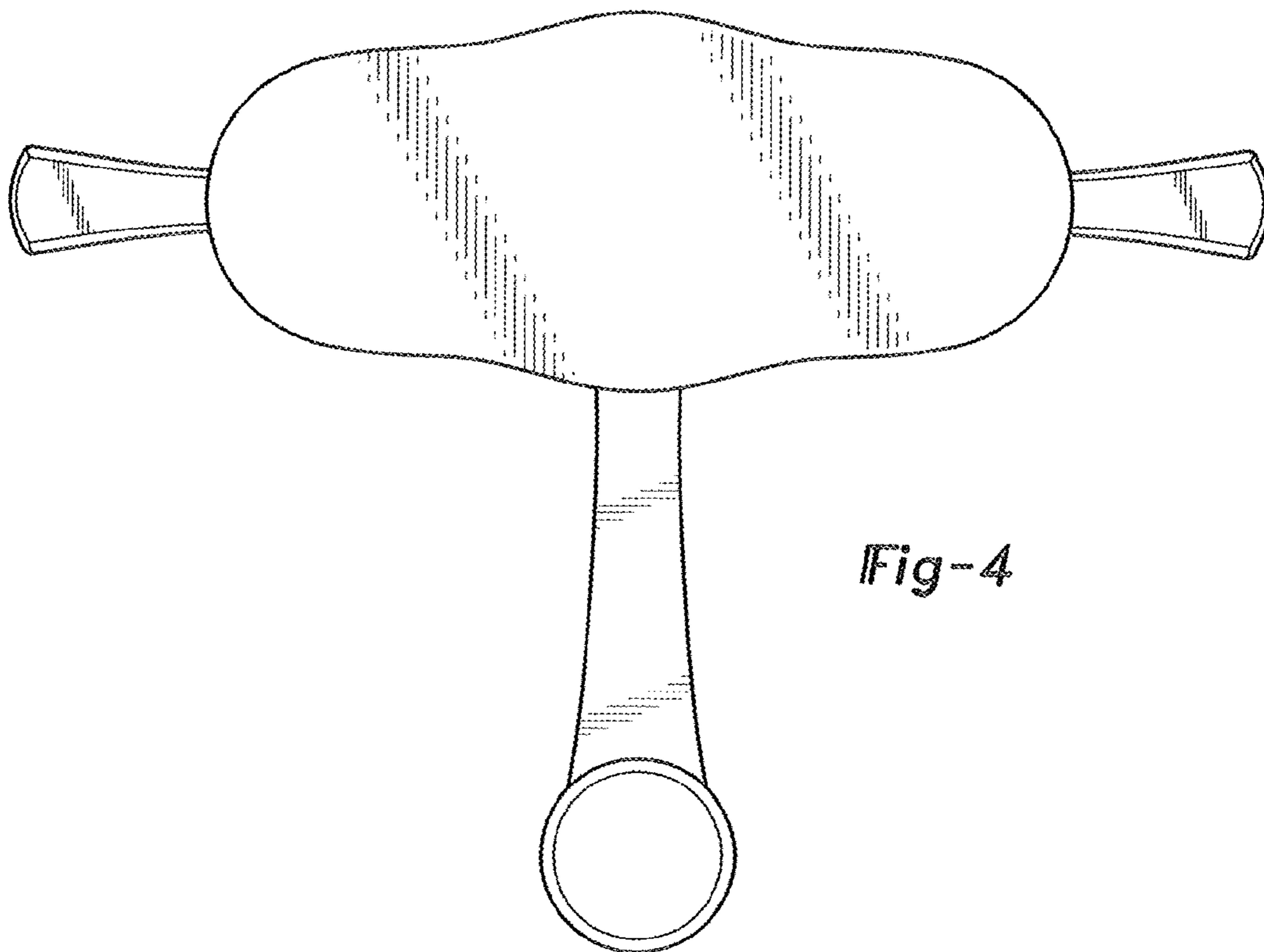


Fig-4

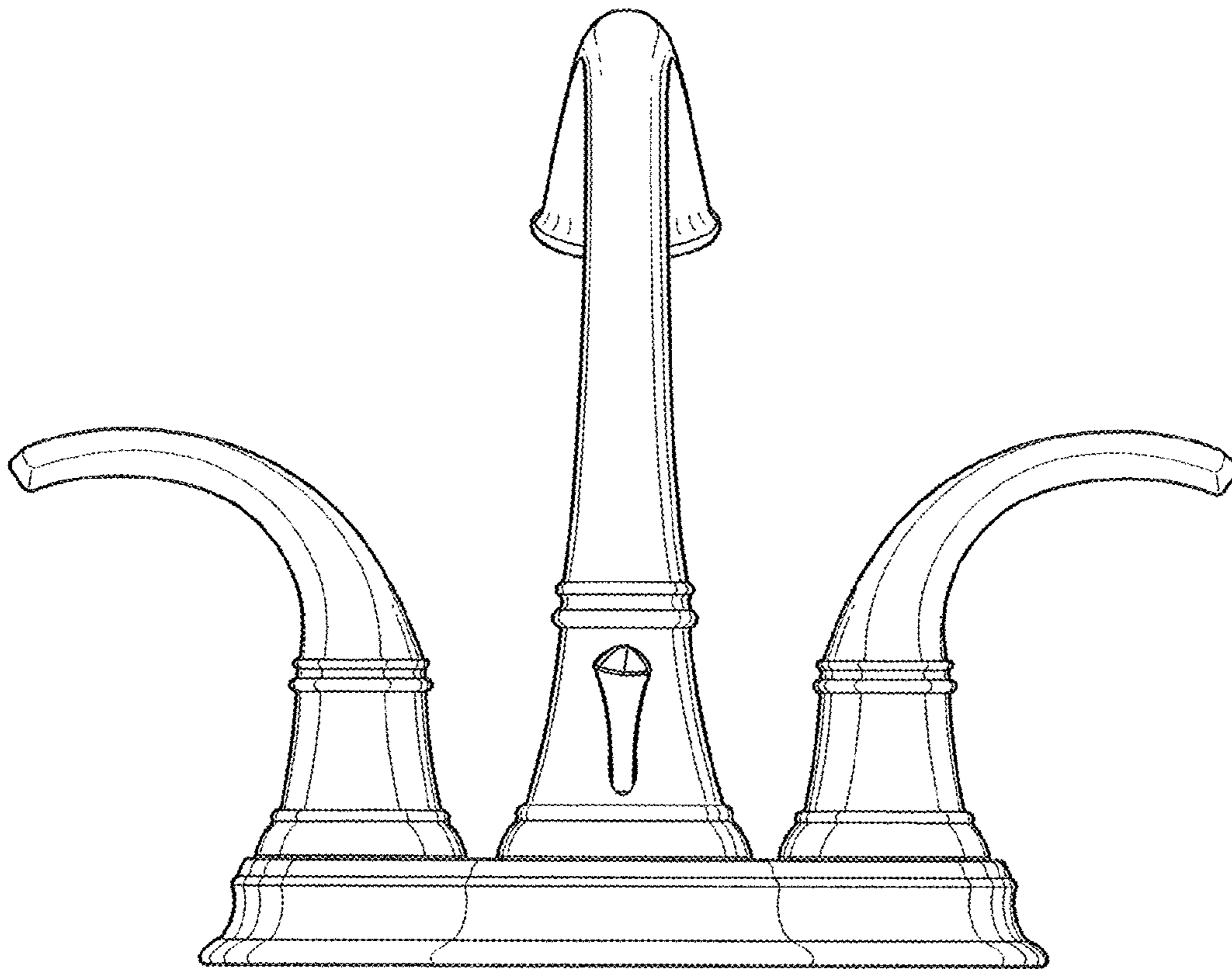


Fig-5

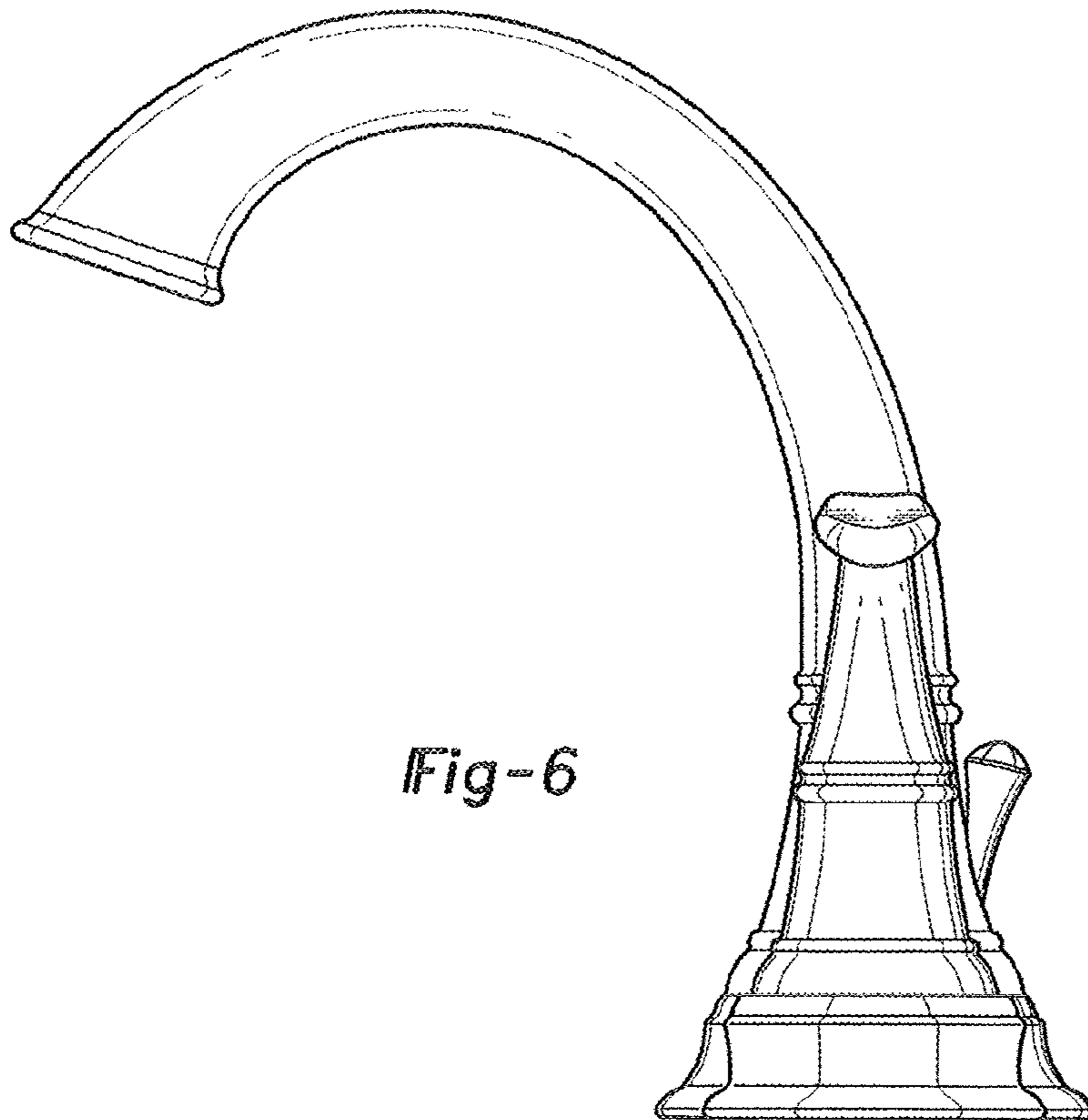


Fig-6