



US00D754294S

(12) **United States Design Patent**
Garland et al.

(10) **Patent No.:** **US D754,294 S**

(45) **Date of Patent:** **** Apr. 19, 2016**

(54) **FAUCET**

(71) Applicant: **Delta Faucet Company**, Indianapolis, IN (US)

(72) Inventors: **Celine Kwok Garland**, Zionsville, IN (US); **Thad Eads**, North Manchester, IN (US)

(73) Assignee: **DELTA FAUCET COMPANY**, Indianapolis, IN (US)

(**) Term: **14 Years**

(21) Appl. No.: **29/512,468**

(22) Filed: **Dec. 19, 2014**

(51) **LOC (10) Cl.** **23-01**

(52) **U.S. Cl.**
USPC **D23/238**

(58) **Field of Classification Search**
USPC D23/238, 249, 250, 252, 255, 257
CPC E03C 1/04; E03C 1/0401; E03C 1/0402;
E03C 1/0404; E03C 2001/0415

See application file for complete search history.

(56) **References Cited**

U.S. PATENT DOCUMENTS

D573,696 S *	7/2008	Eilmus	D23/255
D585,112 S *	1/2009	Kohler et al.	D23/238
D665,052 S *	8/2012	Wang	D23/238
D705,398 S *	5/2014	Flowers et al.	D23/238

* cited by examiner

Primary Examiner — Robert Delehanty

(74) *Attorney, Agent, or Firm* — Edgar A. Zarins; Nirav D. Parikh

(57) **CLAIM**

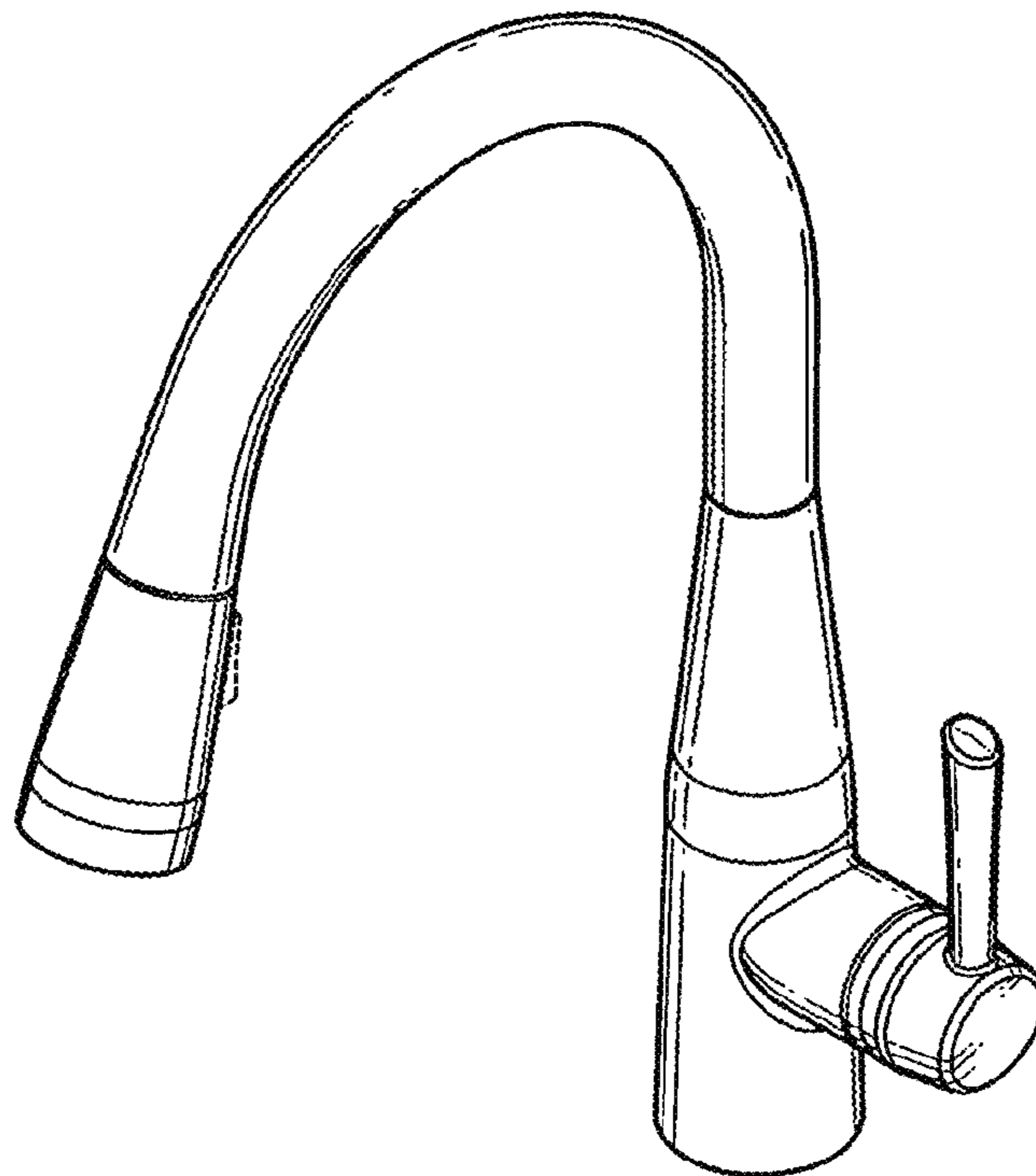
The ornamental design for a faucet, as shown and described.

DESCRIPTION

FIG. 1 is a perspective view of a faucet showing our new design;
FIG. 2 is a top plan view thereof;
FIG. 3 is a bottom view thereof;
FIG. 4 is a front elevational view thereof;
FIG. 5 is a rear view thereof;
FIG. 6 is a right side view thereof; and,
FIG. 7 is a left side view thereof.

The broken line shown in the drawing views is included for the purpose of illustrating a portion of the faucet that forms no part of the claimed design.

1 Claim, 3 Drawing Sheets



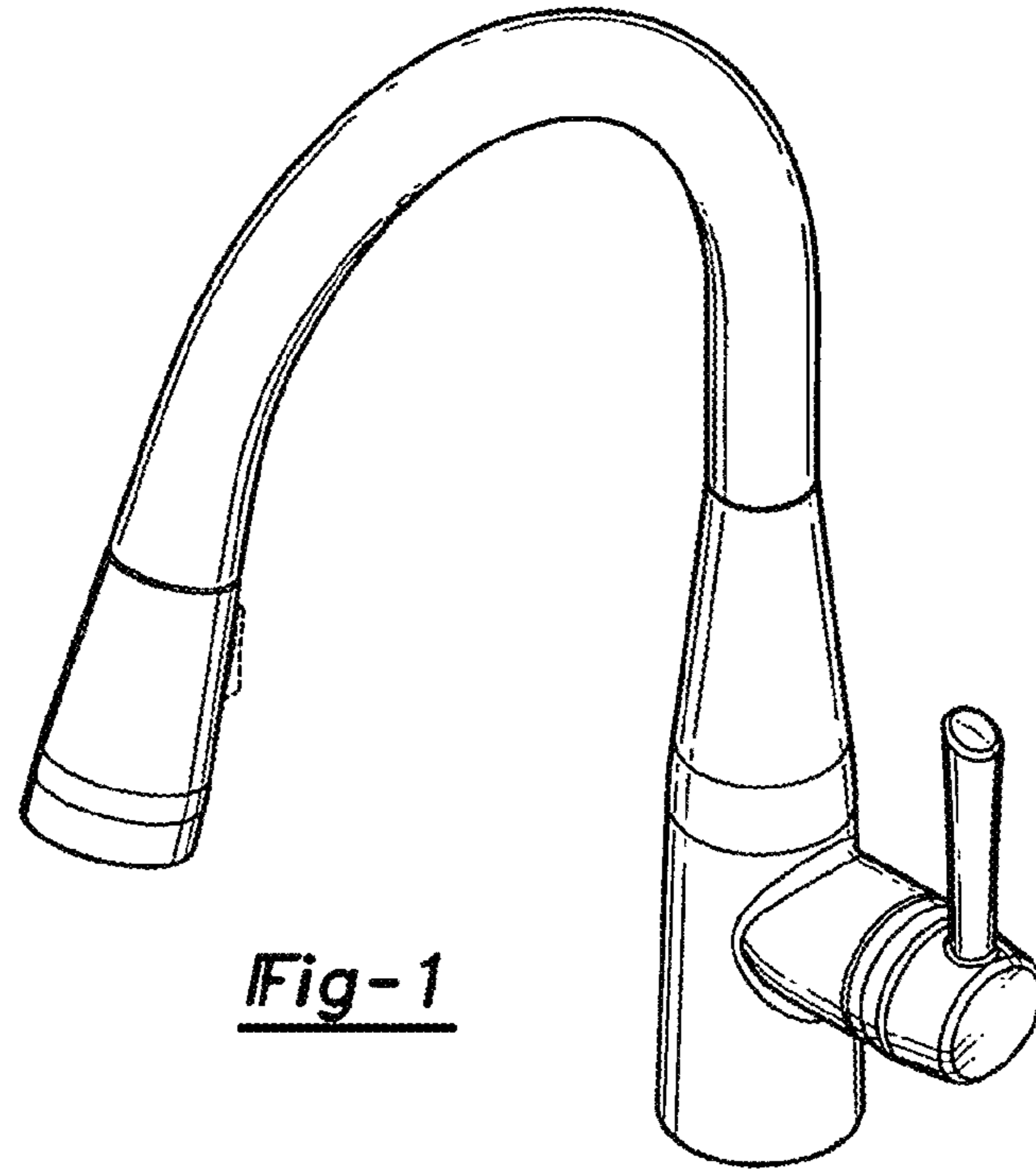


Fig-1

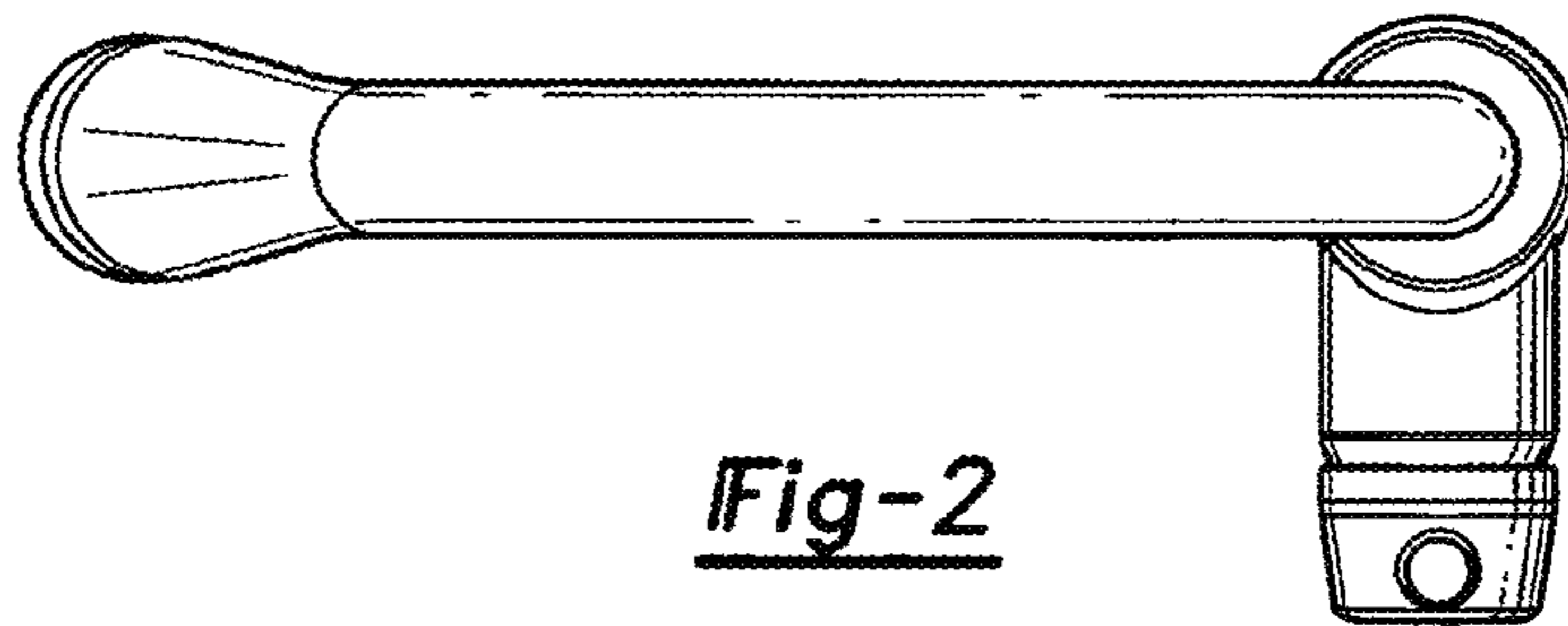


Fig-2



Fig-3

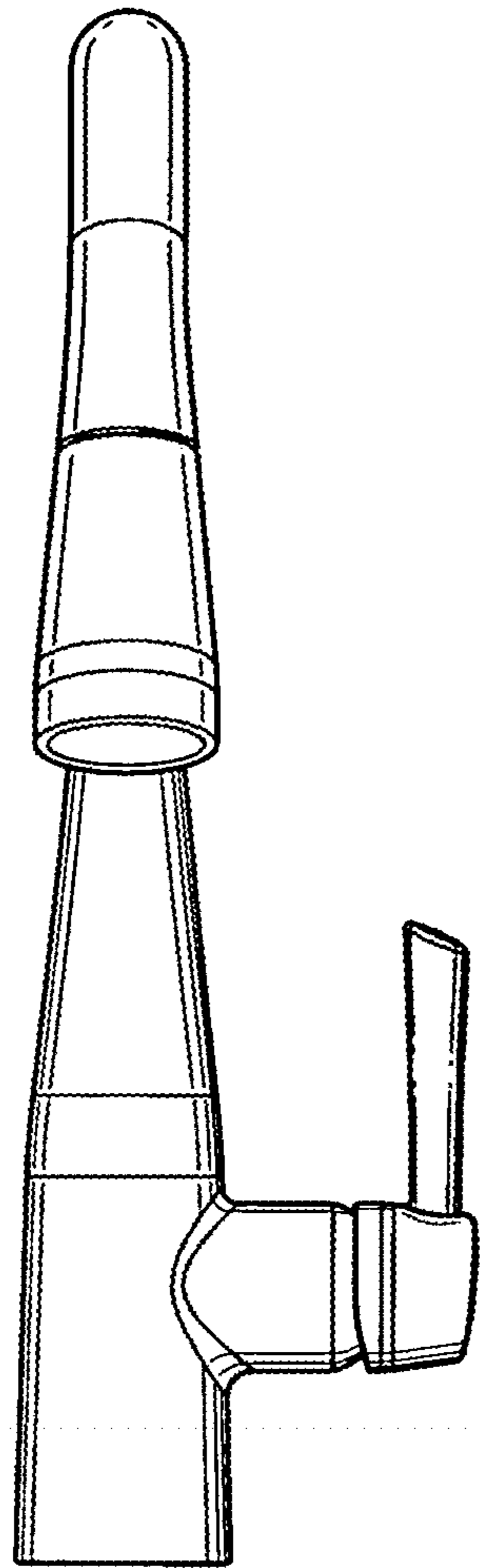


Fig-4

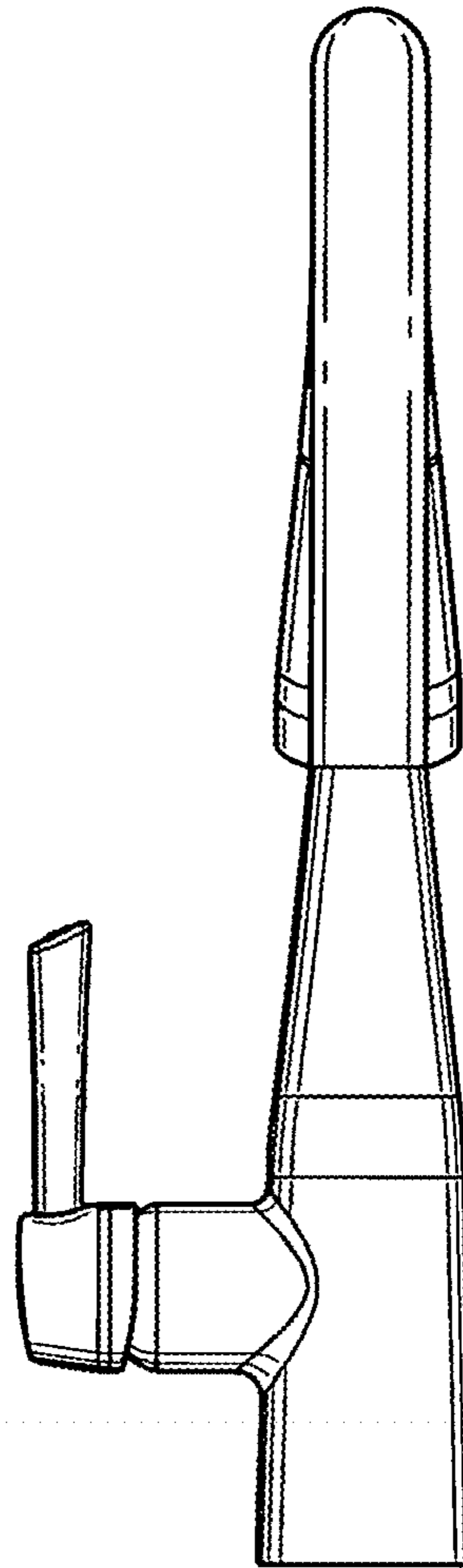


Fig-5

