



US00D754293S

(12) **United States Design Patent**  
**Mangold**

(10) **Patent No.:** **US D754,293 S**

(45) **Date of Patent:** **\*\* Apr. 19, 2016**

(54) **VALVE ACTUATOR**

(71) Applicant: **FESTO AG & Co. KG**, Esslingen (DE)

(72) Inventor: **Simone Mangold**, Esslingen (DE)

(73) Assignee: **FESTO AG & CO. KG**, Esslingen (DE)

(\*\*) Term: **15 Years**

(21) Appl. No.: **29/530,752**

(22) Filed: **Jun. 19, 2015**

(30) **Foreign Application Priority Data**

Dec. 23, 2014 (WO) ..... 861956001

(51) **LOC (10) Cl.** ..... **23-01**

(52) **U.S. Cl.**  
USPC ..... **D23/233**

(58) **Field of Classification Search**

USPC ..... D23/233-269, 213; 137/487.5, 12, 14,  
137/554, 556, 553; 251/129.12, 129.02,  
251/129.03, 291, 292, 128, 129.11, 304,  
251/129.13, 111, 93, 101, 97; D13/158,  
D13/162, 164, 177, 184, 199

CPC ..... F16K 31/0675; F16K 31/00; F16K 31/12  
See application file for complete search history.

(56) **References Cited**

**U.S. PATENT DOCUMENTS**

D322,657 S \* 12/1991 Aarthun ..... D23/233  
D363,761 S \* 10/1995 Eggleston ..... D23/233  
6,073,907 A \* 6/2000 Schreiner, Jr. .... F16K 31/043  
251/129.02

D461,873 S \* 8/2002 Myran ..... D23/233  
7,048,251 B2 \* 5/2006 Schreiner ..... F16K 31/055  
251/111

D638,521 S 5/2011 Matusche  
D691,240 S \* 10/2013 Iranyi ..... D23/233  
D691,701 S \* 10/2013 Iranyi ..... D23/233  
8,632,054 B2 \* 1/2014 Carlson ..... F16K 31/44  
251/128

D701,943 S 4/2014 Gaertner

**OTHER PUBLICATIONS**

“System 8802 Continuous Classic” of Christian Burkert GmbH & Co, KG.

\* cited by examiner

*Primary Examiner* — Cynthia Ramirez

*Assistant Examiner* — Gino Colan

(74) *Attorney, Agent, or Firm* — Hoffmann & Baron, LLP

(57) **CLAIM**

The ornamental design for a valve actuator, as shown and described.

**DESCRIPTION**

FIG. 1 is a top perspective view of a valve actuator showing my new design;

FIG. 2 is a front view thereof;

FIG. 3 is a rear view thereof;

FIG. 4 is a left view thereof;

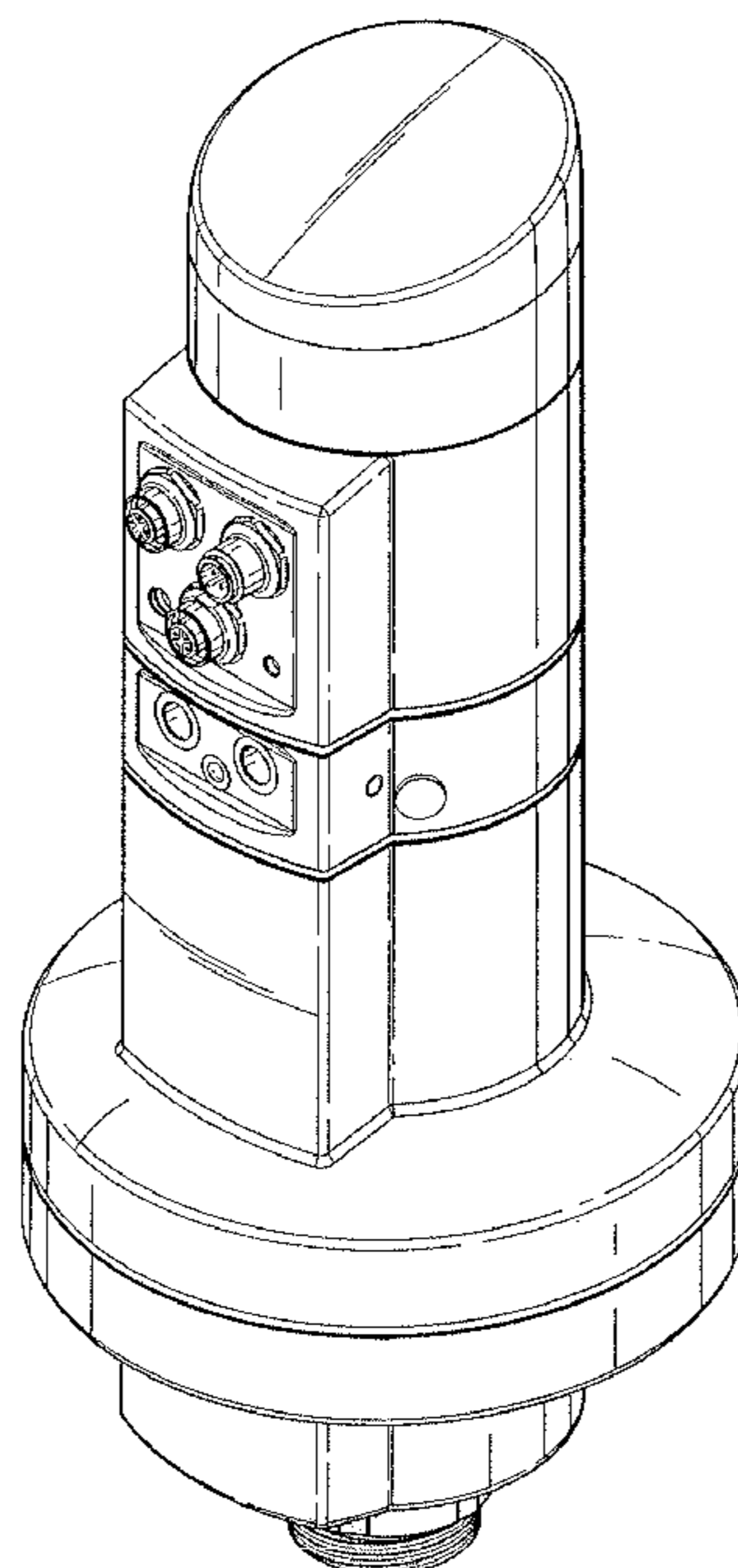
FIG. 5 is a right view thereof;

FIG. 6 is a top plan view thereof; and,

FIG. 7 is a bottom plan view thereof.

The broken line shown in the figures are included for the purpose of illustrating portions of the valve actuator and form no part of the claimed design.

**1 Claim, 7 Drawing Sheets**



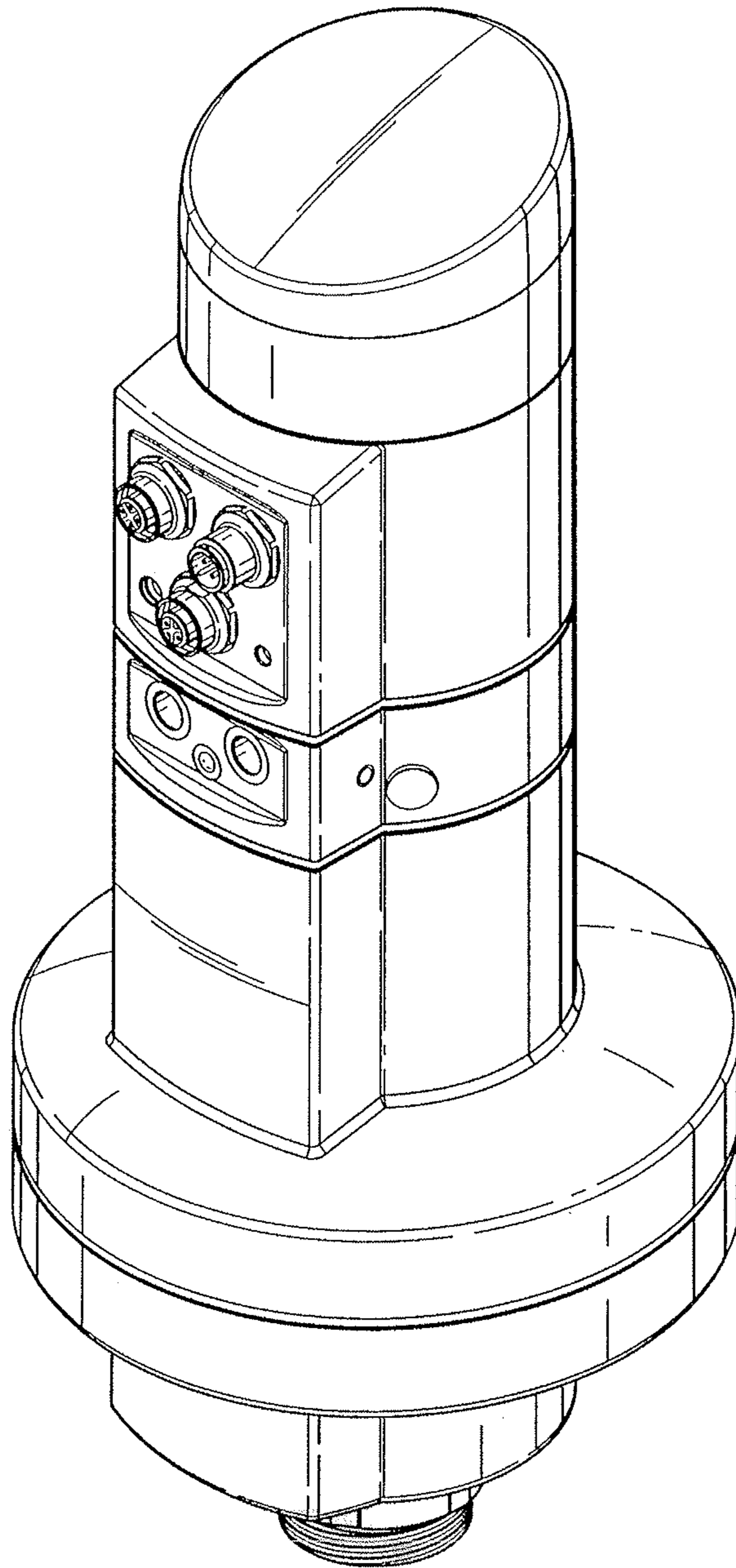


FIG. 1

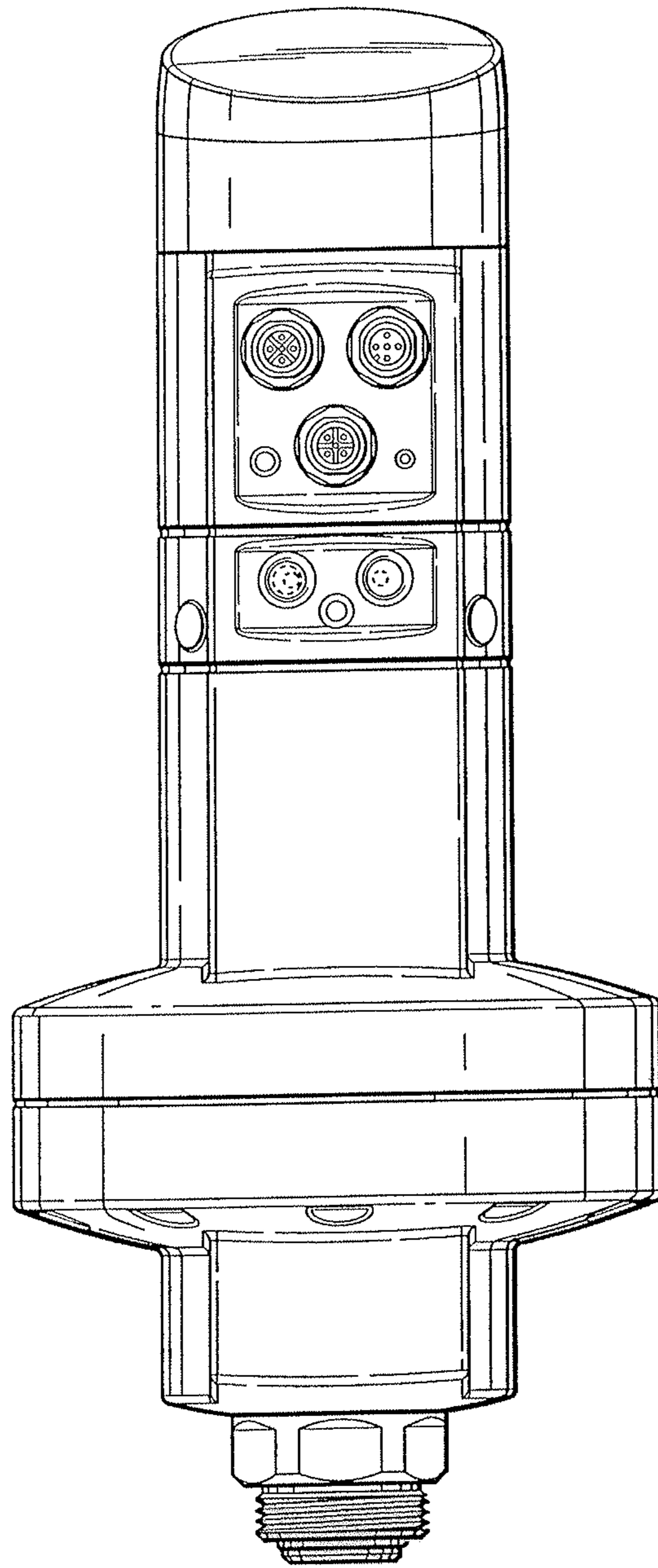


FIG. 2

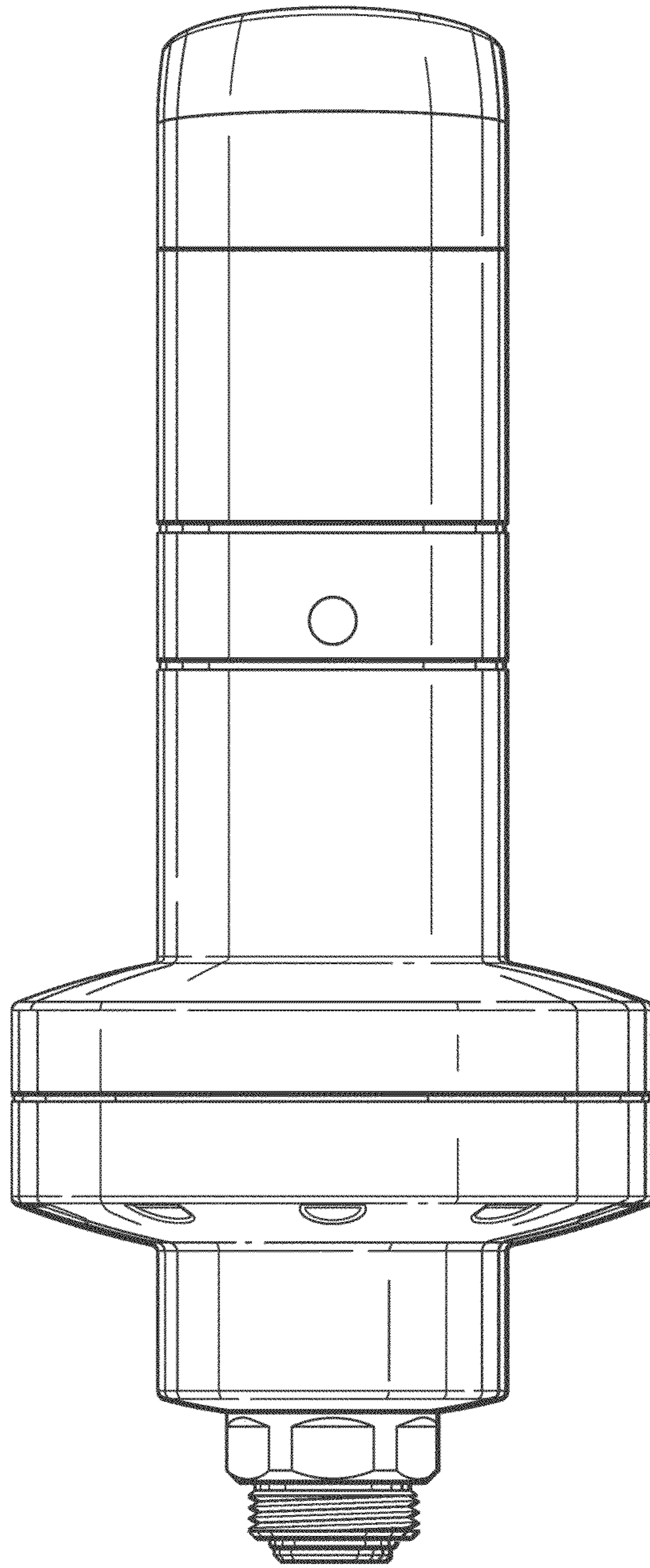


FIG. 3

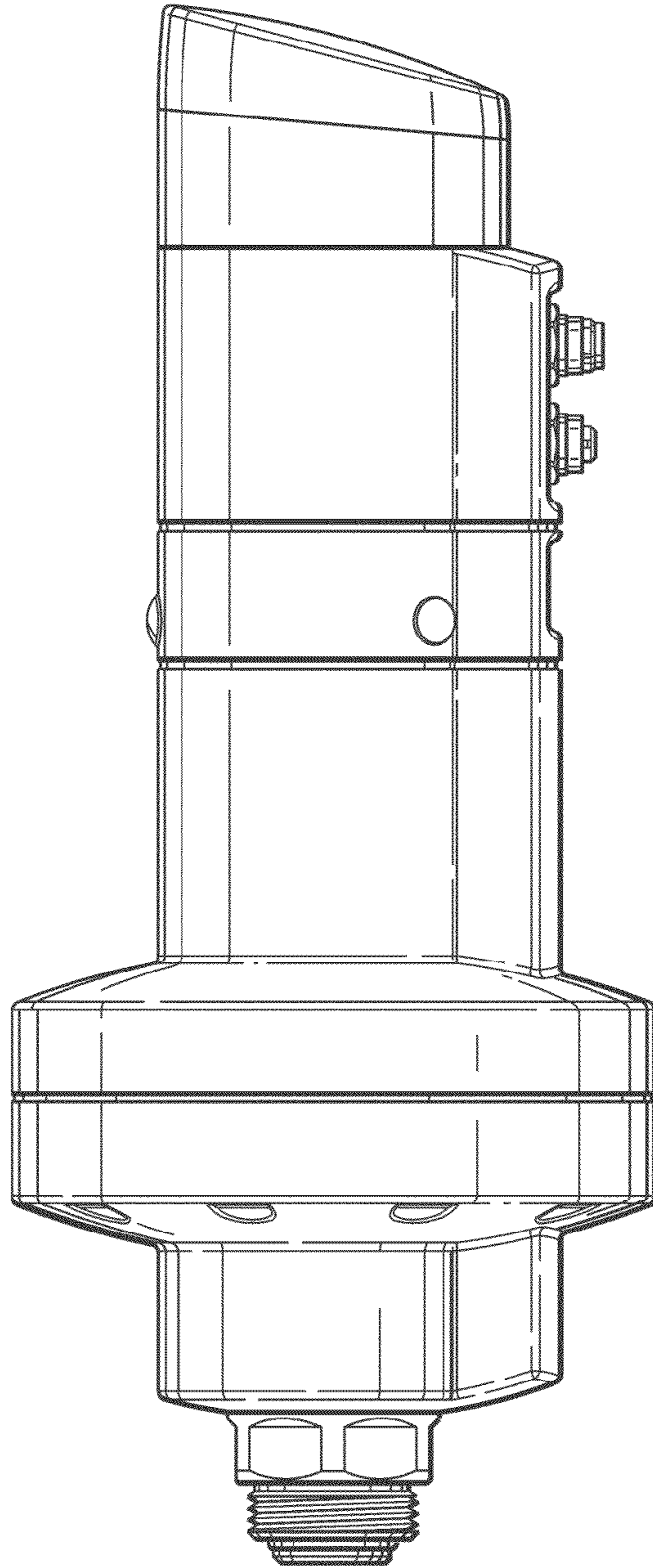


FIG. 4

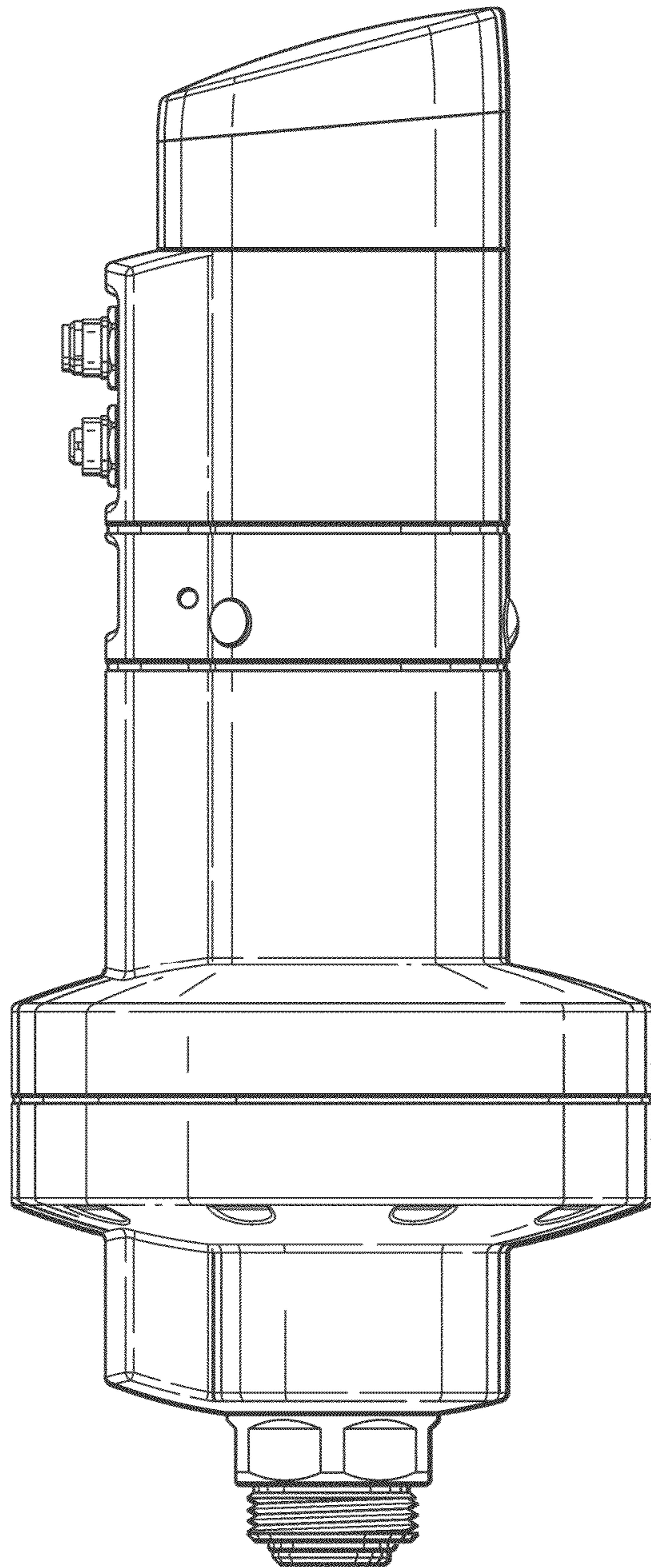


FIG. 5

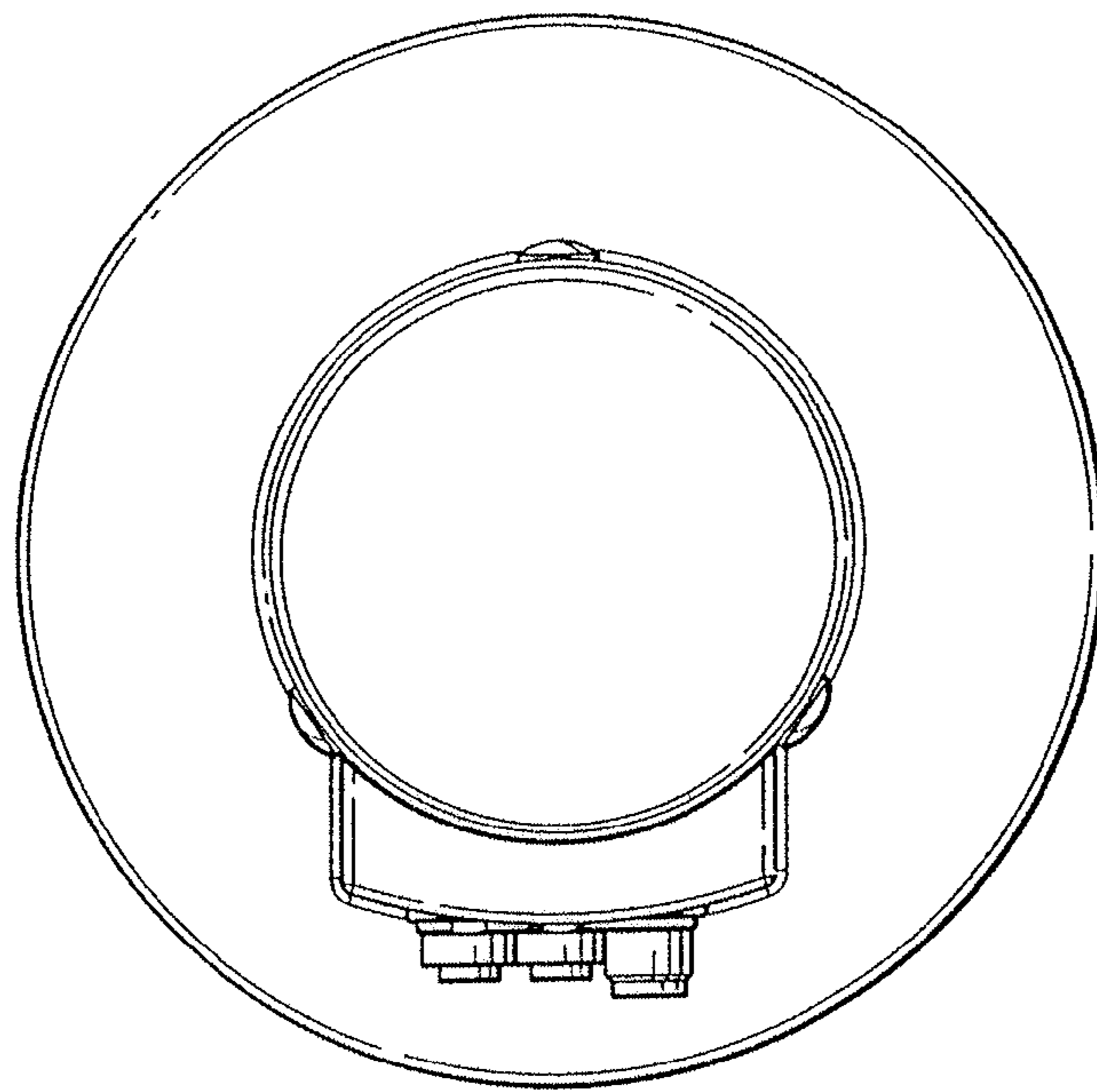


FIG. 6

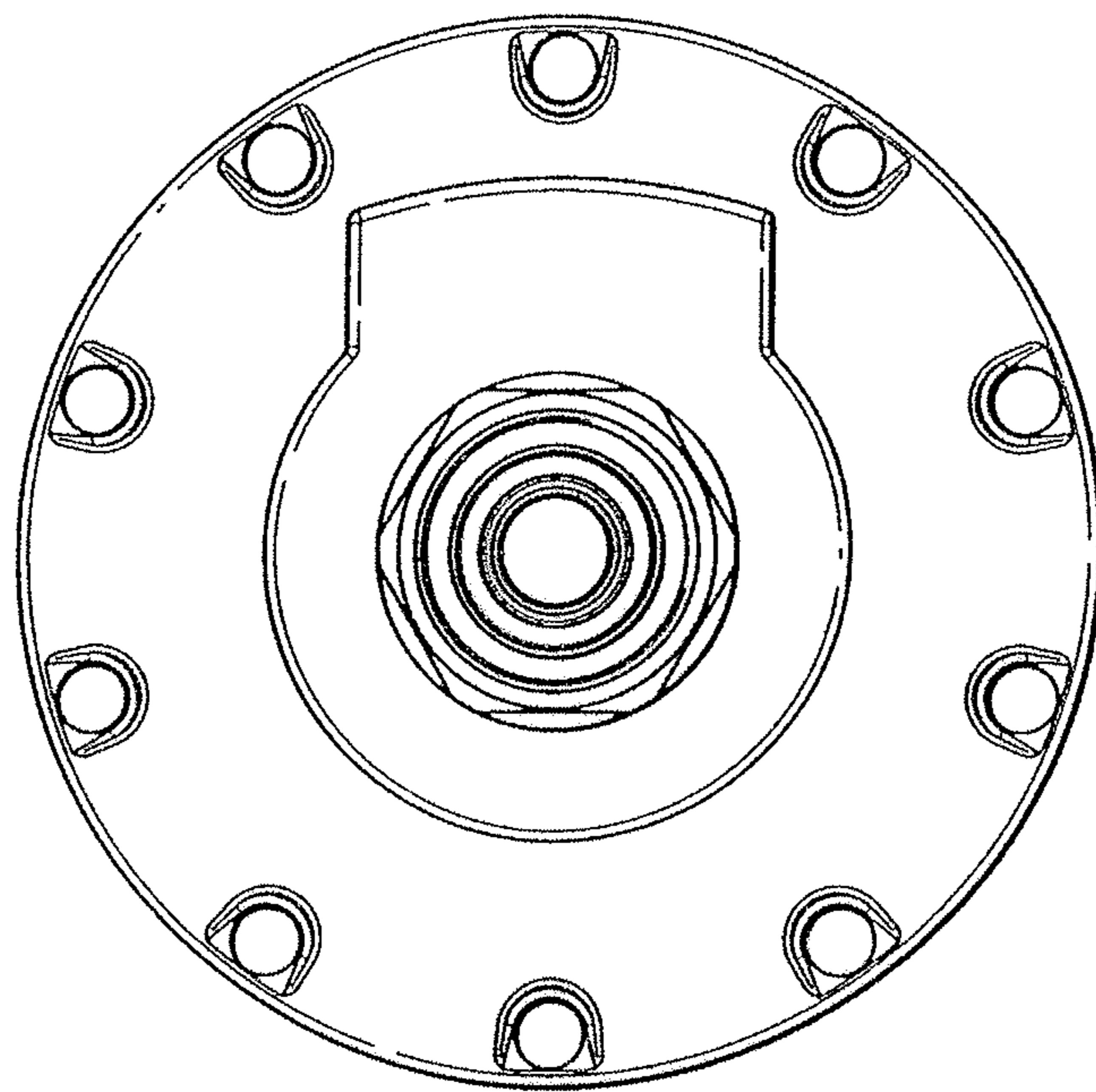


FIG. 7