



US00D754292S

(12) **United States Design Patent**
Mangold

(10) **Patent No.:** **US D754,292 S**
(45) **Date of Patent:** **** Apr. 19, 2016**

(54) **VALVE ACTUATOR**
(71) Applicant: **FESTO AG & Co. KG**, Esslingen (DE)
(72) Inventor: **Simone Mangold**, Esslingen (DE)
(73) Assignee: **FESTO AG & CO. KG**, Esslingen (DE)
(**) Term: **15 Years**

7,048,251 B2 * 5/2006 Schreiner F16K 31/055
251/111
D638,521 S 5/2011 Matusche
D691,240 S * 10/2013 Iranyi D23/233
D691,701 S * 10/2013 Iranyi D23/233
8,632,054 B2 * 1/2014 Carlson F16K 31/44
251/128
D701,943 S 4/2014 Gaertner

(21) Appl. No.: **29/530,748**
(22) Filed: **Jun. 19, 2015**

(30) **Foreign Application Priority Data**
Dec. 23, 2014 (WO) 861955901
(51) **LOC (10) Cl.** **23-01**
(52) **U.S. Cl.**
USPC **D23/233**
(58) **Field of Classification Search**
USPC D23/233-249, 213, 252; 137/487.5, 12,
137/14, 554, 556, 553; 251/129.12, 129.02,
251/129.03, 291, 292, 128, 129.11, 304,
251/129.13, 111, 93, 101, 97; D13/158,
D13/162, 164, 177, 184, 199
CPC F16K 31/0675; F16K 31/00; F16K 31/12
See application file for complete search history.

OTHER PUBLICATIONS

“System 8802 Continuous Classic” of Christian Burkert GmbH & Co, KG.

* cited by examiner

Primary Examiner — Cynthia Ramirez
Assistant Examiner — Gino Colan
(74) *Attorney, Agent, or Firm* — Hoffmann & Baron, LLP

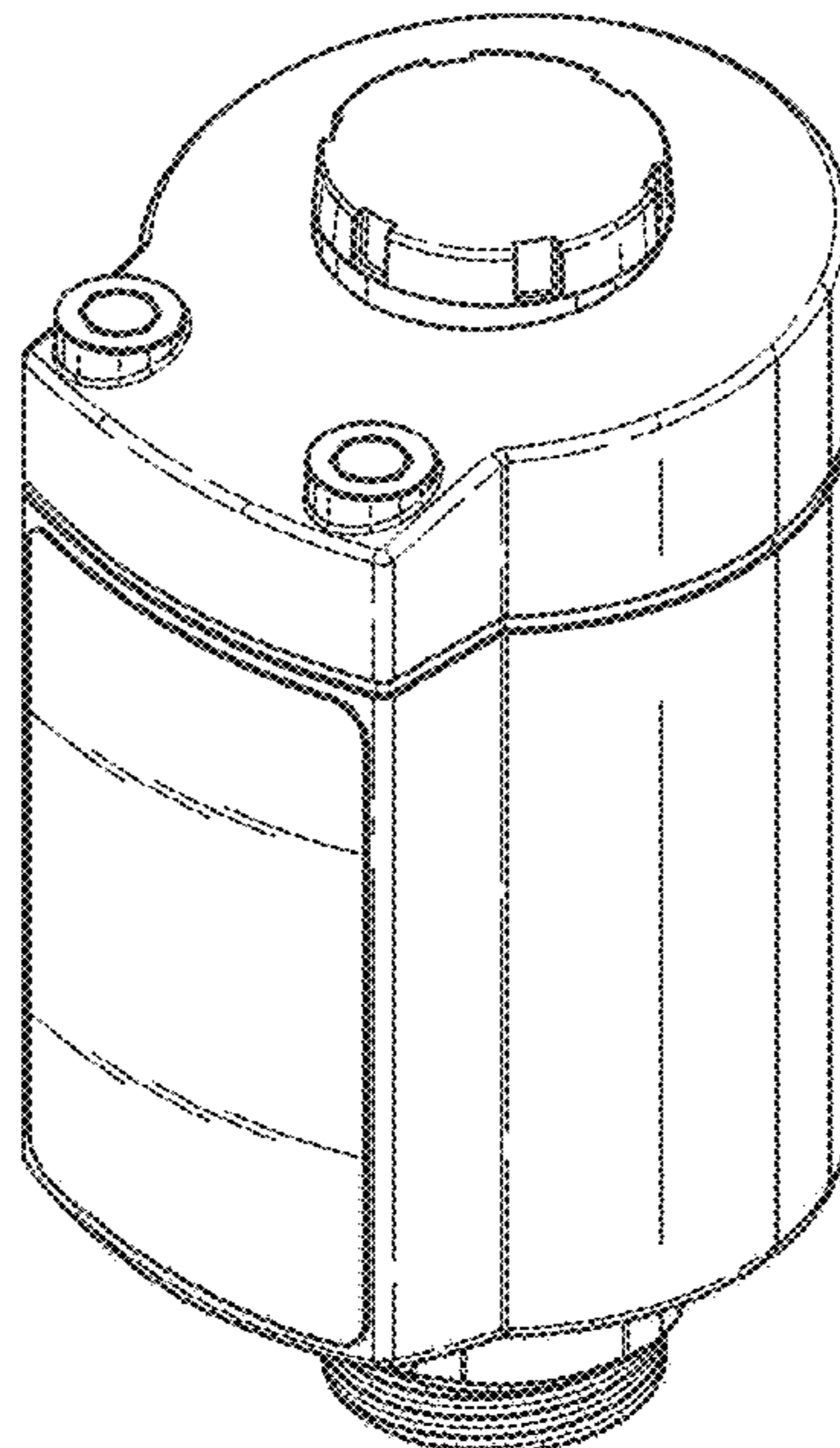
(57) **CLAIM**
The ornamental design for a valve actuator, as shown and described.

DESCRIPTION

FIG. 1 is a top perspective view of a valve actuator showing my new design;
FIG. 2 is a front view thereof;
FIG. 3 is a rear view thereof;
FIG. 4 is a left view thereof;
FIG. 5 is a right view thereof;
FIG. 6 is a top plan view thereof; and,
FIG. 7 is a bottom plan view thereof.
The broken line shown in the figures are included for the purpose of illustrating portions of the valve actuator and form no part of the claimed design.

(56) **References Cited**
U.S. PATENT DOCUMENTS
D322,657 S * 12/1991 Aarthun D23/233
D363,761 S * 10/1995 Eggleston D23/233
6,073,907 A * 6/2000 Schreiner, Jr. F16K 31/043
251/129.02
D461,873 S * 8/2002 Myran D23/233

1 Claim, 7 Drawing Sheets



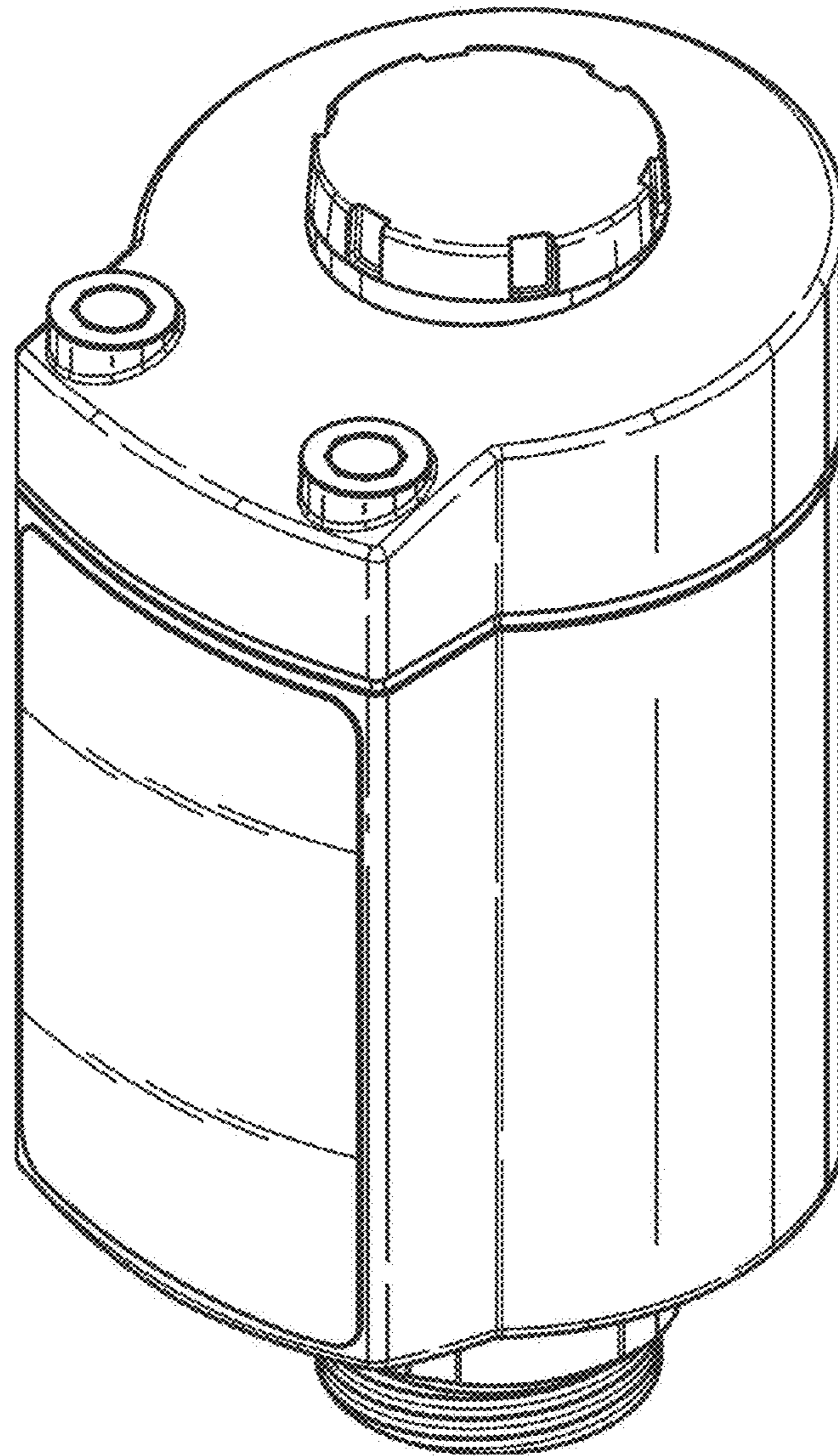


FIG. 1

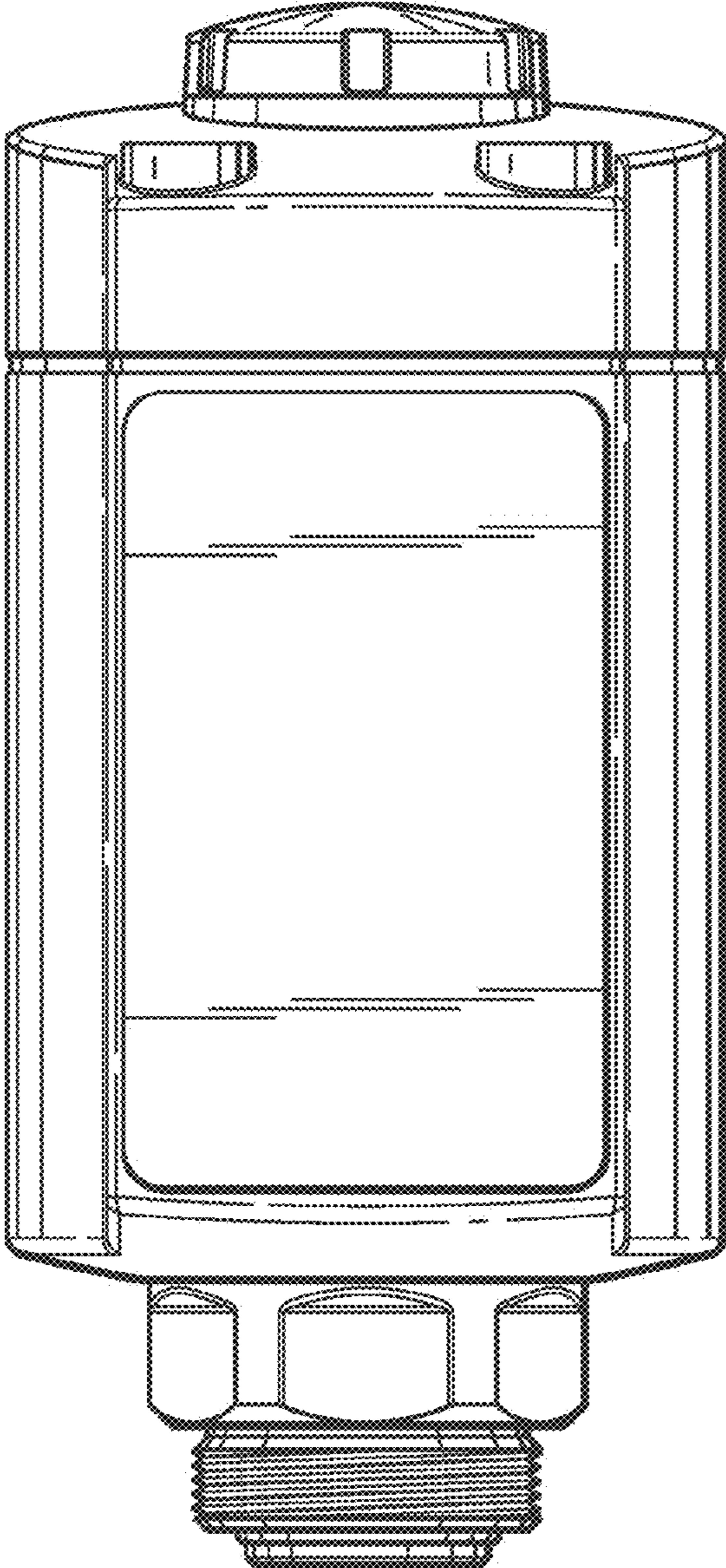


FIG. 2

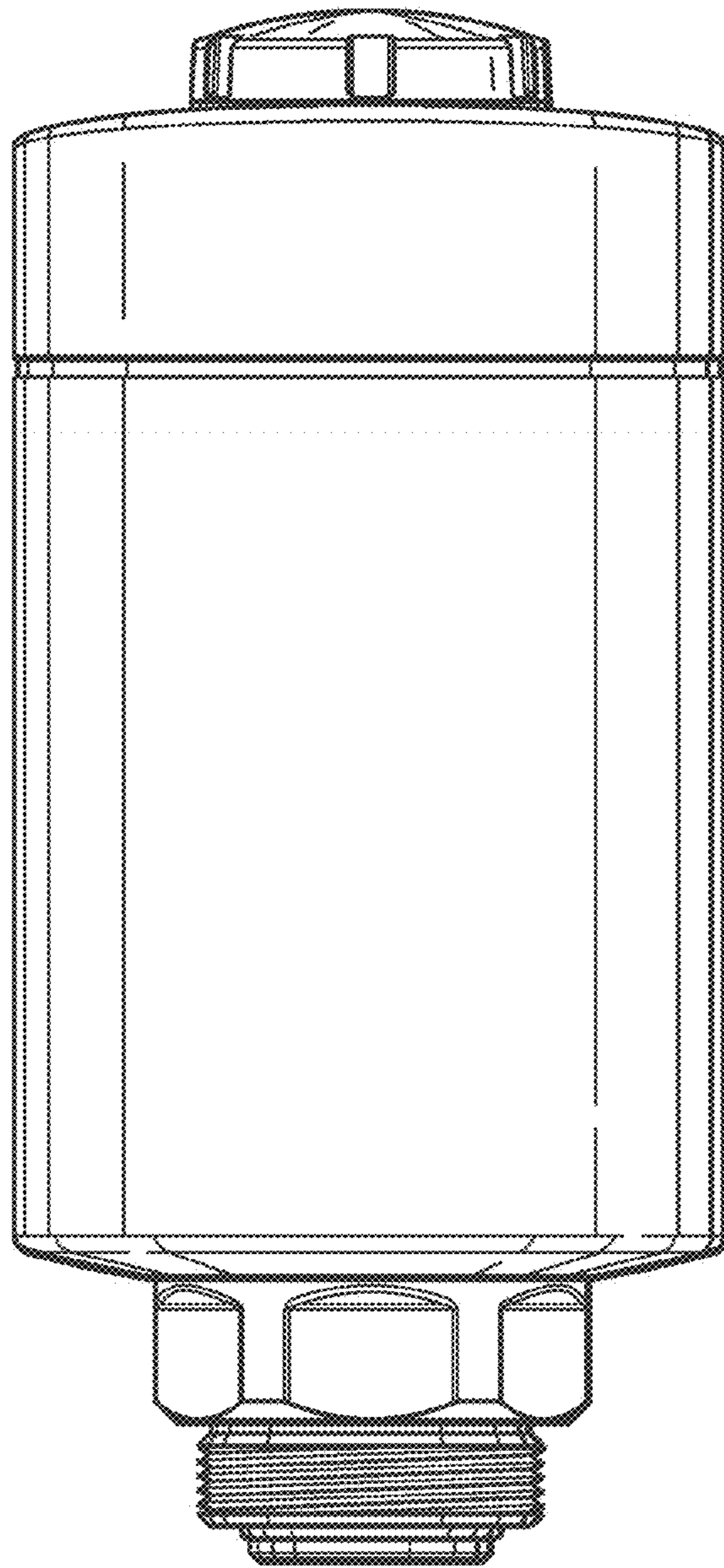


FIG. 3

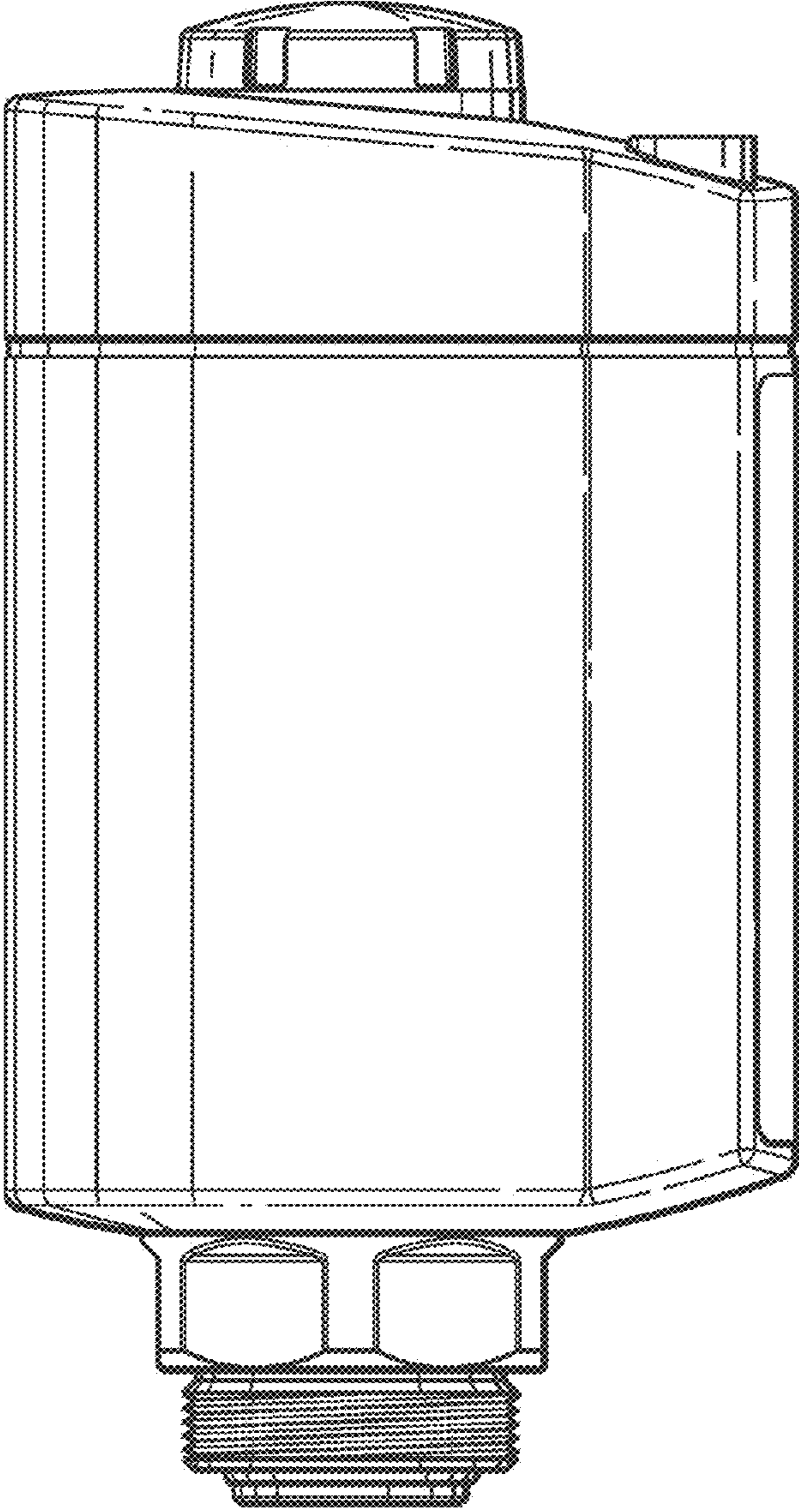


FIG. 4

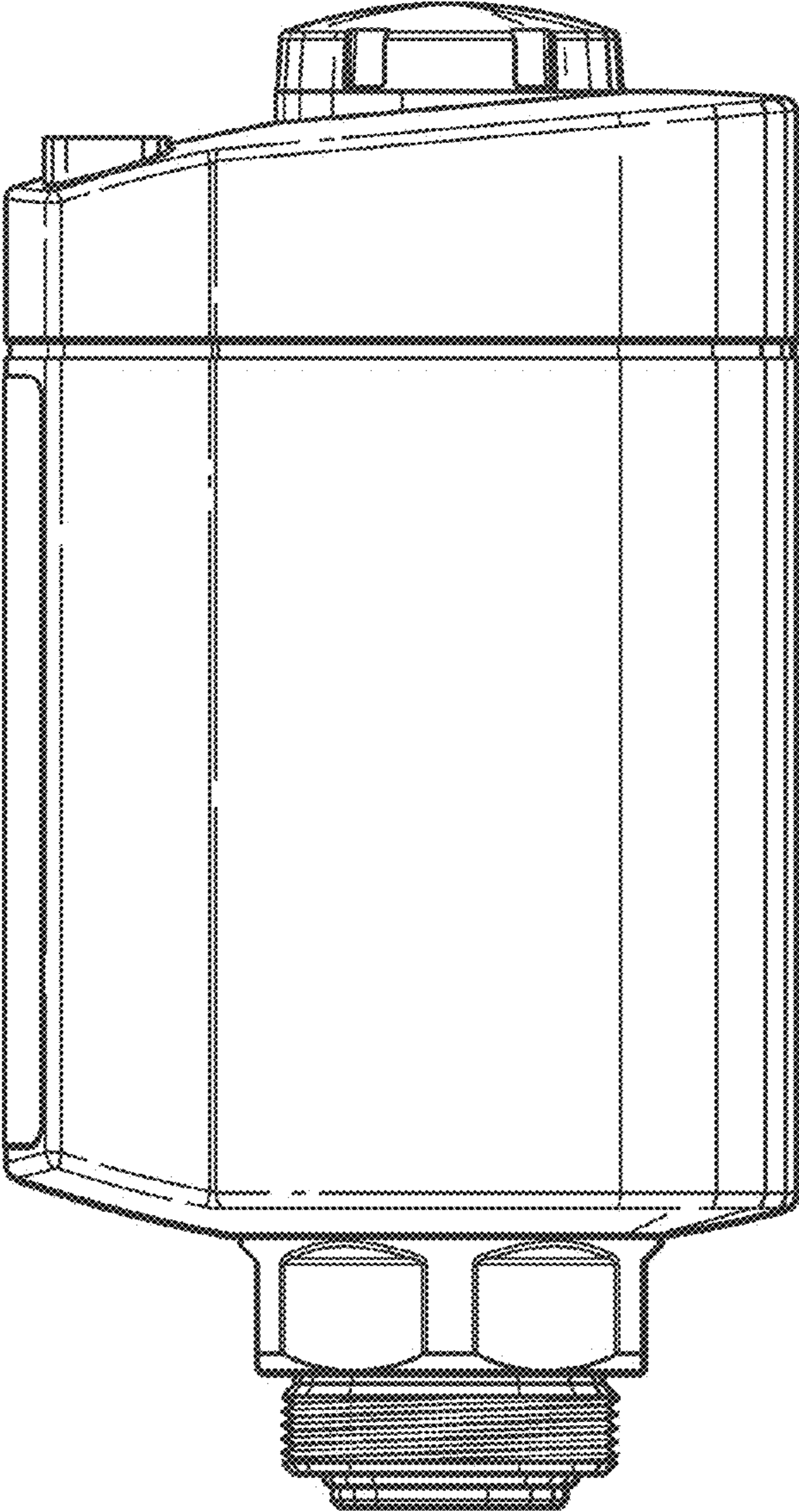


FIG. 5

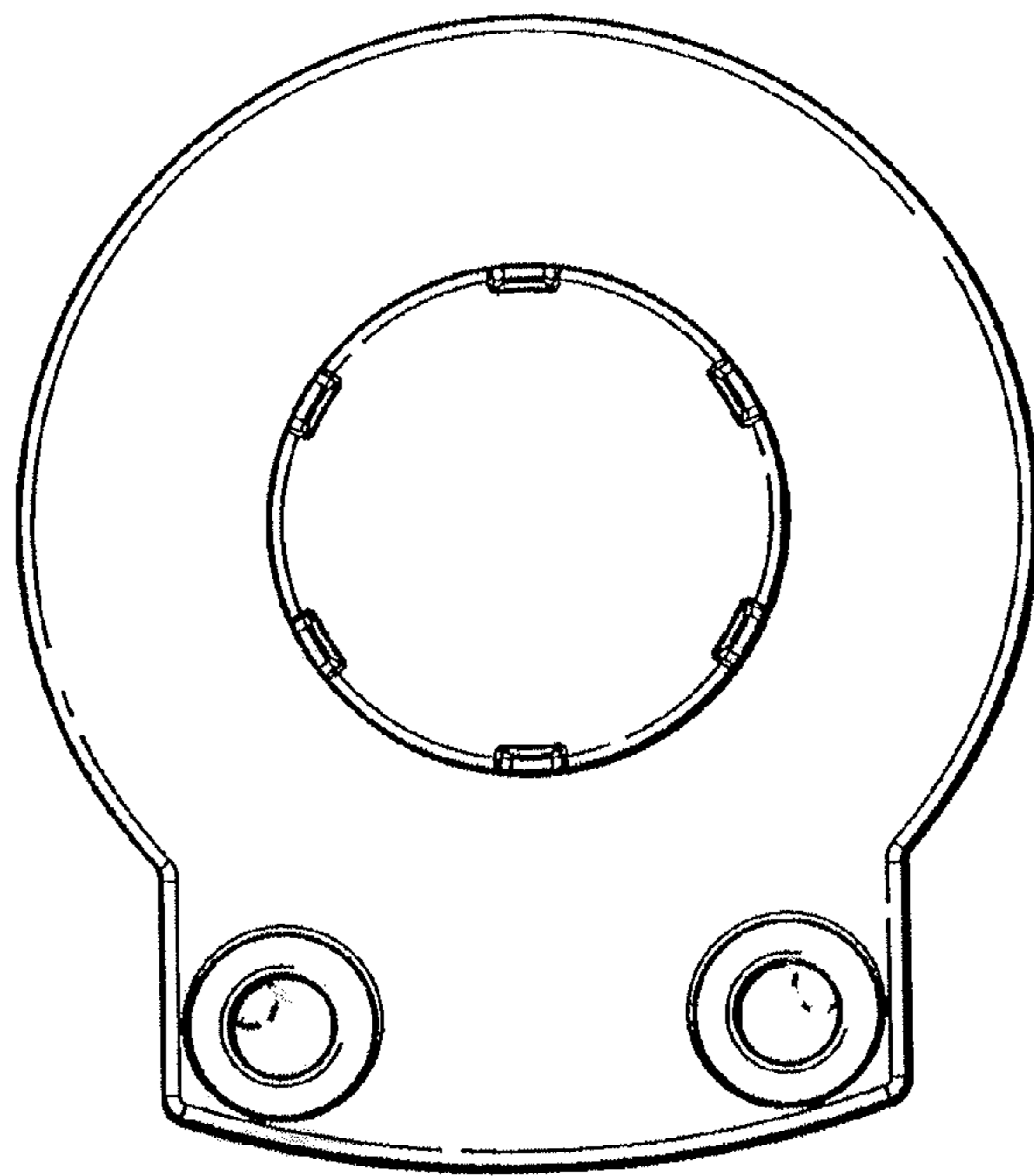


FIG. 6

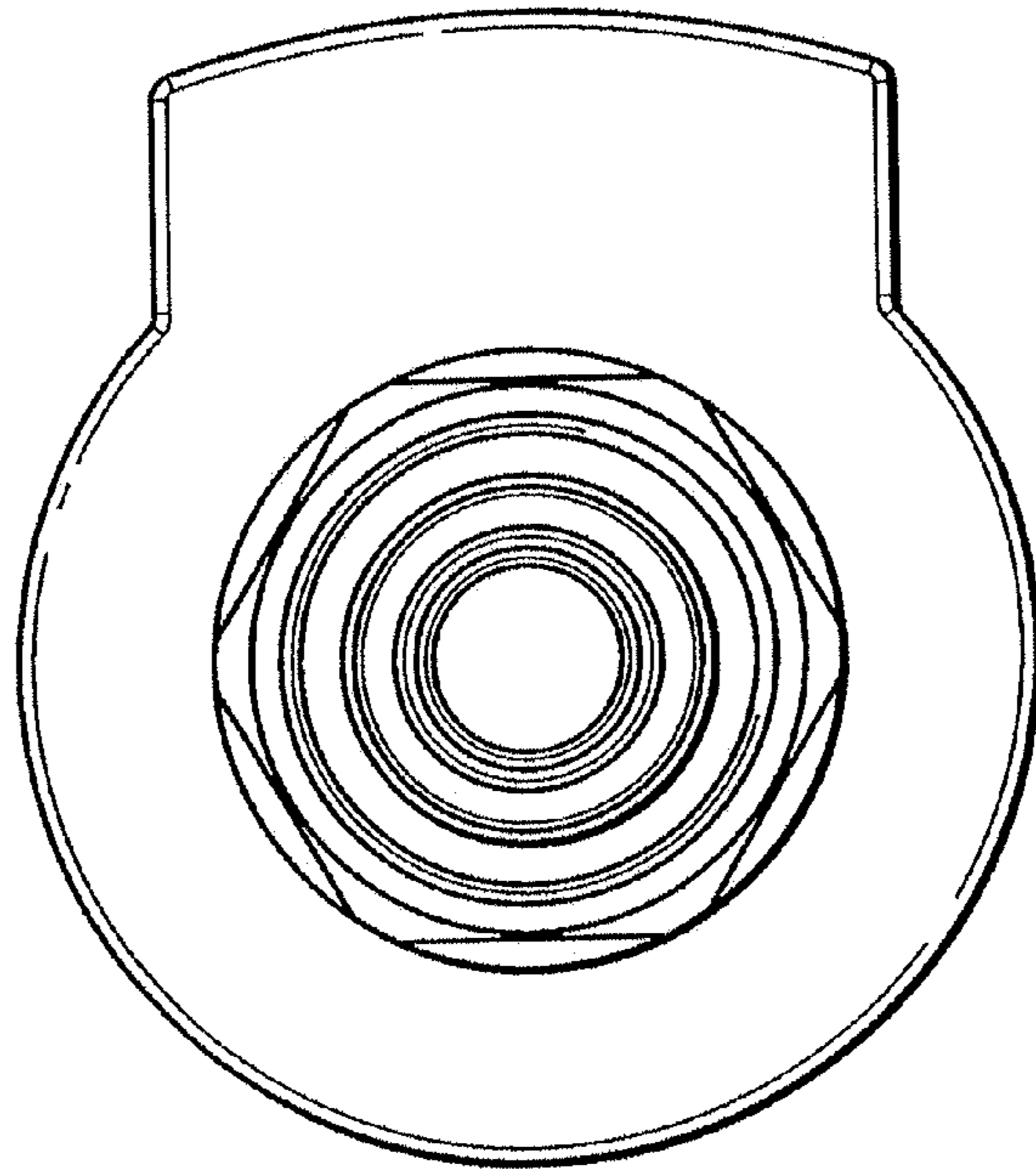


FIG. 7