



US00D754286S

(12) **United States Design Patent**
Wang

(10) **Patent No.:** **US D754,286 S**

(45) **Date of Patent:** **** Apr. 19, 2016**

- (54) **PAINT SPRAY GUN**
- (71) Applicant: **Hsing-Tzu Wang**, Taichung (TW)
- (72) Inventor: **Hsing-Tzu Wang**, Taichung (TW)
- (**) Term: **14 Years**
- (21) Appl. No.: **29/518,102**
- (22) Filed: **Feb. 19, 2015**
- (51) **LOC (10) Cl.** **23-01**
- (52) **U.S. Cl.**
USPC **D23/226**
- (58) **Field of Classification Search**
USPC D23/213, 223, 226; 239/690, 690.1,
239/290, 291; 361/227, 228
CPC B05B 5/1691; B05B 5/043; B05B 7/2408;
B05B 7/241
See application file for complete search history.

D537,505 S *	2/2007	Huang	D23/226
D563,505 S *	3/2008	Schmon	D23/226
D604,394 S *	11/2009	Wang	D23/226
D734,429 S *	7/2015	Wang	D23/226

* cited by examiner

Primary Examiner — Robin V Webster

(74) *Attorney, Agent, or Firm* — Hamre, Schumann, Mueller & Larson, P.C.

(57) **CLAIM**

The ornamental design for a paint spray gun, as shown and described.

DESCRIPTION

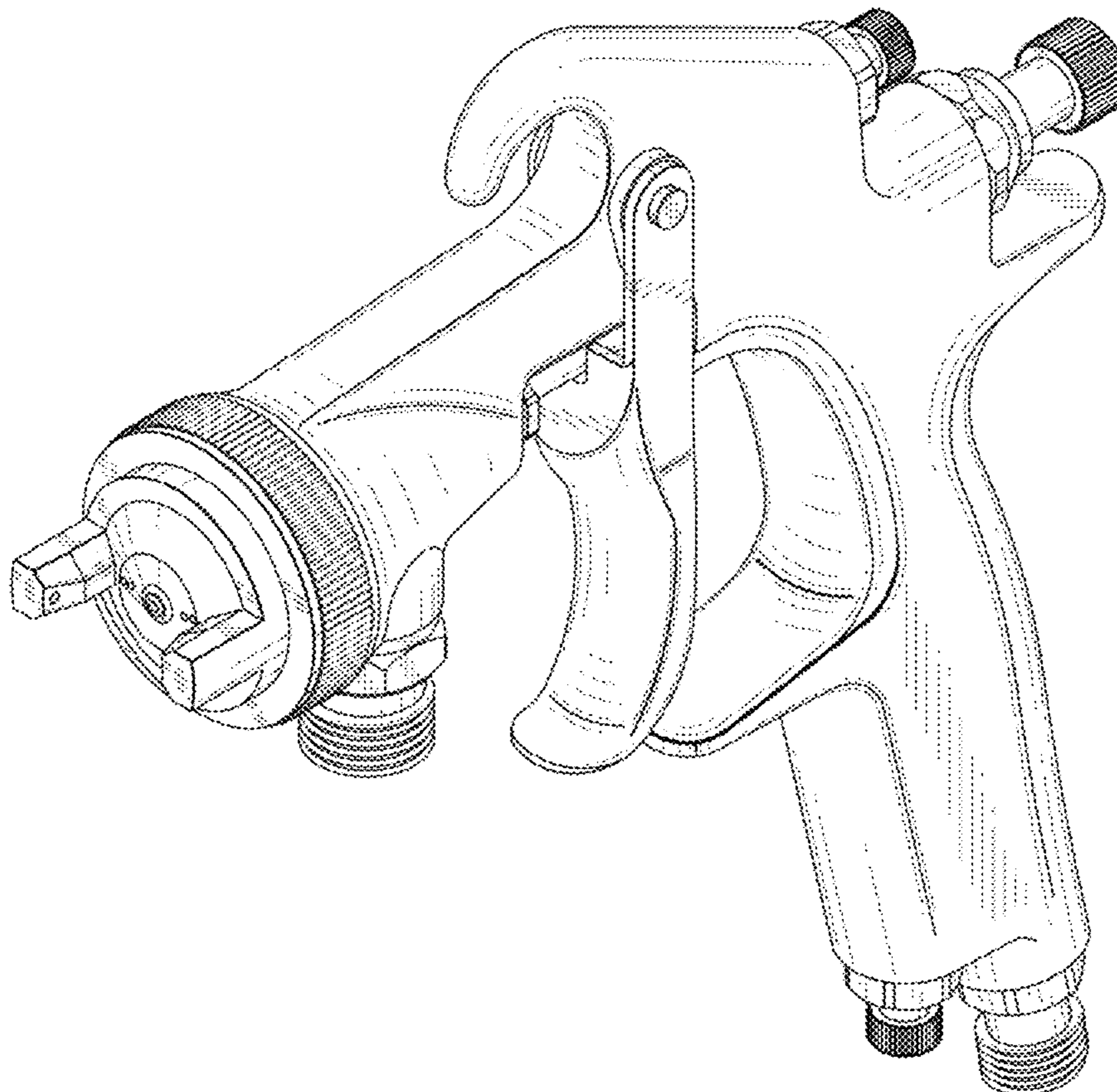
FIG. 1 is a perspective view of the paint spray gun showing my new design;
 2 is a front elevational view thereof;
 FIG. 3 is a rear elevational view thereof;
 FIG. 4 is a left side elevational view thereof;
 FIG. 5 is a right side elevational view thereof;
 FIG. 6 is a top plan view thereof; and,
 FIG. 7 is a bottom plan view thereof.

1 Claim, 7 Drawing Sheets

(56) **References Cited**

U.S. PATENT DOCUMENTS

D305,453 S *	1/1990	Morgan	D23/226
5,322,221 A *	6/1994	Anderson	B05B 7/068 239/291



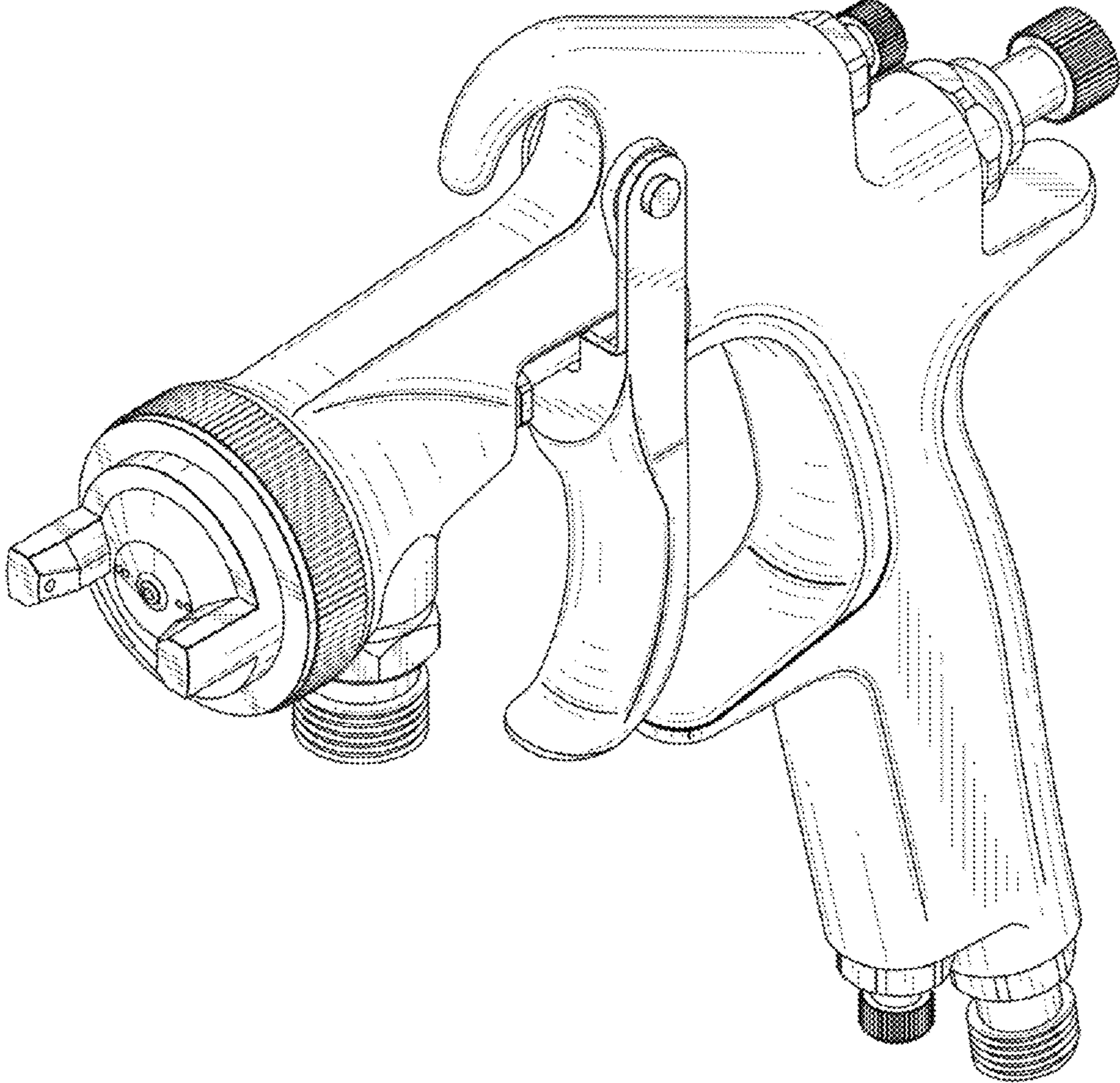


FIG. 1

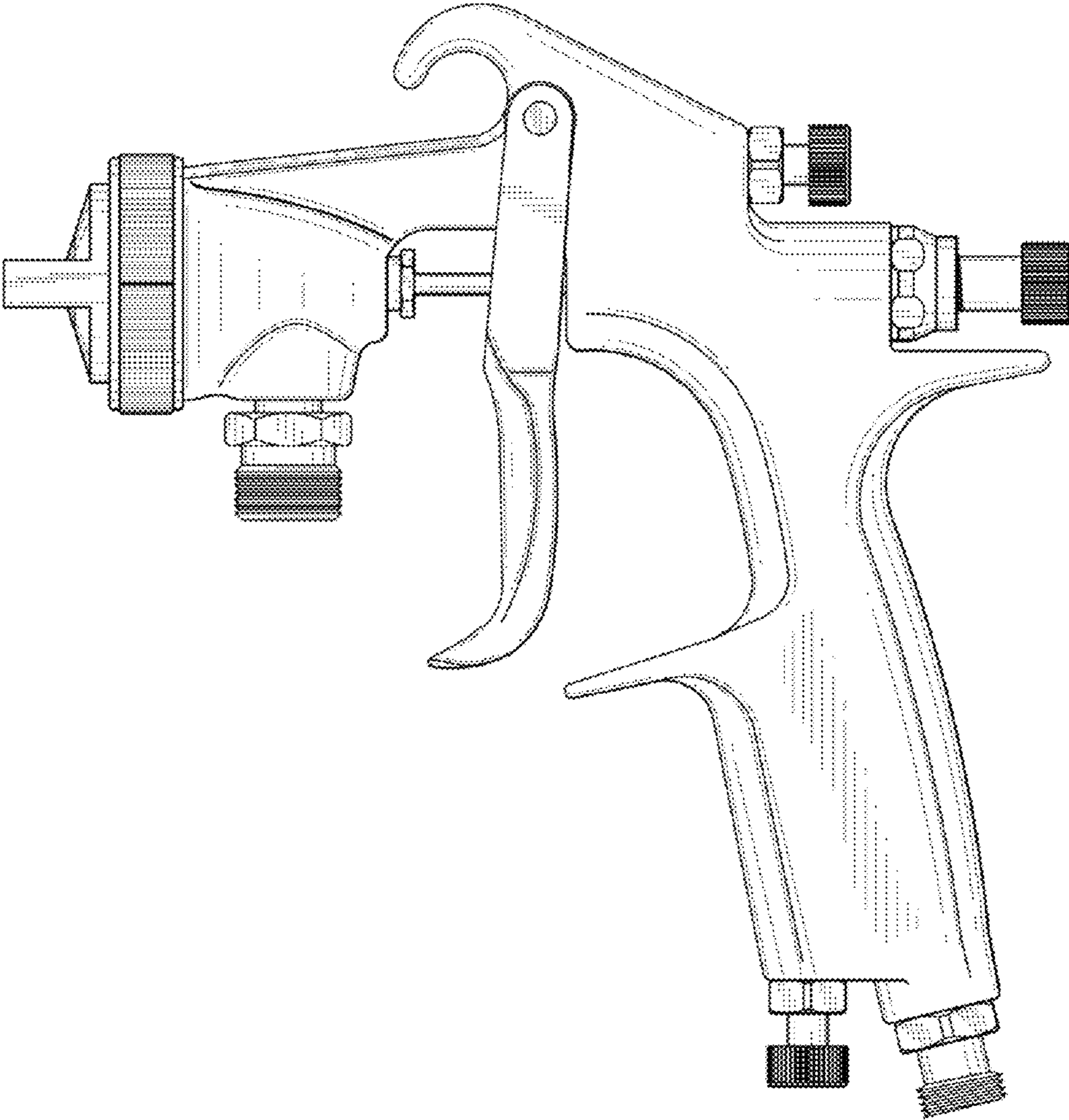


FIG.2

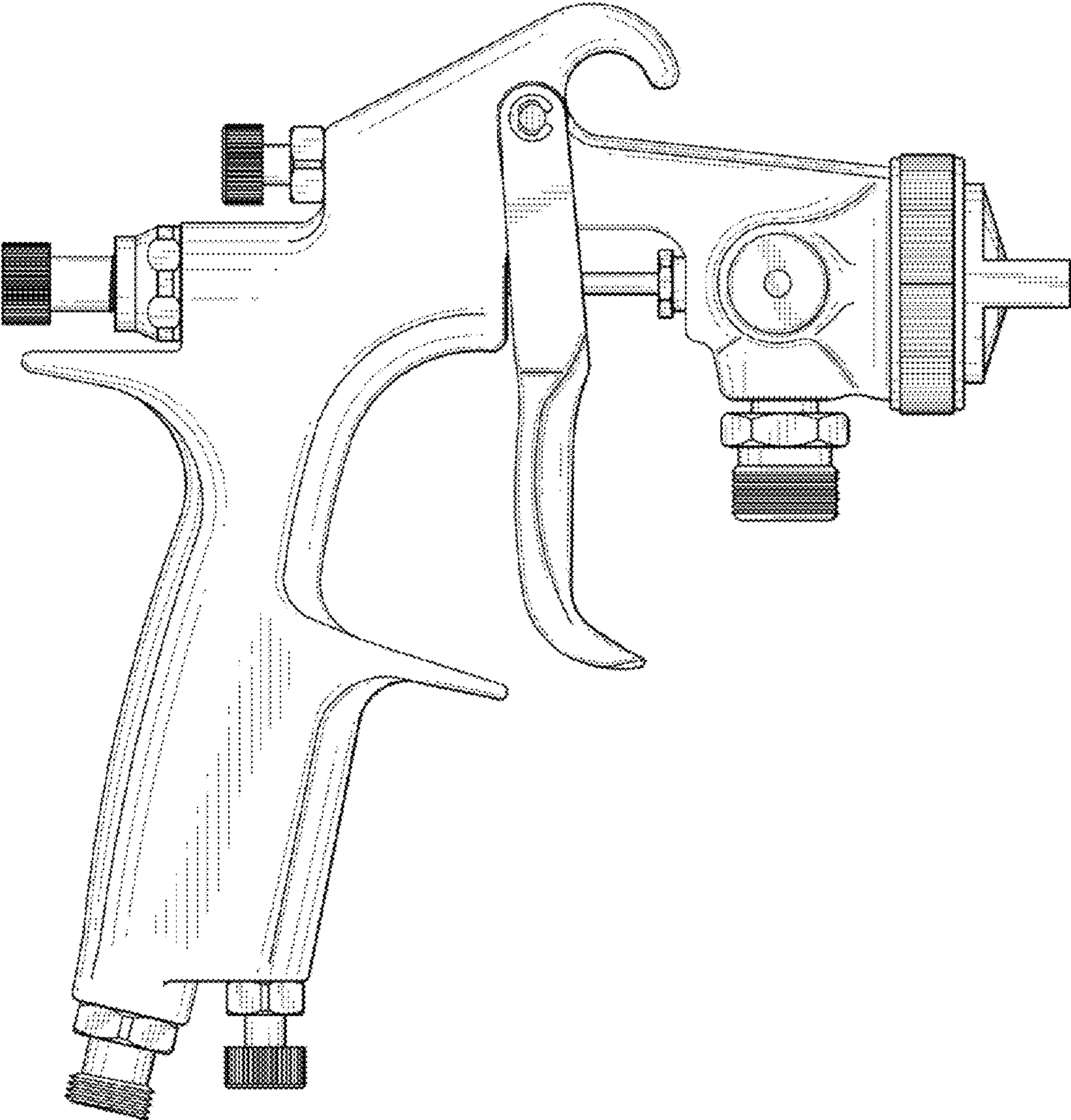


FIG.3

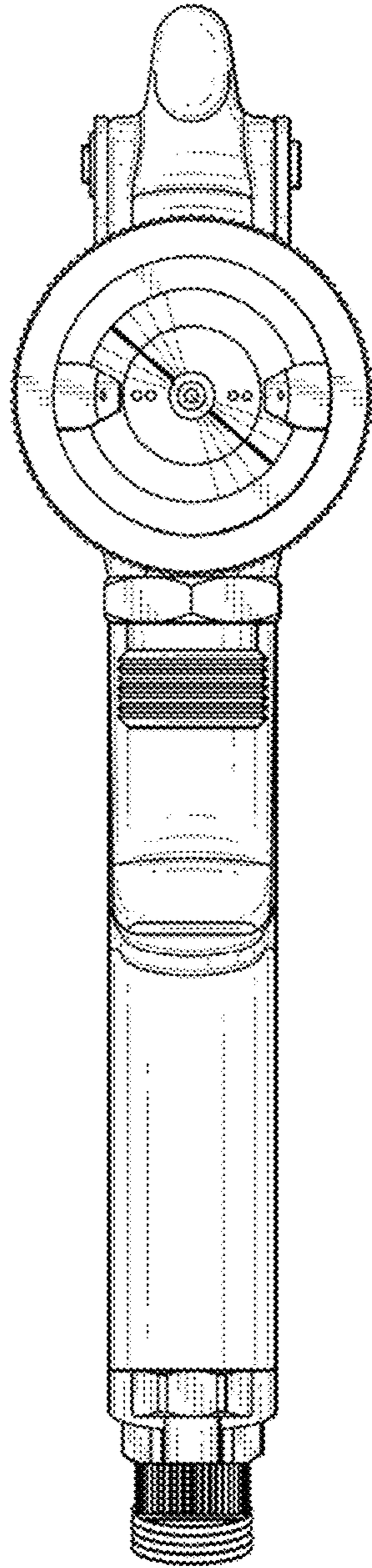


FIG.4

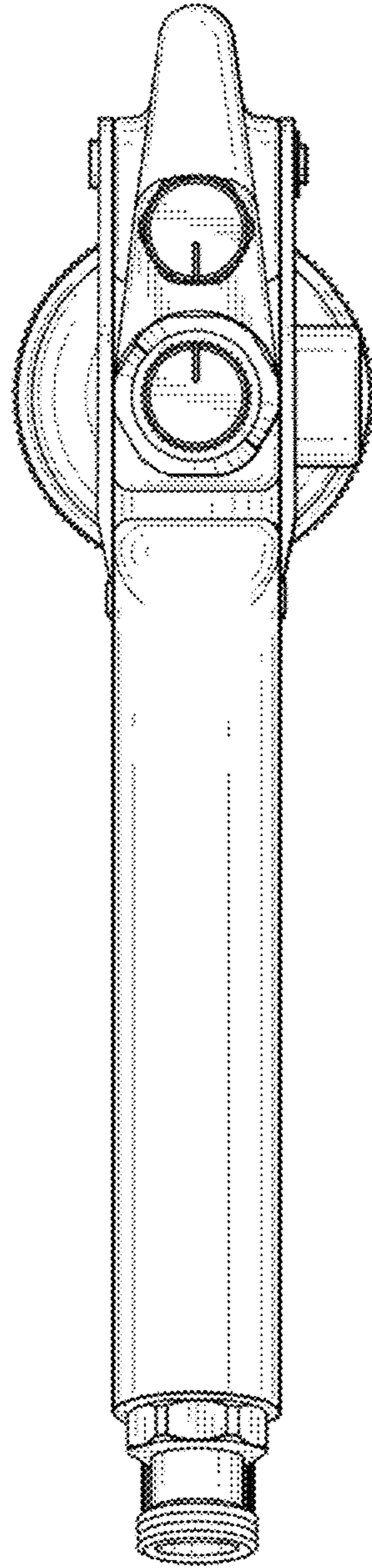


FIG.5

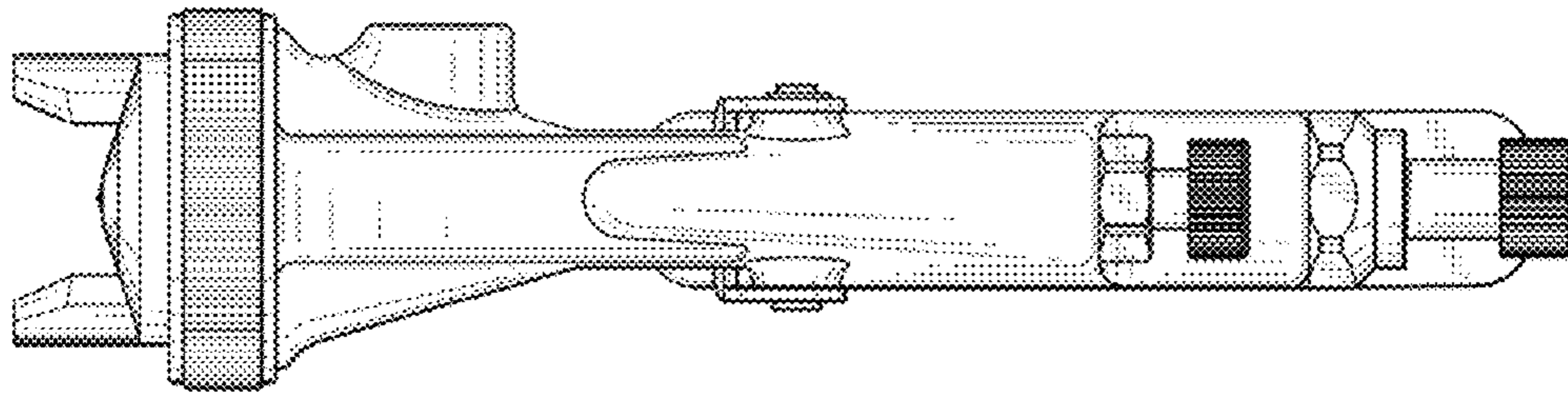


FIG.6

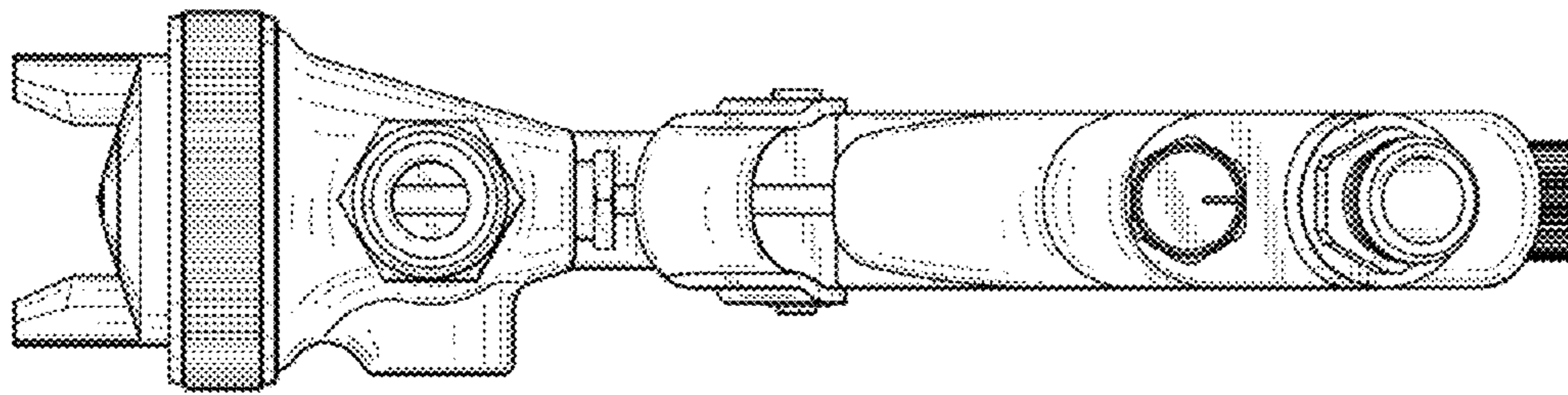


FIG. 7