



US00D754285S

(12) **United States Design Patent**
Helton

(10) **Patent No.:** **US D754,285 S**

(45) **Date of Patent:** **** Apr. 19, 2016**

(54) **WASHING APPARATUS**

(71) Applicant: **Troy Helton**, Menifee, CA (US)

(72) Inventor: **Troy Helton**, Menifee, CA (US)

(**) Term: **14 Years**

(21) Appl. No.: **29/514,893**

(22) Filed: **Jan. 16, 2015**

(51) **LOC (10) Cl.** **23-01**

(52) **U.S. Cl.**
USPC **D23/223**

(58) **Field of Classification Search**
USPC D23/213, 223, 226; 239/525-526, 532;
D30/158; 119/665
CPC B05B 7/02; B05B 7/025
See application file for complete search history.

(56) **References Cited**

U.S. PATENT DOCUMENTS

D270,560 S * 9/1983 Clivio D23/226
D463,843 S * 10/2002 Howell D23/213
D470,567 S * 2/2003 Alkalay D23/223

D617,416 S * 6/2010 Chen D23/223
8,640,979 B2 * 2/2014 Wu B05B 9/0816
239/526
D710,484 S * 8/2014 Ariss D23/223

* cited by examiner

Primary Examiner — Robin V Webster

(74) *Attorney, Agent, or Firm* — Todd J. Langford

(57) **CLAIM**

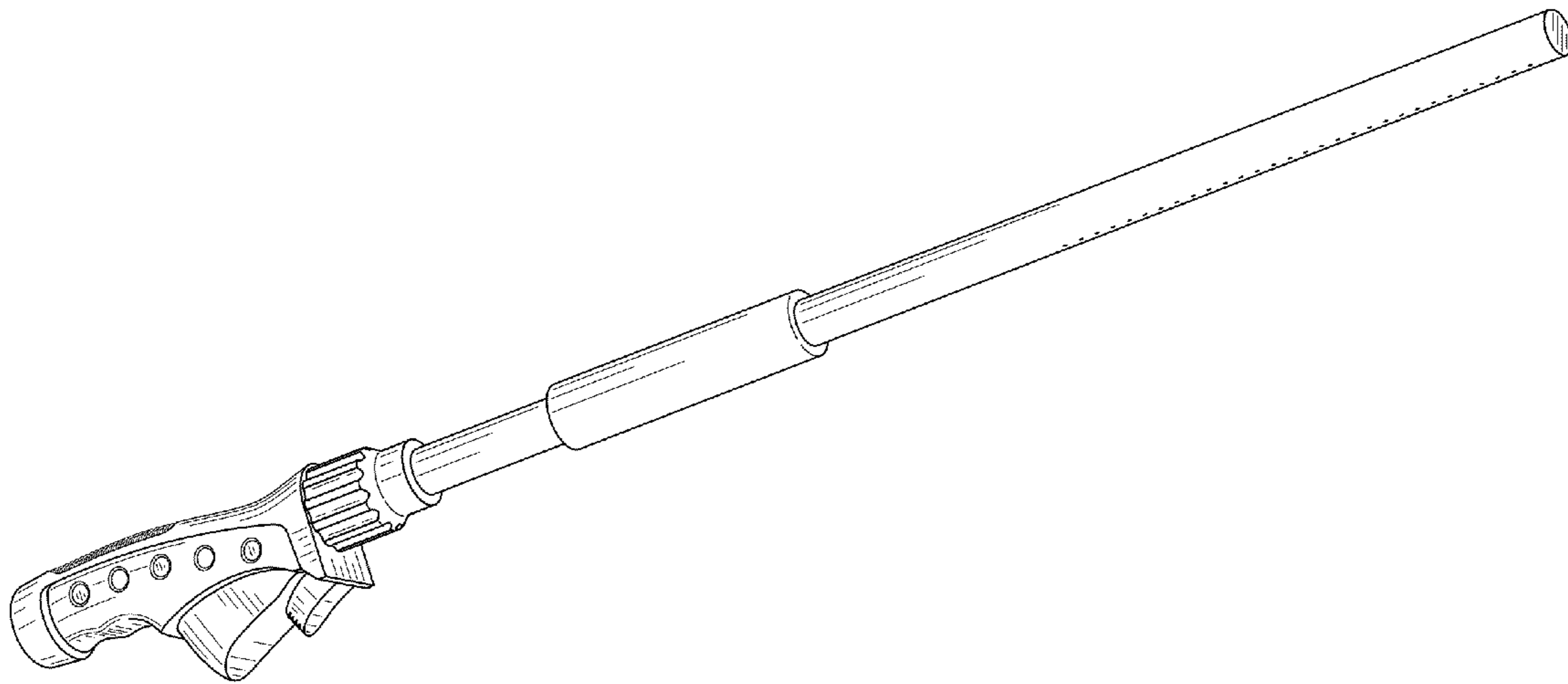
The ornamental design for a washing apparatus, as shown and described.

DESCRIPTION

FIG. 1 is a left side perspective view of the washing apparatus;
FIG. 2 is a left side view;
FIG. 3 is a right side view;
FIG. 4 is a back view;
FIG. 5 is a front view;
FIG. 6 is a top view;
FIG. 7 is a bottom view; and,
FIG. 8 is a right side perspective view thereof.

The broken lines showing the hose connection portion are for the purpose of illustrating portions of the washing apparatus and form no part of the claimed design.

1 Claim, 4 Drawing Sheets



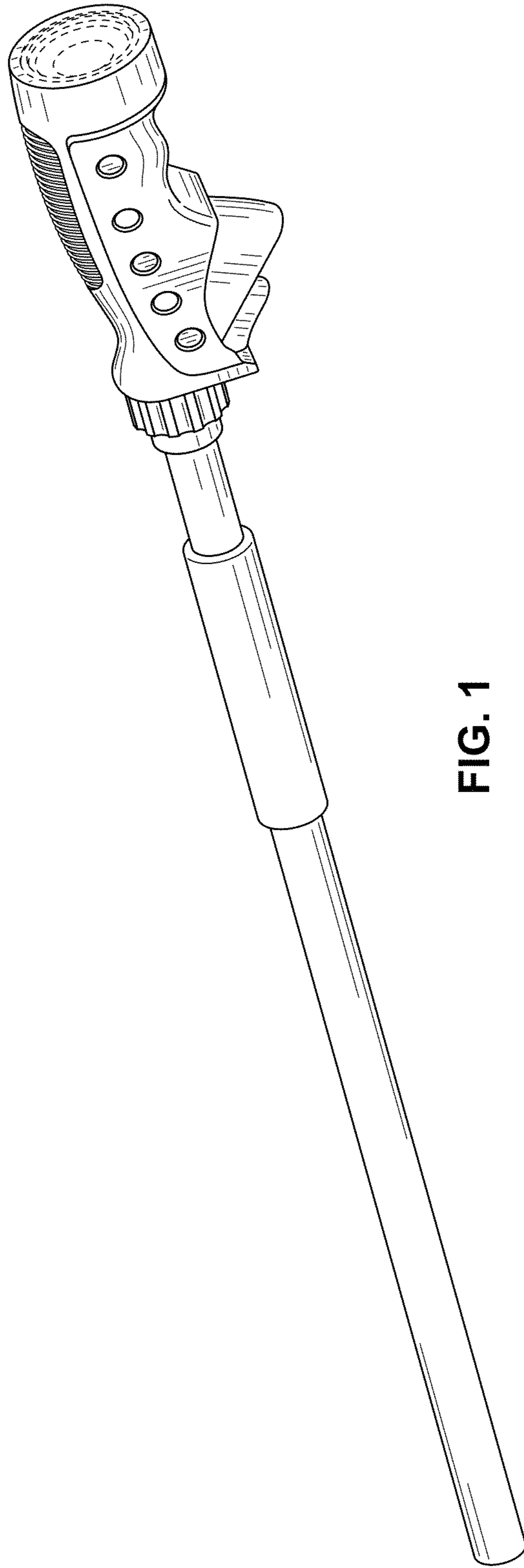


FIG. 1

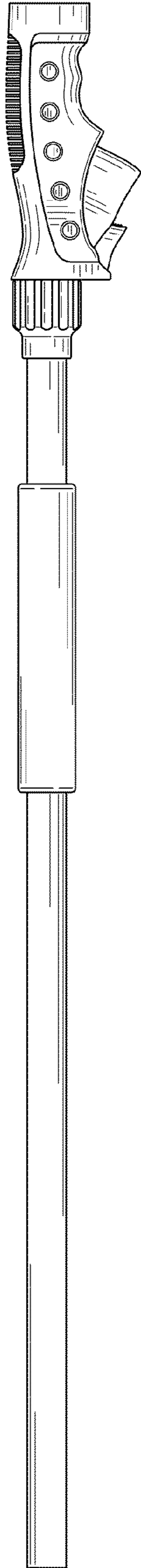


FIG. 2

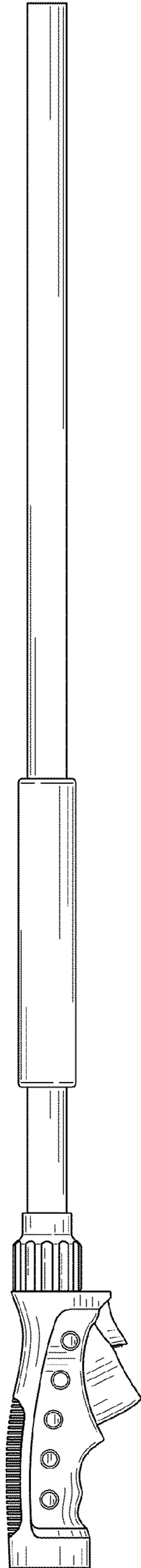


FIG. 3

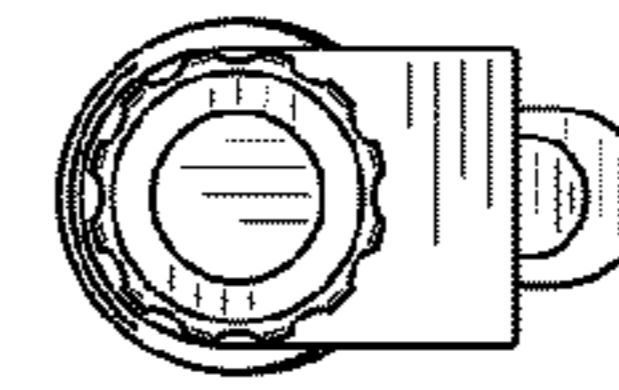


FIG. 5

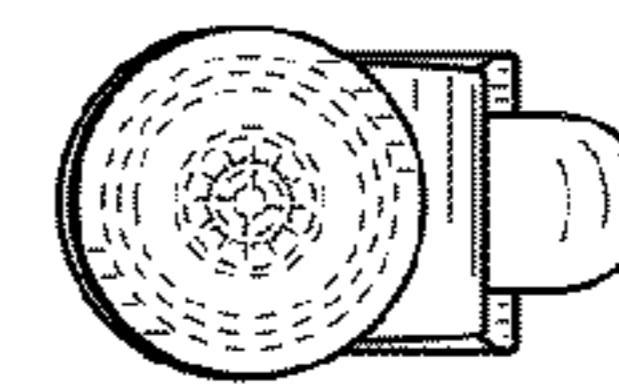


FIG. 4

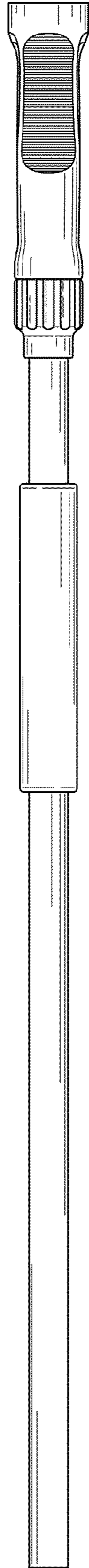


FIG. 6

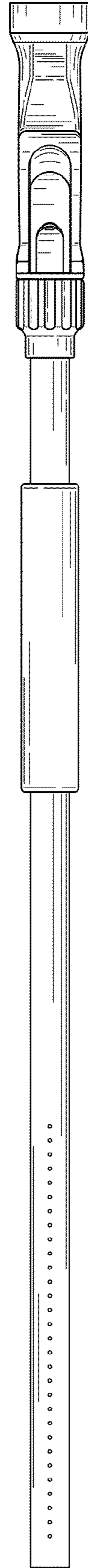


FIG. 7

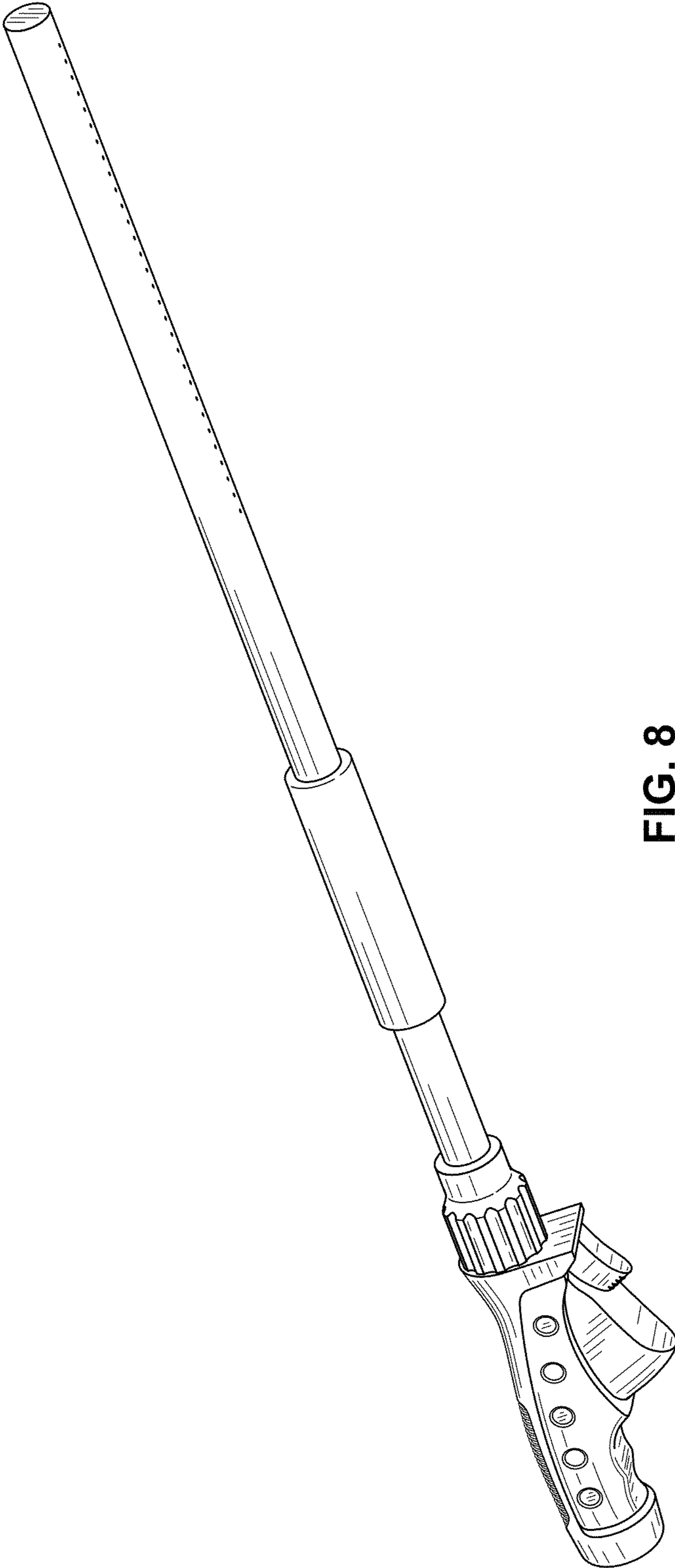


FIG. 8