



US00D754284S

(12) **United States Design Patent**
Stowers et al.

(10) **Patent No.:** **US D754,284 S**
(45) **Date of Patent:** **** Apr. 19, 2016**

(54) **SPRINKLER**

(56) **References Cited**

(71) Applicant: **E. Mishan & Sons, Inc.**, New York, NY
(US)

U.S. PATENT DOCUMENTS

D221,336 S *	8/1971	Raffler et al.	D23/216
5,098,020 A *	3/1992	Cooper	B05B 3/044 239/230
D329,489 S *	9/1992	Best	D23/216
D421,639 S *	3/2000	Clivio	D23/214
7,451,939 B2 *	11/2008	Huang	B05B 1/1645 239/237

(72) Inventors: **David Stowers**, Morristown, NJ (US);
Isaac Mishan, New York, NY (US)

(73) Assignee: **E. Mishan & Sons, Inc.**, New York, NY
(US)

* cited by examiner

Primary Examiner — Robin V Webster

(**) Term: **14 Years**

(74) *Attorney, Agent, or Firm* — Notaro, Michalos & Zaccharia P.C.

(21) Appl. No.: **29/520,137**

(57) **CLAIM**

The ornamental design for a sprinkler, as shown and described.

(22) Filed: **Mar. 11, 2015**

DESCRIPTION

(51) **LOC (10) Cl.** **23-01**

(52) **U.S. Cl.**

USPC **D23/216**

(58) **Field of Classification Search**

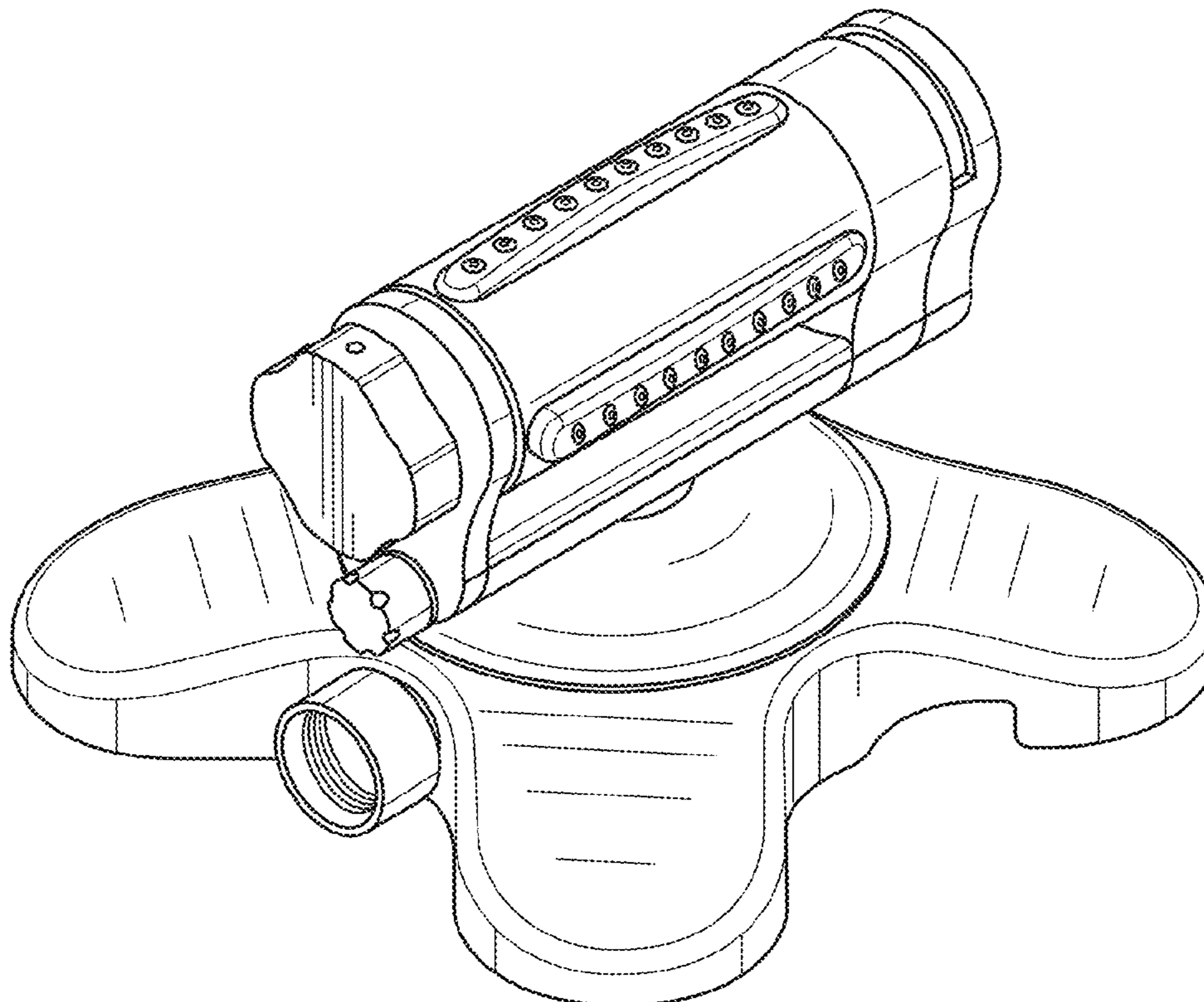
USPC D23/213, 214, 216, 217, 221; 239/200,
239/273, 276, 240–242

CPC B05B 15/062; B05B 12/12; B05B 3/044

See application file for complete search history.

FIG. 1 is a front, right perspective view of a sprinkler showing my/our design therefor;
FIG. 2 is a bottom, rear, left perspective view thereof;
FIG. 3 is a right side elevational view thereof;
FIG. 4 is a left side elevational view thereof;
FIG. 5 is a rear elevational view thereof;
FIG. 6 is a front elevational view thereof;
FIG. 7 is a top plan view thereof; and,
FIG. 8 bottom plan view thereof.

1 Claim, 8 Drawing Sheets



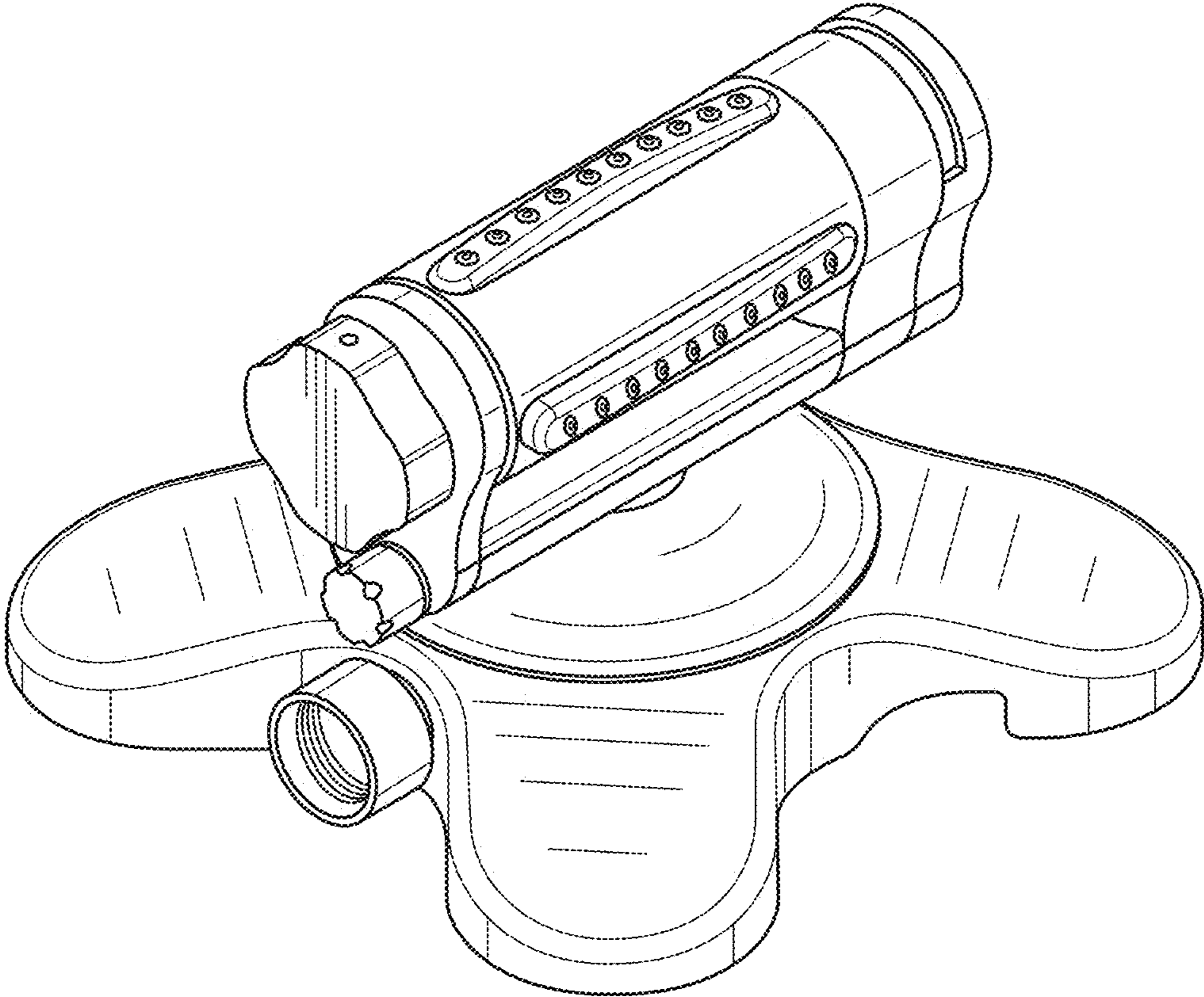


FIG. 1

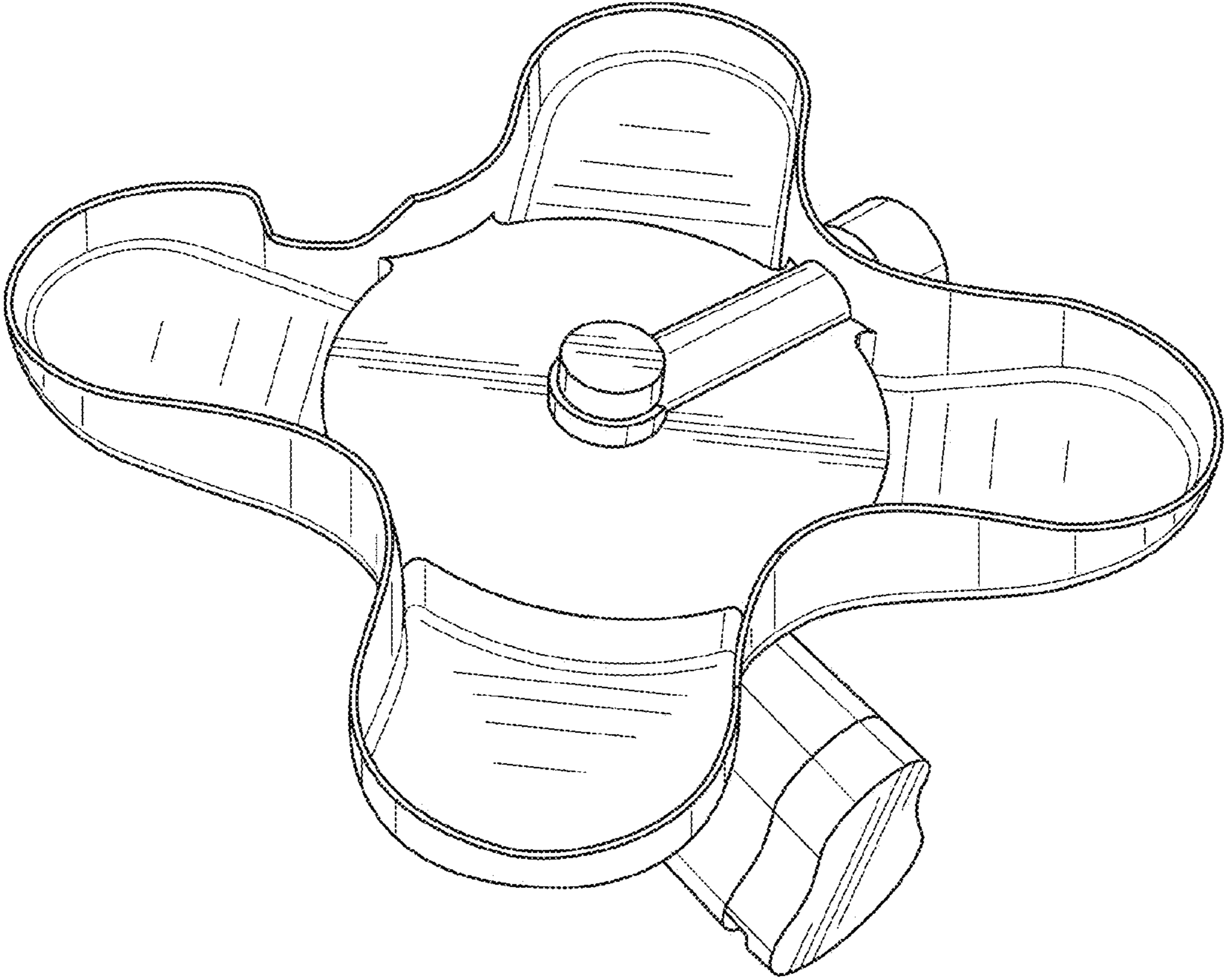


FIG. 2

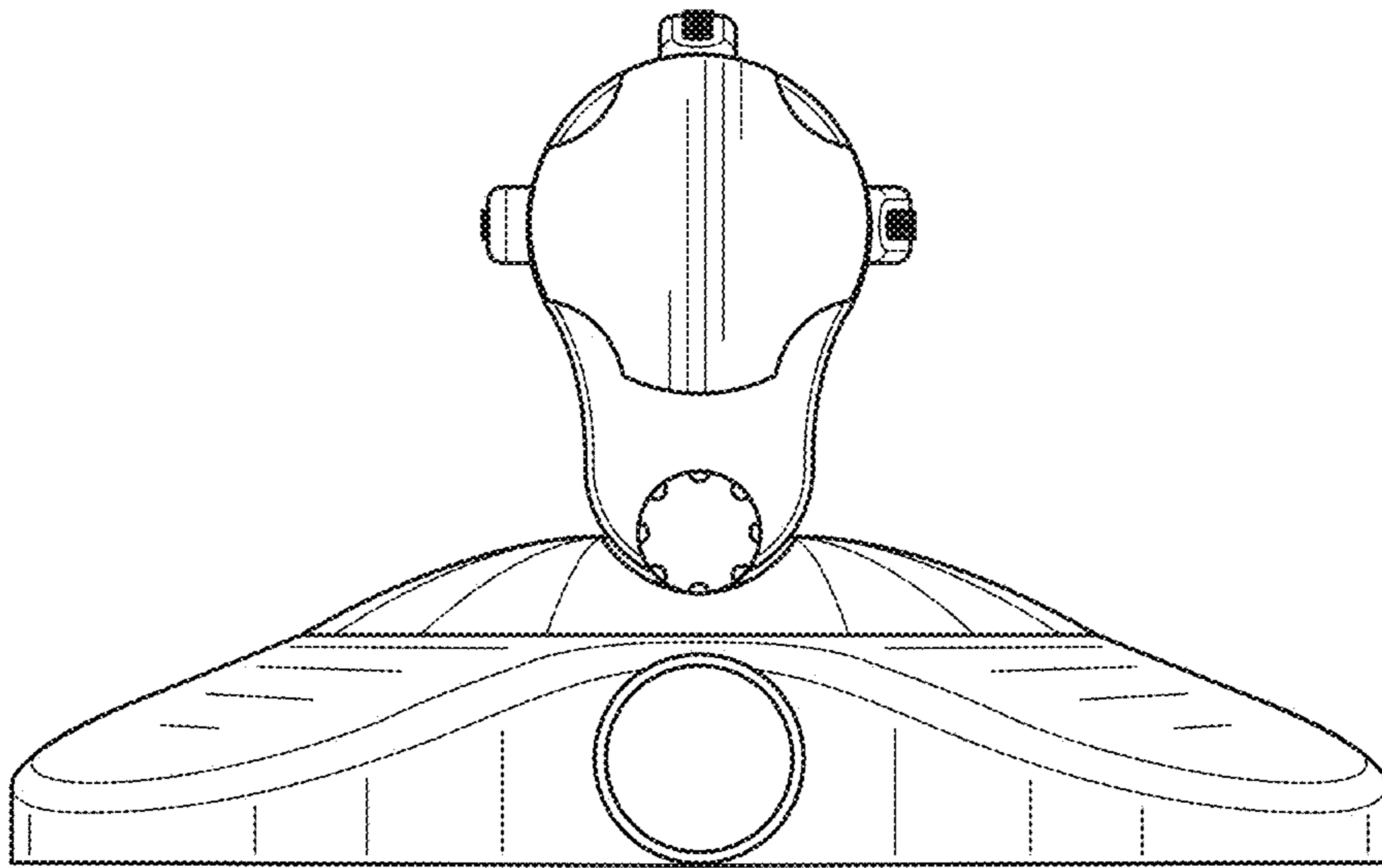


FIG. 3

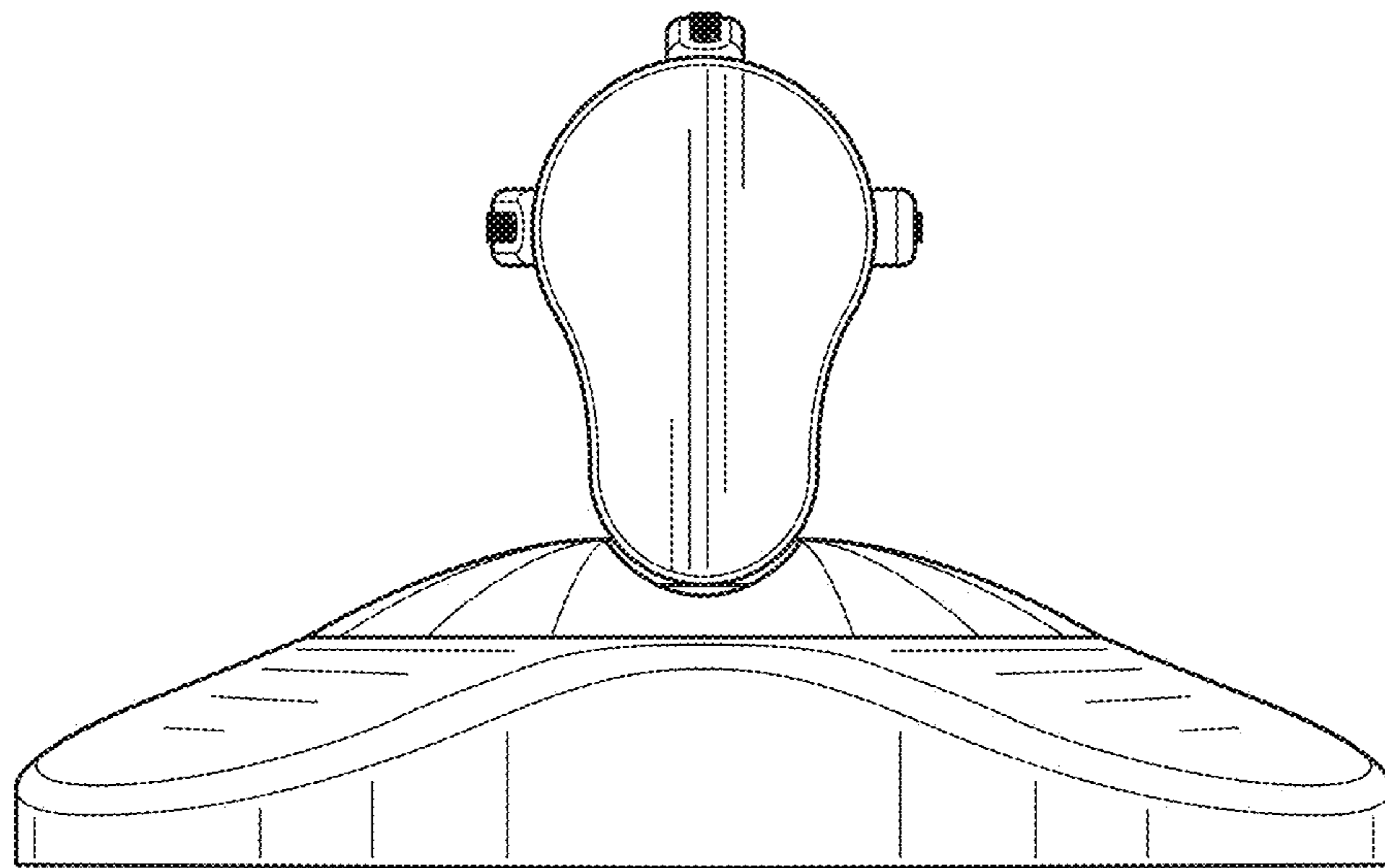


FIG. 4

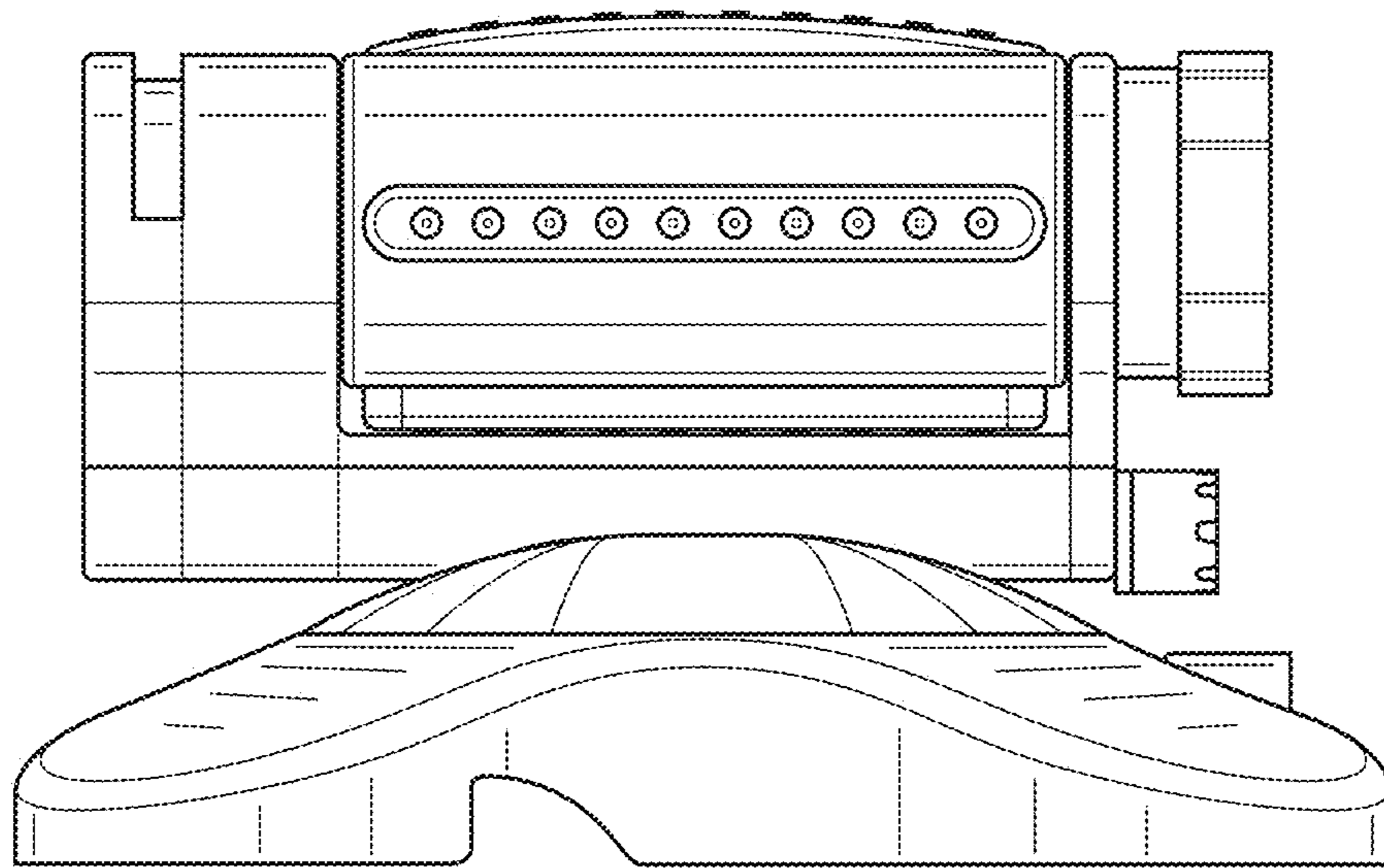


FIG. 5

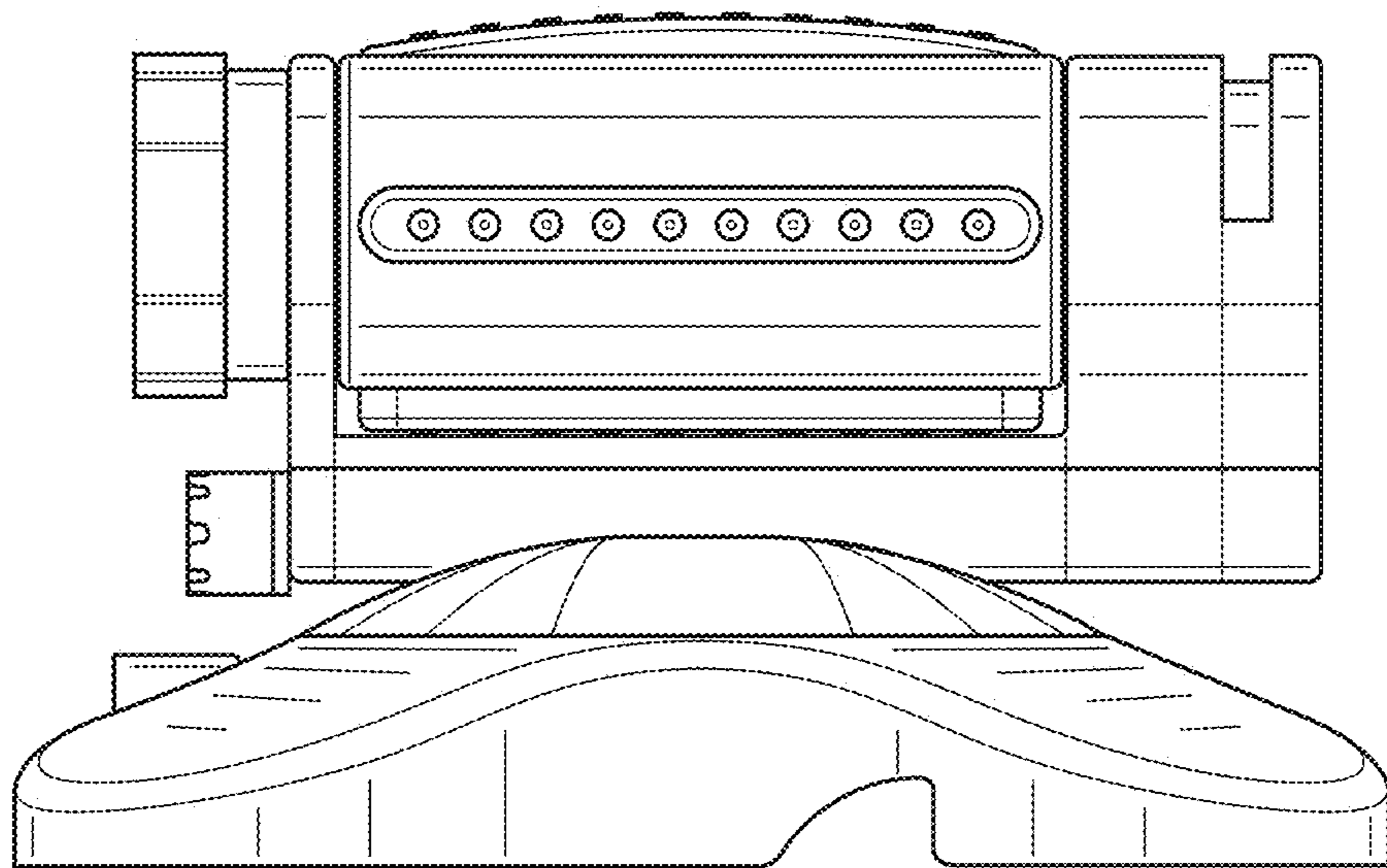


FIG. 6

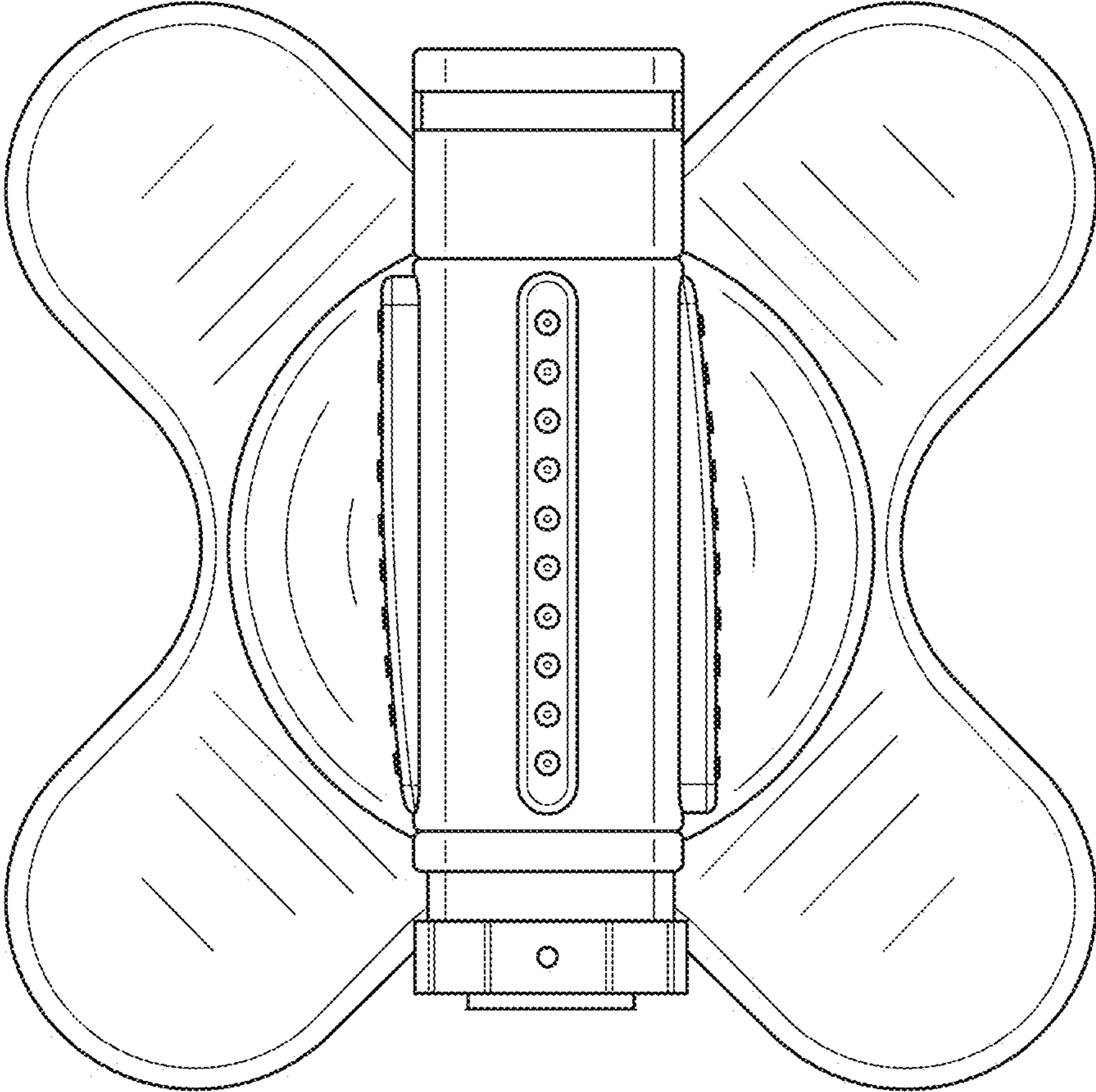


FIG. 7

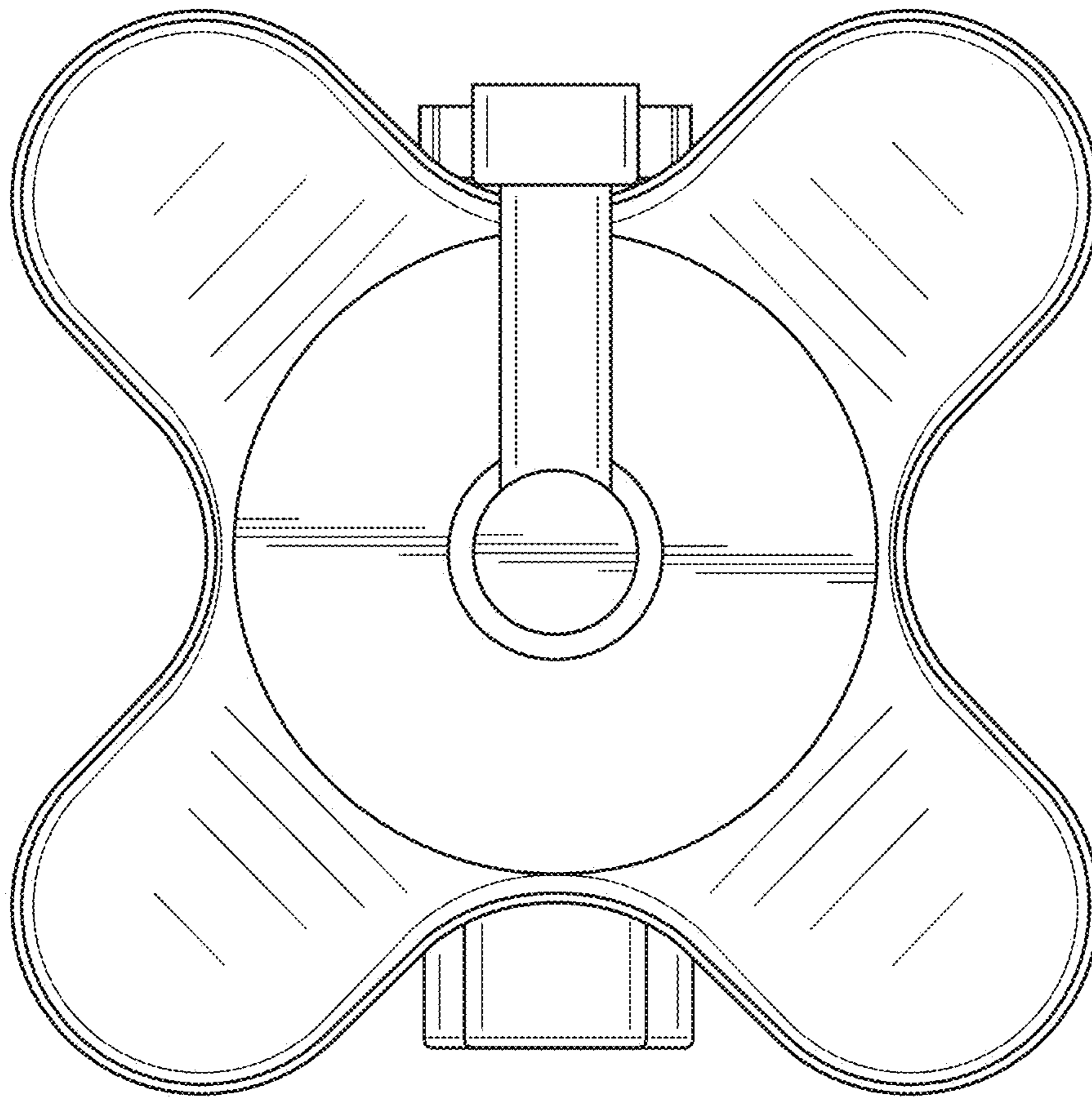


FIG. 8