



US00D754280S

(12) **United States Design Patent**  
**Krieger et al.**

(10) **Patent No.:** **US D754,280 S**  
(45) **Date of Patent:** **\*\* Apr. 19, 2016**

- (54) **FLOATING NET**
- (71) Applicant: **Academy Ltd.**, Katy, TX (US)
- (72) Inventors: **Dennis W. Krieger**, Katy, TX (US);  
**William G. Kinney, III**, Houston, TX (US)
- (73) Assignee: **Academy Ltd.**, Katy, TX (US)
- (\*\*) Term: **14 Years**
- (21) Appl. No.: **29/512,836**
- (22) Filed: **Dec. 23, 2014**
- (51) **LOC (10) Cl.** ..... **22-05**
- (52) **U.S. Cl.**  
USPC ..... **D22/135**
- (58) **Field of Classification Search**  
USPC ..... D22/135; 43/4, 11, 54.1; 383/3, 117  
CPC ..... A01K 73/12; A01K 74/00; A01K 97/04;  
A01K 97/05; A01K 97/20  
See application file for complete search history.

D485,329	S	1/2004	Haws
D535,718	S	1/2007	Jimenez
7,222,743	B1	5/2007	Wilhelm
7,249,435	B1	7/2007	Tetenes
8,001,717	B1	8/2011	Bright, II
8,756,856	B1	6/2014	Girvin
8,794,475	B1	8/2014	Daniels
2008/0307693	A1	12/2008	Wessels
2012/0110890	A1	5/2012	Garrett

\* cited by examiner

*Primary Examiner* — Catheri Oliver-Garcia

(74) *Attorney, Agent, or Firm* — Kilpatrick Townsend & Stockton LLP

(57) **CLAIM**

The ornamental design for a floating net, as shown and described.

**DESCRIPTION**

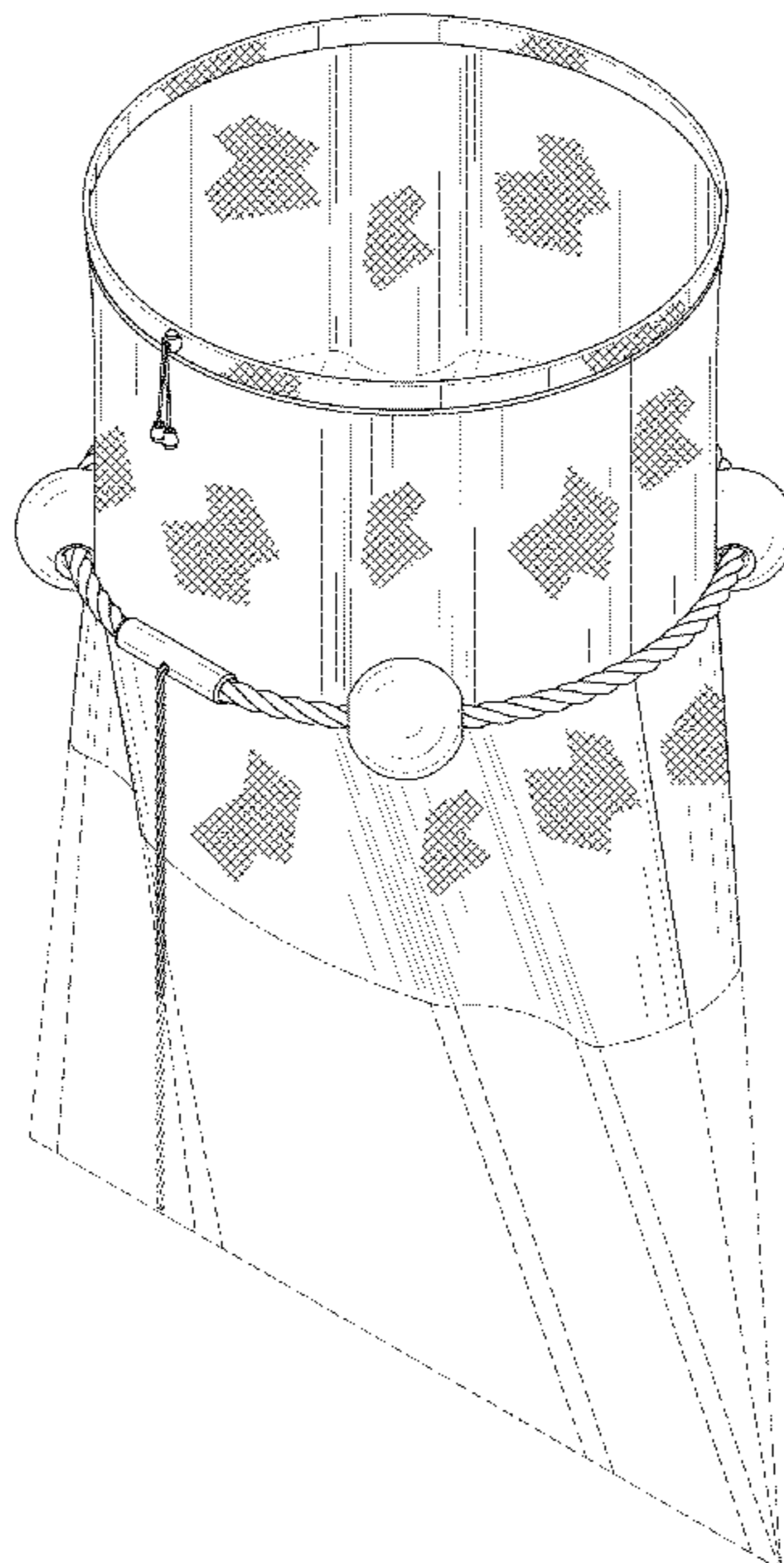
FIG. 1 is an isometric view of a floating net.  
 FIG. 2 is a front view of the floating net of FIG. 1.  
 FIG. 3 is a right side view of the floating net of FIG. 1.  
 FIG. 4 is a rear view of the floating net of FIG. 1.  
 FIG. 5 is a left side view of the floating net of FIG. 1.  
 FIG. 6 is a top view of the floating net of FIG. 1; and,  
 FIG. 7 is a bottom view of the floating net of FIG. 1.  
 The broken lines form no part of the claimed design. The cross-hatched shading on the netting portion of the floating net shown in the figures represents the mesh texture of that netting.  
 The entire netting portion of the floating net has the mesh texture, however, for clarity in the figures, the cross-hatching is not shown uniformly across the entire netting portion of the floating net.

**1 Claim, 6 Drawing Sheets**

(56) **References Cited**

U.S. PATENT DOCUMENTS

1,841,956	A *	1/1932	Juergens	.....	A01K 97/20 383/117
2,549,475	A *	4/1951	Jardim	.....	A01K 73/12 43/11
2,971,284	A *	2/1961	Opel	.....	A01K 74/00 43/11
2,982,045	A *	5/1961	Highland	.....	A01K 97/05 43/54.1
D336,508	S *	6/1993	Mathews	.....	D22/135
D367,102	S *	2/1996	McLeaf	.....	D22/135
5,561,936	A	10/1996	Franke		
D462,737	S	9/2002	Lipari		



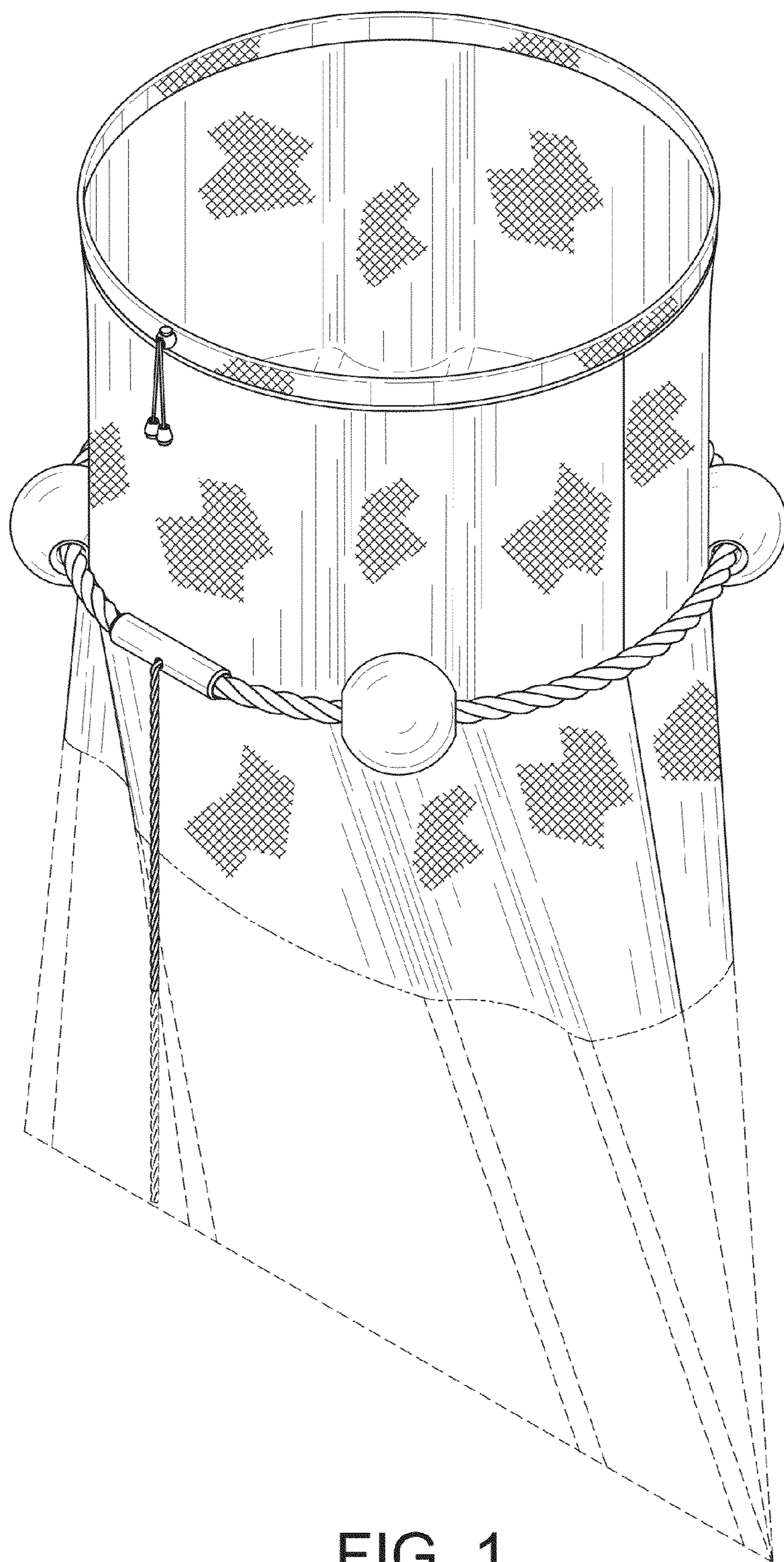


FIG. 1

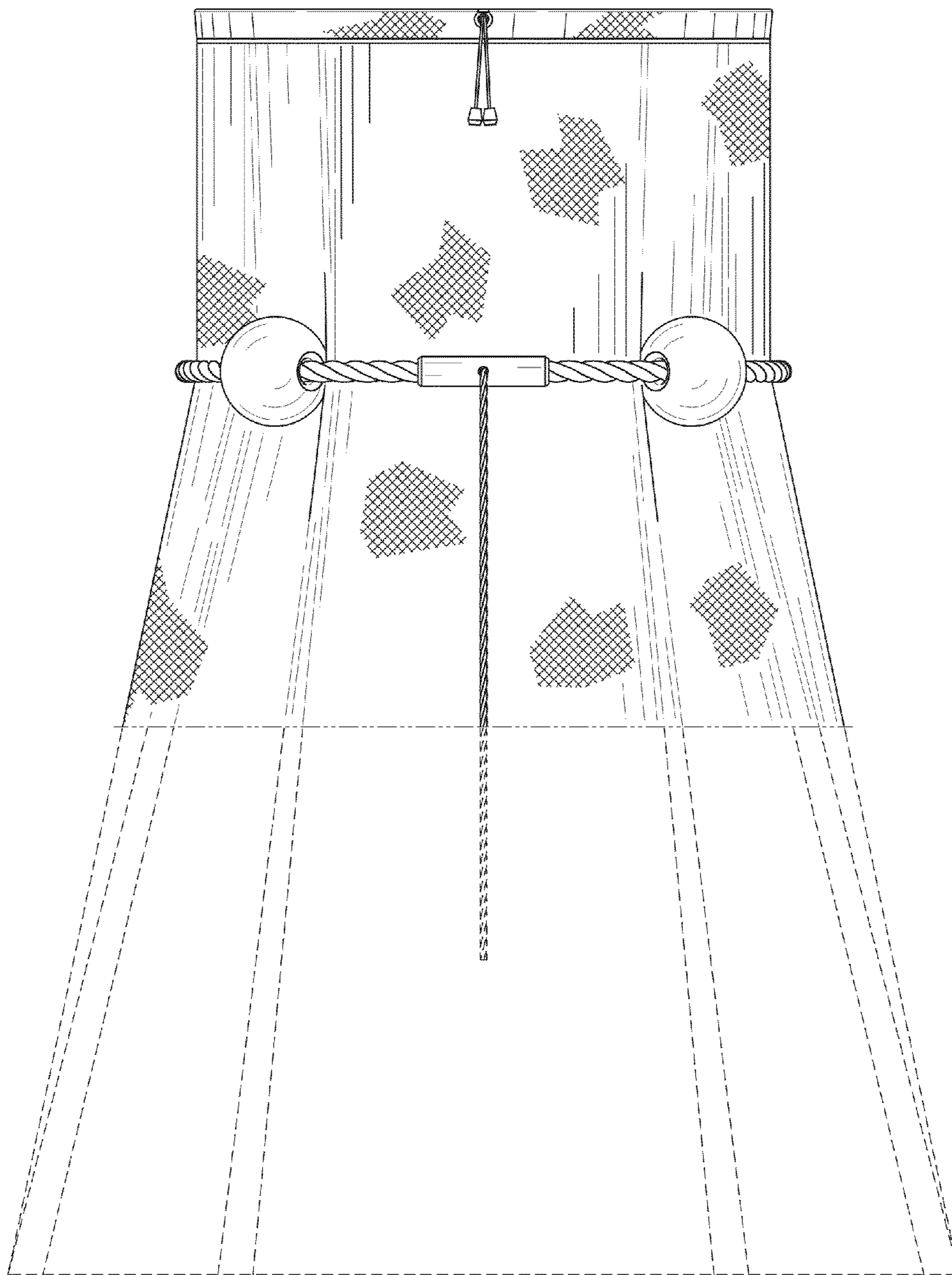


FIG. 2

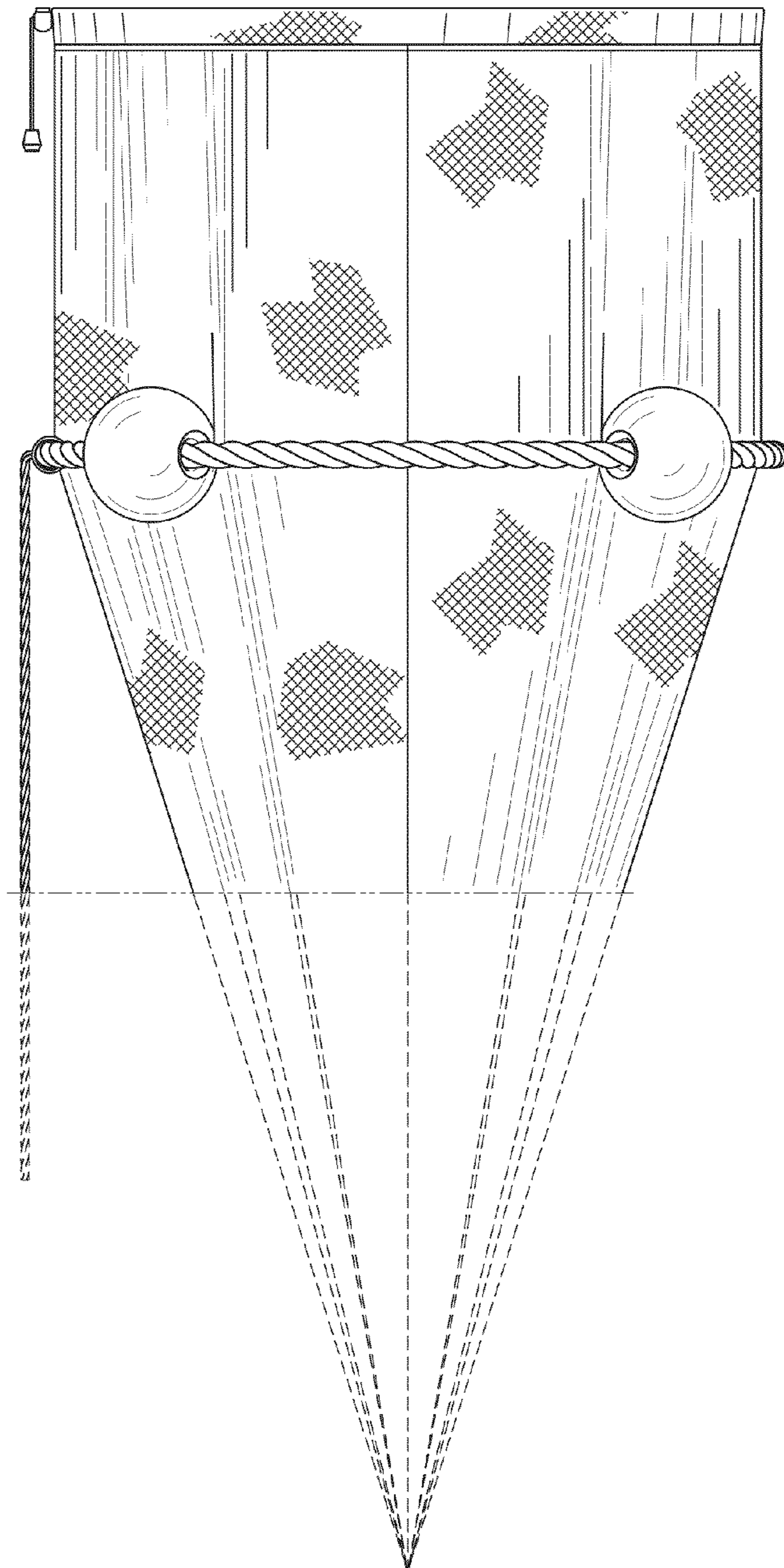


FIG. 3

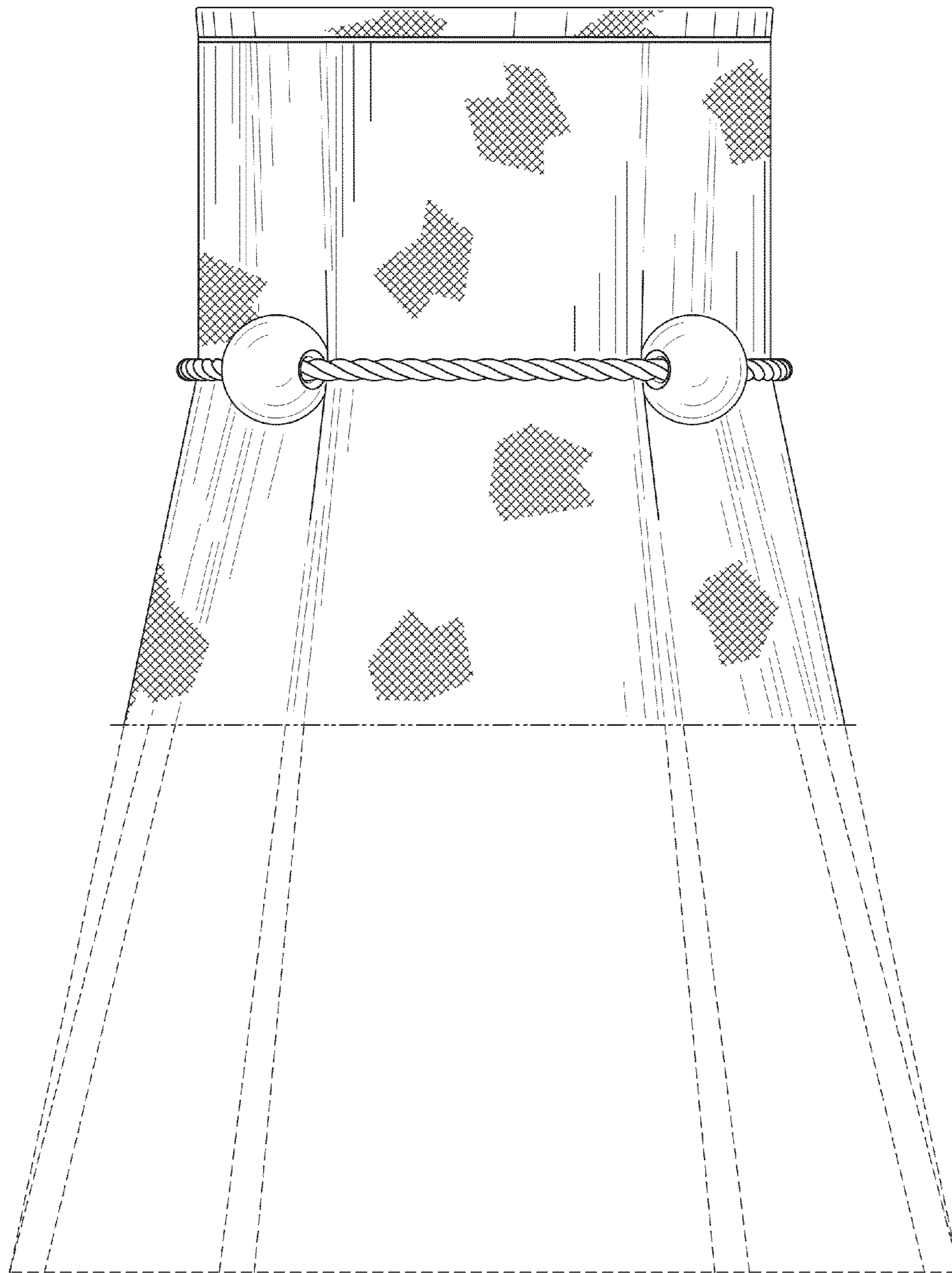


FIG. 4

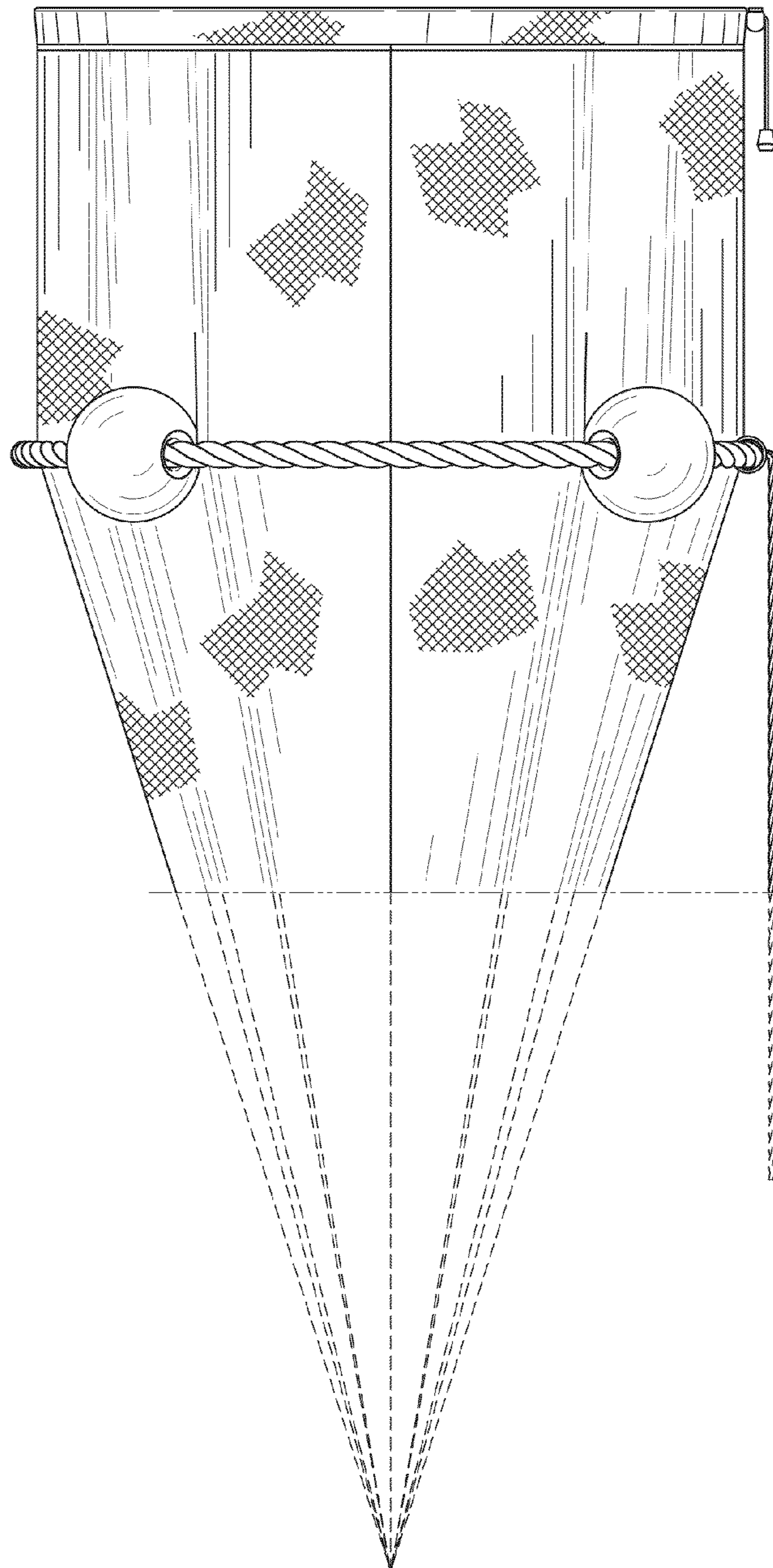


FIG. 5

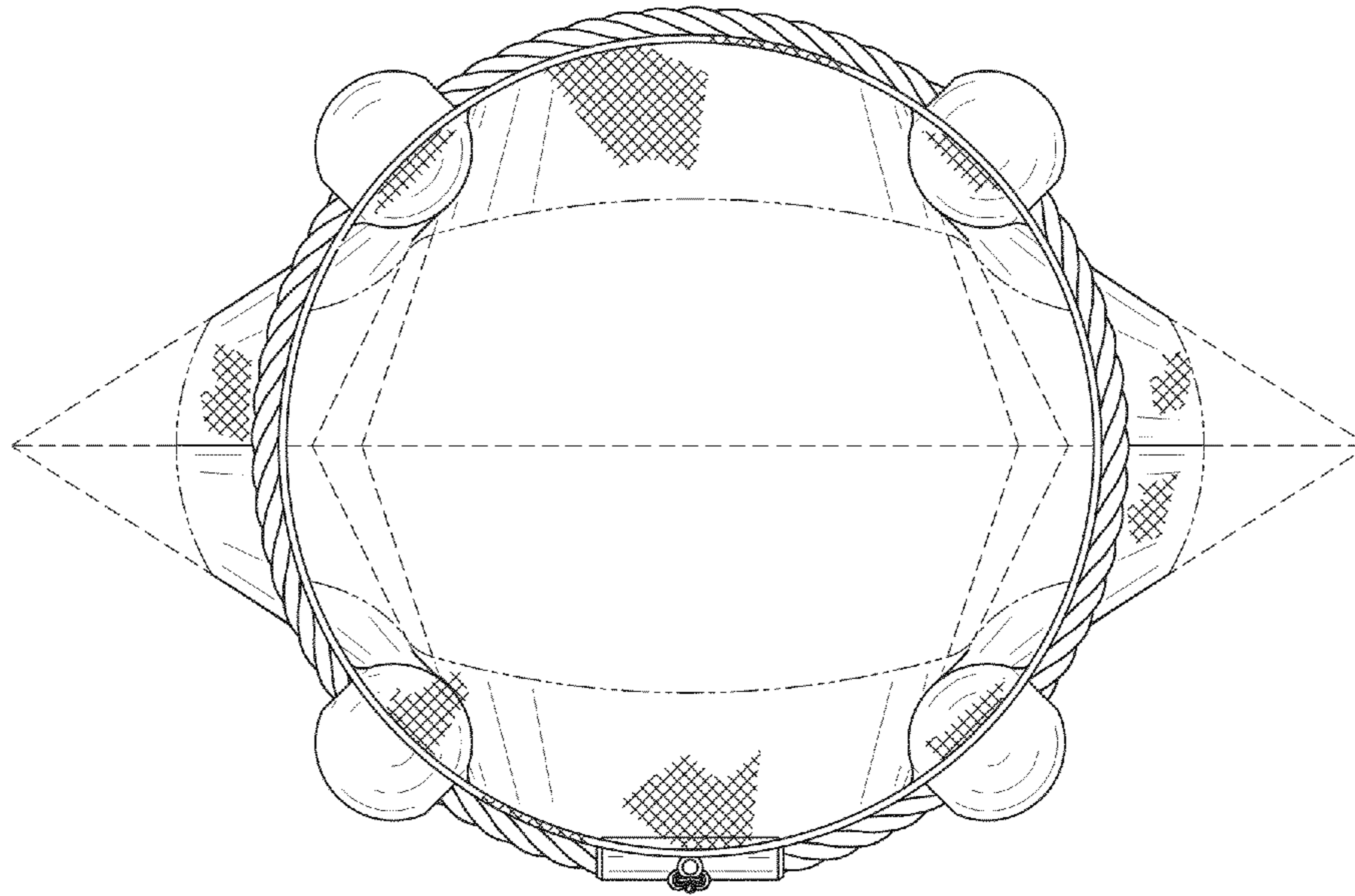


FIG. 6

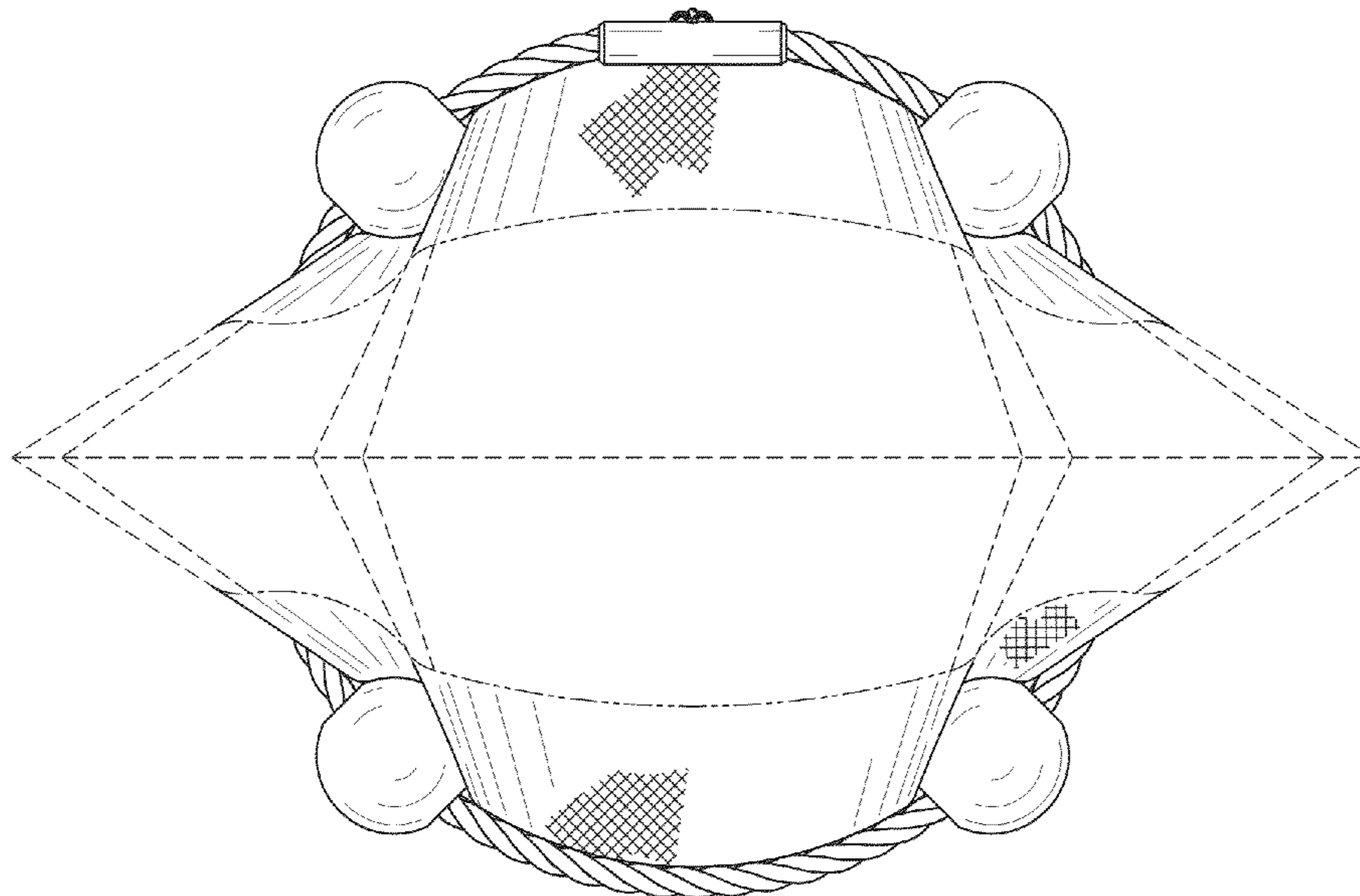


FIG. 7

UNITED STATES PATENT AND TRADEMARK OFFICE  
**CERTIFICATE OF CORRECTION**

PATENT NO. : D754,280 S  
APPLICATION NO. : 29/512836  
DATED : April 19, 2016  
INVENTOR(S) : Dennis W. Krieger et al.

Page 1 of 1

It is certified that error appears in the above-identified patent and that said Letters Patent is hereby corrected as shown below:

On the Title Page

Column 1, Item (73) Assignee: delete "Academy Ltd." and insert -- Academy, Ltd. --.

Signed and Sealed this  
Eleventh Day of July, 2017



Joseph Matal  
*Performing the Functions and Duties of the  
Under Secretary of Commerce for Intellectual Property and  
Director of the United States Patent and Trademark Office*