



US00D754278S

(12) **United States Design Patent**
Finkel

(10) **Patent No.:** **US D754,278 S**
(45) **Date of Patent:** **** Apr. 19, 2016**

- (54) **MOSQUITO REPELLANT CLIP**
- (71) Applicant: **Donna Finkel**, Fort Lauderdale, FL (US)
- (72) Inventor: **Donna Finkel**, Fort Lauderdale, FL (US)
- (**) Term: **15 Years**
- (21) Appl. No.: **29/541,836**
- (22) Filed: **Oct. 8, 2015**

4,258,874 A	3/1981	Webinger et al.	
4,374,571 A	2/1983	Hirvela	
D297,776 S *	9/1988	Bridges	D30/152
5,373,815 A	12/1994	Sagebiel	
D359,926 S *	7/1995	Plummer	D22/122
6,543,389 B2 *	4/2003	Hedde	A01K 27/007 119/654
D570,237 S *	6/2008	Goetzl	D30/152
7,427,417 B2	9/2008	Jendrucko et al.	
D619,308 S *	7/2010	Roysky	D30/152
D702,313 S *	4/2014	Partrat	D22/122
D702,315 S *	4/2014	Partrat	D22/122

* cited by examiner

Related U.S. Application Data

- (63) Continuation-in-part of application No. 13/798,697, filed on Mar. 13, 2013, now abandoned.
- (51) **LOC (10) Cl.** **22-06**
- (52) **U.S. Cl.**
USPC **D22/122; D22/119; D30/152**
- (58) **Field of Classification Search**
USPC D22/122, 119; D3/294; D30/144, 152;
119/654, 863
CPC ... A01K 27/00; A01K 27/007; A01M 1/2044;
A01M 29/12
See application file for complete search history.

Primary Examiner — Catheri Oliver-Garcia

(74) *Attorney, Agent, or Firm* — Robert C. Montgomery; Montgomery Patent & Design LP.

(57) **CLAIM**

The ornamental design for a mosquito repellent clip, as shown and described.

DESCRIPTION

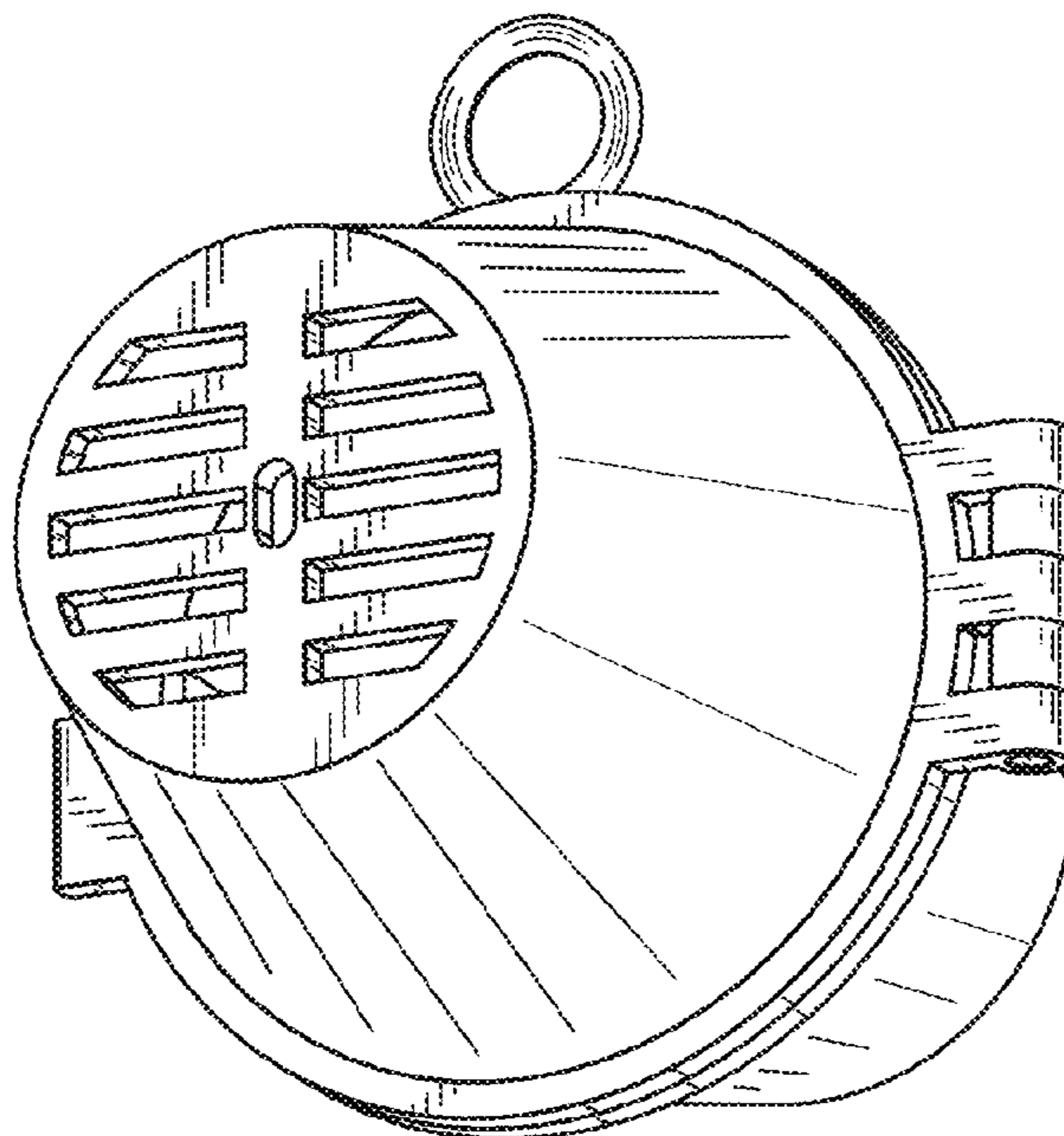
FIG. 1 is a front perspective view of a mosquito repellent clip showing my new design in an open position;
 FIG. 2 is a front view thereof;
 FIG. 3 is a rear view thereof;
 FIG. 4 is left side view thereof;
 FIG. 5 is a right side view thereof;
 FIG. 6 is a top view thereof;
 FIG. 7 is a bottom view thereof;
 FIG. 8 is a rear perspective view of the mosquito repellent clip shown in a closed position; and,
 FIG. 9 is a front perspective view thereof.

(56) **References Cited**

U.S. PATENT DOCUMENTS

D56,211 S *	8/1920	Vivaudou	D3/203.2
1,732,028 A	10/1929	Reiner	
1,780,407 A *	11/1930	Smith	A01M 1/2044 119/654
4,184,452 A	1/1980	Buzzell et al.	
4,224,901 A *	9/1980	Carey, Jr.	A01K 27/007 119/654

1 Claim, 9 Drawing Sheets



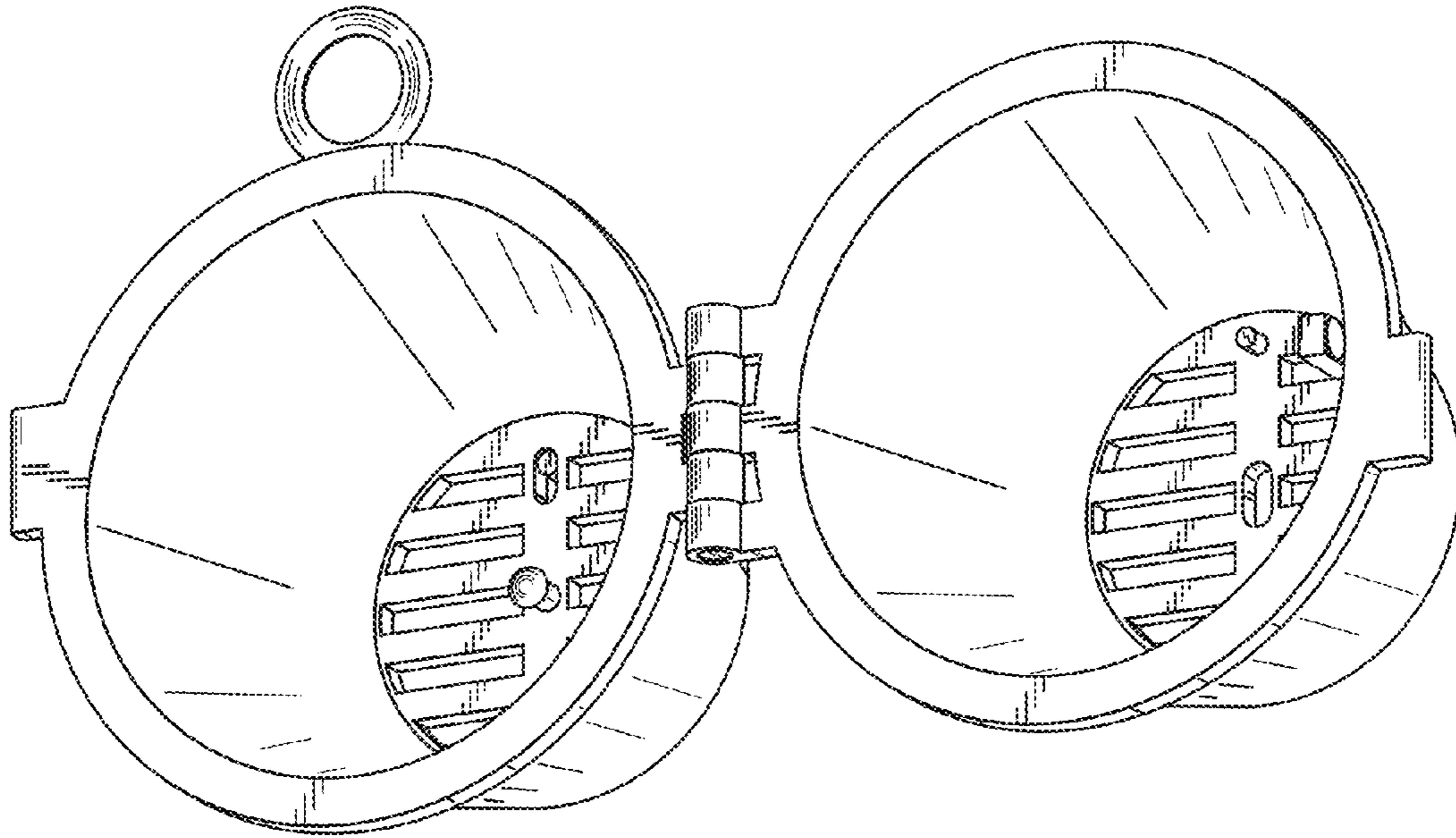


Fig. 1

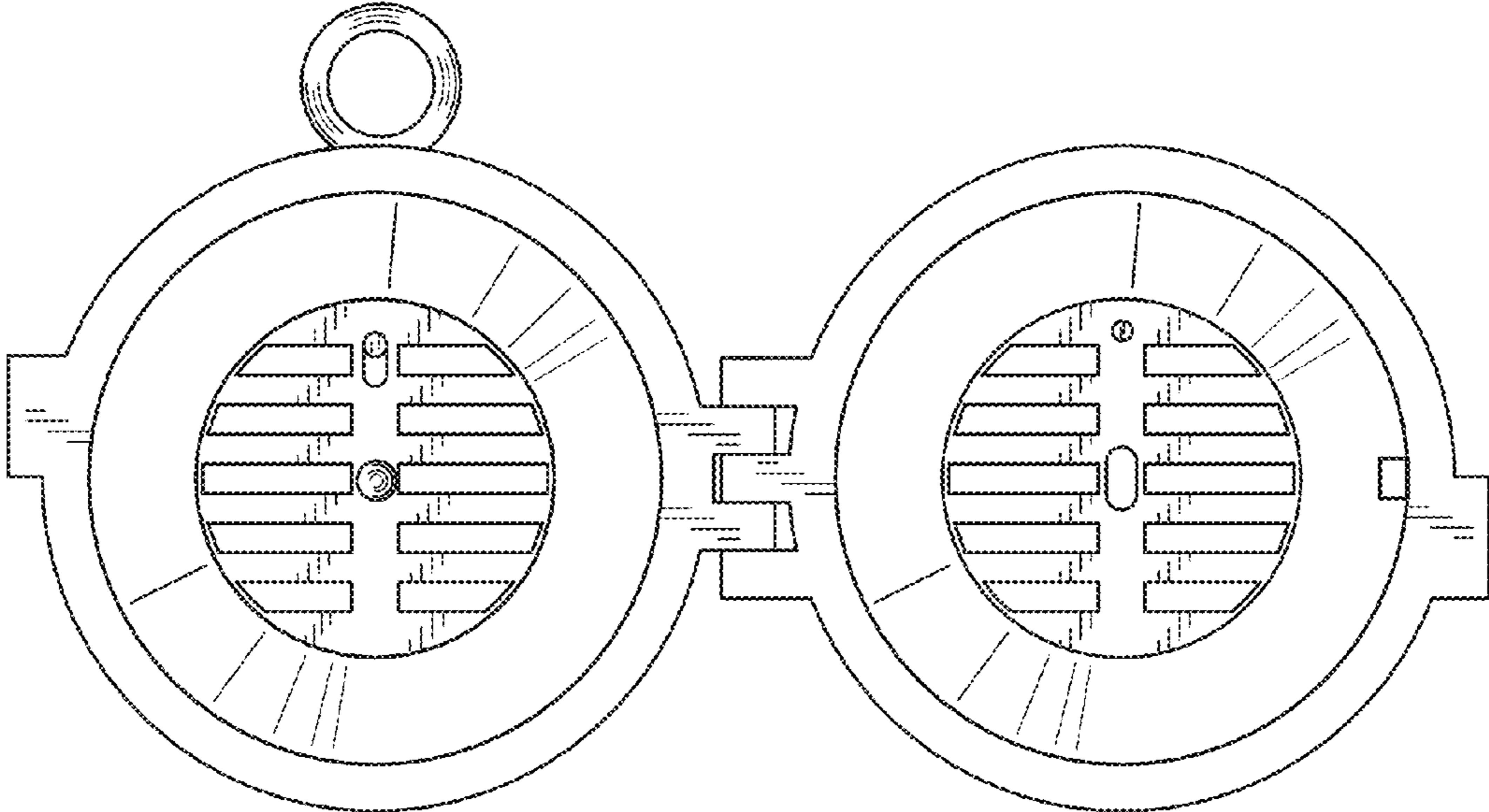


Fig. 2

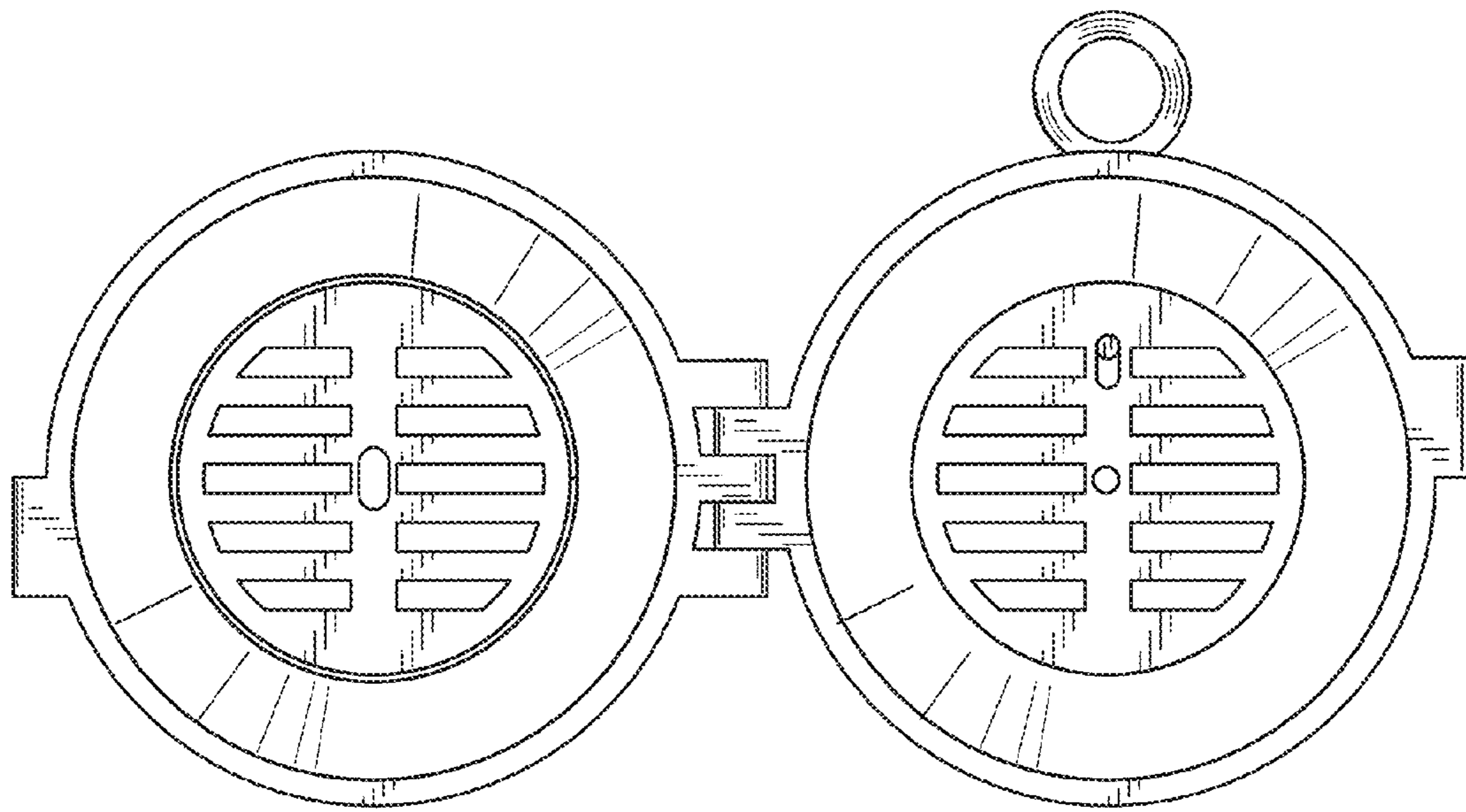


Fig. 3

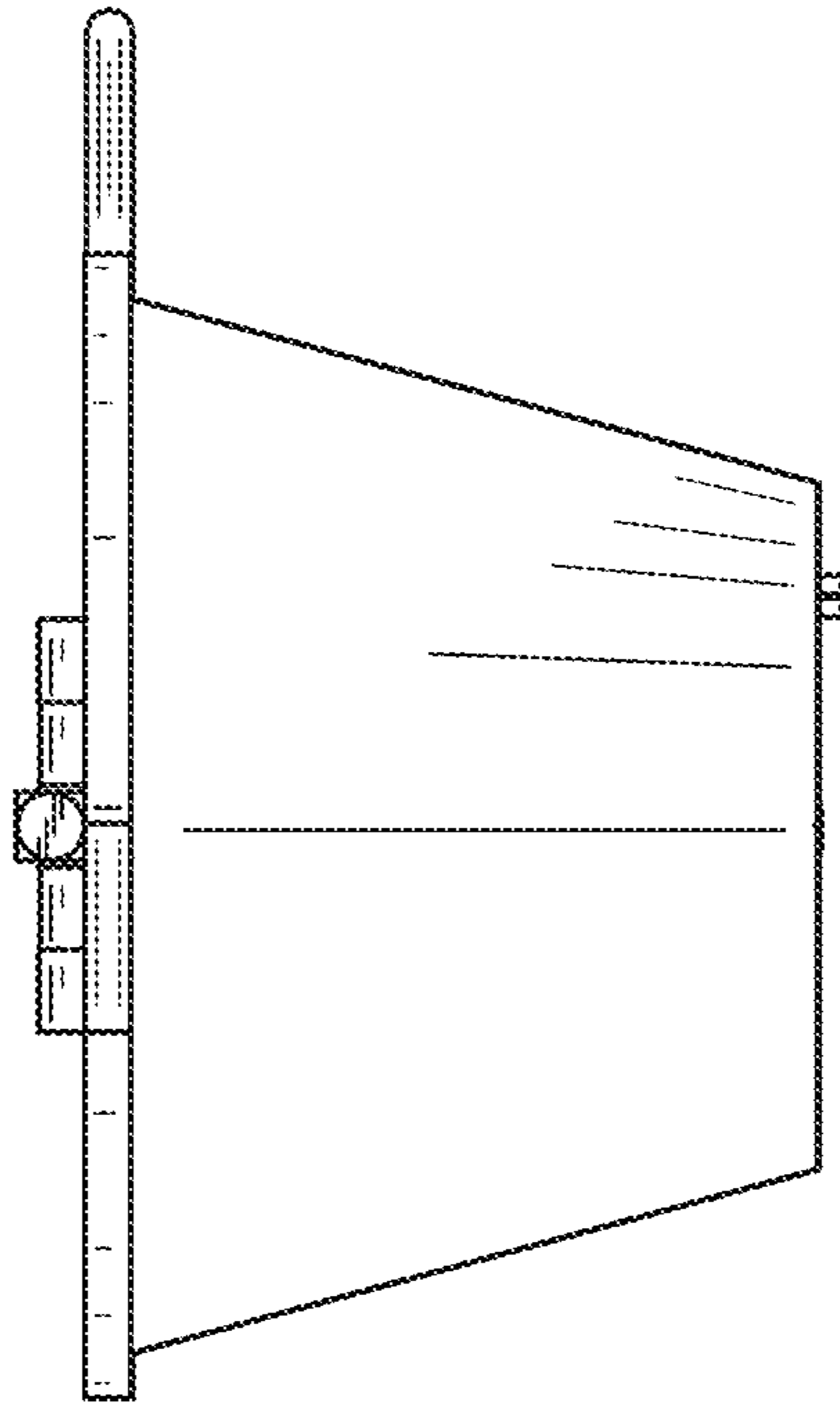


Fig. 4

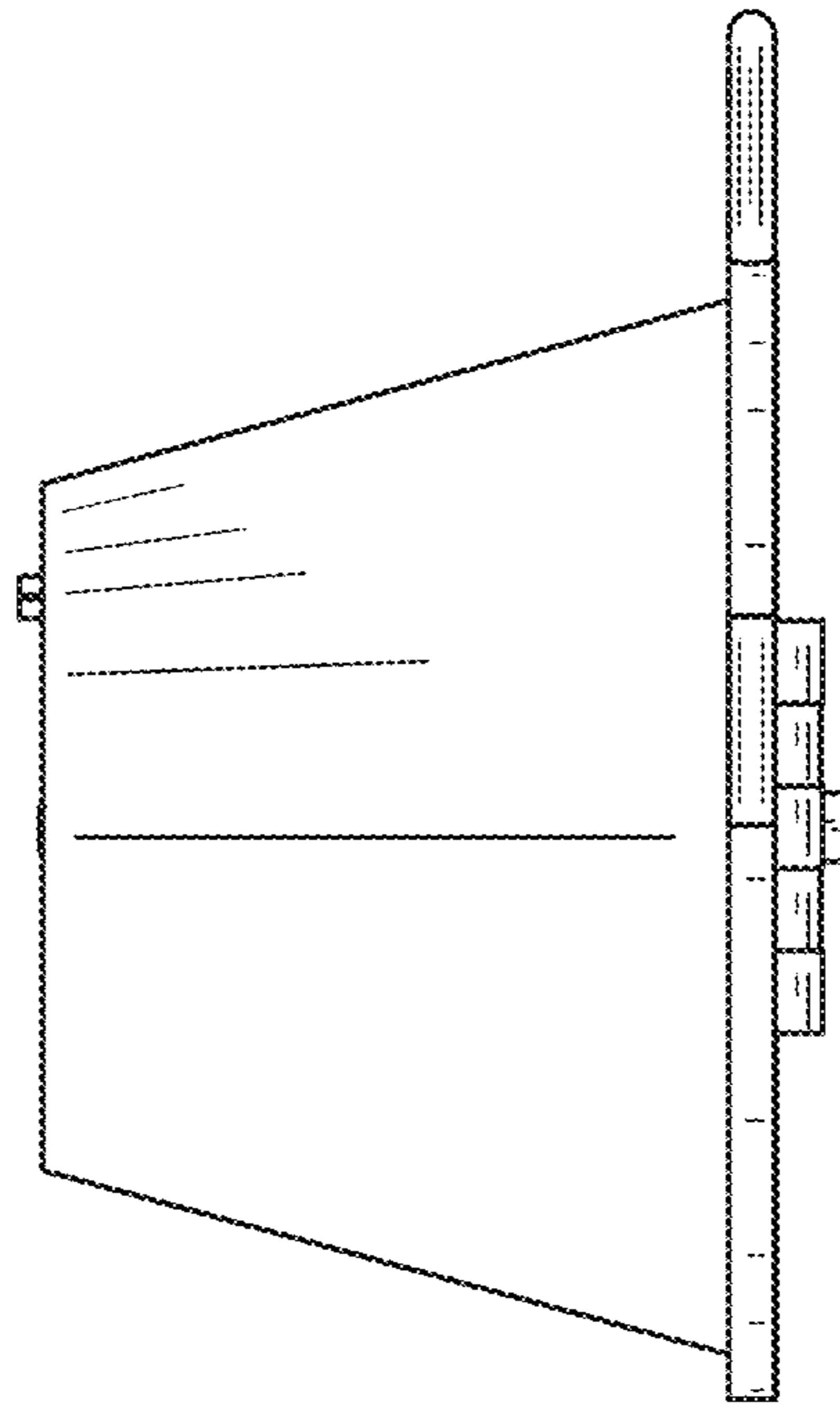


Fig. 5

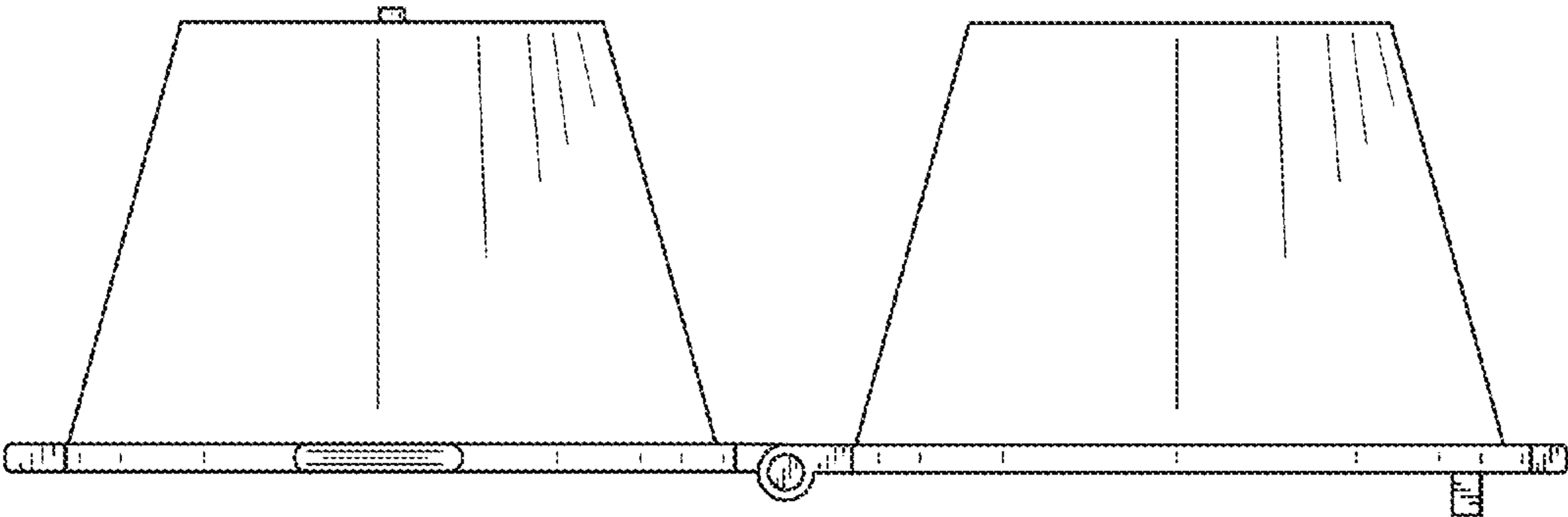


Fig. 6

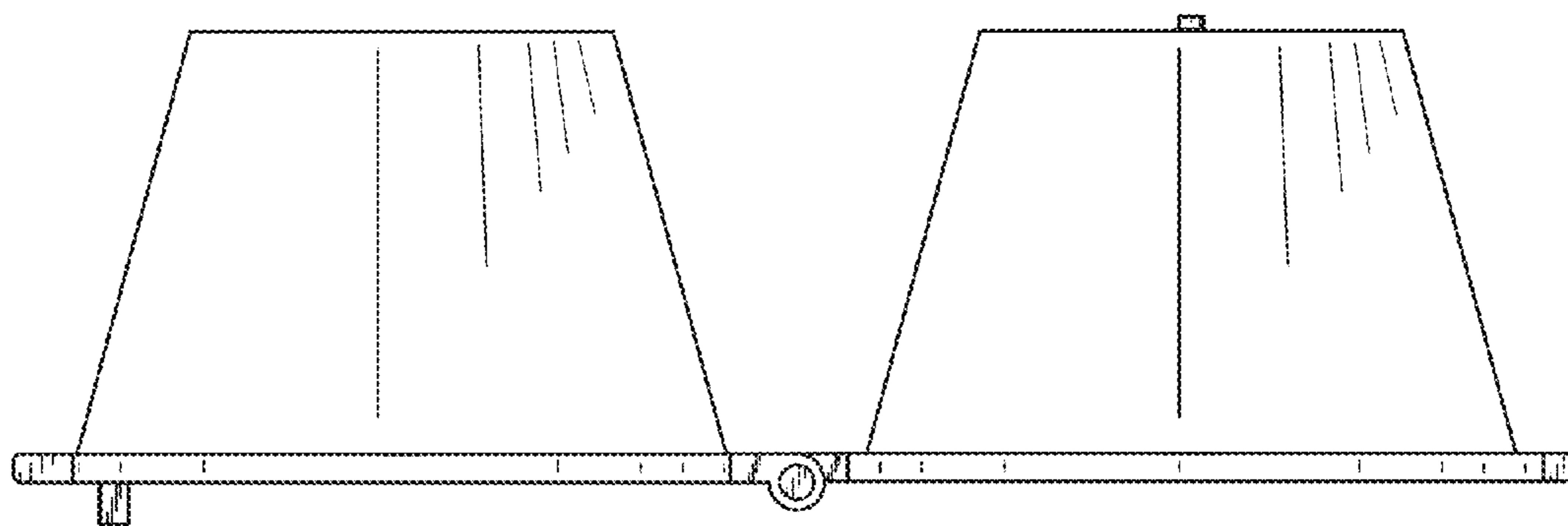


Fig. 7

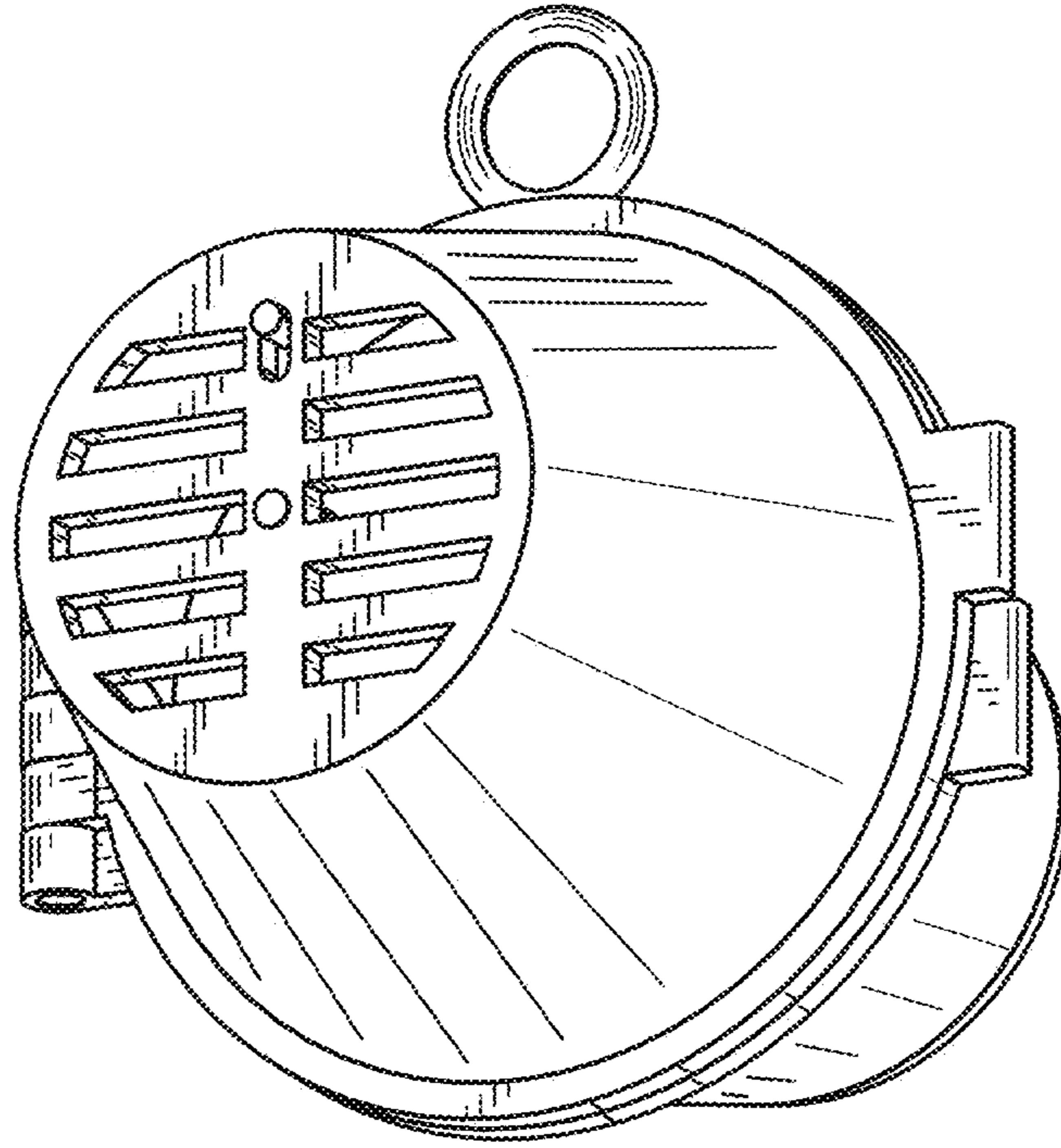


Fig. 8

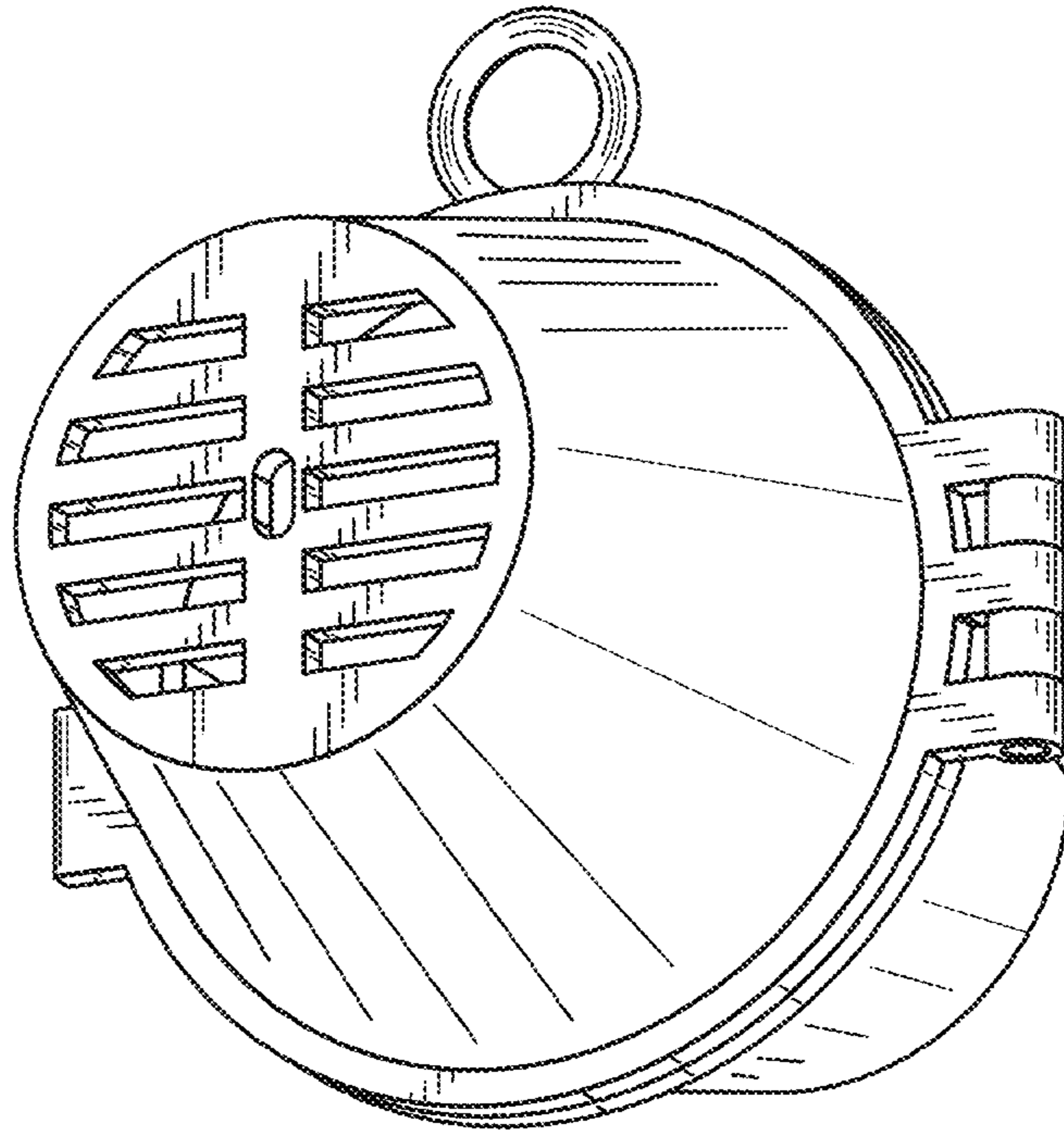


Fig. 9