



US00D754277S

(12) **United States Design Patent**  
**Wisecup et al.**

(10) **Patent No.:** **US D754,277 S**  
(45) **Date of Patent:** **\*\* Apr. 19, 2016**

- (54) **LOCKABLE BATON HOLSTER** 4,955,518 A \* 9/1990 Parsons ..... A45F 5/02  
224/247
- (71) Applicants: **Arthur L. Wisecup**, Brooksville, FL 5,449,104 A 9/1995 Parsons et al.  
(US); **Steven D. Wisecup**, Brooksville, FL (US) 5,839,630 A 11/1998 Dunstan et al.  
6,497,349 B1 \* 12/2002 Ramirez ..... A45F 5/00  
224/200
- (72) Inventors: **Arthur L. Wisecup**, Brooksville, FL 6,889,878 B2 5/2005 Parsons  
(US); **Steven D. Wisecup**, Brooksville, FL (US) D535,471 S \* 1/2007 Parsons ..... D22/117  
7,185,796 B2 \* 3/2007 Parsons ..... A45F 5/02  
224/197
- (\*\*) Term: **14 Years** 7,210,604 B2 \* 5/2007 Kostal ..... A45F 5/02  
224/197
- (21) Appl. No.: **29/510,577** D717,393 S \* 11/2014 Clifton, Jr. .... D22/117  
2005/0082321 A1 4/2005 Macierowski
- (22) Filed: **Dec. 1, 2014** 2007/0045364 A1 3/2007 Grundy et al.

\* cited by examiner

*Primary Examiner* — Catheri Oliver-Garcia  
(74) *Attorney, Agent, or Firm* — Robert C Montgomery;  
Montgomery Patent & Design

**Related U.S. Application Data**

- (63) Continuation of application No. 13/251,883, filed on Oct. 3, 2011, now abandoned.
- (51) **LOC (10) Cl.** ..... **22-01**
- (52) **U.S. Cl.**  
USPC ..... **D22/117**
- (58) **Field of Classification Search**  
USPC ..... D22/117; 248/410; 224/197, 200, 245,  
224/247, 251, 514, 521, 678, 914  
CPC ..... A45F 5/00; A45F 5/02; A45F 5/14;  
A45F 5/021  
See application file for complete search history.

(57) **CLAIM**

The ornamental design for a lockable baton holster, as shown and described.

**DESCRIPTION**

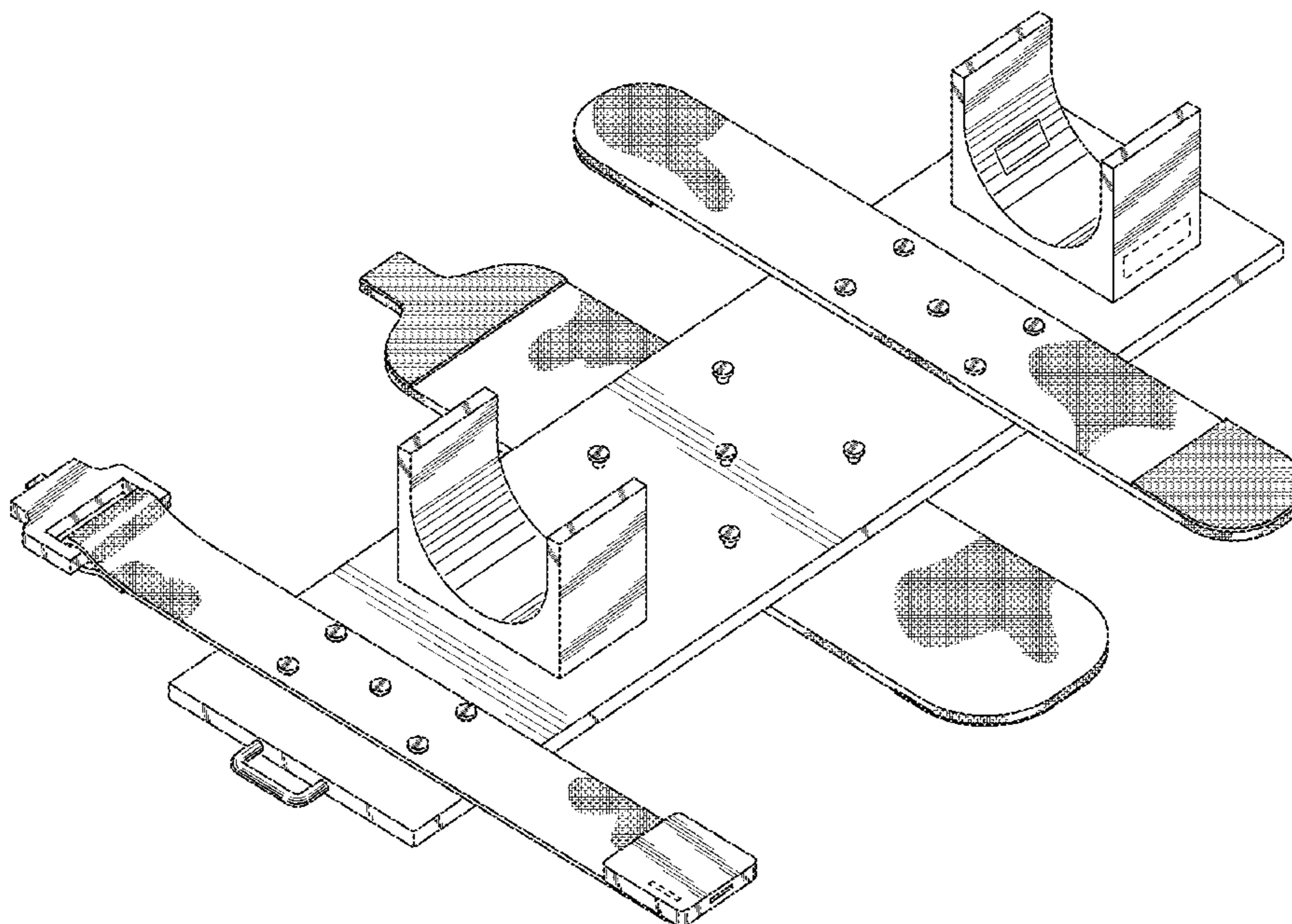
FIG. 1 is a perspective front to back view of the lockable baton holster, showing my new design;  
FIG. 2 is a front view thereof;  
FIG. 3 is a rear view thereof;  
FIG. 4 is a left side view thereof;  
FIG. 5 is a right side view thereof;  
FIG. 6 is a top view thereof; and,  
FIG. 7 is a bottom view thereof.  
The dashed lines are intended to show boundary areas and form no part of the design thereof.

(56) **References Cited**

**U.S. PATENT DOCUMENTS**

- 4,662,552 A 5/1987 Uyehara
- 4,694,981 A 9/1987 Miller, Jr.

**1 Claim, 7 Drawing Sheets**



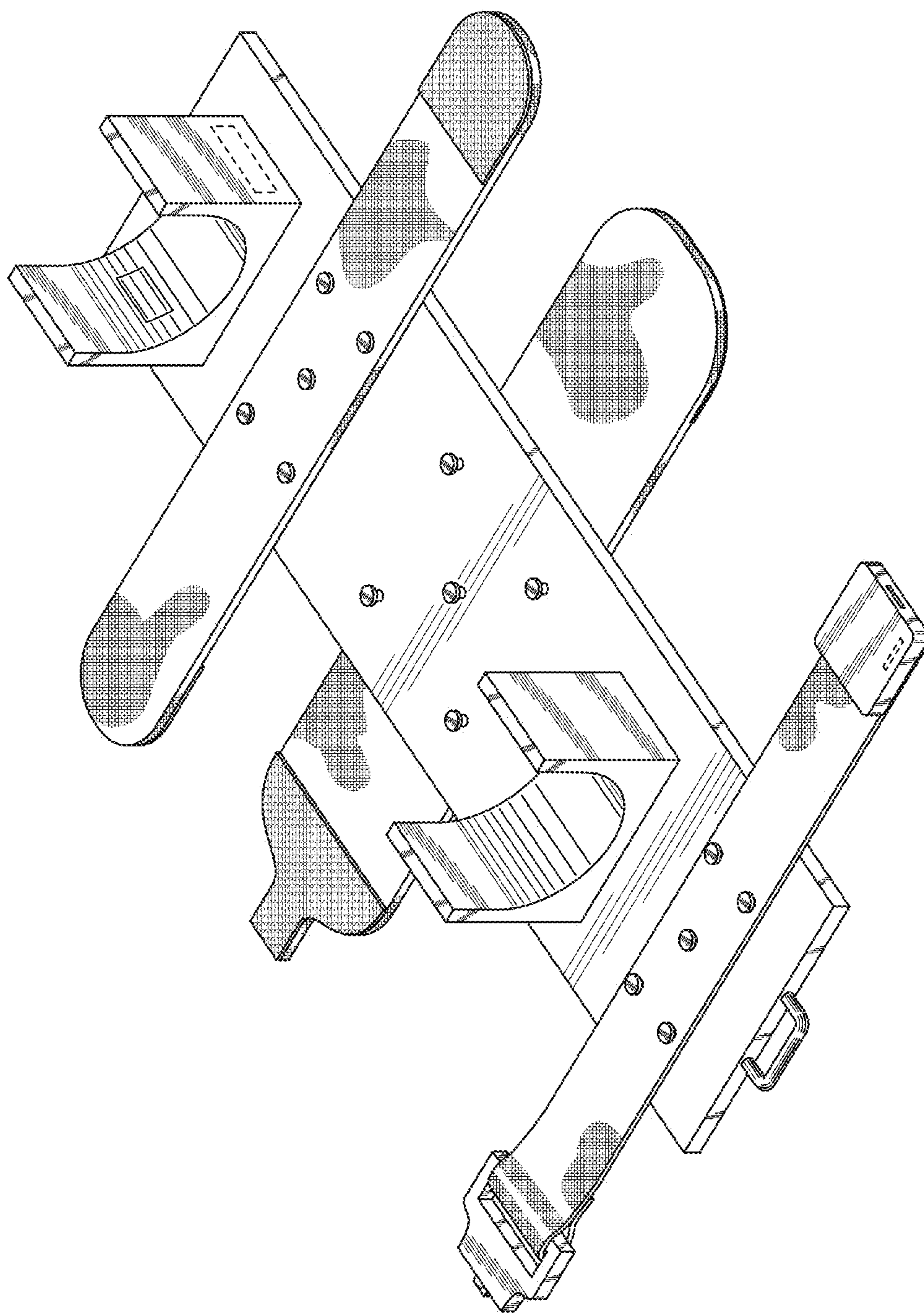


Fig. 1

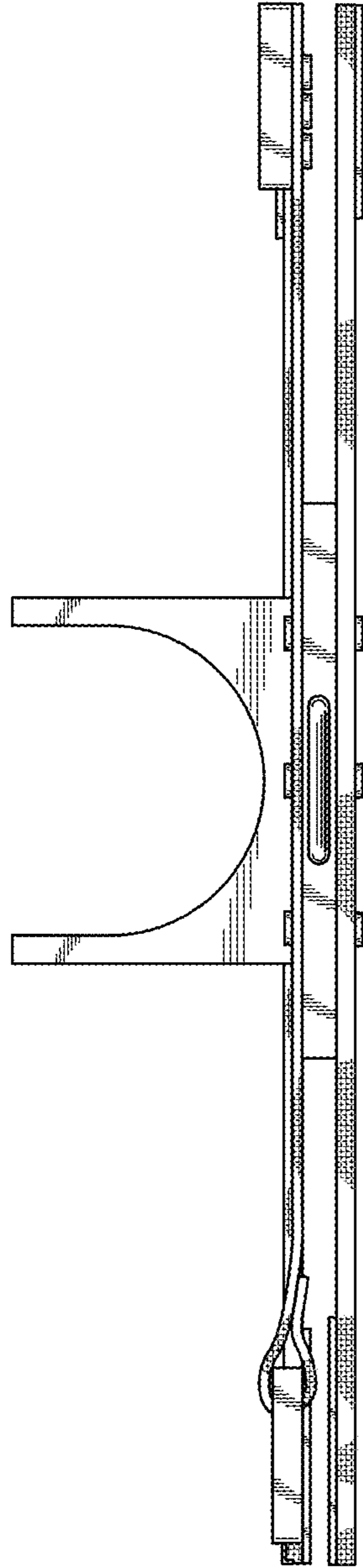


Fig. 2



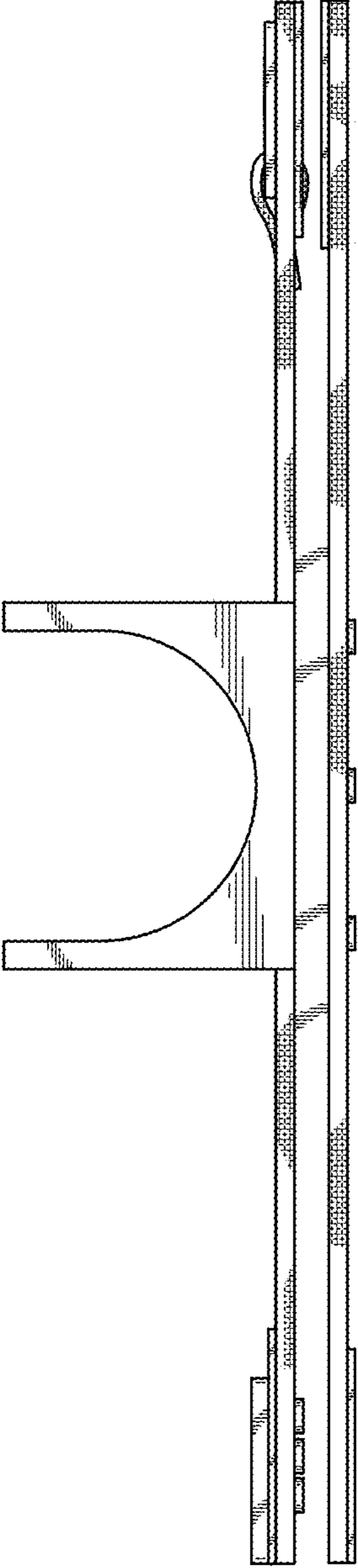


Fig. 3

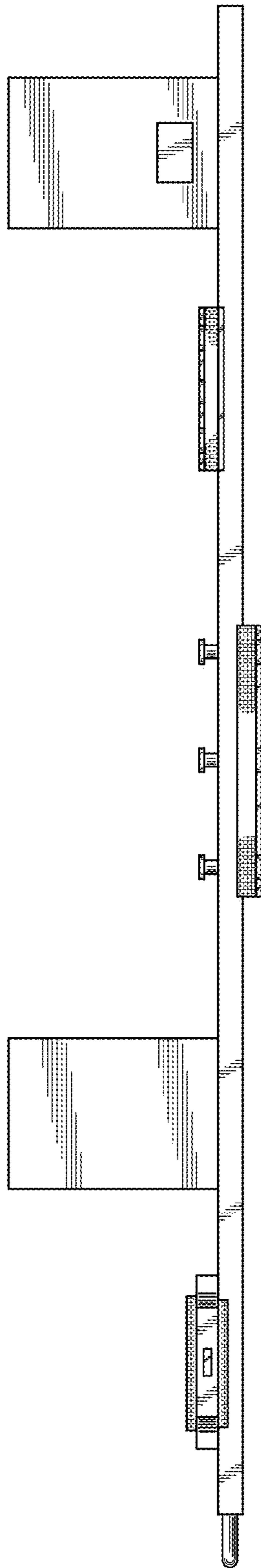


Fig. 4

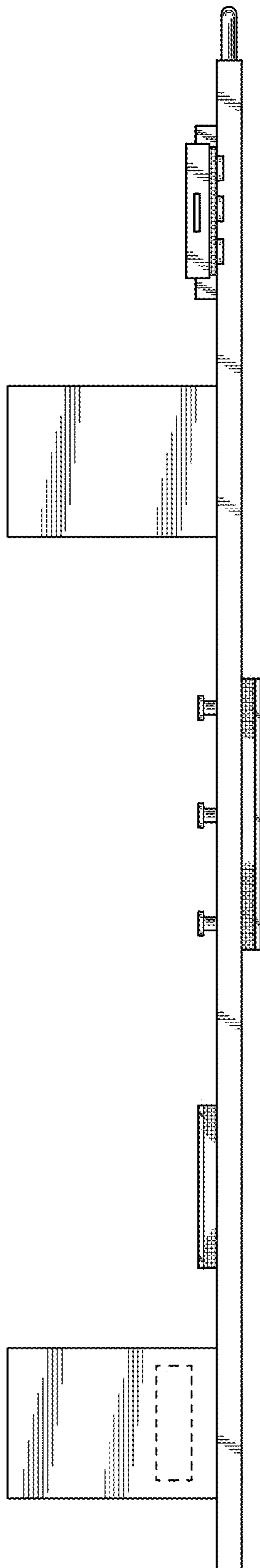


Fig. 5

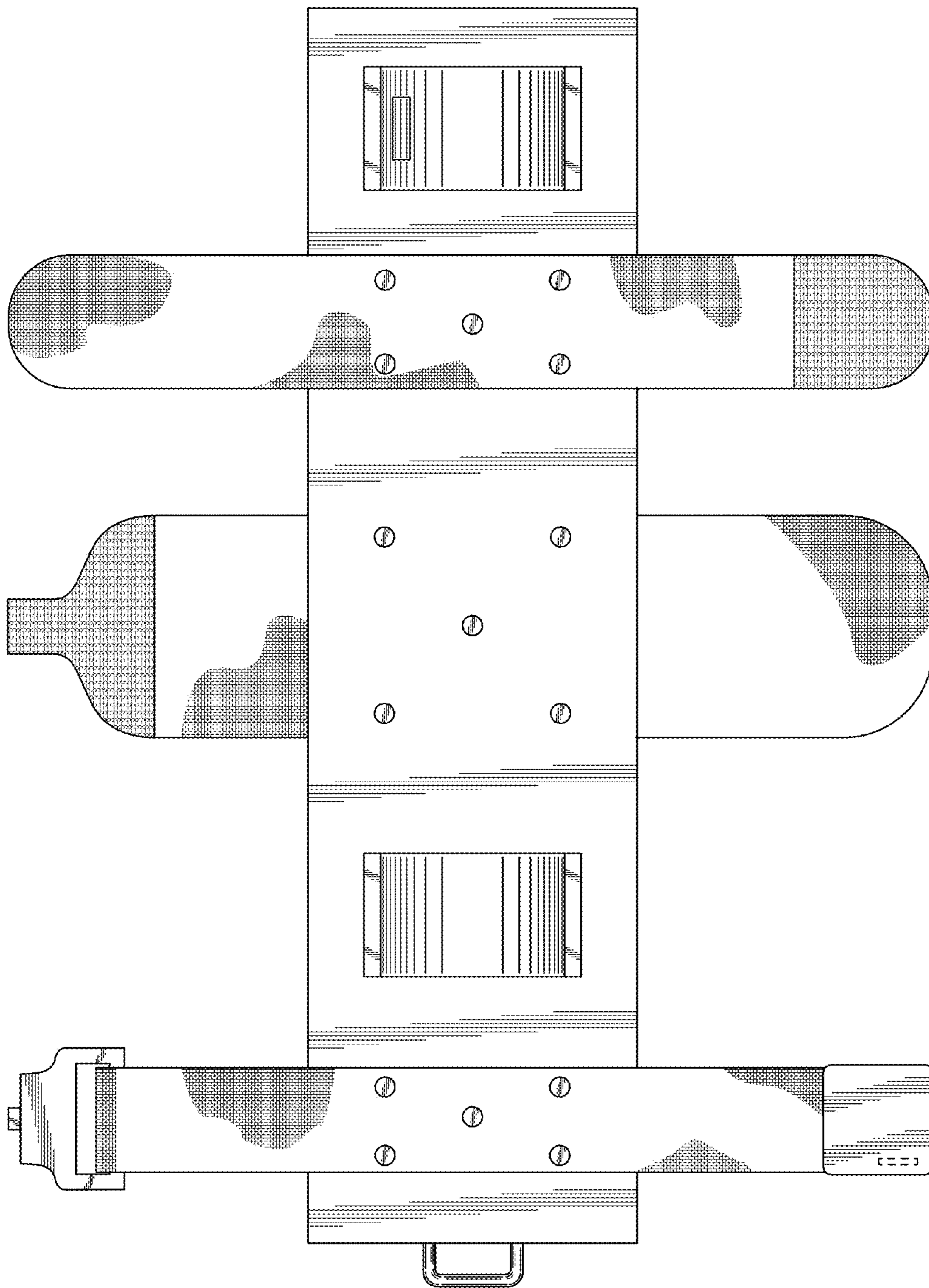


Fig. 6

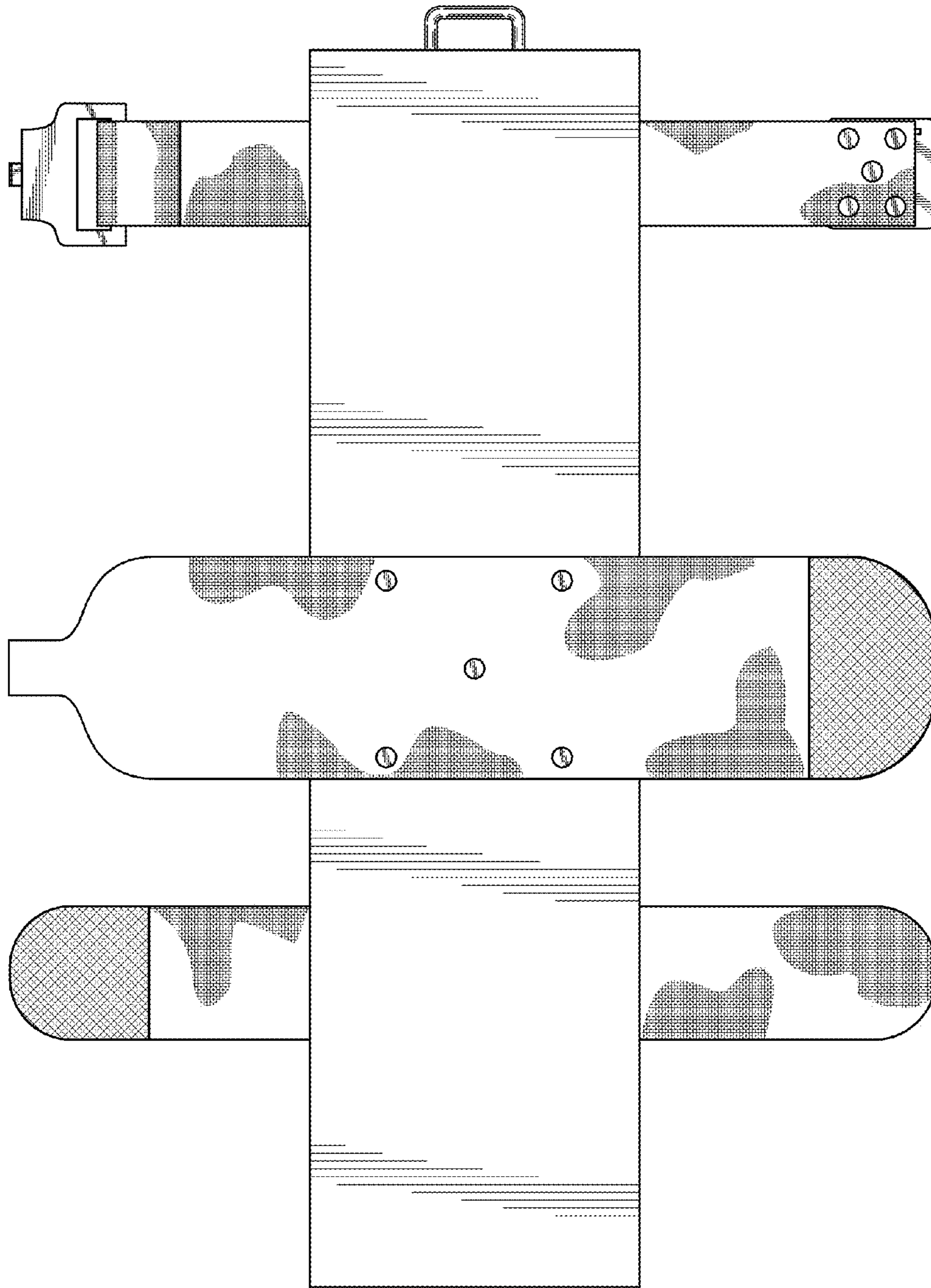


Fig. 7