



US00D754275S

(12) **United States Design Patent**
Geissele

(10) **Patent No.:** **US D754,275 S**

(45) **Date of Patent:** **** Apr. 19, 2016**

(54) **MUZZLE BRAKE**

(71) Applicant: **WHG Properties, LLC**, North Wales,
PA (US)

(72) Inventor: **William H. Geissele**, Lower Gwynedd,
PA (US)

(73) Assignee: **WHG Properties, LLC**, North Wales,
PA (US)

(**) Term: **14 Years**

(21) Appl. No.: **29/512,552**

(22) Filed: **Dec. 19, 2014**

(51) **LOC (10) Cl.** **22-01**

(52) **U.S. Cl.**
USPC **D22/108**

(58) **Field of Classification Search**
USPC D22/108
CPC F41A 21/34; F41A 21/325; F41A 21/32;
F41A 21/28

See application file for complete search history.

(56) **References Cited**

U.S. PATENT DOCUMENTS

D158,792 S *	5/1950	Powell et al.	42/79
D158,794 S *	5/1950	Powell	42/79
5,596,161 A *	1/1997	Sommers	F41A 21/34 89/14.2
6,752,062 B2 *	6/2004	Vais	F41A 21/36 89/14.3
7,861,636 B1 *	1/2011	Hoffman	F41A 21/34 89/14.2
D666,687 S *	9/2012	Nierenberg	D22/108
D692,086 S *	10/2013	Nierenberg	D22/108
D694,355 S *	11/2013	Hormann	D22/108

D711,491 S *	8/2014	Nierenberg	D22/108
D729,894 S *	5/2015	DeLuca	D22/108
2010/0282056 A1 *	11/2010	Hung	F41A 21/34 89/14.2
2011/0271575 A1 *	11/2011	Overbeek Bloem ..	F41A 21/325 42/90
2012/0048100 A1 *	3/2012	Davies	F41A 21/34 89/14.2

* cited by examiner

Primary Examiner — Michael A Pratt

(74) *Attorney, Agent, or Firm* — Merchant & Gould, P.C.

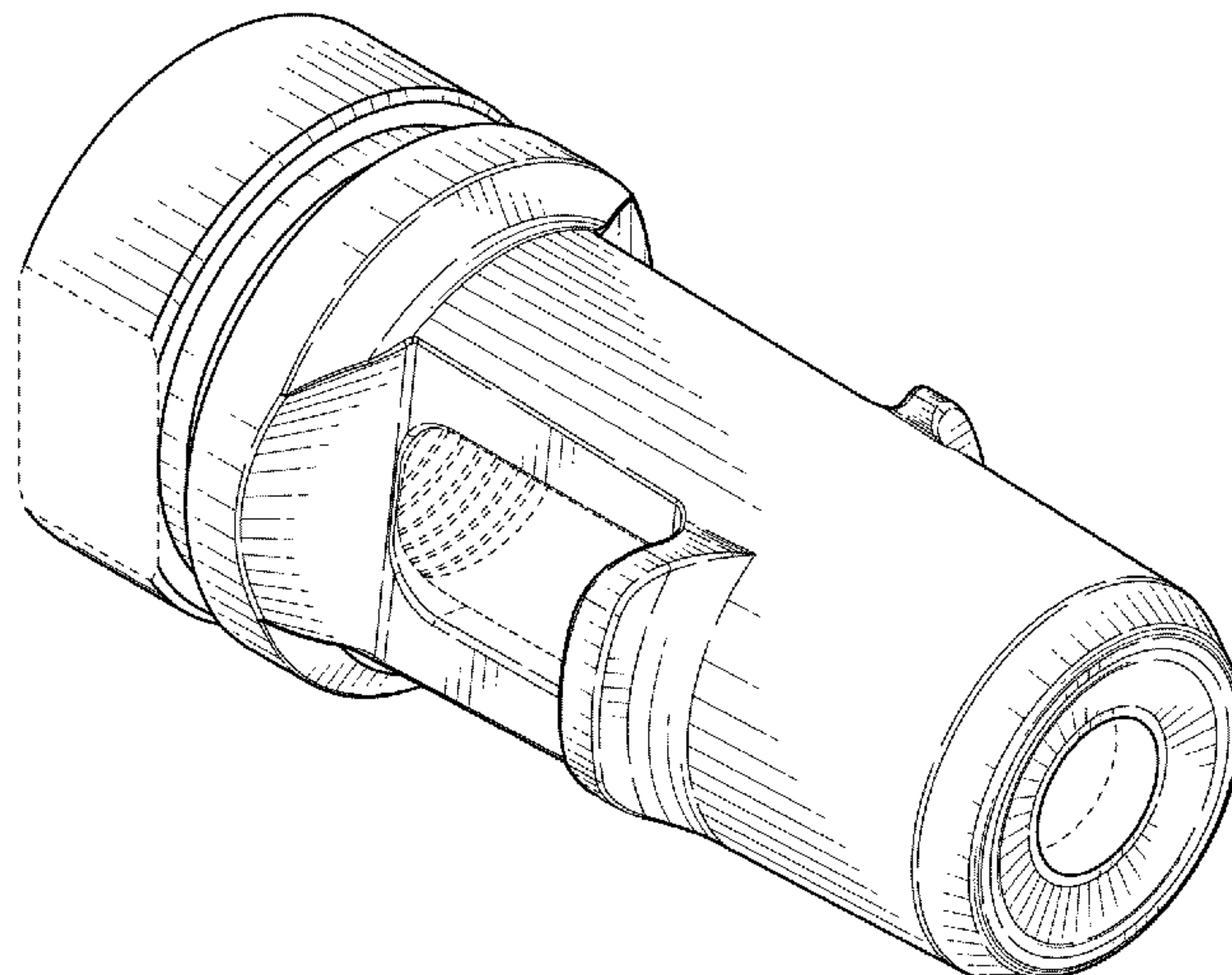
(57) **CLAIM**

The ornamental design for a muzzle brake, as shown and described.

DESCRIPTION

FIG. 1 is a front right isometric view of a muzzle brake according to the present disclosure;
 FIG. 2 is a rear elevation view of the muzzle brake of FIG. 1;
 FIG. 3 is a front elevation view of the muzzle brake of FIG. 1;
 FIG. 4 is a right side elevation view of the muzzle brake of FIG. 1;
 FIG. 5 is a left side elevation view of the muzzle brake of FIG. 1;
 FIG. 6 is a top view of the muzzle brake of FIG. 1;
 FIG. 7 is a bottom view of the muzzle brake of FIG. 1;
 FIG. 8 is a top cross-sectional view of the muzzle brake of FIG. 1 along the line 8-8 of FIG. 3; and,
 FIG. 9 is a right side cross-sectional view of the muzzle brake of FIG. 1 along the line 9-9 of FIG. 2.
 The broken lines in the Figures are for illustrative purposes only and form no part of the claimed design.

1 Claim, 5 Drawing Sheets



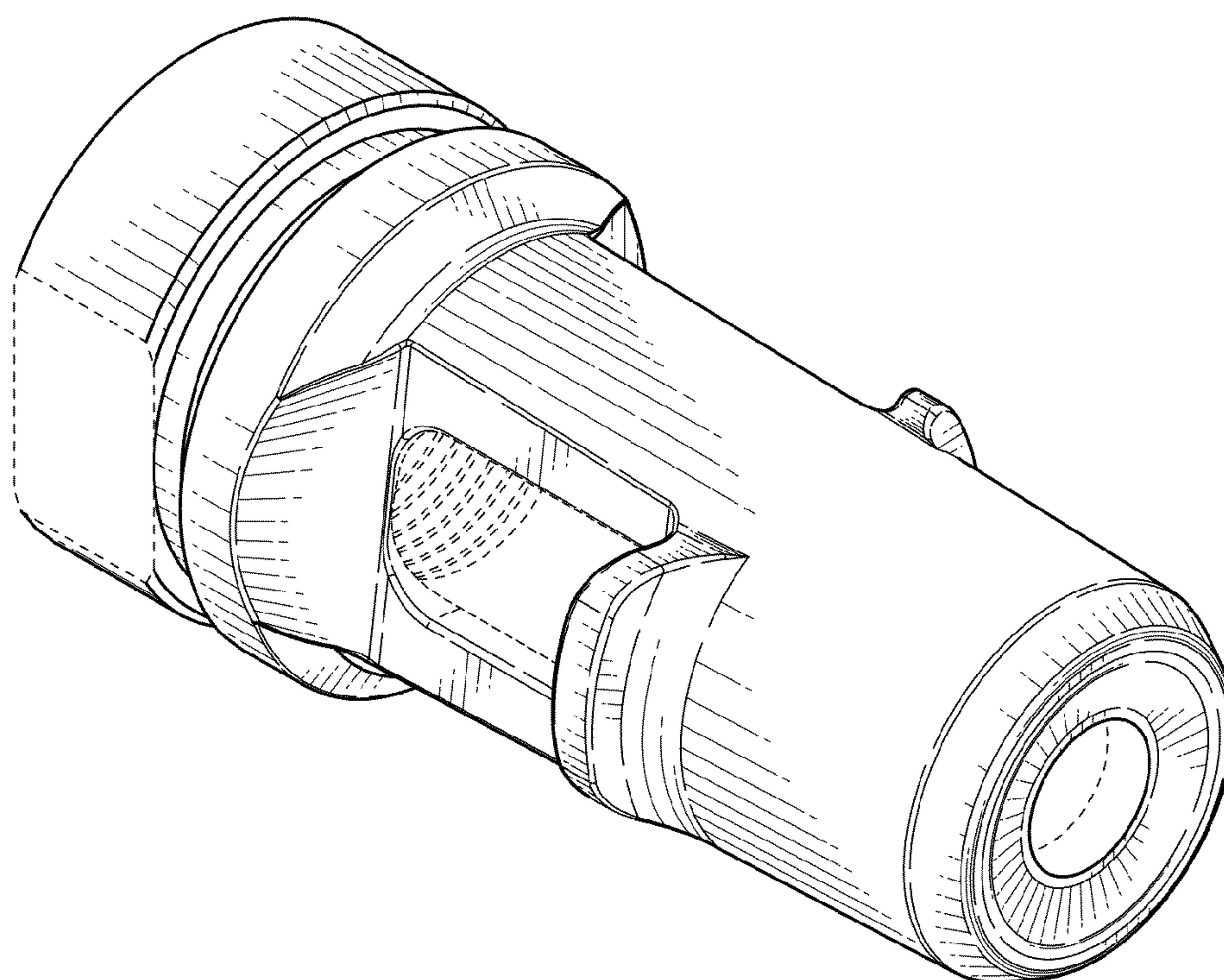


FIG. 1

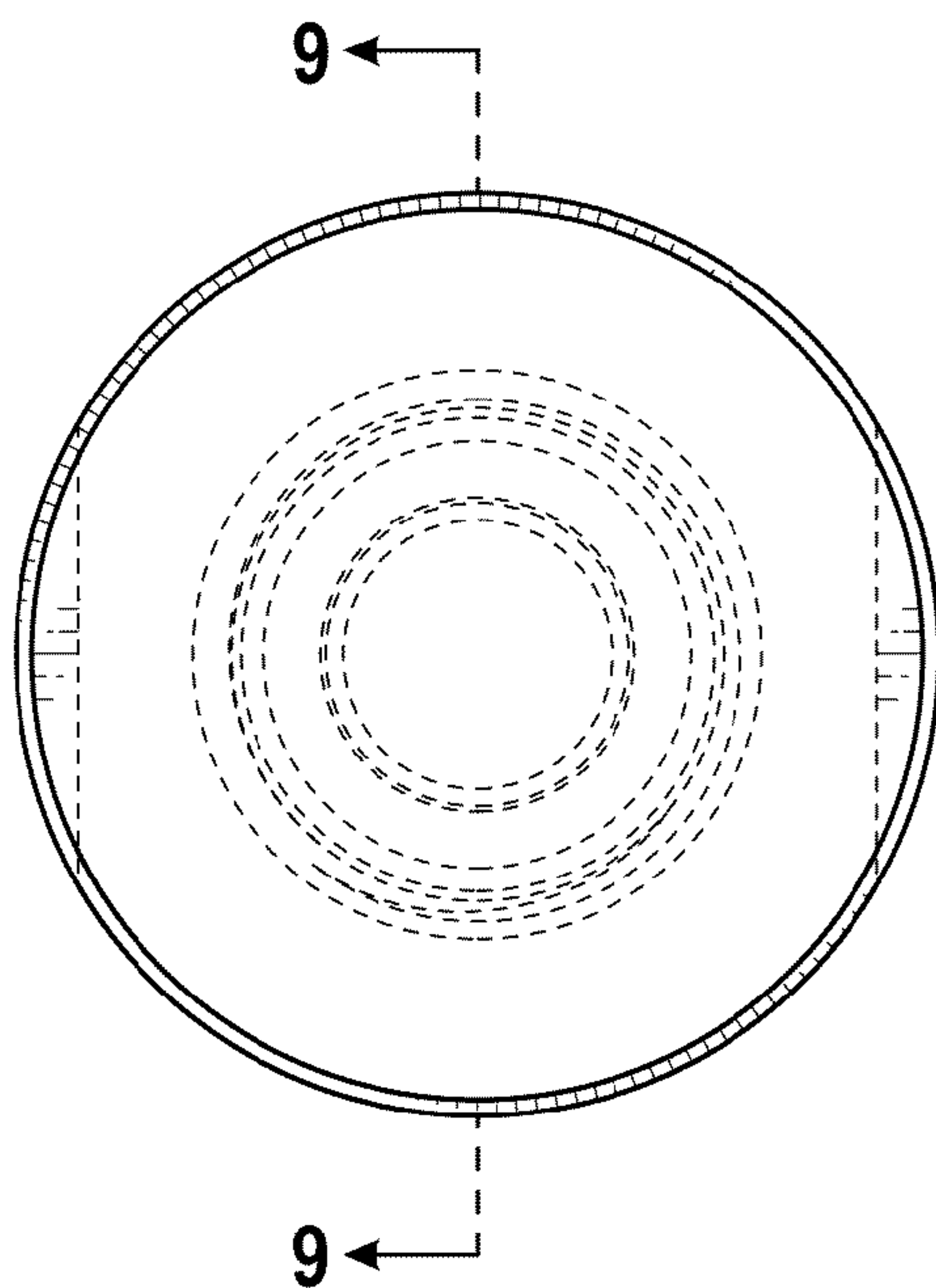


FIG. 2

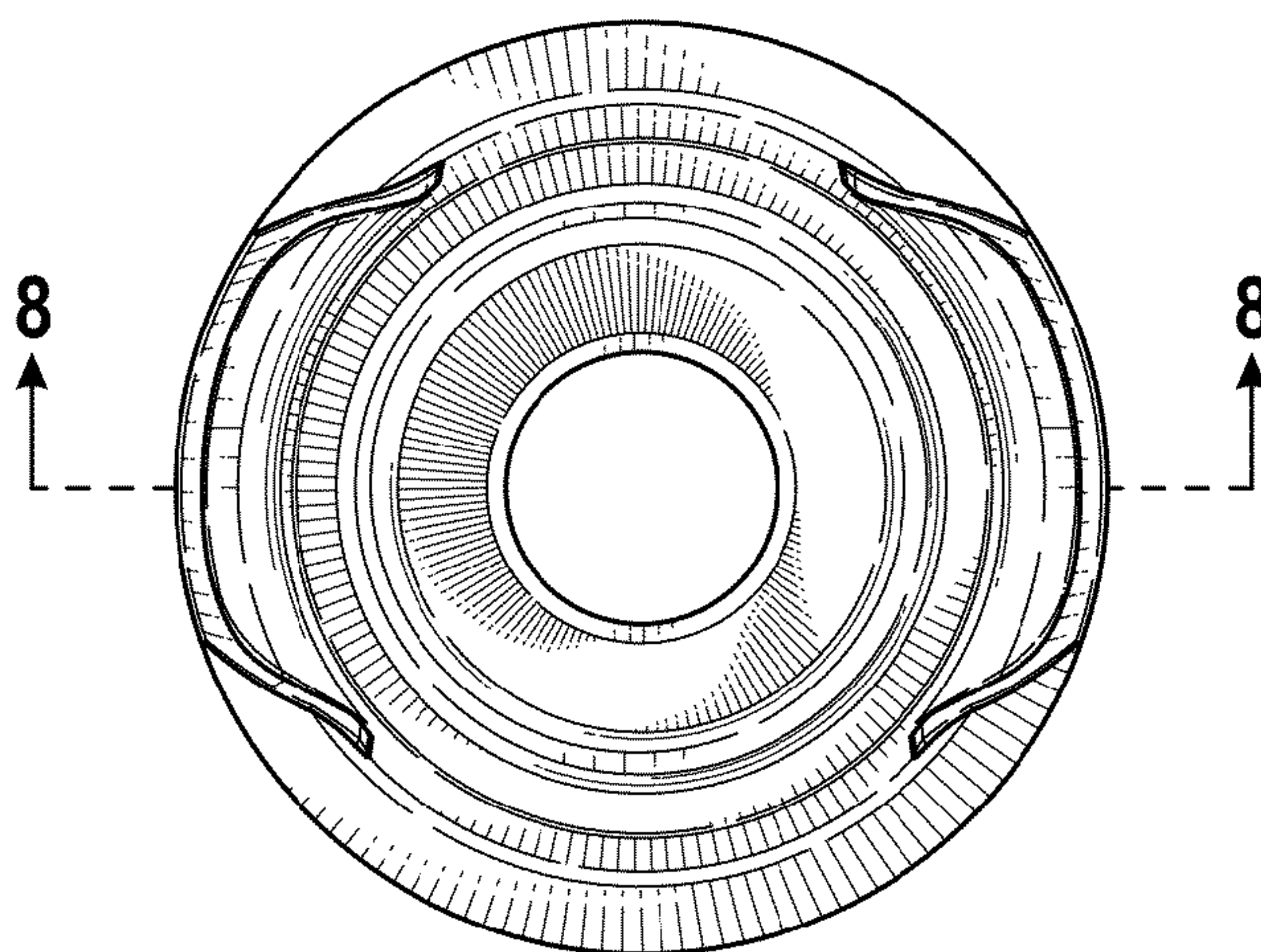


FIG. 3

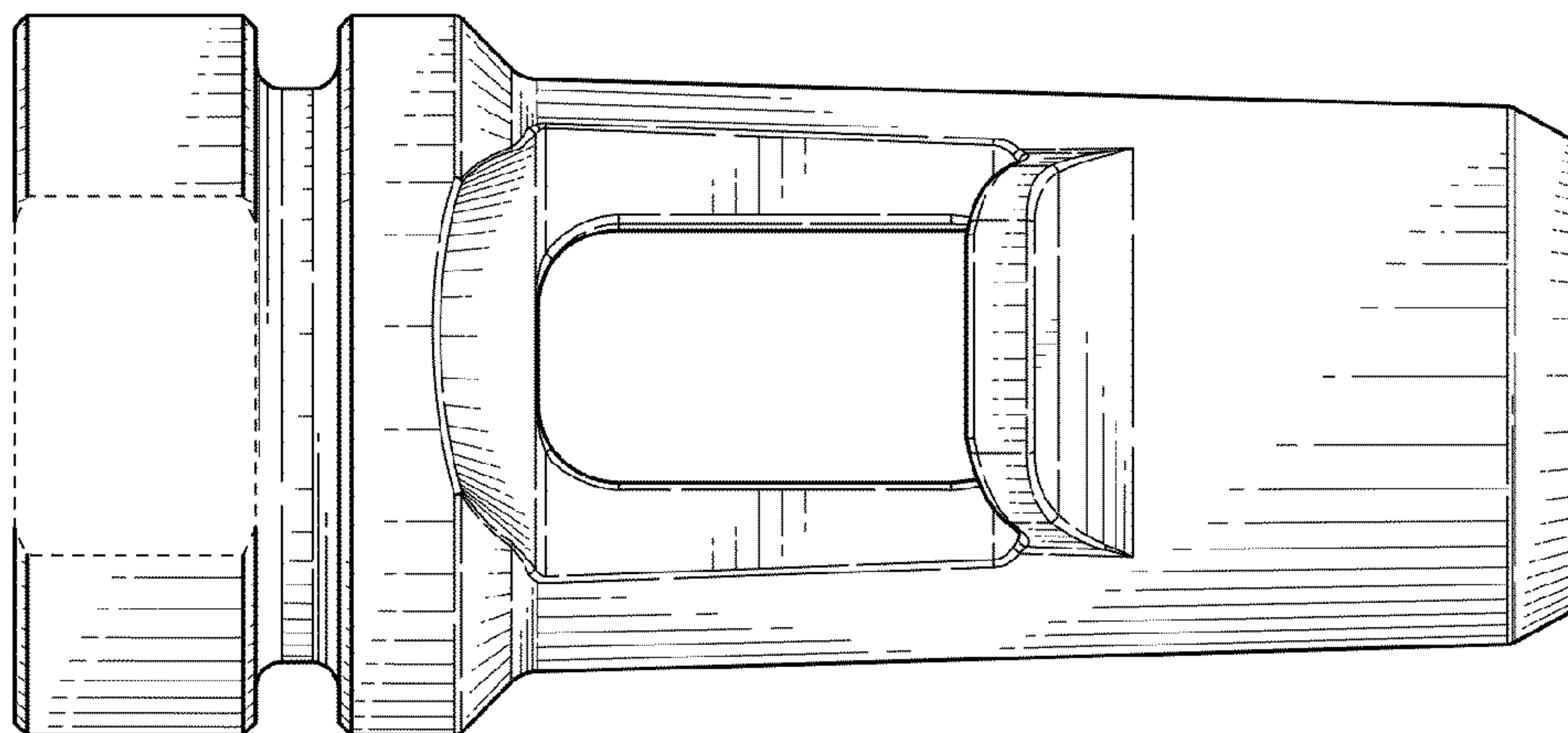


FIG. 4

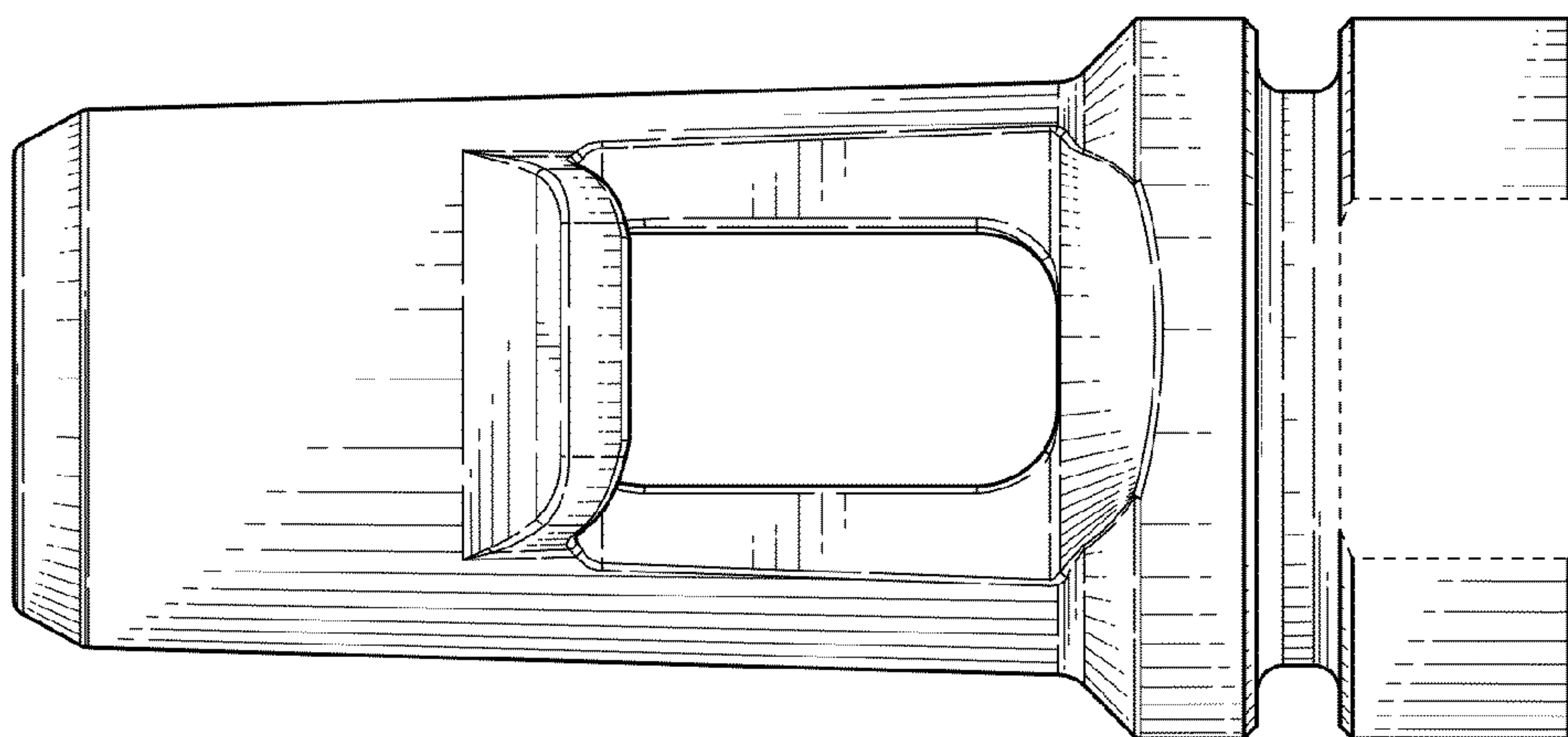


FIG. 5

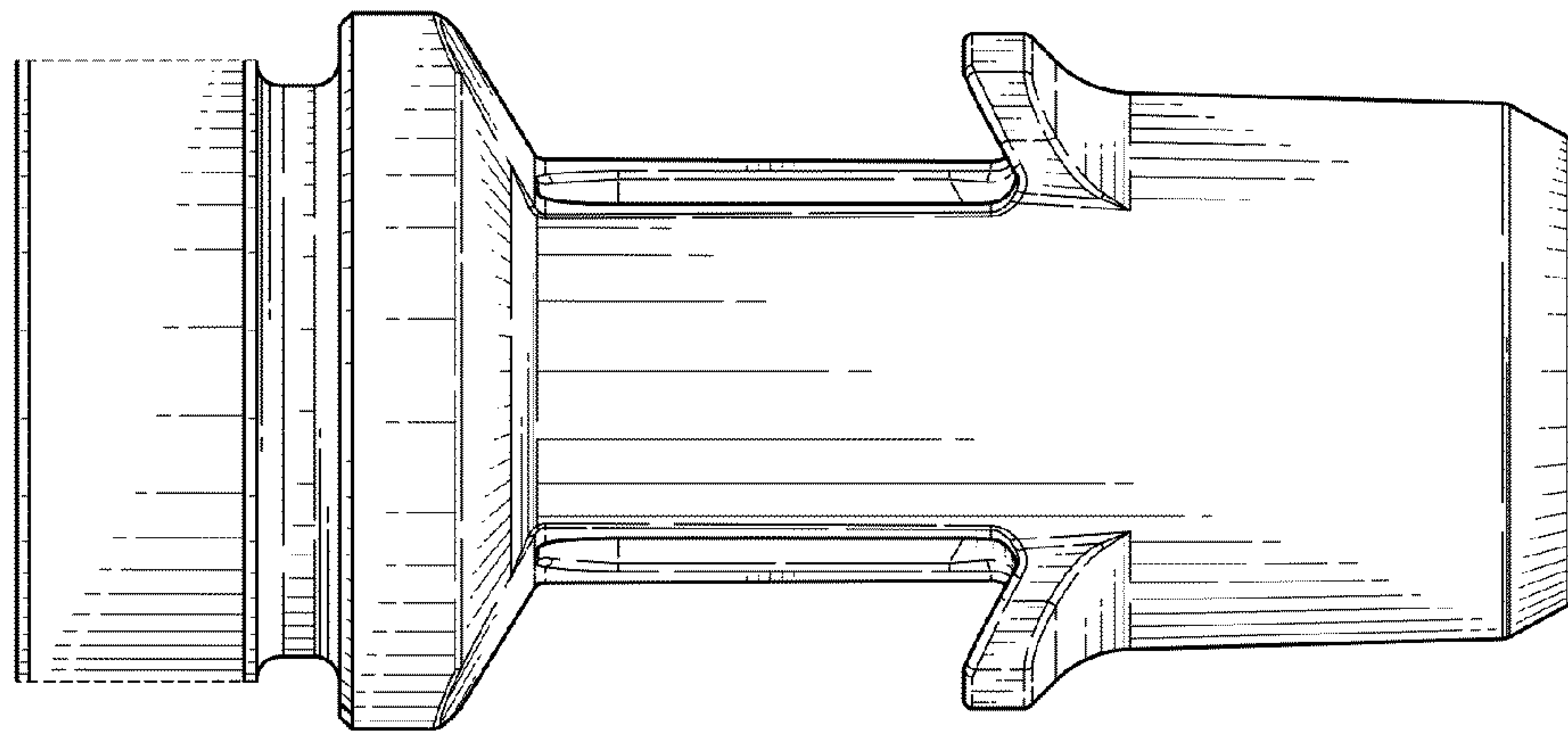


FIG. 6

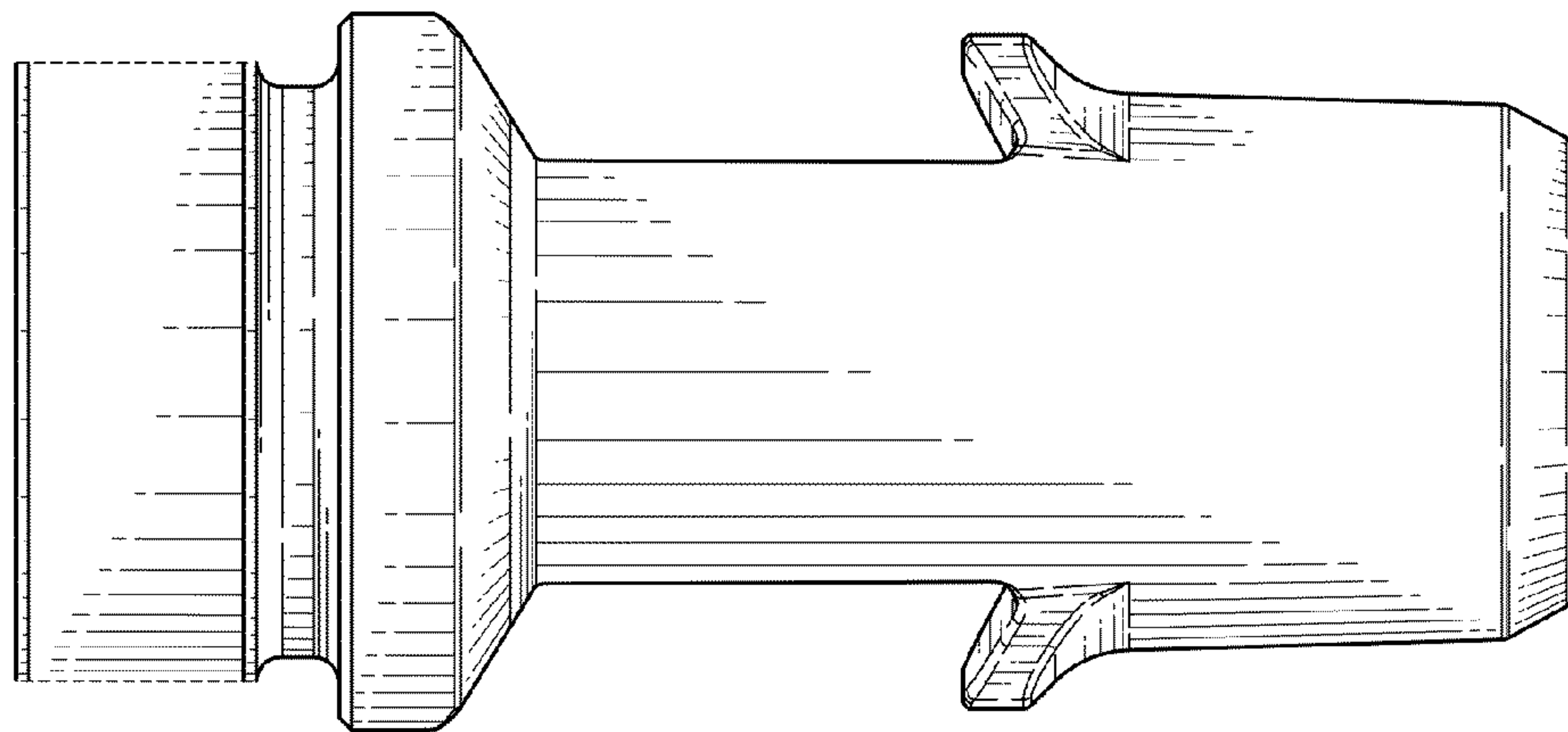


FIG. 7

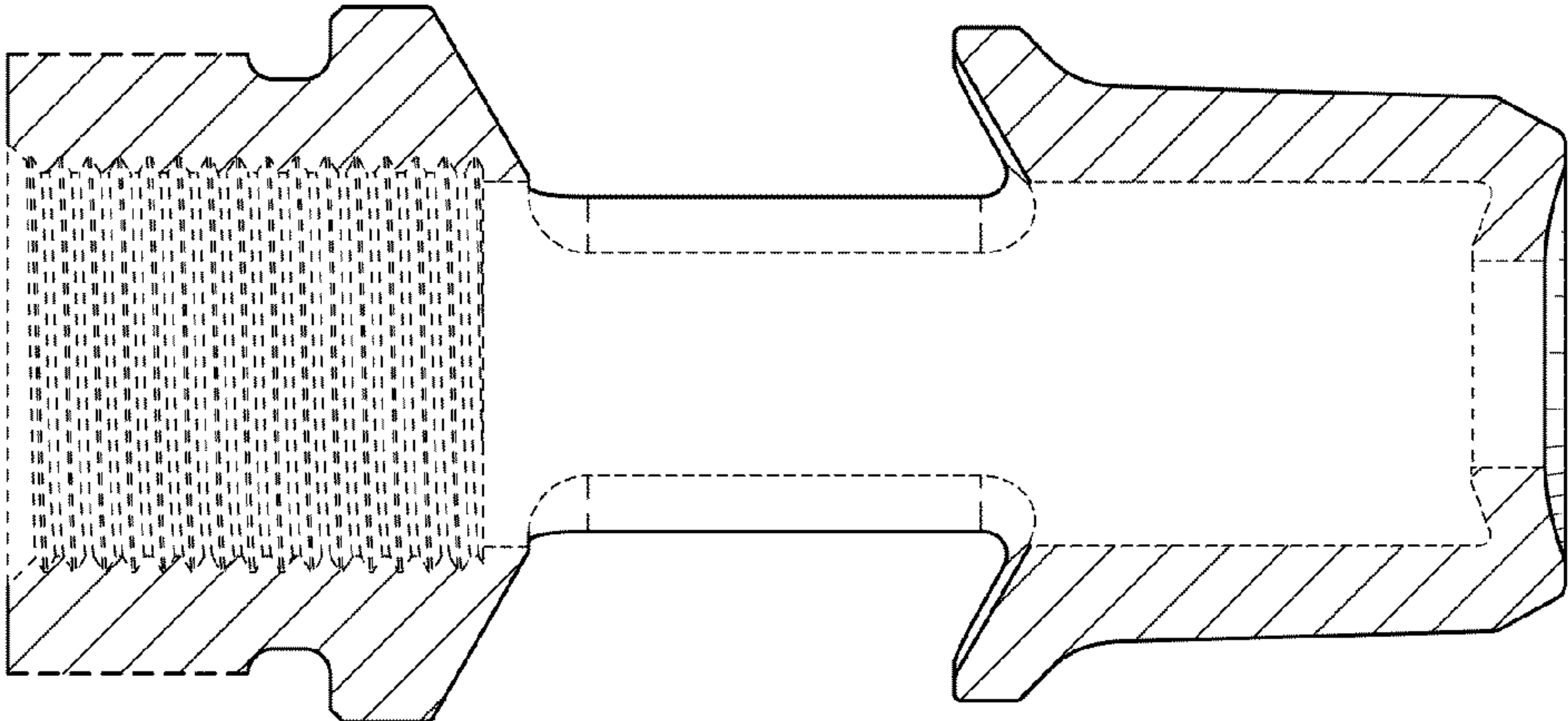


FIG. 8

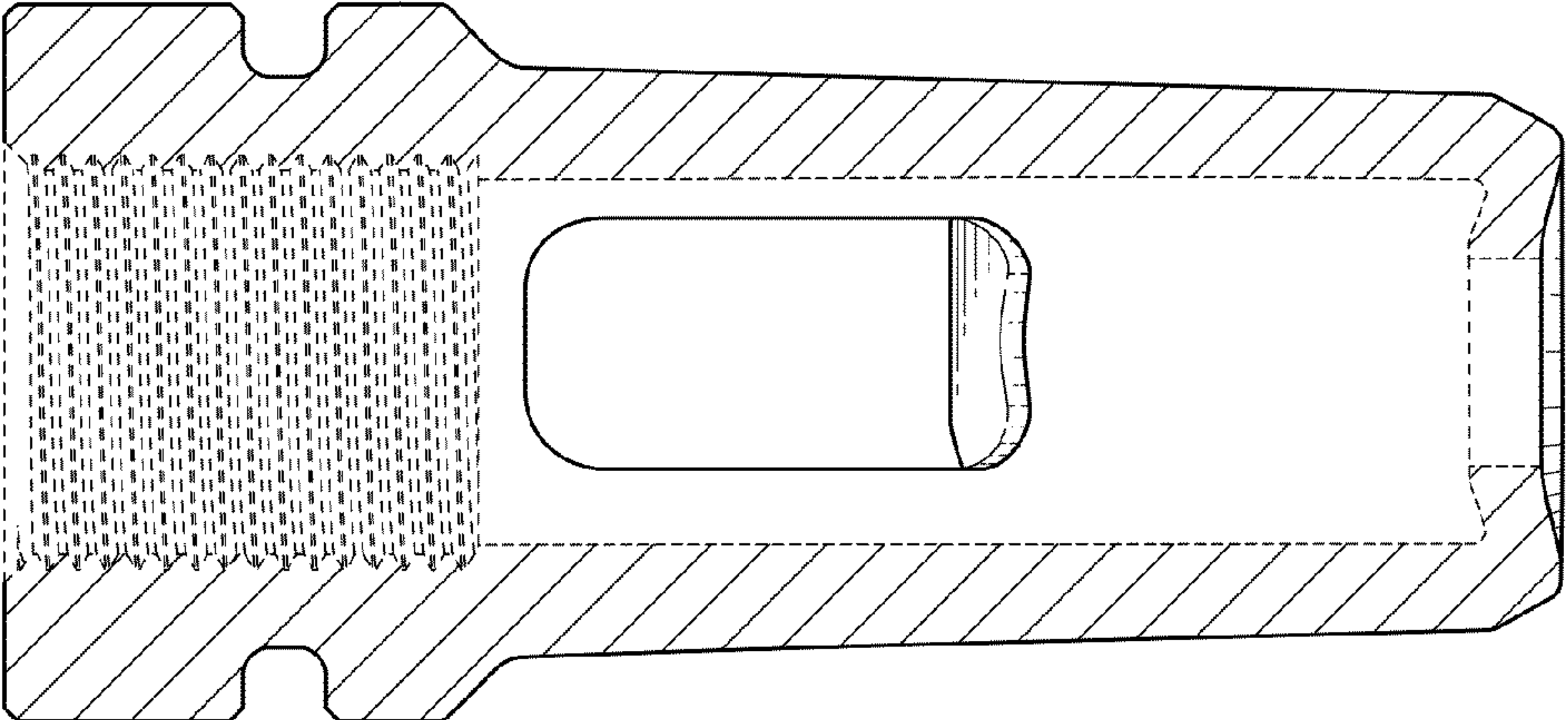


FIG. 9