



US00D754273S

(12) **United States Design Patent**  
**Oglesby**

(10) **Patent No.:** **US D754,273 S**  
(45) **Date of Patent:** **\*\* Apr. 19, 2016**

(54) **BOLT CARRIER**  
(71) Applicant: **Paul A. Oglesby**, Darley (GB)  
(72) Inventor: **Paul A. Oglesby**, Darley (GB)  
(\*\*) Term: **14 Years**  
(21) Appl. No.: **29/508,296**  
(22) Filed: **Nov. 5, 2014**  
(51) **LOC (10) Cl.** ..... **22-01**  
(52) **U.S. Cl.**  
USPC ..... **D22/108**  
(58) **Field of Classification Search**  
USPC ..... D22/108  
CPC ..... F41C 23/00; F41C 27/00; F41C 27/06;  
F41C 23/10; F41C 23/14; F41C 23/16;  
F41C 23/18; F41A 5/18; F41A 5/24; F41A  
21/28  
See application file for complete search history.

89/191.01  
8,844,424 B2 \* 9/2014 Gomez ..... F41A 3/26  
42/16  
8,950,312 B2 \* 2/2015 Gomez ..... F41A 3/38  
42/25  
D746,398 S \* 12/2015 DeLuca ..... D22/108  
9,217,615 B2 \* 12/2015 Lewis ..... F41A 11/00

\* cited by examiner

*Primary Examiner* — Michael A Pratt  
(74) *Attorney, Agent, or Firm* — Shaddock Law Group, PC

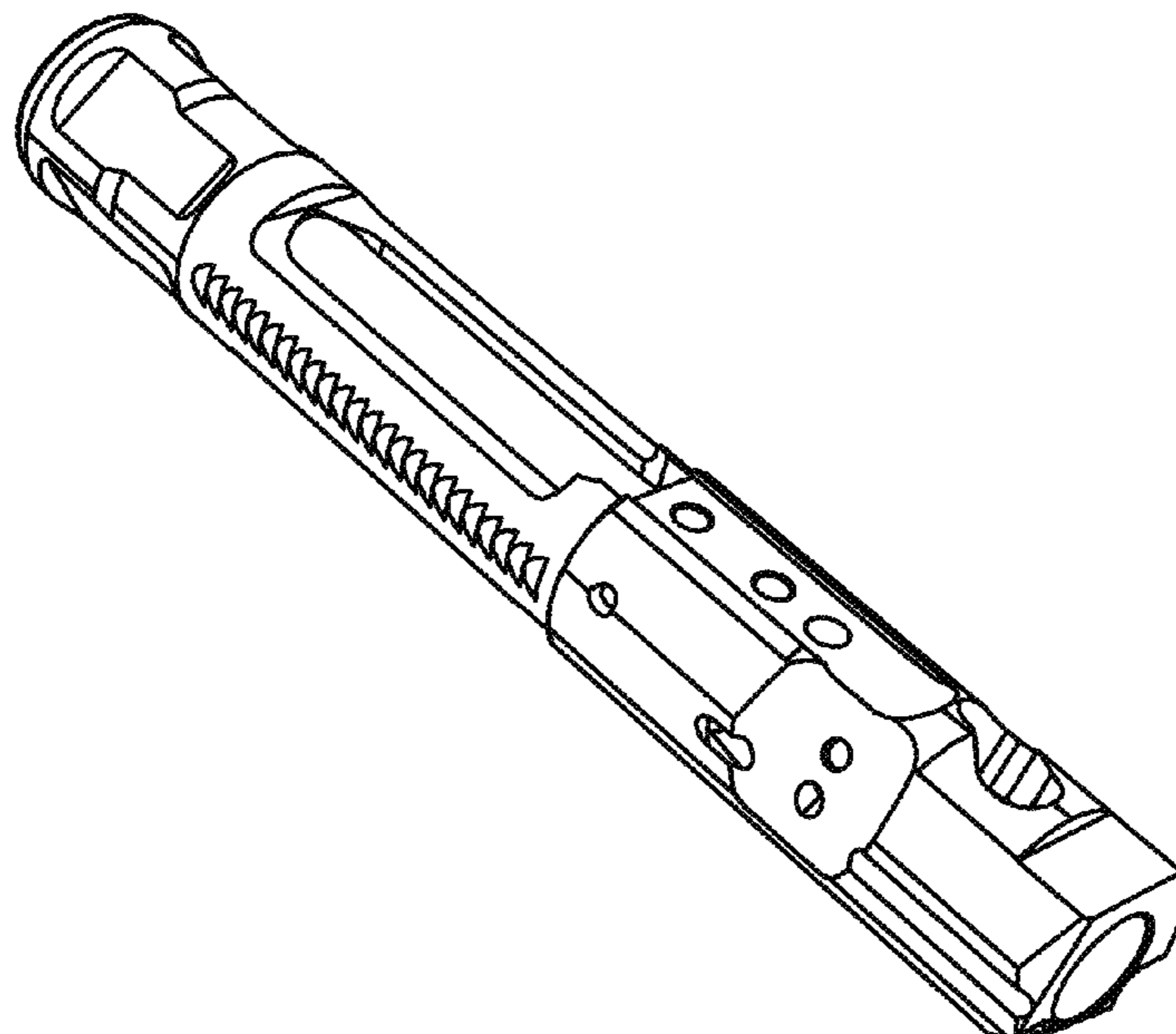
(57) **CLAIM**  
The ornamental design for a bolt carrier, as shown and described.

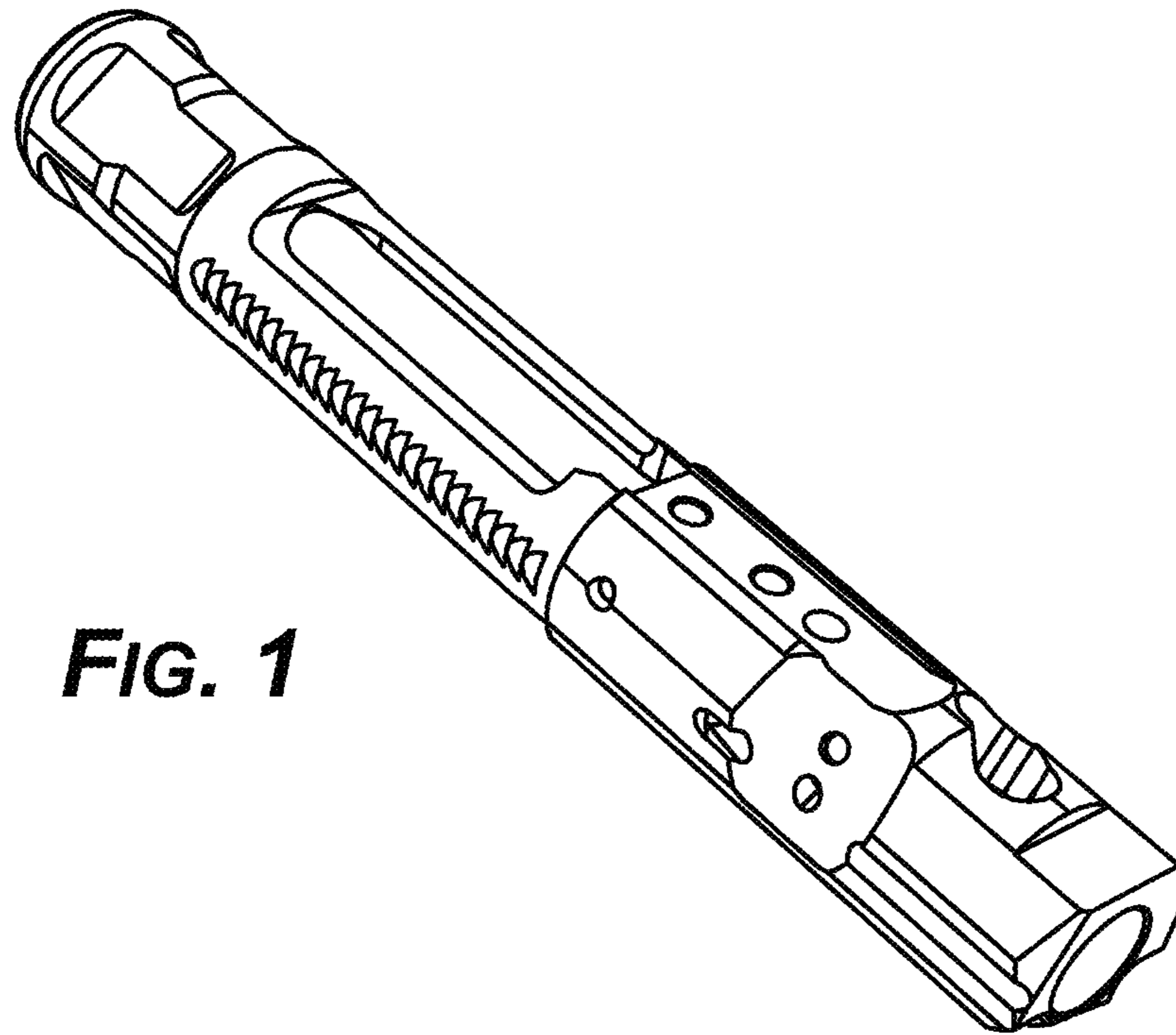
**DESCRIPTION**

FIG. 1 is an upper, right, front perspective view of an exemplary embodiment of the bolt carrier, showing my new design;  
FIG. 2 is an upper, right, rear perspective view thereof;  
FIG. 3 is an upper, left, rear perspective view thereof;  
FIG. 4 is an upper, left, front perspective view thereof;  
FIG. 5 is a lower, right, rear perspective view thereof;  
FIG. 6 is a lower, left, front perspective view thereof;  
FIG. 7 is a top plan view thereof;  
FIG. 8 is a bottom plan view thereof;  
FIG. 9 is a right side view thereof;  
FIG. 10 is a left side view thereof;  
FIG. 11 is a front view thereof; and,  
FIG. 12 is a rear view thereof.

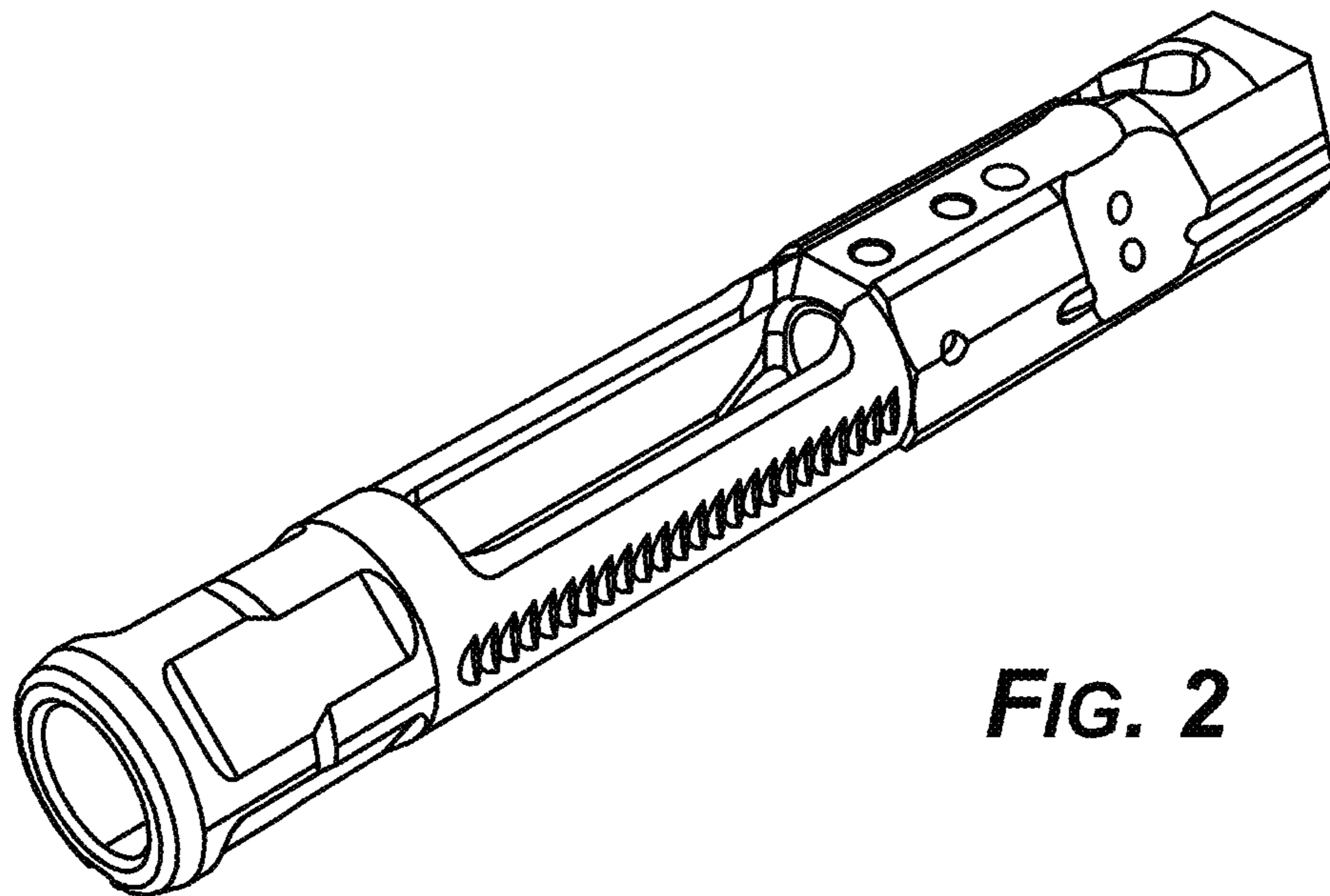
**1 Claim, 6 Drawing Sheets**

(56) **References Cited**  
U.S. PATENT DOCUMENTS  
5,551,179 A \* 9/1996 Young ..... F41A 3/12  
42/16  
6,848,351 B1 \* 2/2005 Davies ..... F41A 3/94  
89/191.01  
6,971,202 B2 \* 12/2005 Bender ..... F41A 5/24  
42/16  
7,316,091 B1 \* 1/2008 Desomma ..... F41A 3/26  
42/16  
7,784,211 B1 \* 8/2010 Desomma ..... F41A 3/26  
42/16  
D641,451 S \* 7/2011 Gomez ..... D22/108  
8,387,513 B2 \* 3/2013 Gomez ..... F41A 5/20

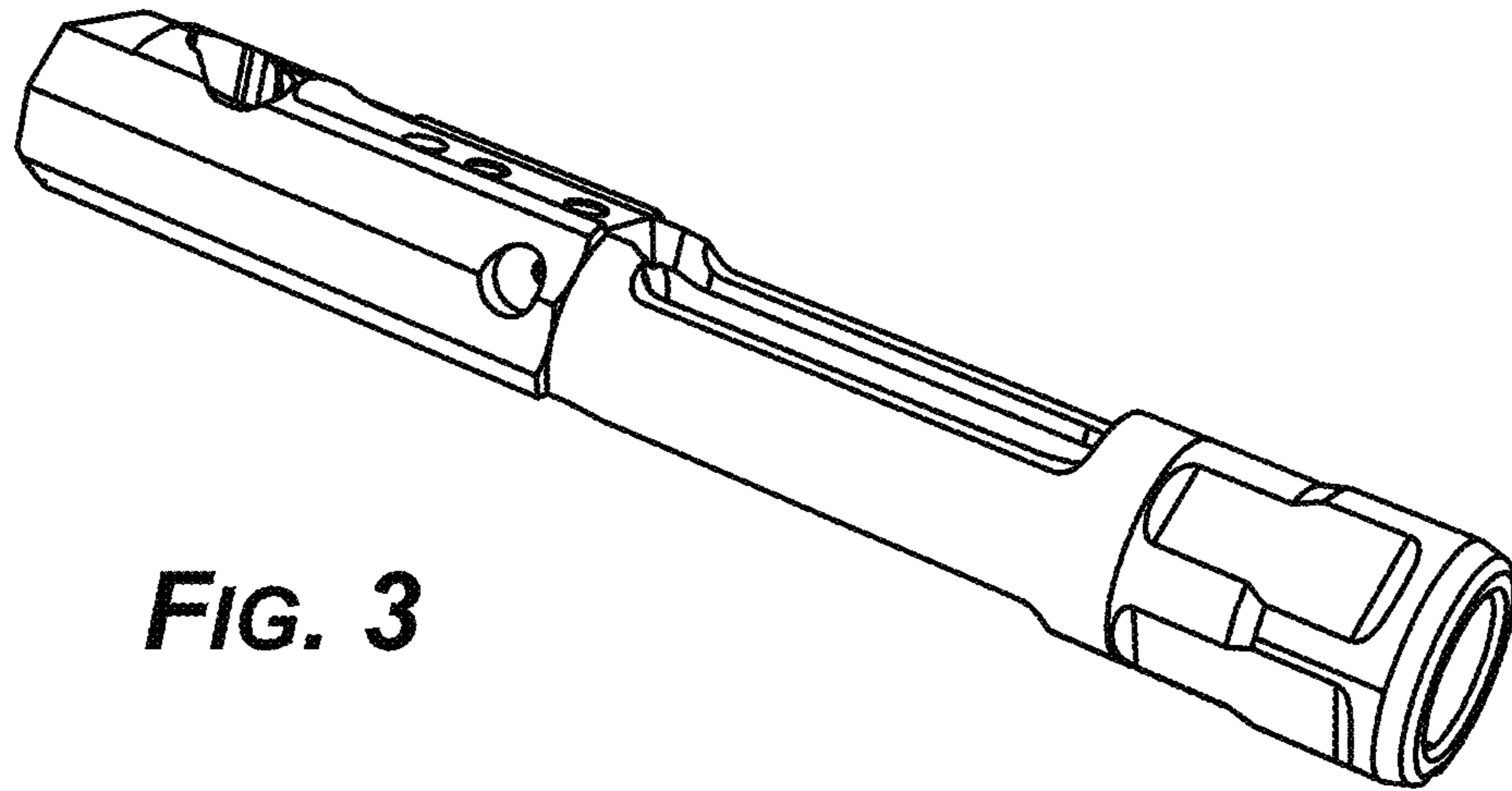




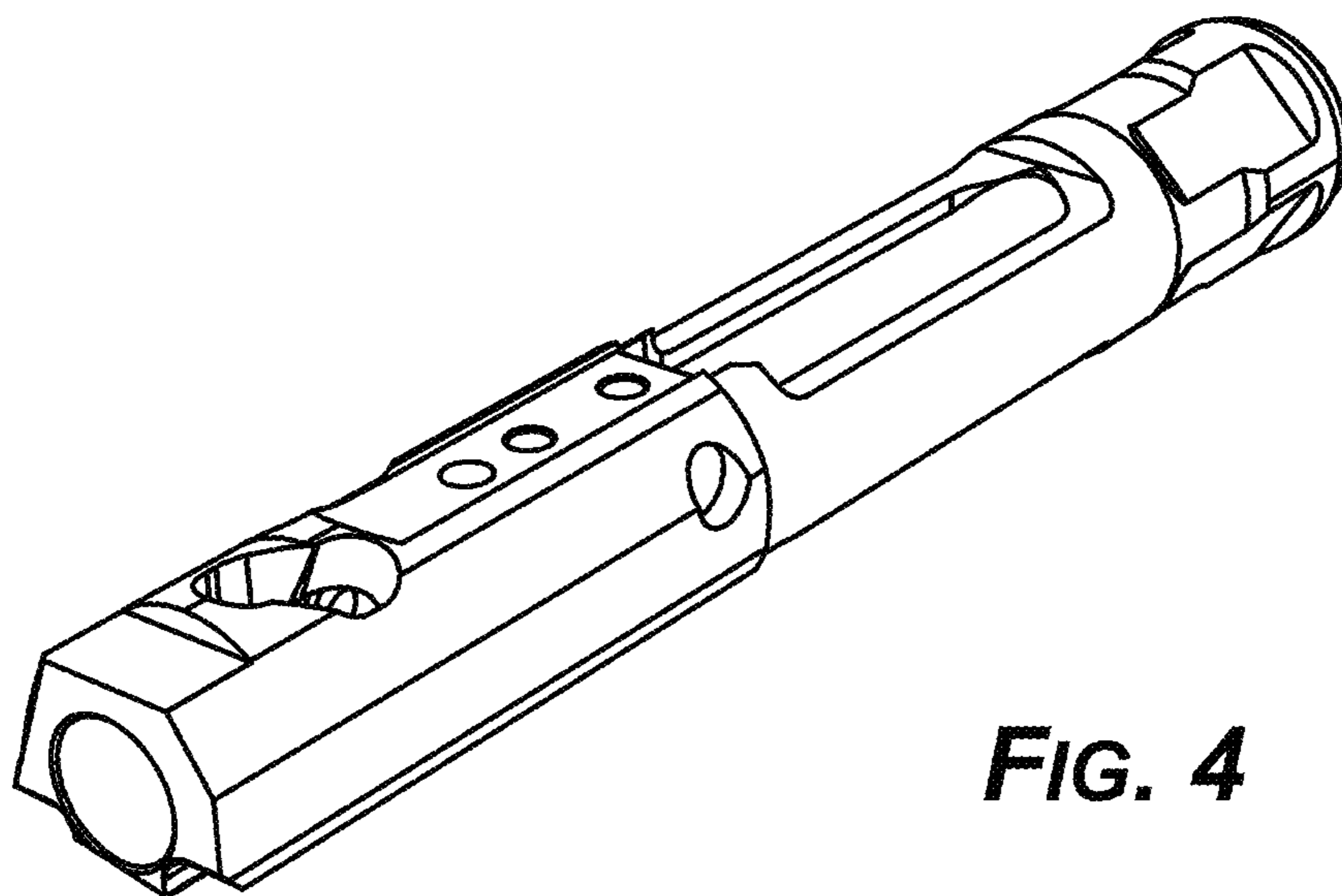
**FIG. 1**



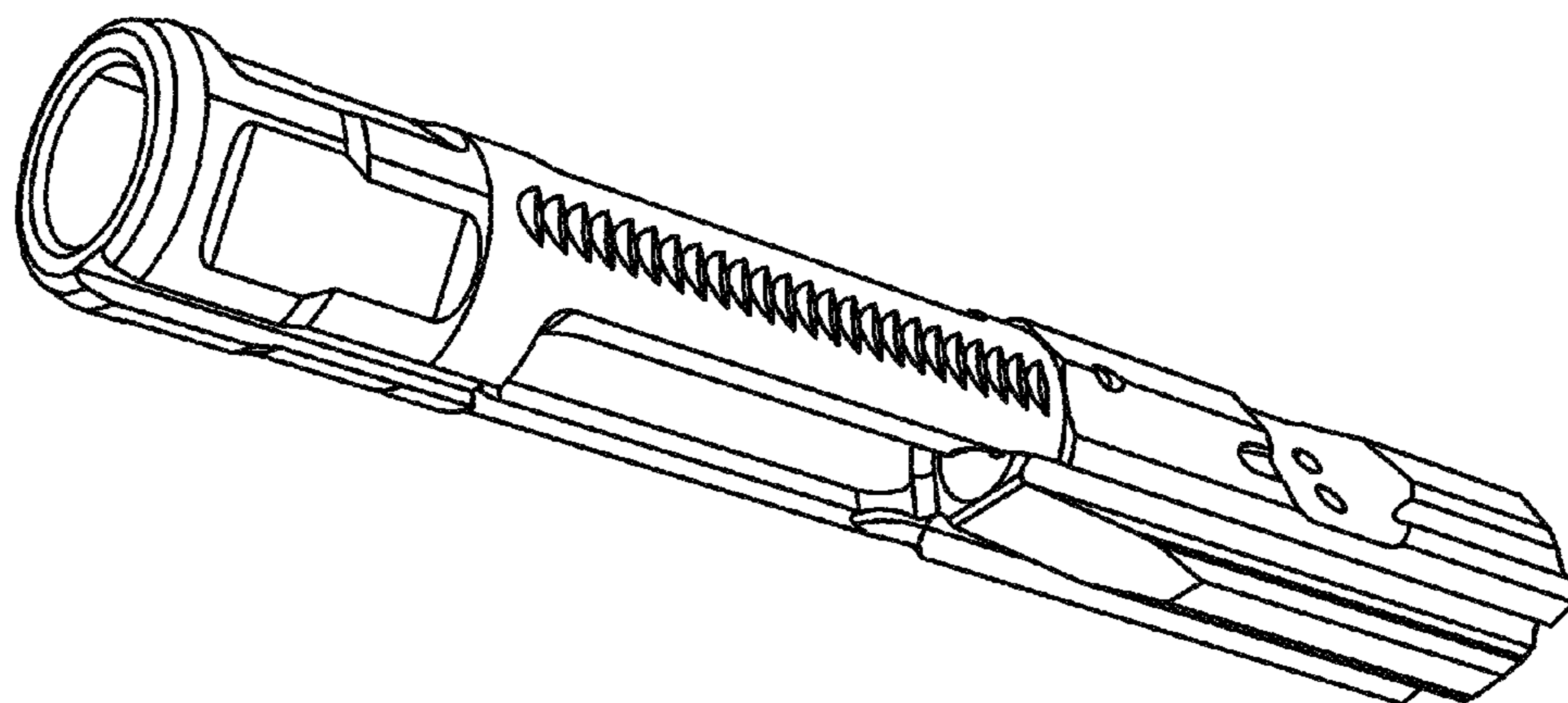
**FIG. 2**



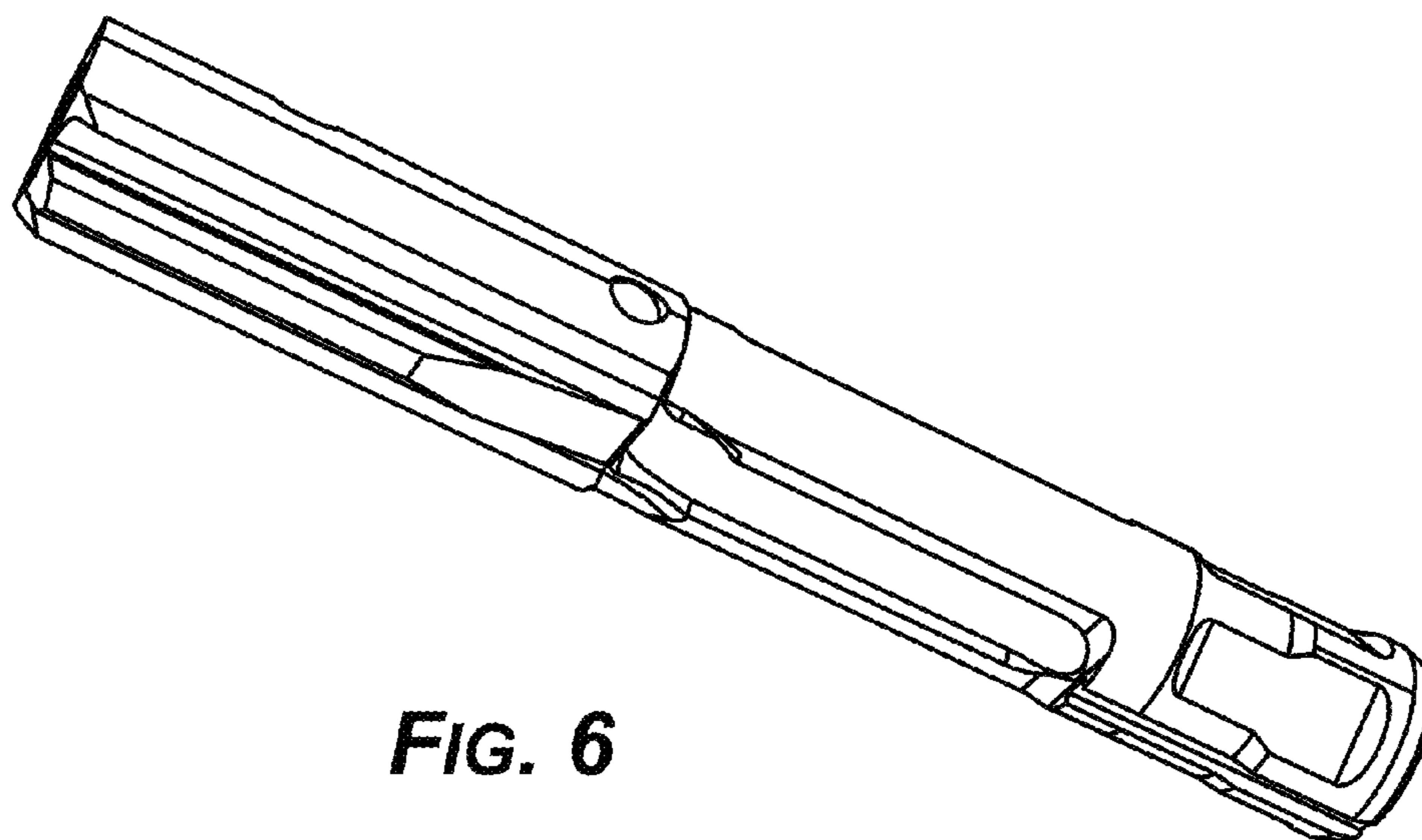
**FIG. 3**



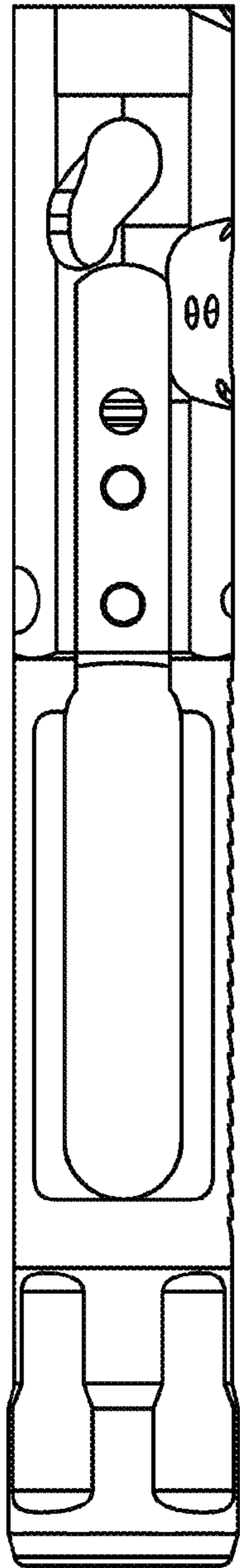
**FIG. 4**



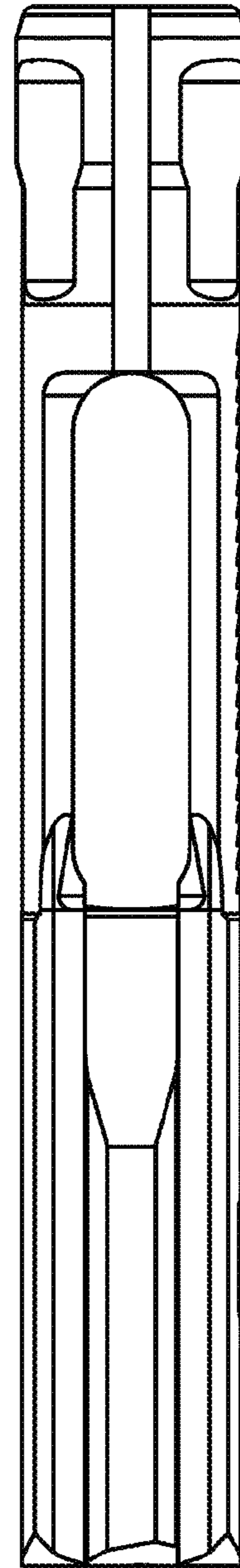
**FIG. 5**



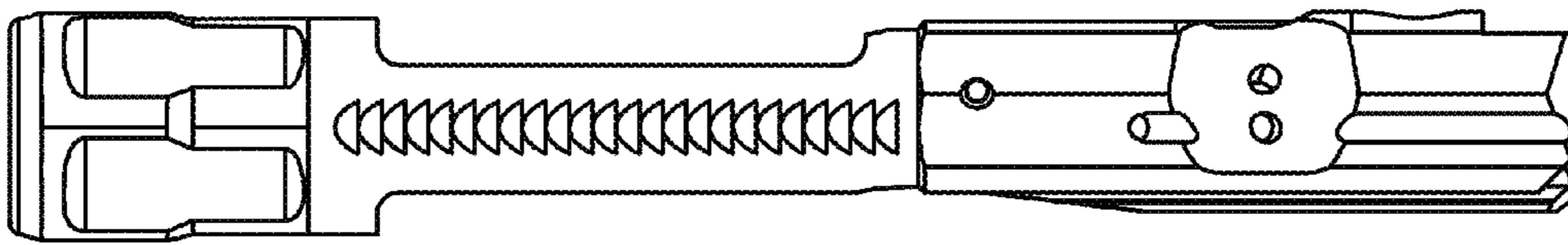
**FIG. 6**



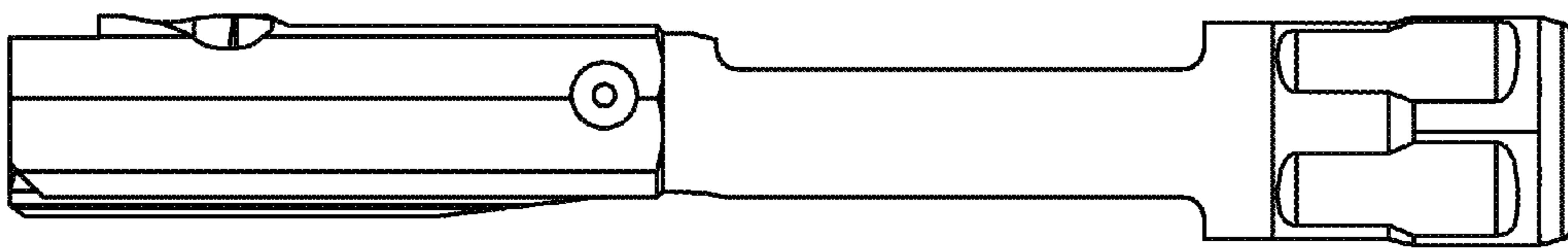
**FIG. 7**



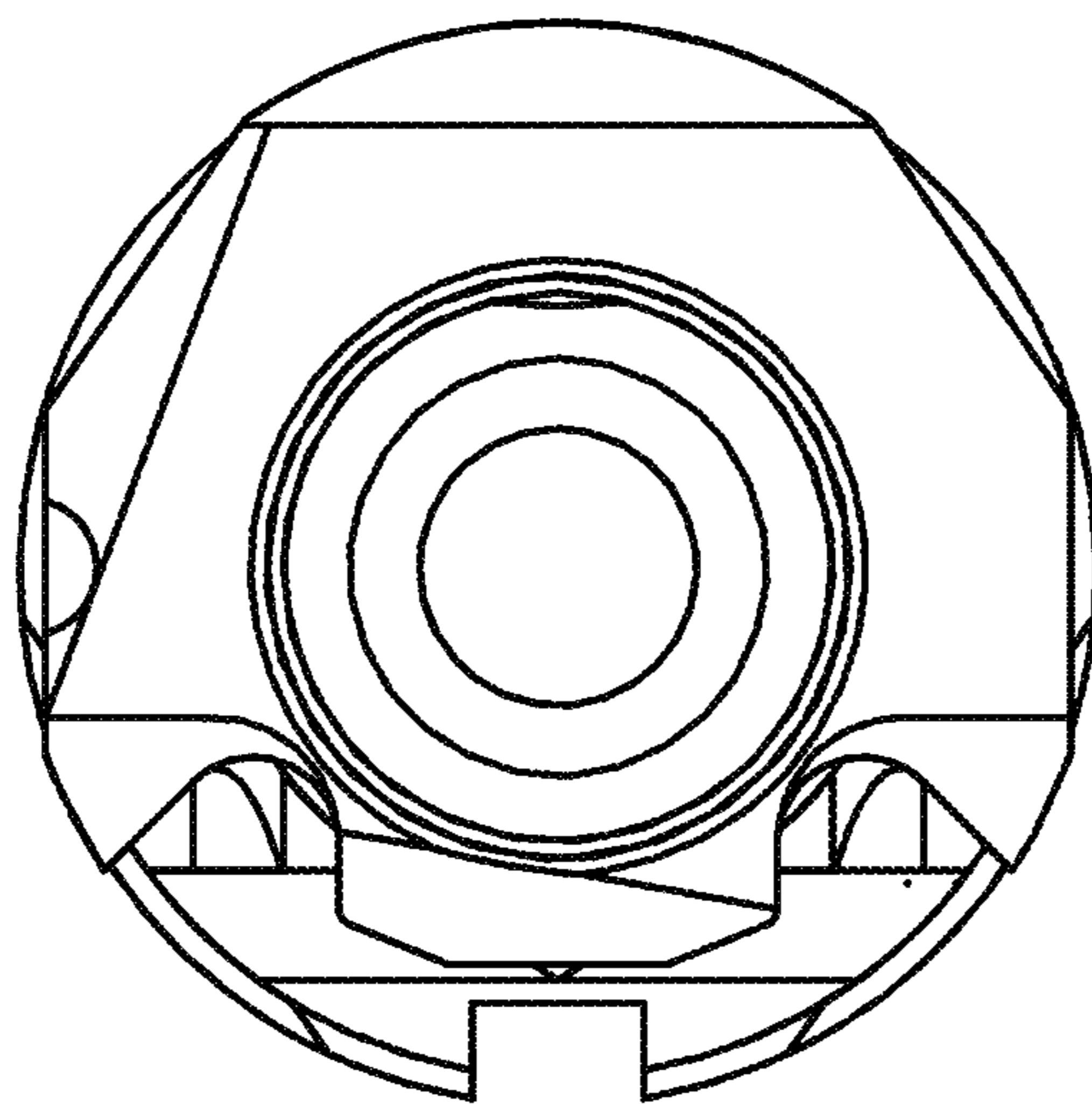
**FIG. 8**



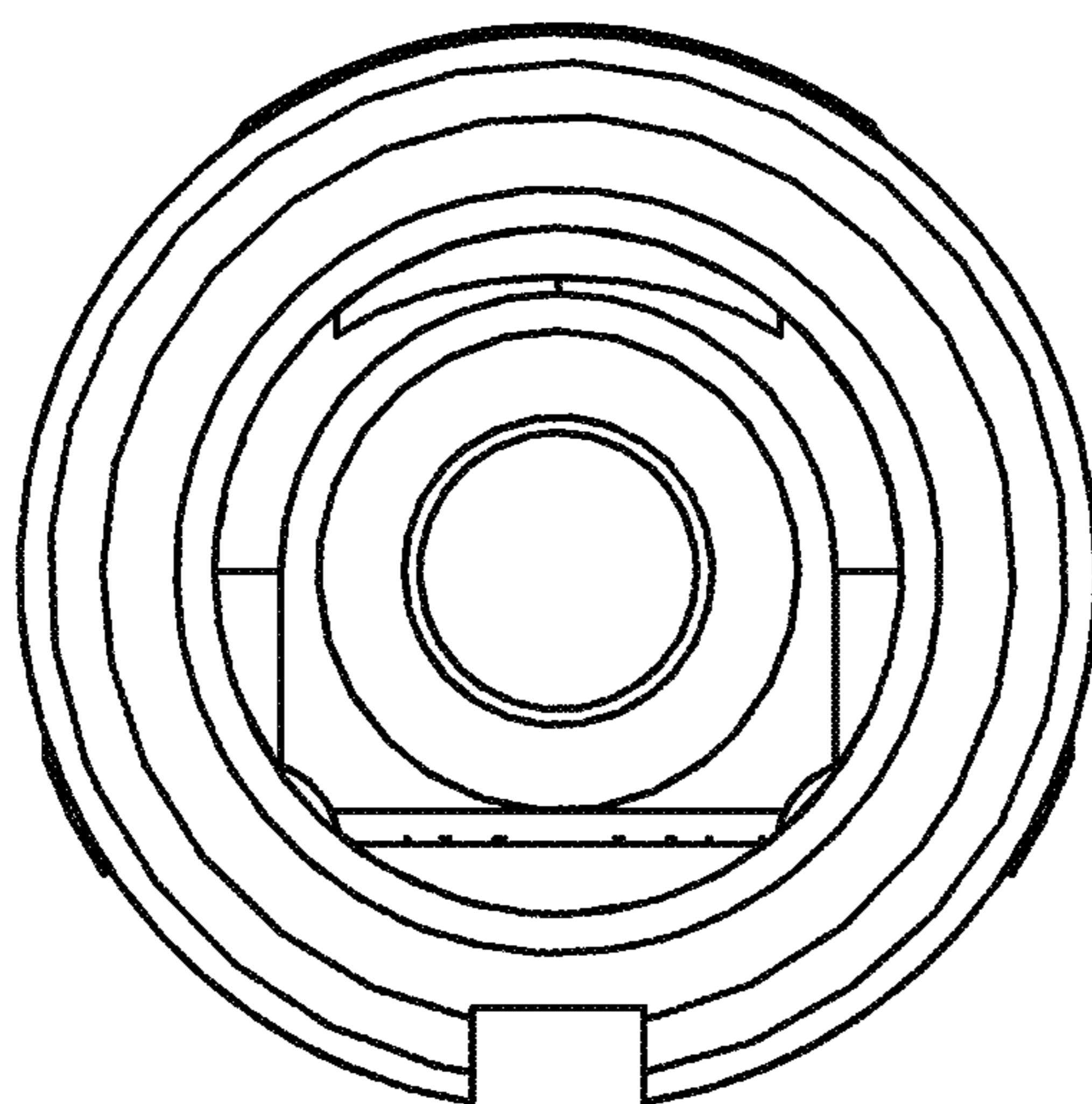
**FIG. 9**



**FIG. 10**



**FIG. 11**



**FIG. 12**