

US00D754272S

(12) **United States Design Patent**
Samuels

(10) **Patent No.:** **US D754,272 S**
(45) **Date of Patent:** **** Apr. 19, 2016**

(54) **SPORTS BOARD MOUNTING SYSTEM**

(71) Applicant: **GoPro, Inc.**, San Mateo, CA (US)

(72) Inventor: **Rudy Lucas Samuels**, Mill Valley, CA (US)

(73) Assignee: **GoPro, Inc.**, San Mateo, CA (US)

(**) Term: **14 Years**

(21) Appl. No.: **29/508,714**

(22) Filed: **Nov. 10, 2014**

D557,320 S	12/2007	Fisher et al.	
D557,321 S	12/2007	Fisher et al.	
7,661,891 B2 *	2/2010	Heibel	F16M 11/02 248/187.1
D630,238 S *	1/2011	Fukuma	D16/242
D643,057 S *	8/2011	Mendoza	D16/242
D643,868 S	8/2011	Van Herpen	
8,014,656 B2	9/2011	Woodman	
8,150,248 B1	4/2012	Woodman	
D660,393 S	5/2012	Bradley et al.	
D661,718 S	6/2012	Tang	
D663,000 S	7/2012	Trotter	
D675,242 S	1/2013	O'Donnell et al.	
D677,748 S	3/2013	Samuels	
D697,127 S	1/2014	O'Donnell et al.	
8,675,072 B2	3/2014	Menshikov	
2003/0128975 A1 *	7/2003	Shevick	G03B 37/00 396/428

Related U.S. Application Data

(63) Continuation of application No. 29/475,324, filed on Dec. 2, 2013, now Pat. No. Des. 719,628, which is a continuation of application No. 29/458,355, filed on Jun. 18, 2013, now Pat. No. Des. 697,570, which is a continuation of application No. 29/443,383, filed on Jan. 16, 2013, now Pat. No. Des. 687,112, which is a continuation of application No. 29/405,620, filed on Nov. 3, 2011, now Pat. No. Des. 677,748.

(51) **LOC (10) Cl.** **21-02**

(52) **U.S. Cl.**
USPC **D21/771**

(58) **Field of Classification Search**
USPC D21/769-770, 801, 803, 809; 114/253, 114/345-346; 441/35, 66, 74, 40-42, 441/129-132; 472/128-129; D12/5, 6, 316; D16/242
CPC B63B 25/002
See application file for complete search history.

(56) **References Cited**

U.S. PATENT DOCUMENTS

4,763,151 A 8/1988 Klinger
D502,522 S 3/2005 Sperafico
7,117,699 B2 10/2006 Bistline

* cited by examiner

Primary Examiner — Zenia Bennett

(74) *Attorney, Agent, or Firm* — Fenwick & West LLP

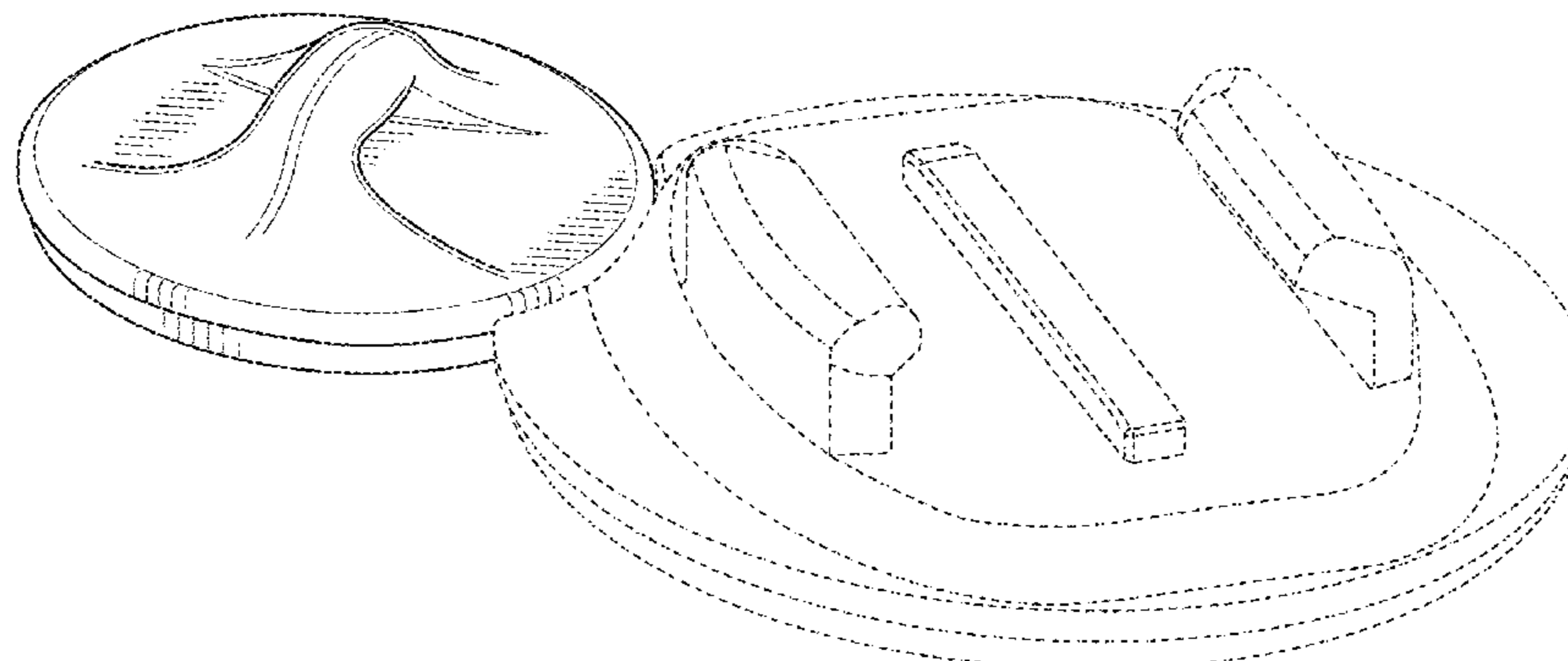
(57) **CLAIM**

The ornamental design for a sports board mounting system, as shown and described.

DESCRIPTION

FIG. 1 is a front top left perspective view of a sports board mounting system;
FIG. 2 is a front top right perspective view thereof;
FIG. 3 is a back top right perspective view thereof;
FIG. 4 is a back top left perspective view thereof;
FIG. 5 is a front view thereof;
FIG. 6 is a back view thereof;
FIG. 7 is a right view thereof;
FIG. 8 is a left view thereof;
FIG. 9 is a top view thereof;
FIG. 10 is a bottom view thereof; and,
FIG. 11 is a front bottom perspective view thereof.
The broken lines in the drawing are for illustrative purposes only and form no part of the claimed design.

1 Claim, 11 Drawing Sheets



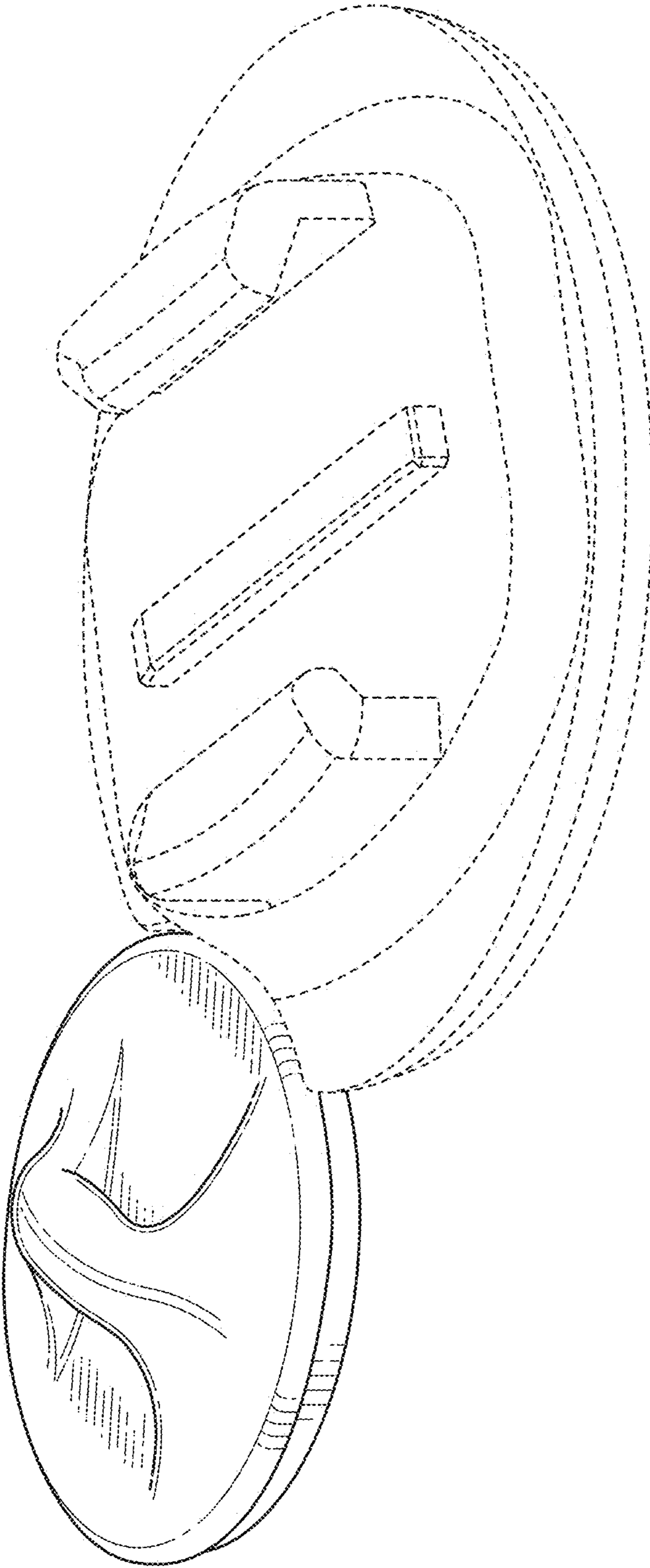


FIG. 1

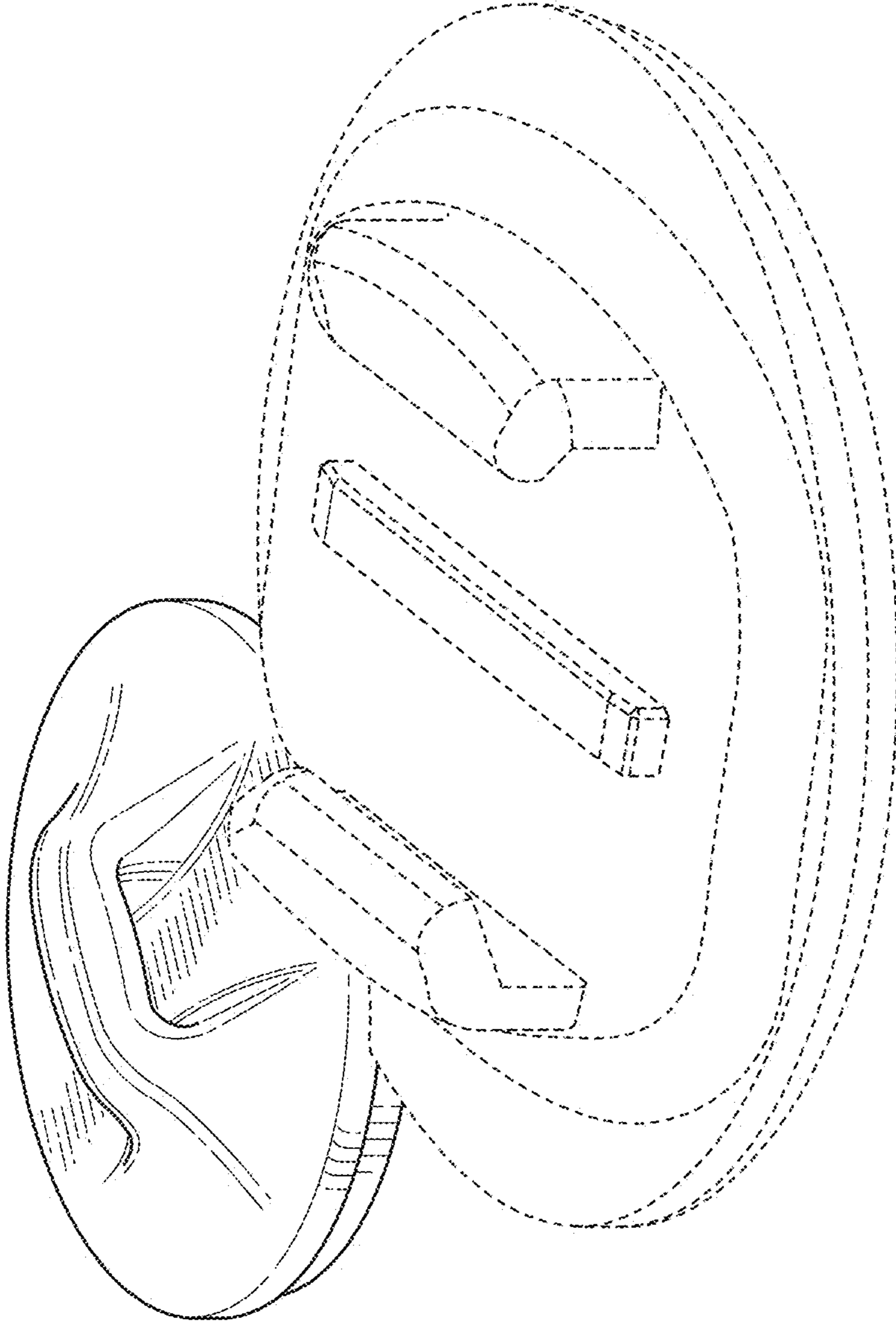


FIG. 2

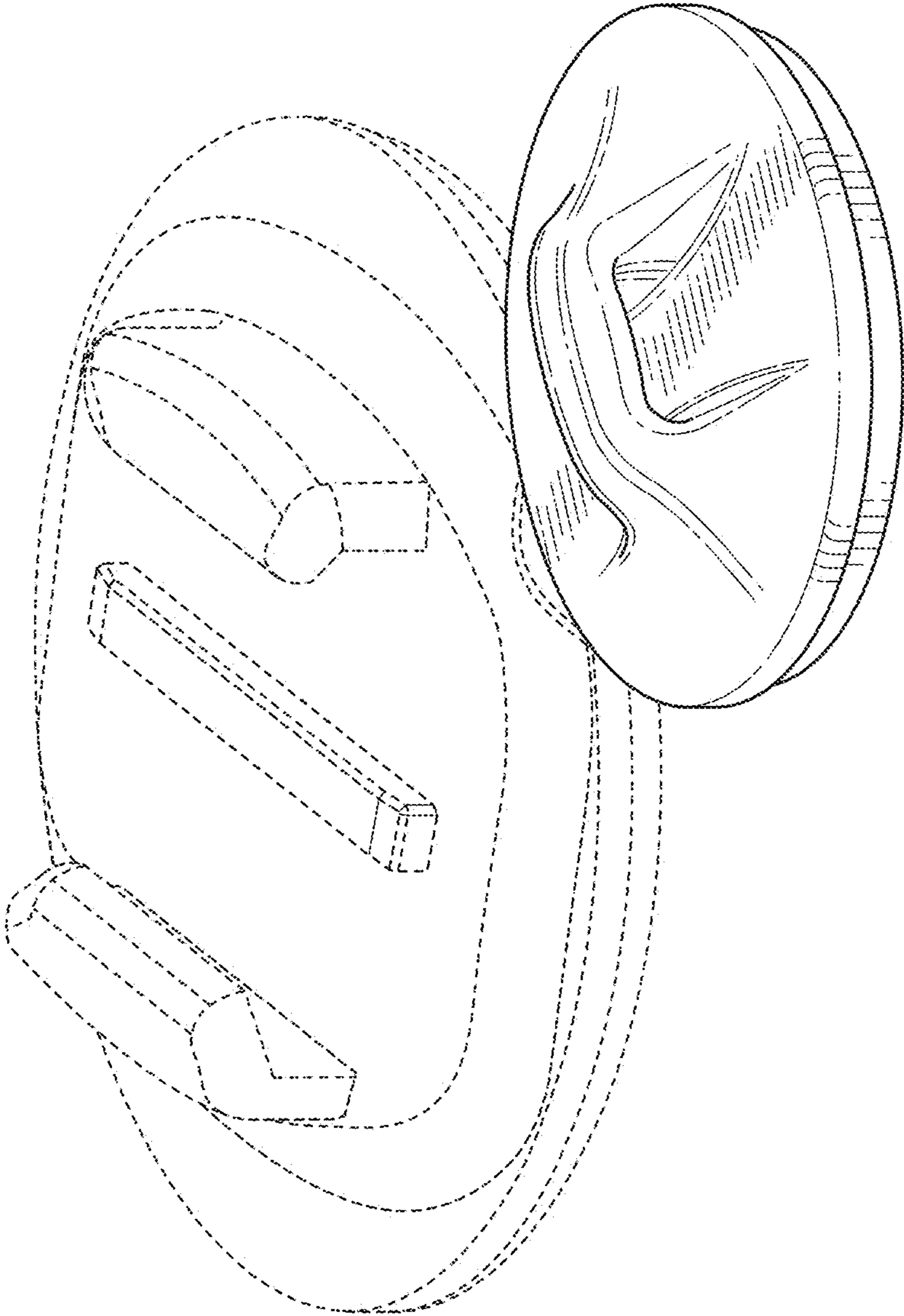


FIG. 3

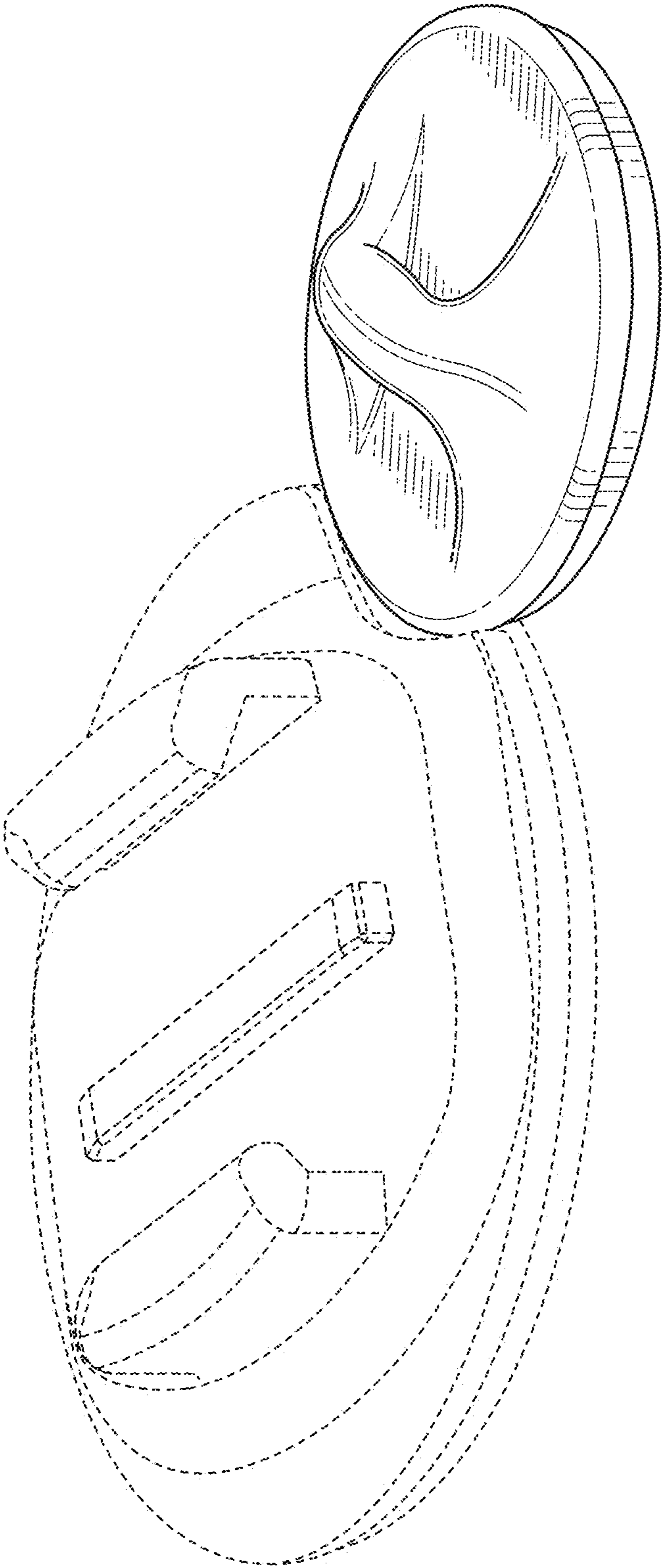


FIG. 4

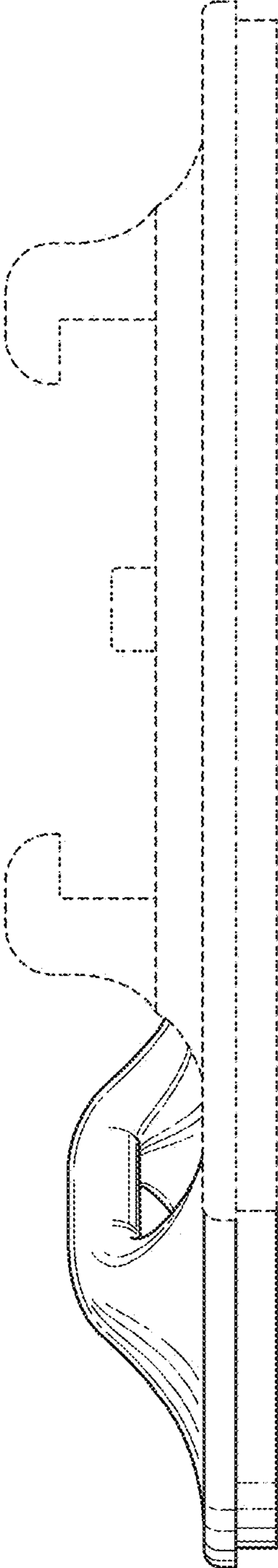


FIG. 5

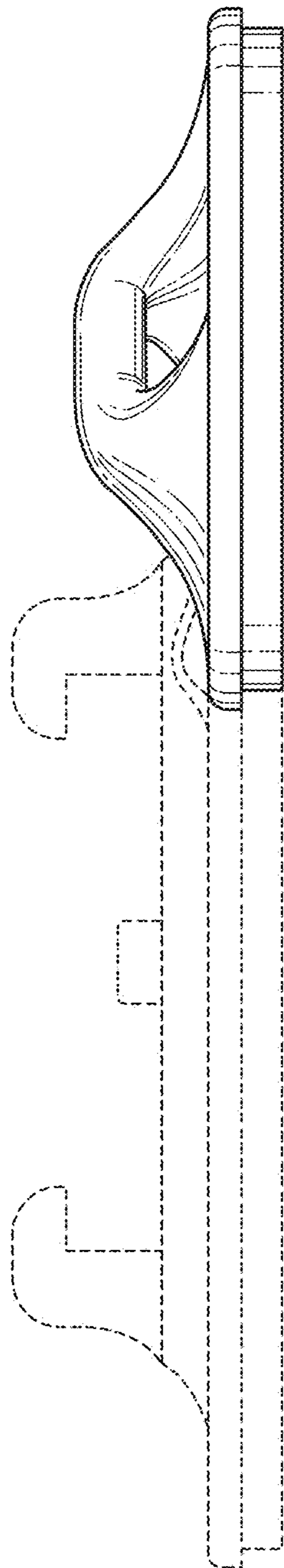


FIG. 6

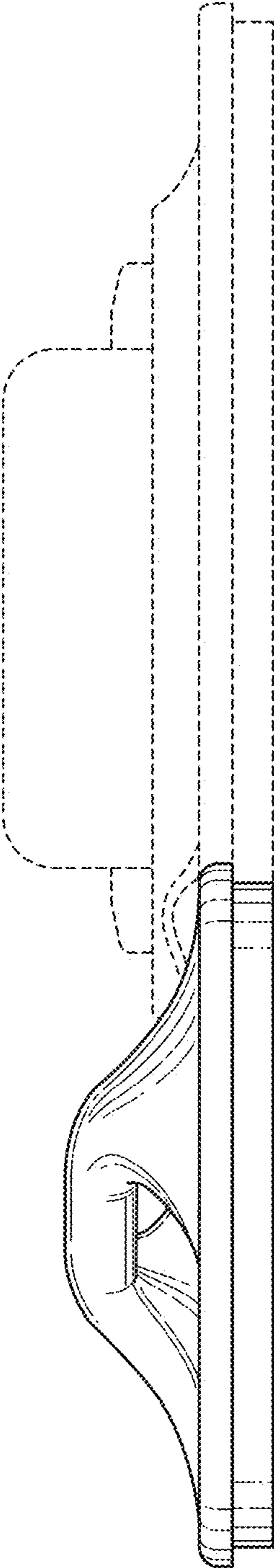


FIG. 7

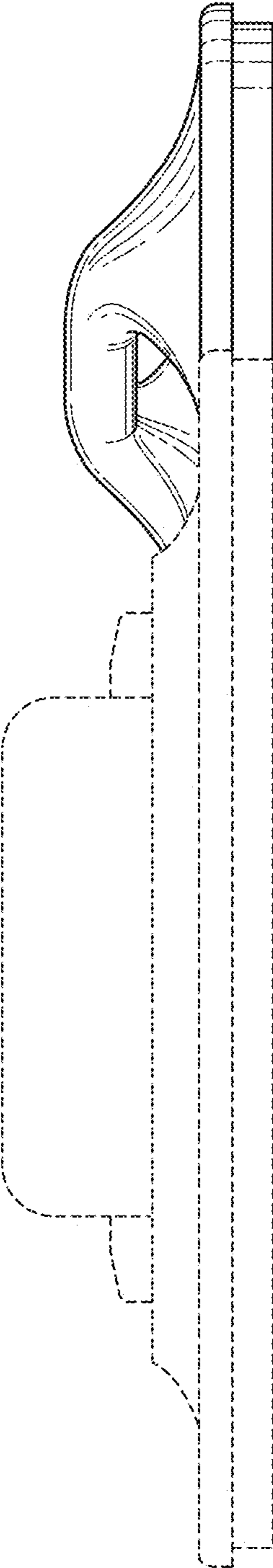


FIG. 8

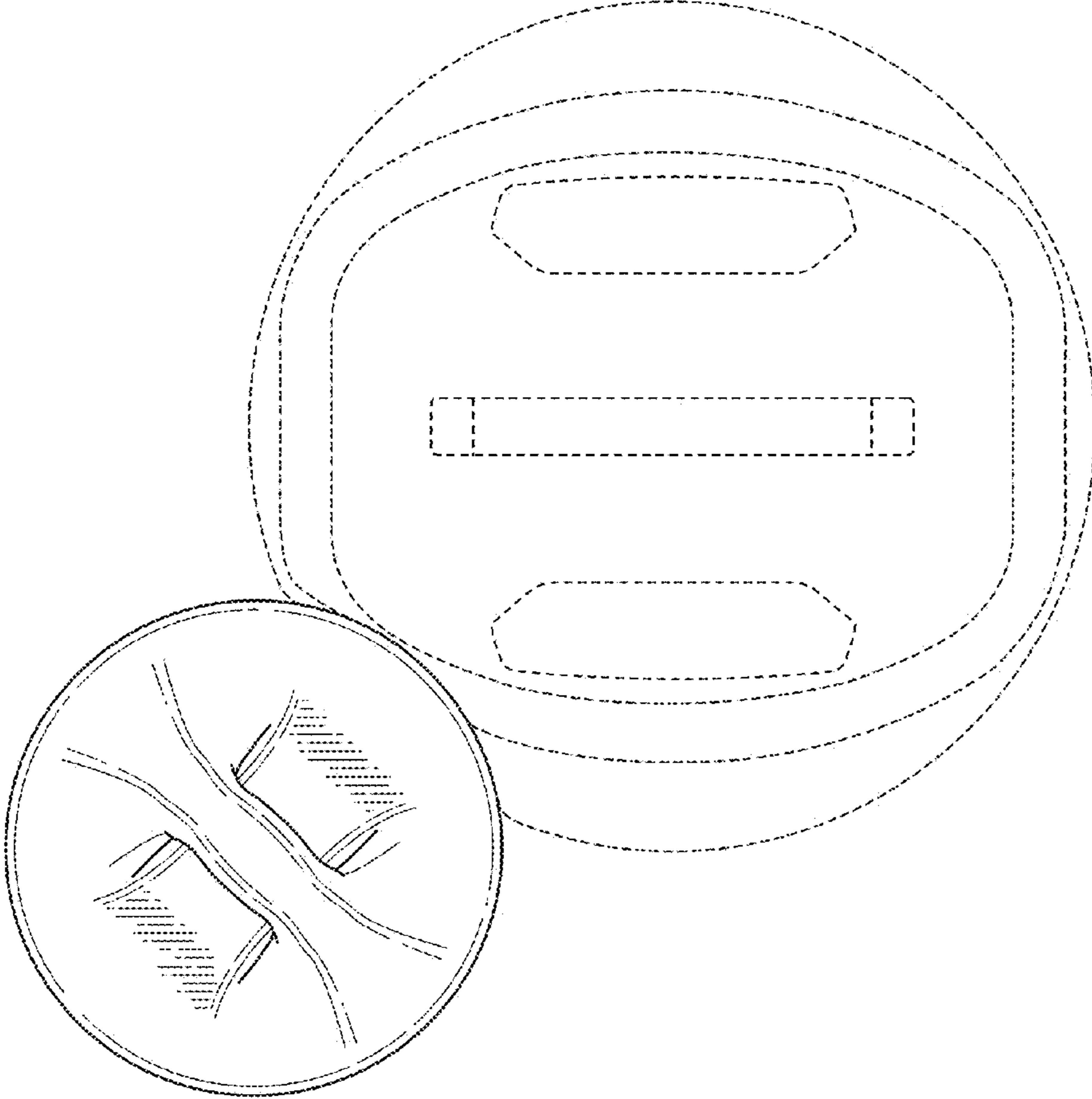


FIG. 9

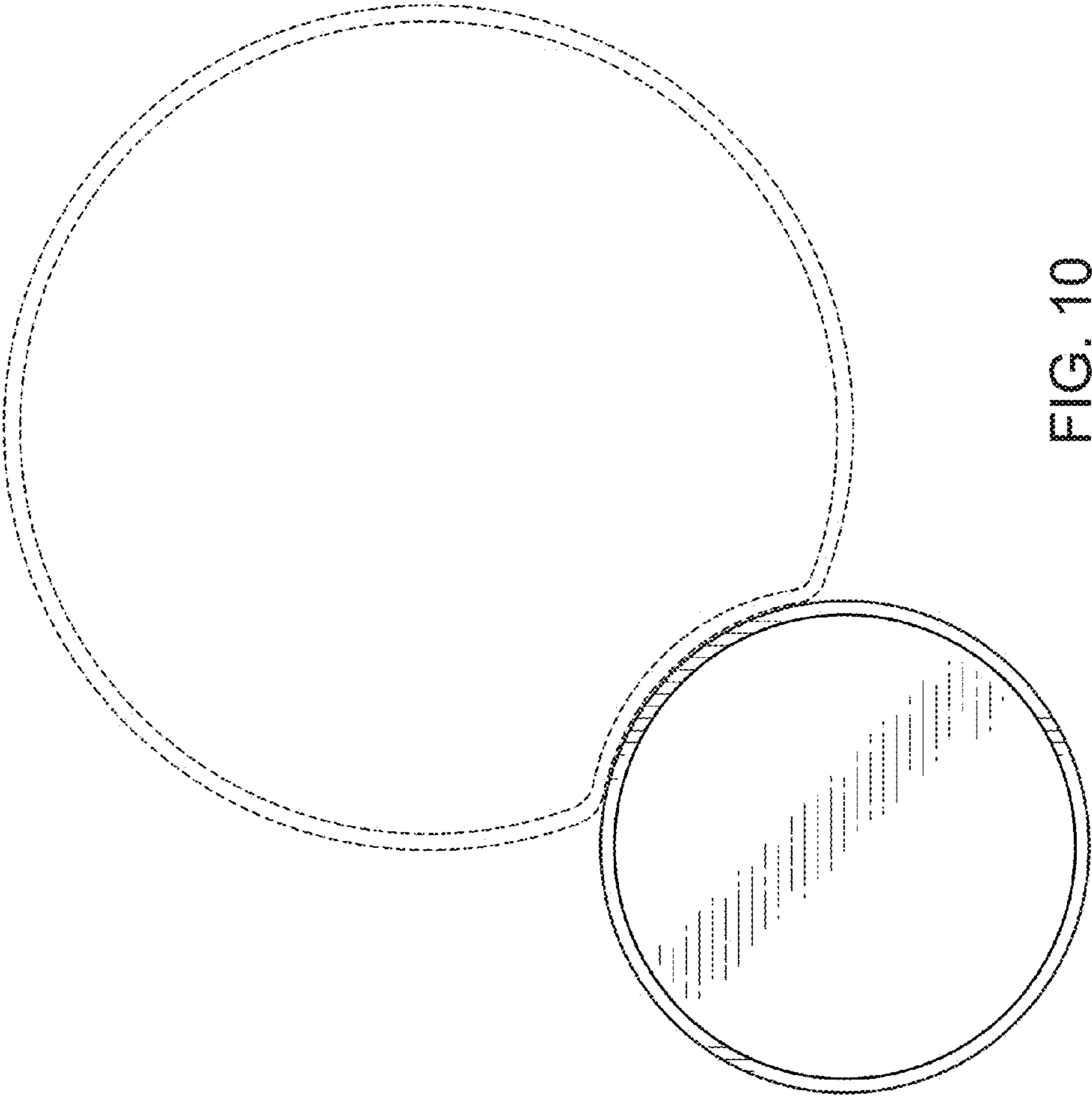


FIG. 10

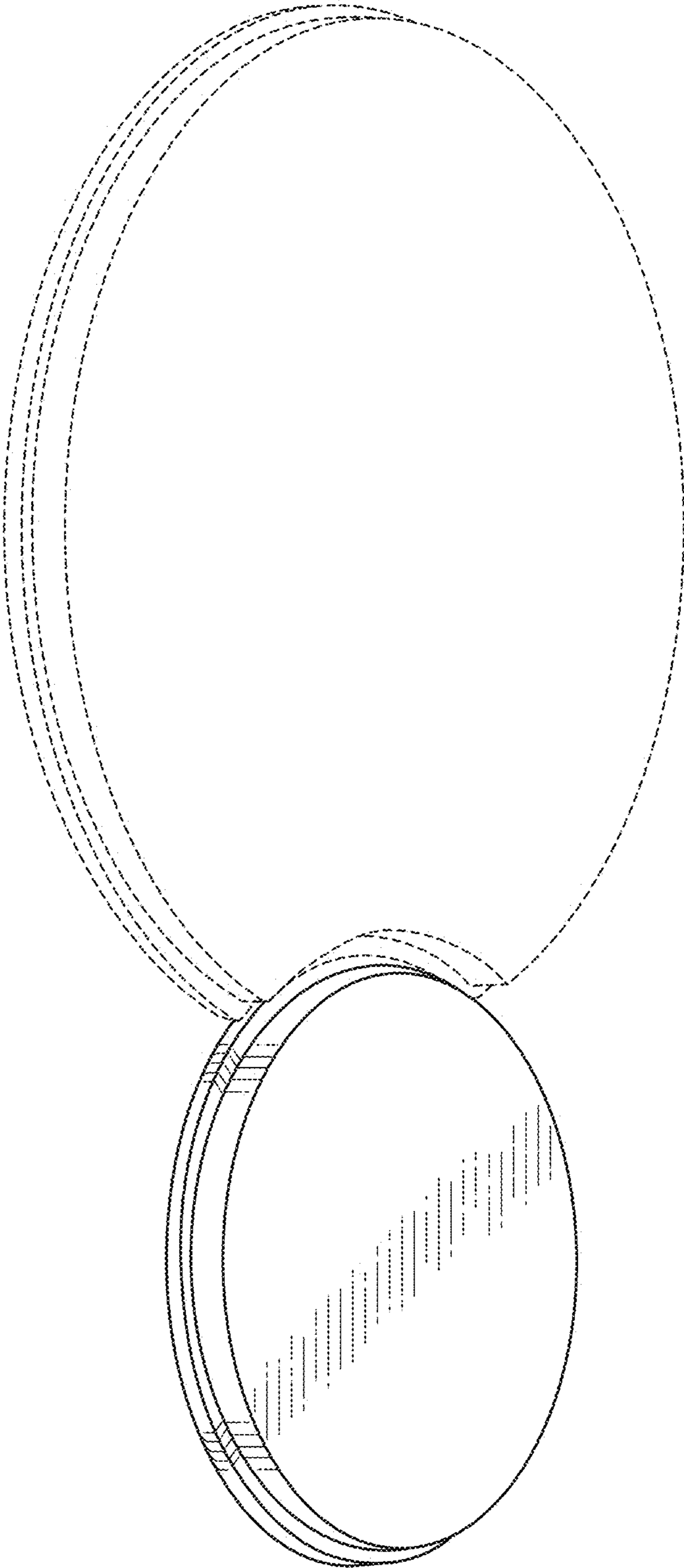


FIG. 11