

US00D754264S

(12) **United States Design Patent**
Beaver

(10) **Patent No.:** **US D754,264 S**

(45) **Date of Patent:** **** Apr. 19, 2016**

(54) **ELONGATED WEIGHT WITH HANDLES**

(71) Applicant: **Richard James Beaver**, Shropshire (GB)

(72) Inventor: **Richard James Beaver**, Shropshire (GB)

(73) Assignee: **Beaverfit Limited**, Shropshire (GB)

(**) Term: **14 Years**

(21) Appl. No.: **29/518,779**

(22) Filed: **Feb. 27, 2015**

(51) **LOC (10) Cl.** **21-02**

(52) **U.S. Cl.**
USPC **D21/680**

(58) **Field of Classification Search**

USPC D8/85, 45, 107, 90, 317, 387, 397, 343, D8/31, 75, 14; D21/680, 682, 681, 678, D21/662, 679, 684, 686, 801; 173/102, 103, 173/118, 126, 133; 482/108, 93, 110, 111, 482/105, 8, 107, 106, 139, 94, 104, 109, 482/140, 51, 70, 74, 98, 1, 121, 55; D9/629, 456, 680; D11/91, 81, 56, 80, D11/7, 52, 14, 201
CPC A63B 21/0552; A63B 23/0211; A63B 2208/0204; A63B 21/00069; A63B 21/0442; A63B 21/0004; A63B 23/12
See application file for complete search history.

(56) **References Cited**

U.S. PATENT DOCUMENTS

2,998,087 A * 8/1961 Iddings E02D 7/04
173/102
D305,718 S * 1/1990 Ashcraft D8/14

5,495,878 A * 3/1996 McKenen, Jr. B27L 7/005
144/193.1
D447,822 S * 9/2001 Dionne D25/126
D469,135 S * 1/2003 Bell D21/662
D544,554 S * 6/2007 Brun D21/662
D587,548 S * 3/2009 O'Toole D8/14
D658,953 S * 5/2012 Wilson D8/14
D675,494 S * 2/2013 Beem D8/14
D725,724 S * 3/2015 Bellantuono D21/682
2005/0246974 A1 * 11/2005 Anderson A62B 3/005
52/155

FOREIGN PATENT DOCUMENTS

GB 4032650 11/2013
GB 2511422 9/2014

OTHER PUBLICATIONS

Beaverfit Squad Log by Ministry of Defence Catalogue no date given.
Found online [Dec. 9, 2015] <http://www.modsport.co.uk/products/beaverfit-squad-log>.*

* cited by examiner

Primary Examiner — Robert M Spear

Assistant Examiner — Ryan Harvey

(74) *Attorney, Agent, or Firm* — Fay Sharpe LLP

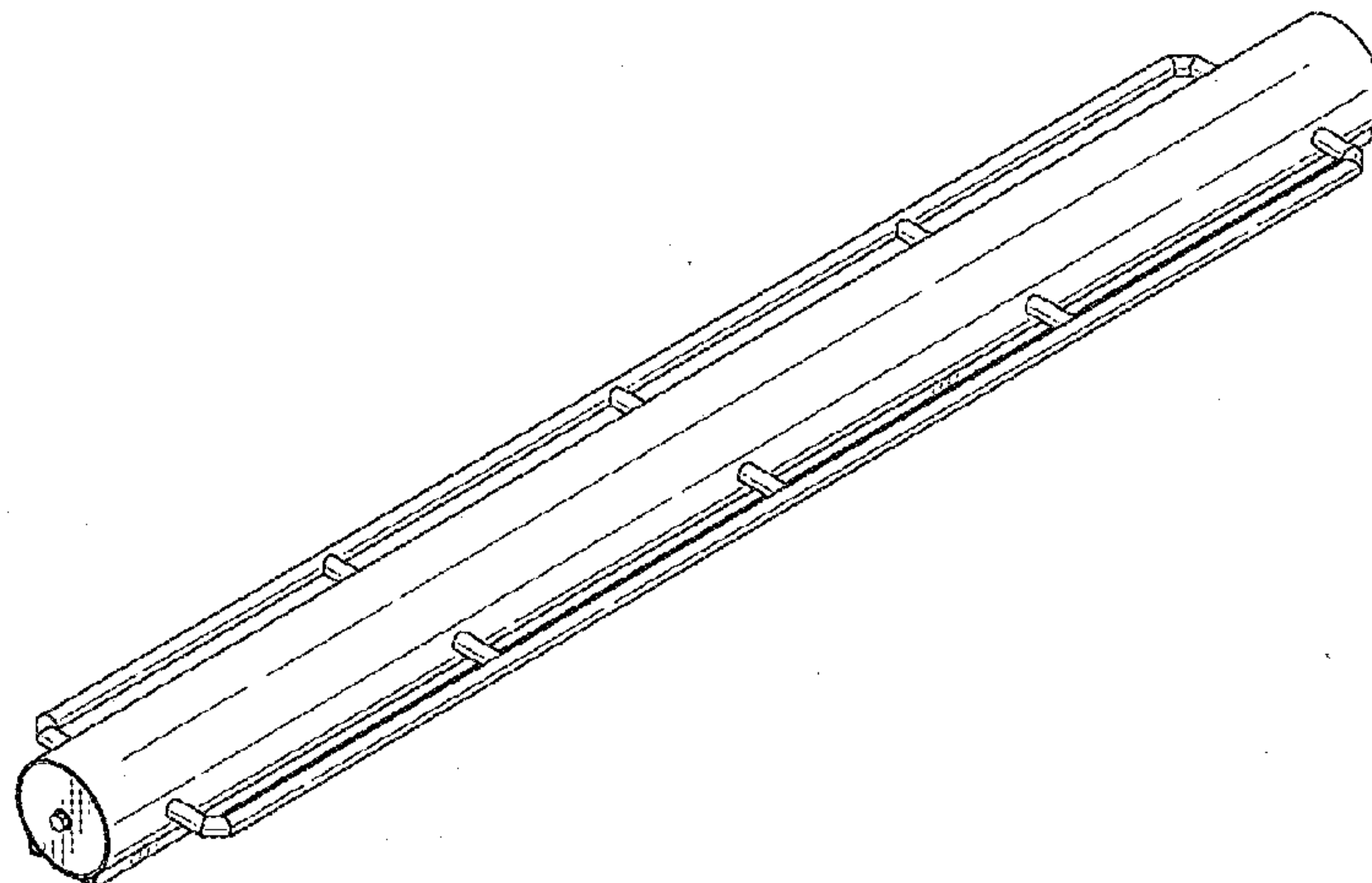
(57) **CLAIM**

The ornamental design for an elongated weight with handles, as shown and described.

DESCRIPTION

FIG. 1 is a perspective view of an elongated weight with handles showing my new design;
FIG. 2 is side elevation view thereof;
FIG. 3 is a left end elevation thereof, with a right end elevational view being a mirror image thereof; and,
FIG. 4 is a top plan view thereof.

1 Claim, 1 Drawing Sheet



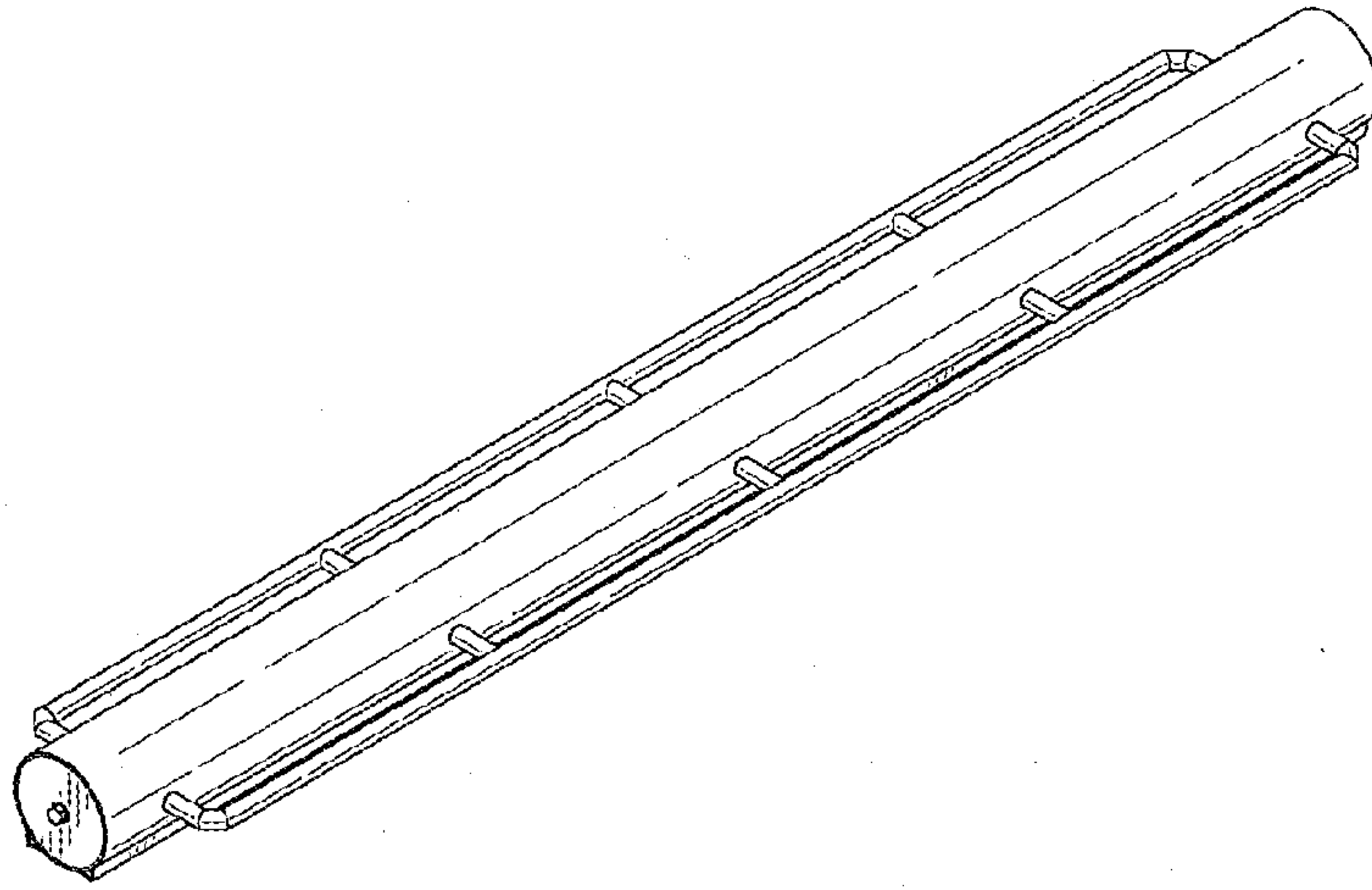


Fig. 1

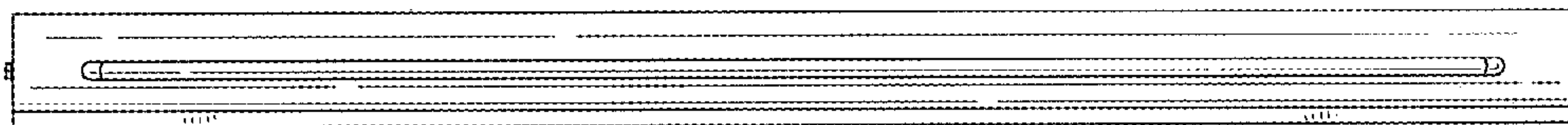


Fig. 2

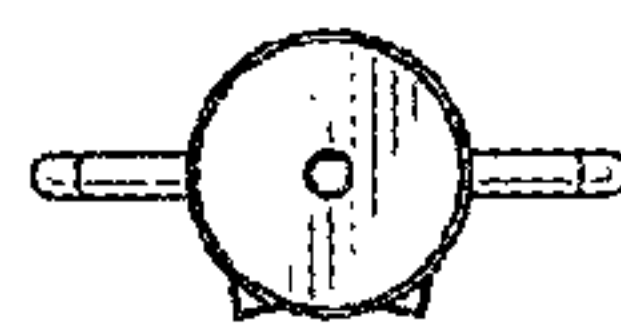


Fig. 3

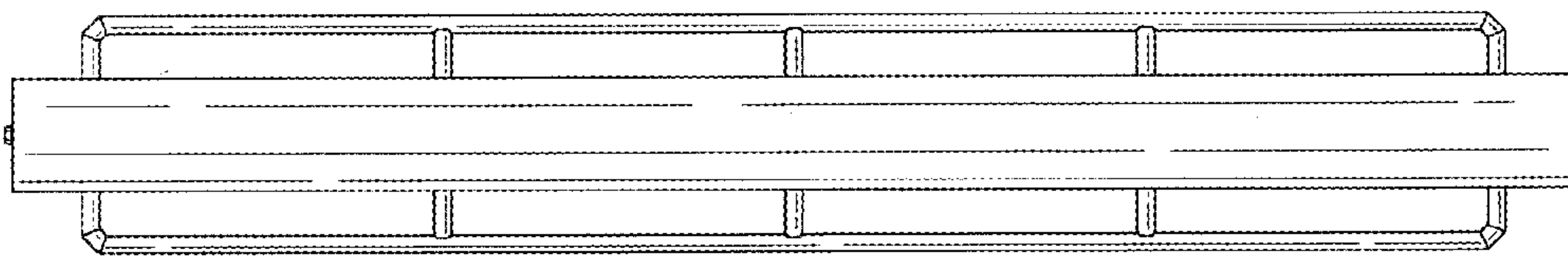


Fig. 4