



US00D754260S

(12) **United States Design Patent**  
**Chen et al.**

(10) **Patent No.:** **US D754,260 S**  
(45) **Date of Patent:** **\*\* Apr. 19, 2016**

(54) **BUILDING BLOCK**

(71) Applicant: **T-FUN COMPANY LIMITED**, New Taipei (TW)

(72) Inventors: **Tsai-Ti Chen**, New Taipei (TW); **Hero Lee**, New Taipei (TW)

(73) Assignee: **T-FUN COMPANY LIMITED**, New Taipei (TW)

(\*\*) Term: **14 Years**

(21) Appl. No.: **29/524,891**

(22) Filed: **Apr. 24, 2015**

(51) **LOC (10) Cl.** ..... **21-01**

(52) **U.S. Cl.**  
USPC ..... **D21/484**

(58) **Field of Classification Search**

USPC ..... D21/386, 389, 404, 468, 470, 471,  
D21/484-505; 446/69, 85, 102-128;  
434/208, 259, 403; 273/153, 156, 160  
CPC ..... A63H 33/00; A63H 33/04; A63H 33/06;  
A63H 33/08; A63H 33/084; A63H 33/086;  
A63H 33/088; A63H 33/10; A63H 33/105;  
A63H 33/108; A63H 33/52; A63H 3/00;  
A63H 3/16; A63H 3/46

See application file for complete search history.

(56) **References Cited**

**U.S. PATENT DOCUMENTS**

4,642,064 A \* 2/1987 Yoke ..... A63H 33/003  
446/101  
D341,170 S \* 11/1993 Olsen ..... D21/495

D371,582 S \* 7/1996 Olsen ..... D21/503  
D410,043 S \* 5/1999 Petersen ..... D21/495  
5,913,706 A \* 6/1999 Glickman ..... A63H 33/062  
446/120  
6,287,166 B1 \* 9/2001 Lee ..... A63H 3/46  
446/376  
6,692,332 B2 \* 2/2004 Jheow ..... A63H 3/46  
446/383  
D617,397 S \* 6/2010 Thorogood ..... D21/502  
9,067,147 B1 \* 6/2015 Woodhouse ..... A63H 3/16  
2015/0314209 A1 \* 11/2015 Brooks ..... A63H 33/08  
446/128

\* cited by examiner

*Primary Examiner* — Cynthia M Chin

(74) *Attorney, Agent, or Firm* — Lin & Associates Intellectual Property, Inc.

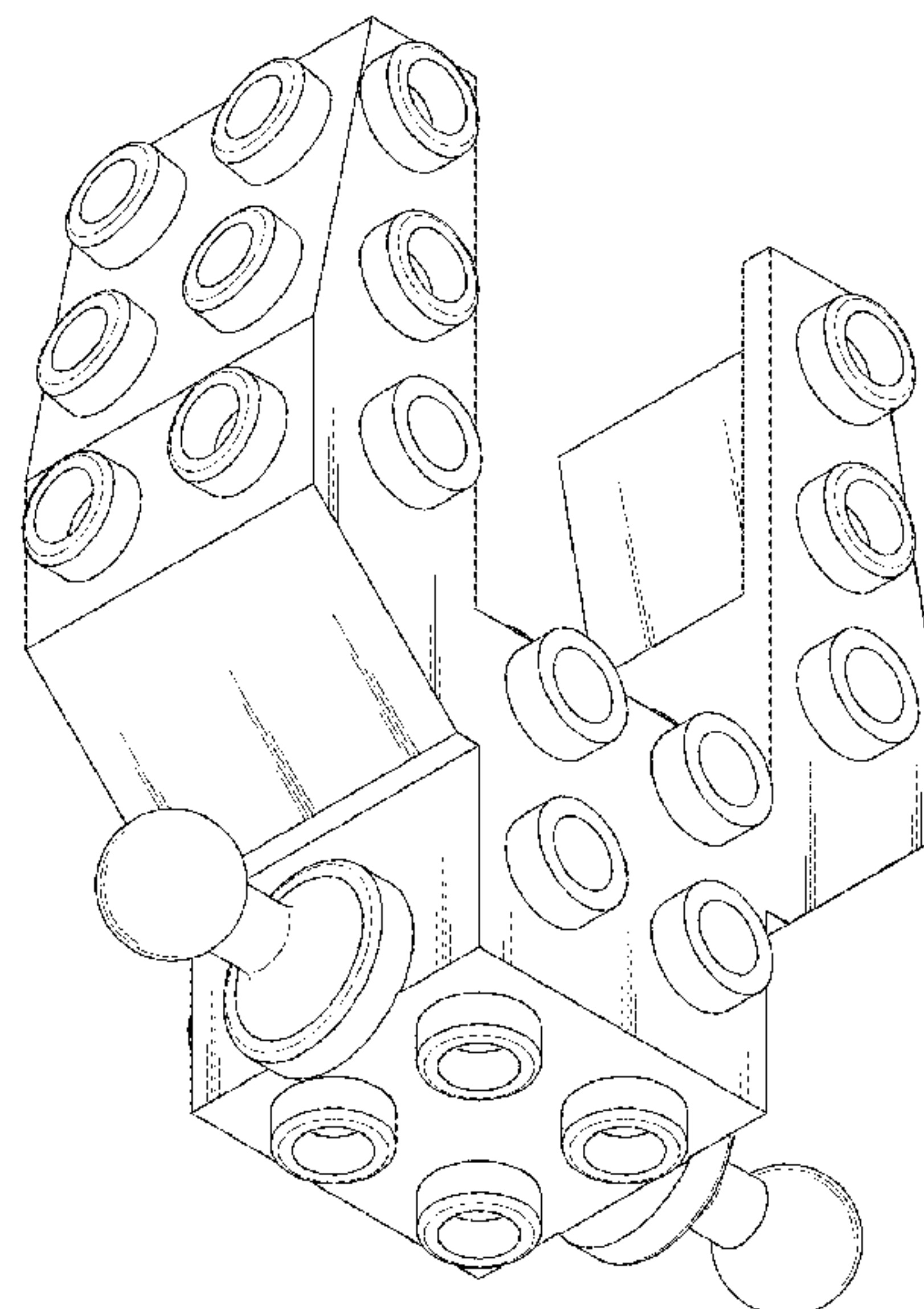
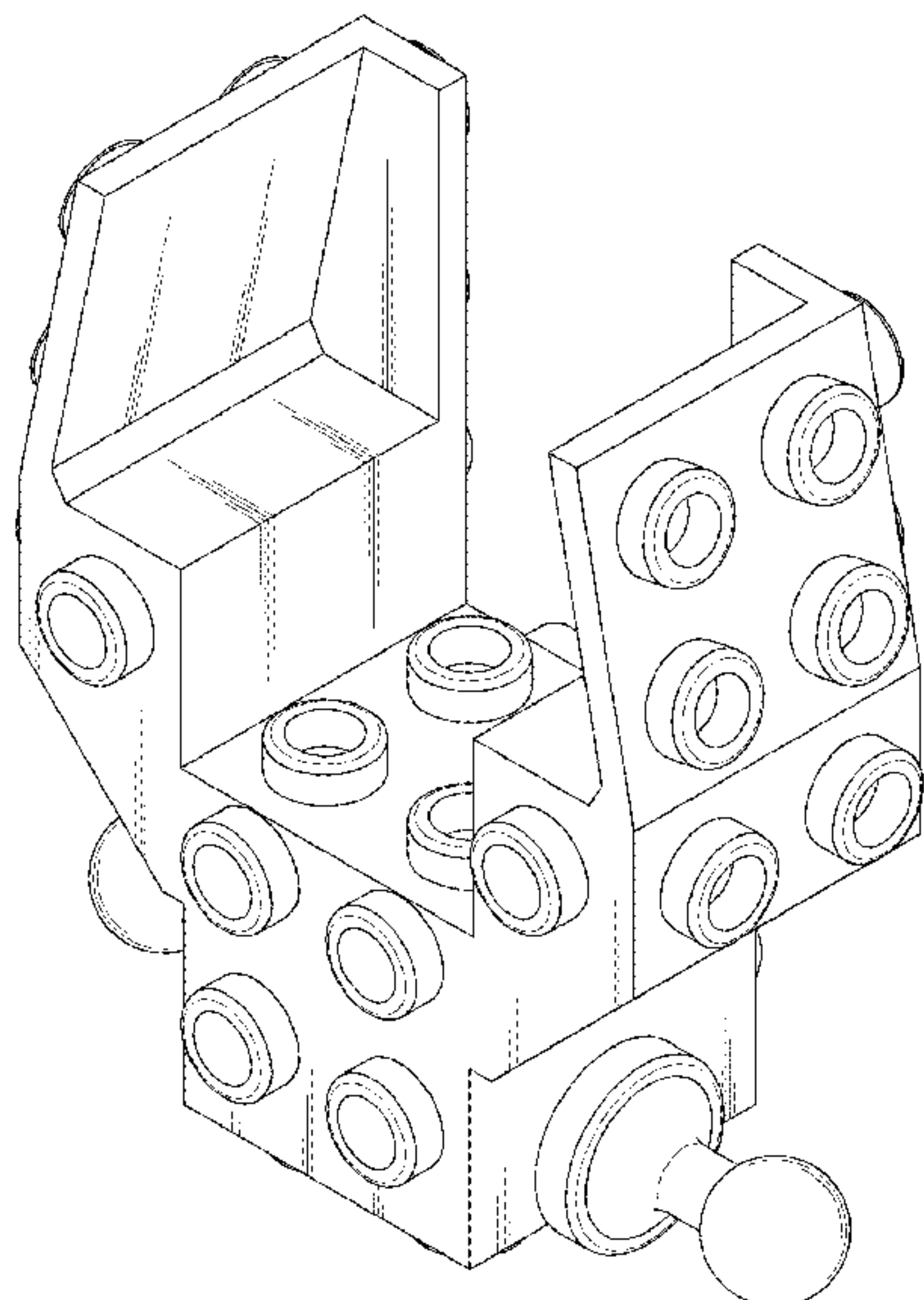
(57) **CLAIM**

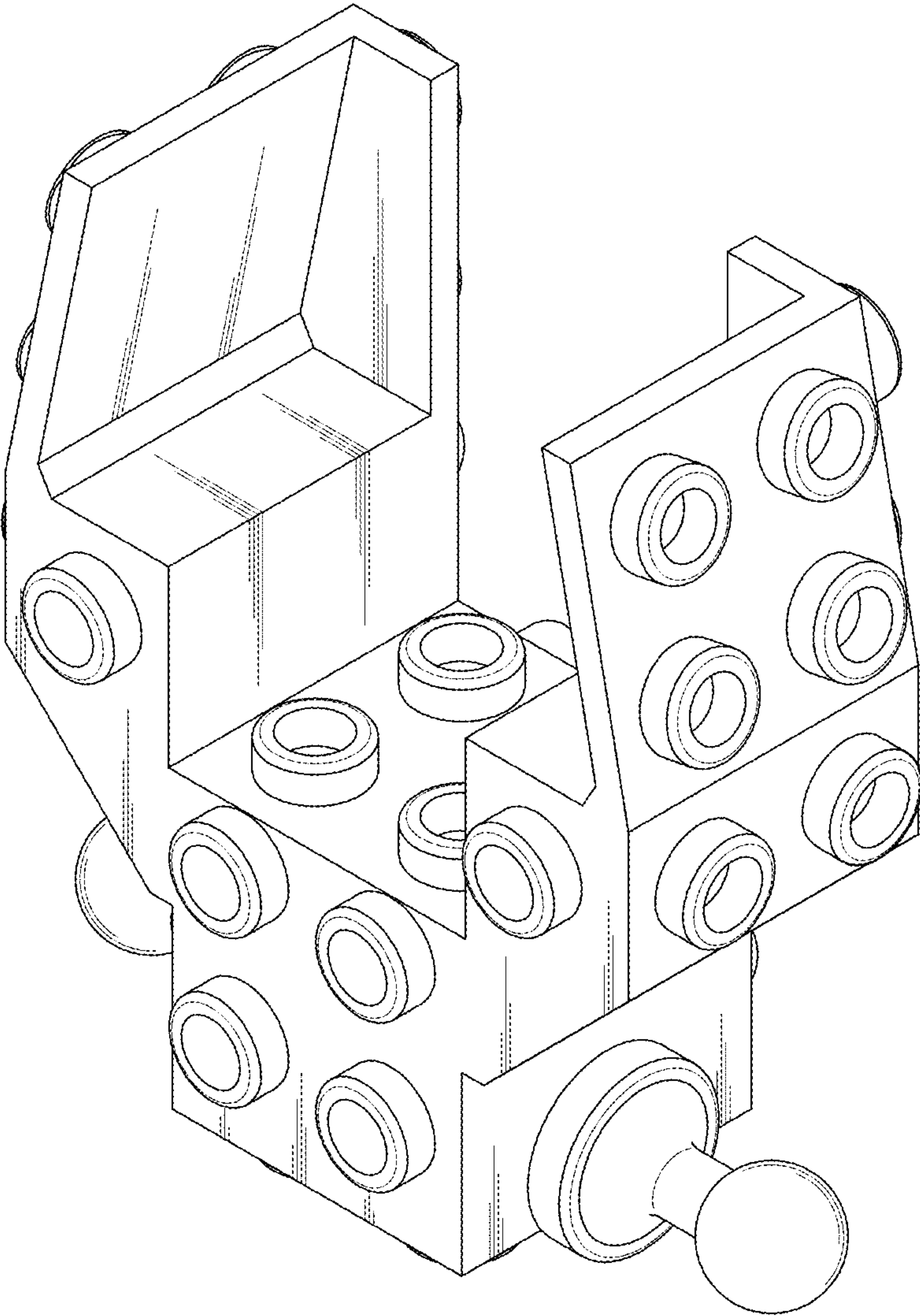
The ornamental design for a building block, as shown and described.

**DESCRIPTION**

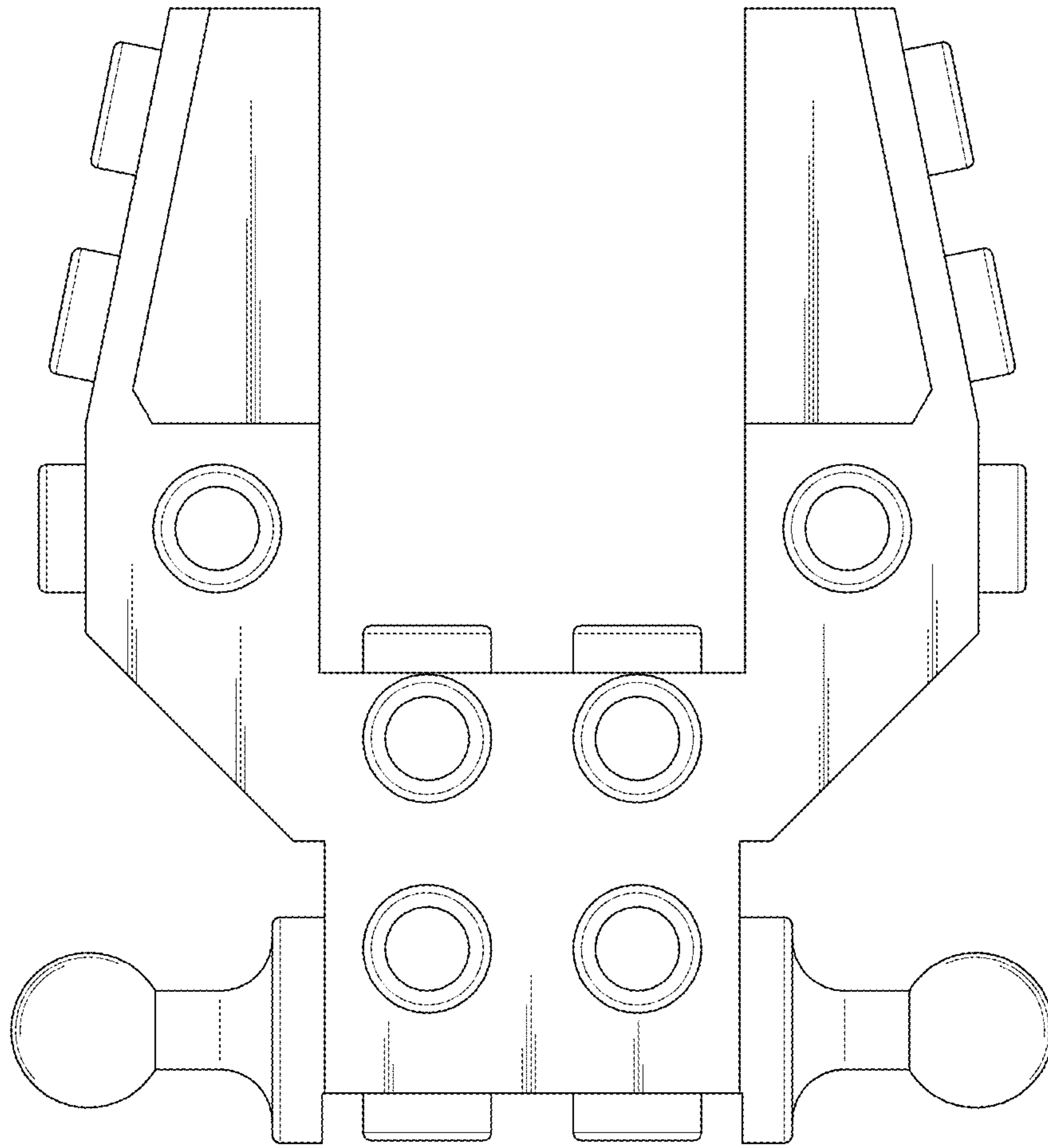
FIG. 1 is a perspective view of a building block showing my new design;  
FIG. 2 is a front elevational view thereof;  
FIG. 3 is a rear elevational view thereof;  
FIG. 4 is a left elevational view thereof;  
FIG. 5 is a right elevational view thereof;  
FIG. 6 is a top view thereof;  
FIG. 7 is a bottom view thereof; and,  
FIG. 8 is a perspective view from another direction of the building block.

**1 Claim, 8 Drawing Sheets**

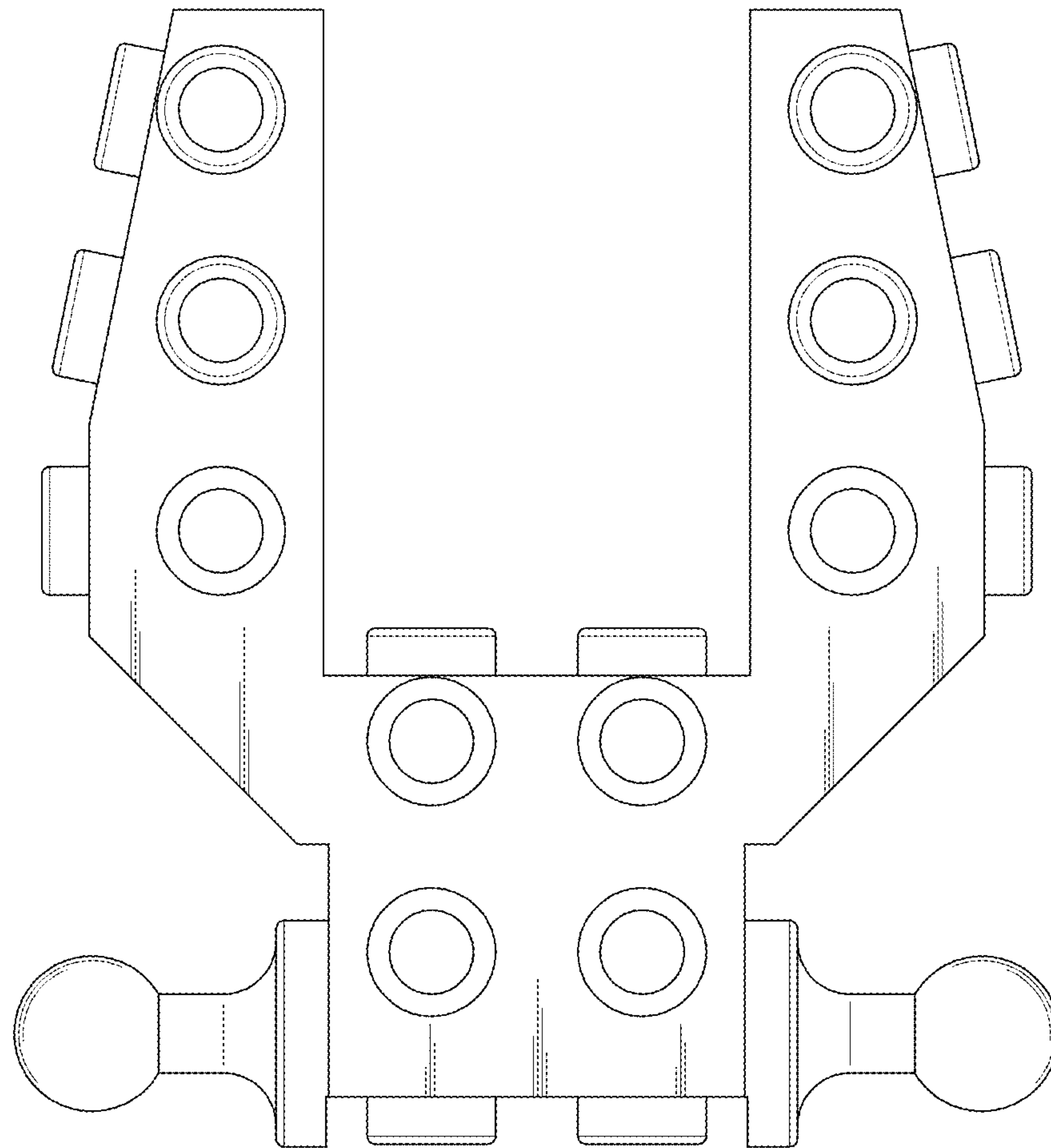




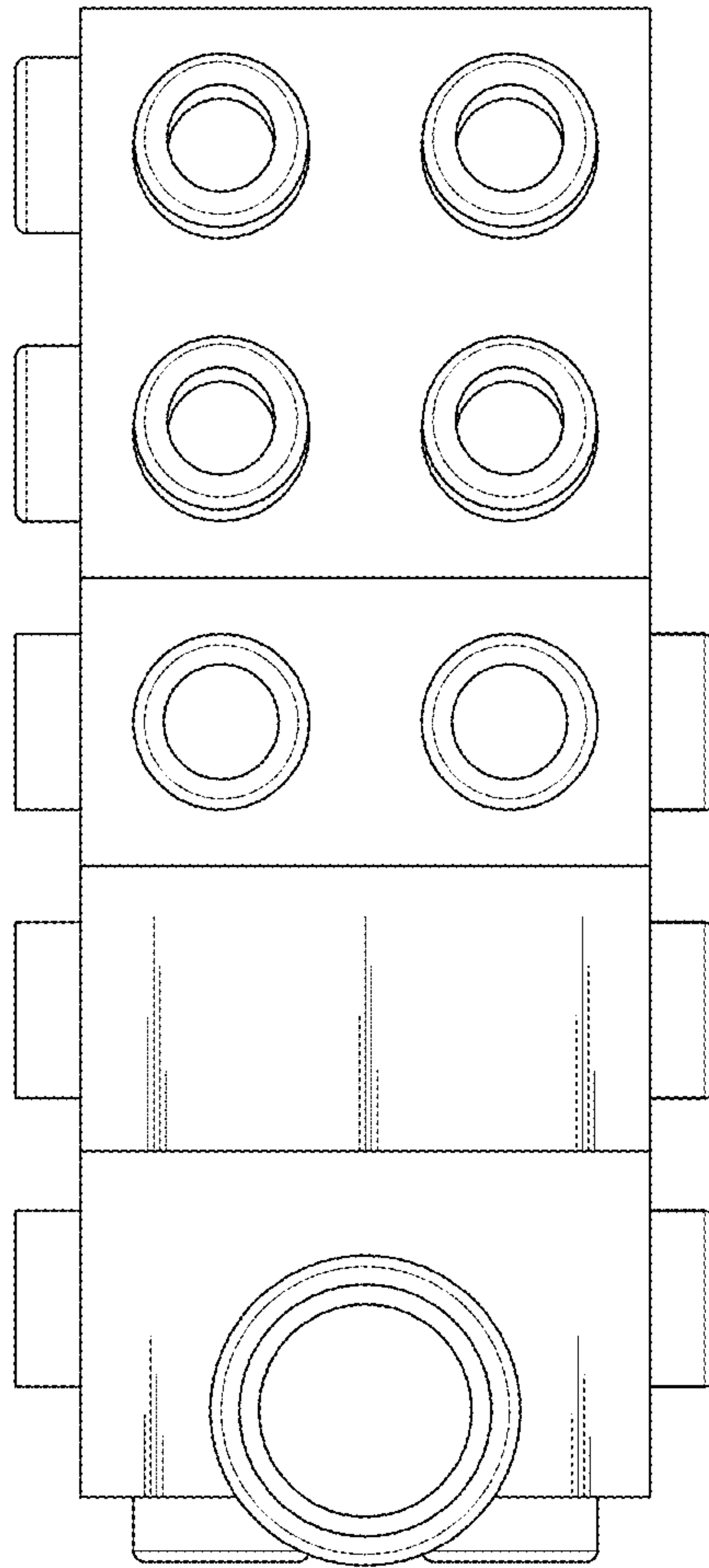
**FIG. 1**



**FIG. 2**

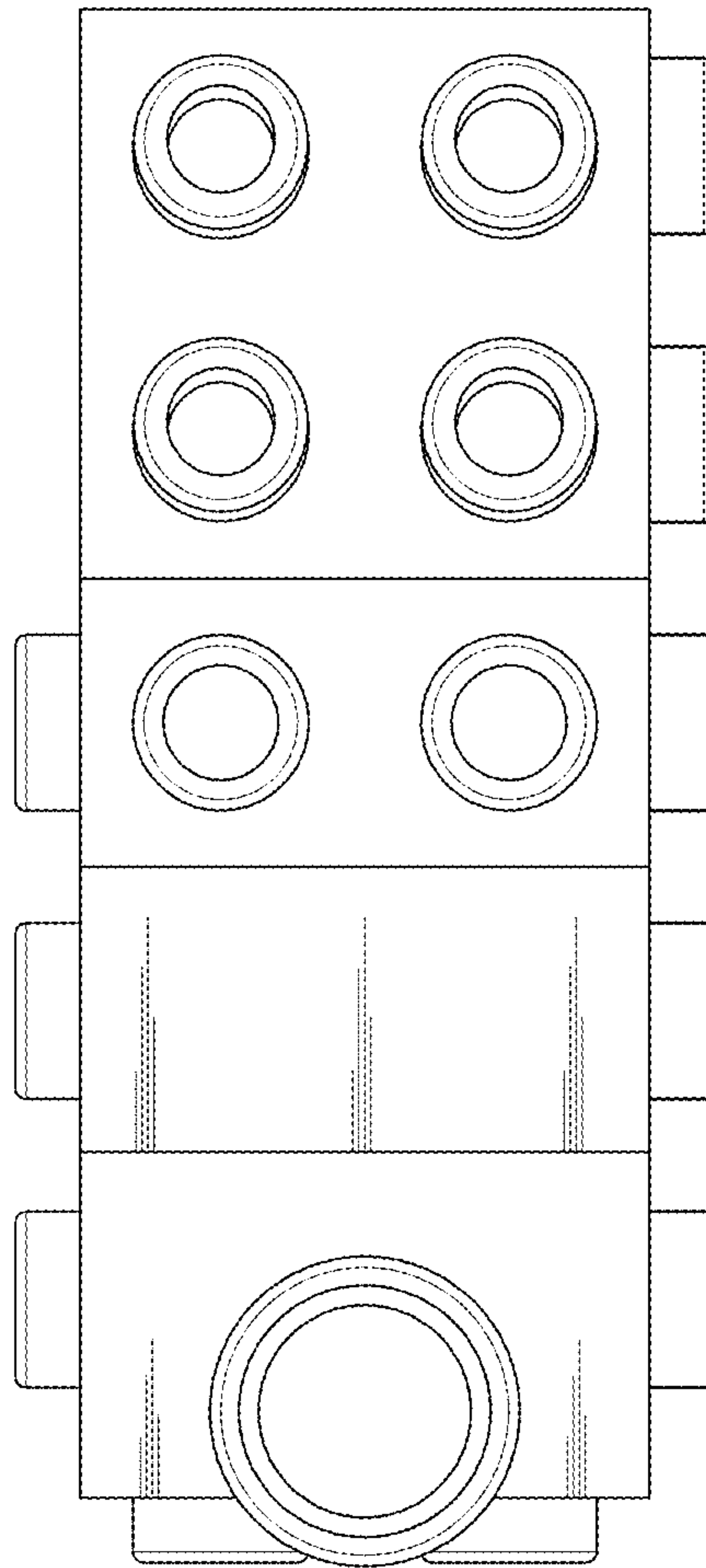


**FIG. 3**

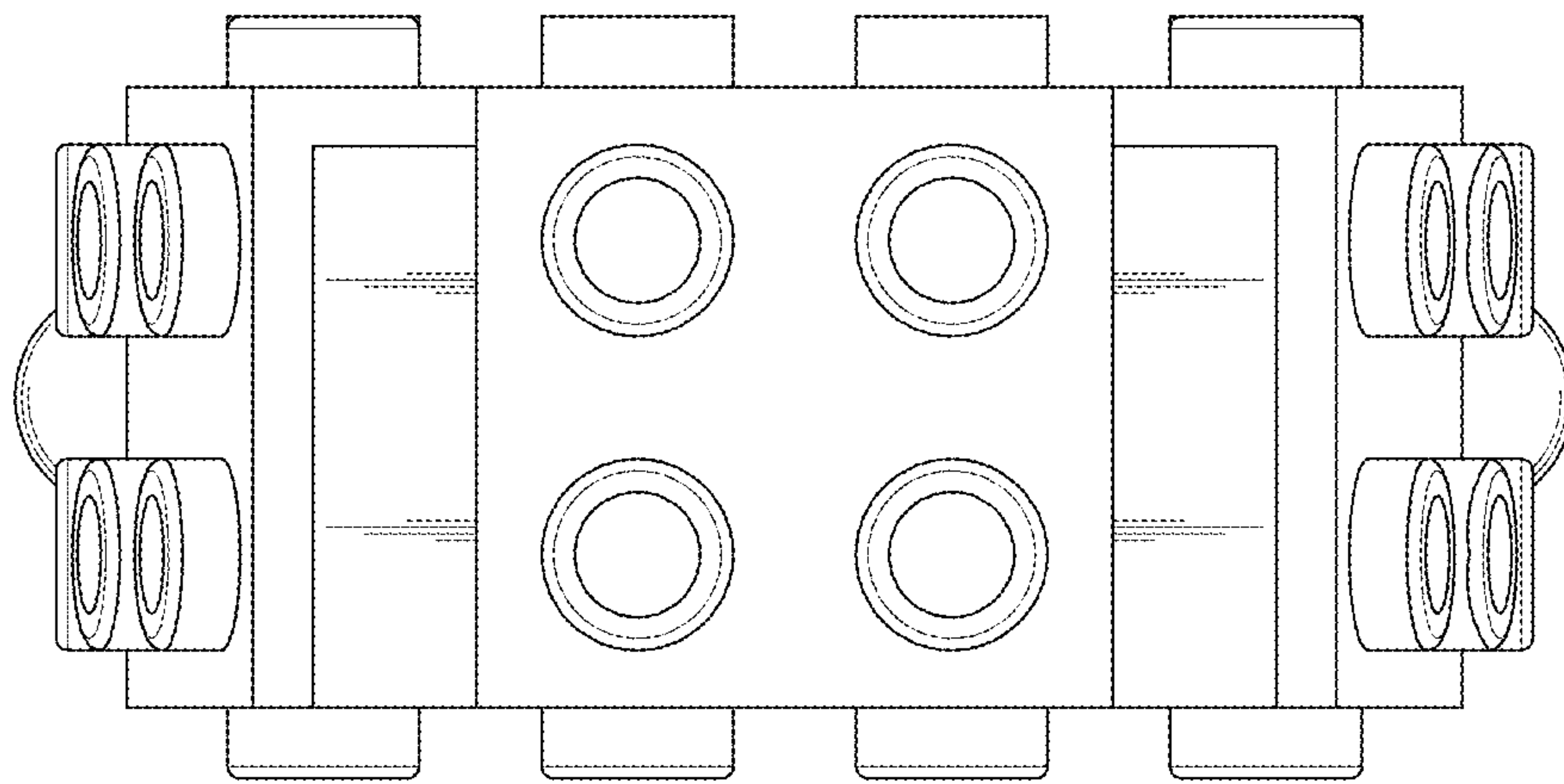


**FIG. 4**

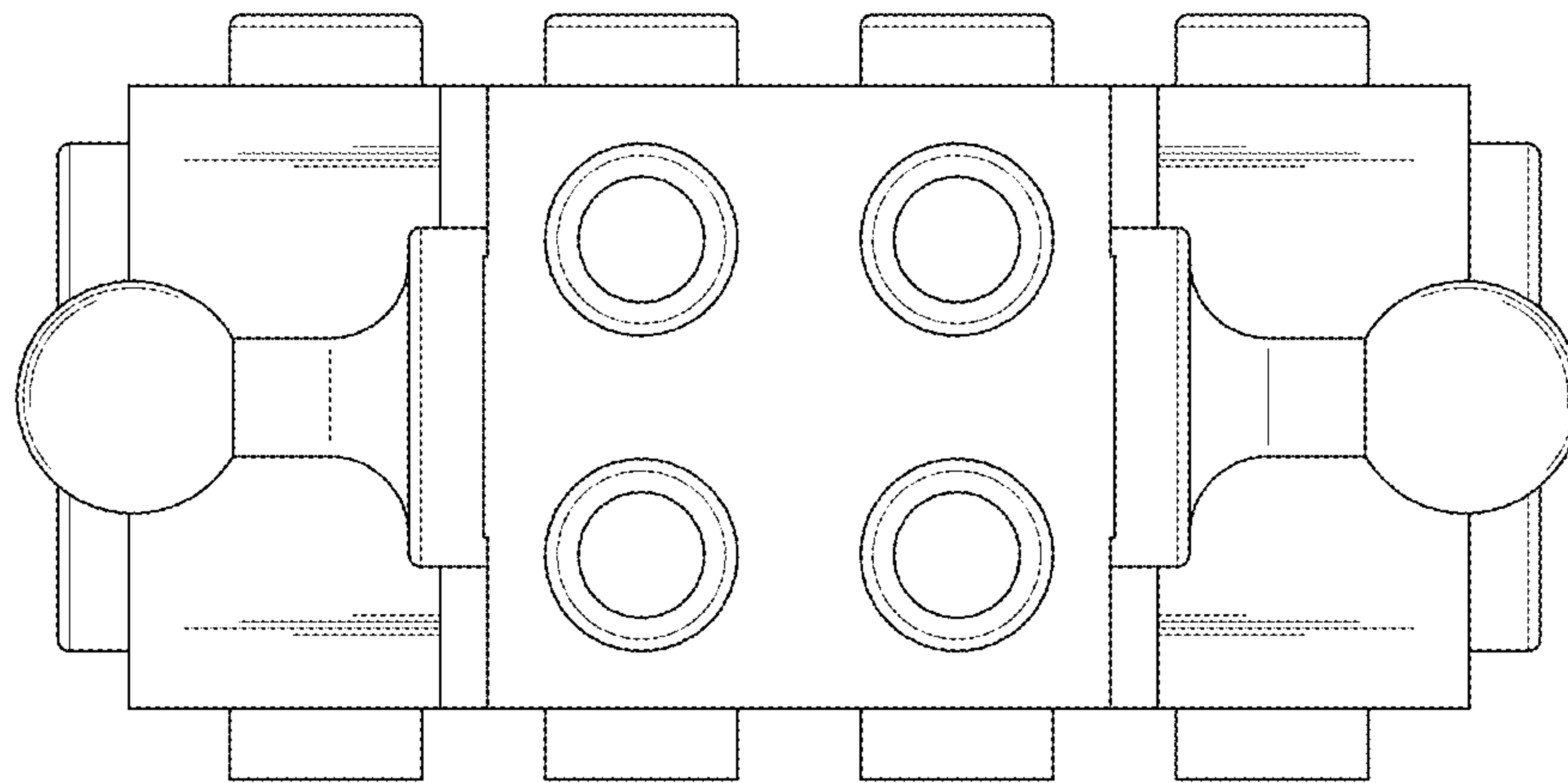




**FIG. 5**



**FIG. 6**



**FIG. 7**



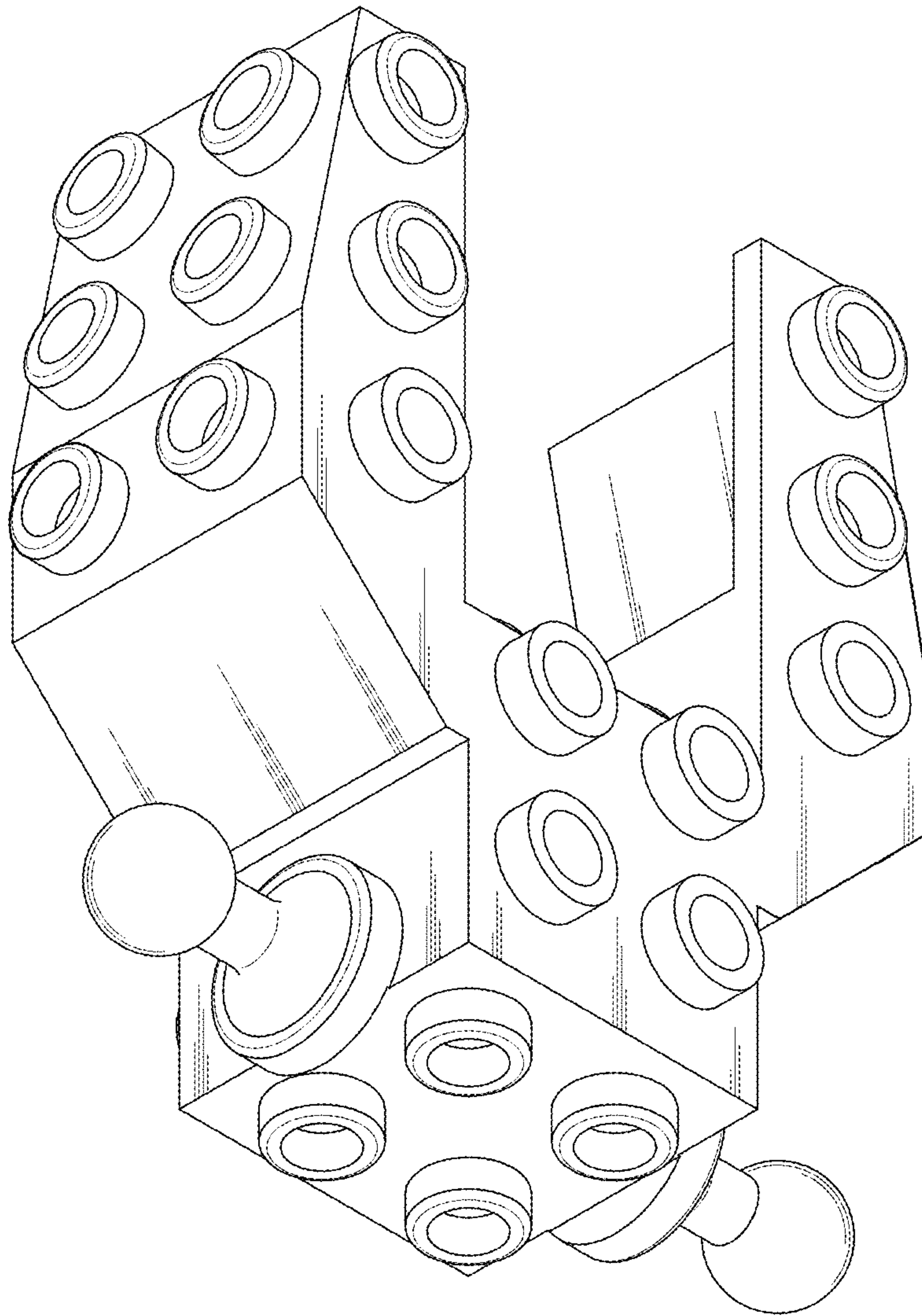


FIG. 8