



US00D754259S

(12) **United States Design Patent**
Mcphee

(10) **Patent No.:** **US D754,259 S**
(45) **Date of Patent:** **** Apr. 19, 2016**

(54) **KENDAMA TOY**

(71) Applicant: **Benjamin James Mcphee**, Phoenix, AZ
(US)

(72) Inventor: **Benjamin James Mcphee**, Phoenix, AZ
(US)

(**) Term: **14 Years**

(21) Appl. No.: **29/516,419**

(22) Filed: **Feb. 2, 2015**

(51) **LOC (10) Cl.** **21-01**

(52) **U.S. Cl.**

USPC **D21/466; D21/398; D21/707**

(58) **Field of Classification Search**

USPC D21/301, 304, 309, 398, 465, 466, 468,
D21/719, 455, 461, 463, 707, 713, 715,
D21/717; D30/160; 473/505, 506, 507, 514
CPC A63B 67/10; A63B 67/205; A63B 67/22;
A63B 59/30

See application file for complete search history.

(56) **References Cited**

U.S. PATENT DOCUMENTS

884,387	A *	4/1908	Hettinger	A63B 67/10 273/335
1,527,532	A *	2/1925	Alcaraz	A63B 67/10 473/506
1,556,794	A *	10/1925	Manson	A63B 67/10 473/506
1,942,719	A *	1/1934	Mikamo	A63B 67/205 473/507
3,591,179	A *	7/1971	Pentek	A63H 1/12 446/263

D257,633	S *	12/1980	Garcia	473/506
D321,537	S *	11/1991	Aguilar	D21/465
D367,504	S *	2/1996	Barzani	D21/498
6,048,283	A *	4/2000	Albarelli, Jr.	A63B 43/00 473/119
D704,277	S *	5/2014	Cerny	D21/465
D706,875	S *	6/2014	Saber	D21/398
D710,951	S *	8/2014	Robertson	D21/465
2015/0314181	A1 *	11/2015	Iwata	A63B 67/10 473/506

FOREIGN PATENT DOCUMENTS

CN	301626091	*	7/2011
CN	302384156	*	4/2013
CN	302519265	*	7/2013
JP	D1125552	*	11/2001

* cited by examiner

Primary Examiner — Catherine Tuttle

(74) *Attorney, Agent, or Firm* — Barnes & Thornburg LLP;
Mark J. Nahnsen

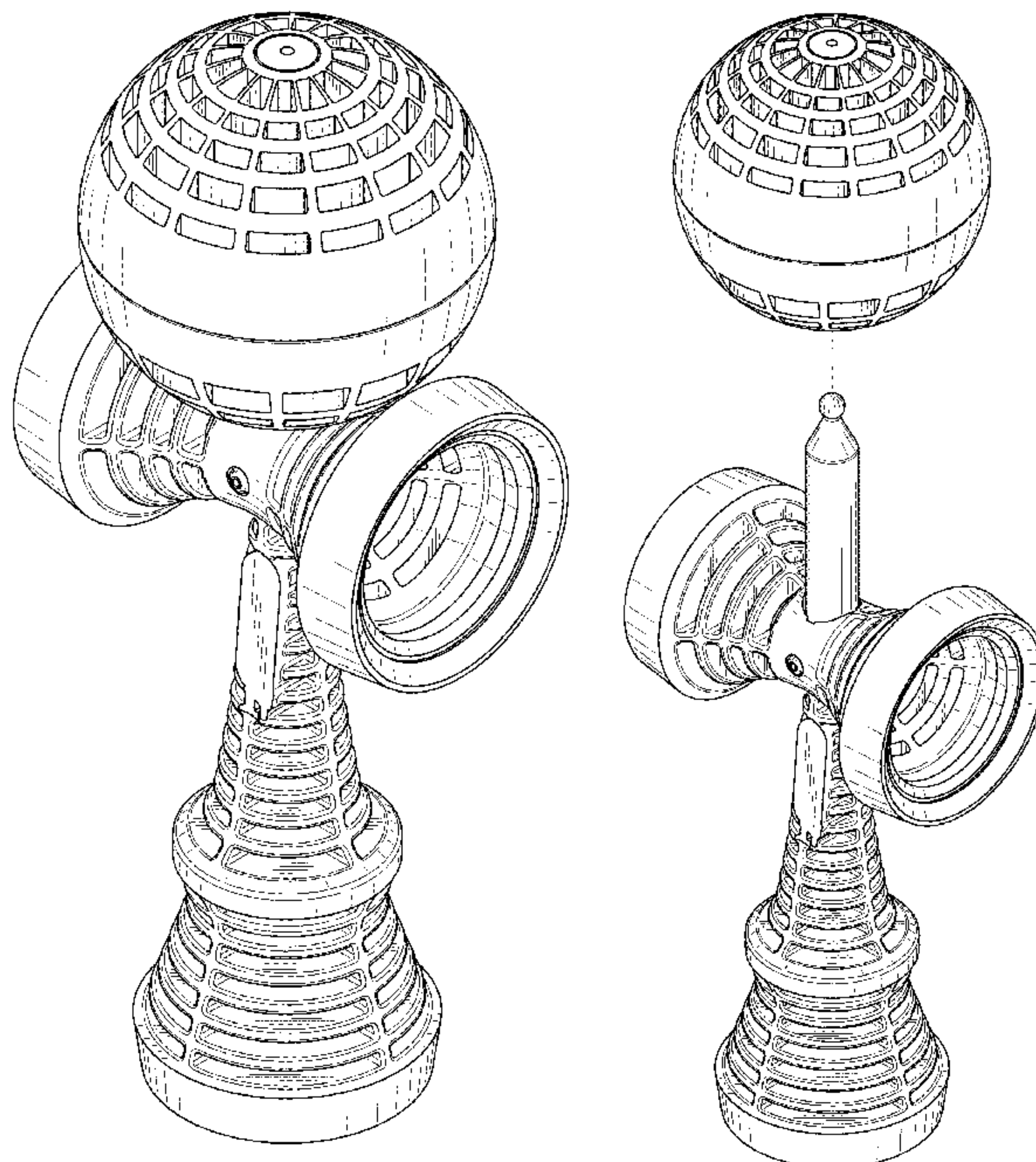
(57) **CLAIM**

The ornamental design for a Kendama toy, as shown and described.

DESCRIPTION

FIG. 1 is a perspective view of a Kendama toy;
FIG. 2 is a front elevational view thereof;
FIG. 3 is a rear elevational view thereof;
FIG. 4 is a side elevational view thereof;
FIG. 5 is another side elevational view thereof;
FIG. 6 is a top plan view thereof; and
FIG. 7 is a bottom plan view thereof; and
FIG. 8 is a perspective view with the ball separated from the handle.

1 Claim, 7 Drawing Sheets



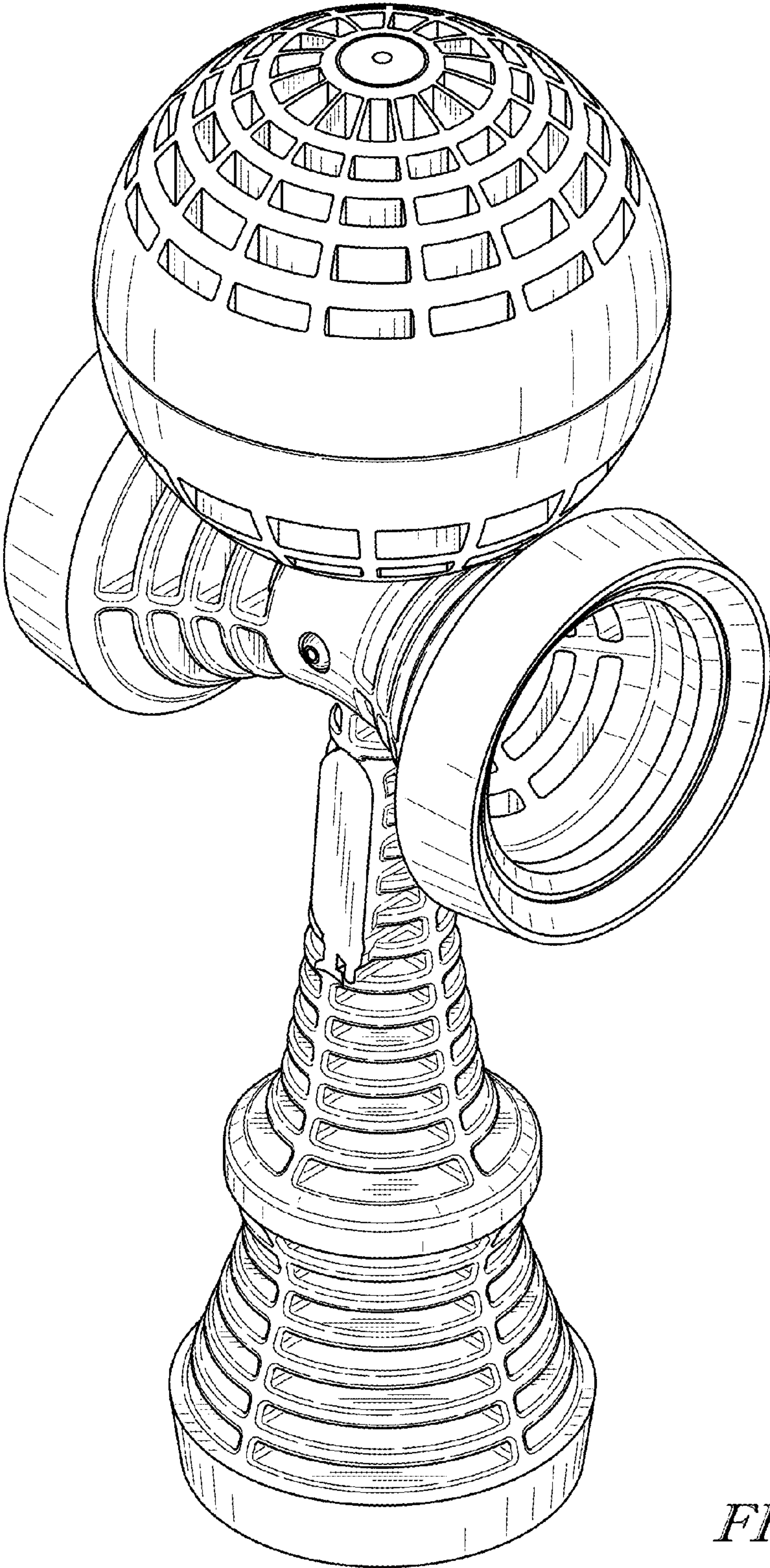


FIG. 1

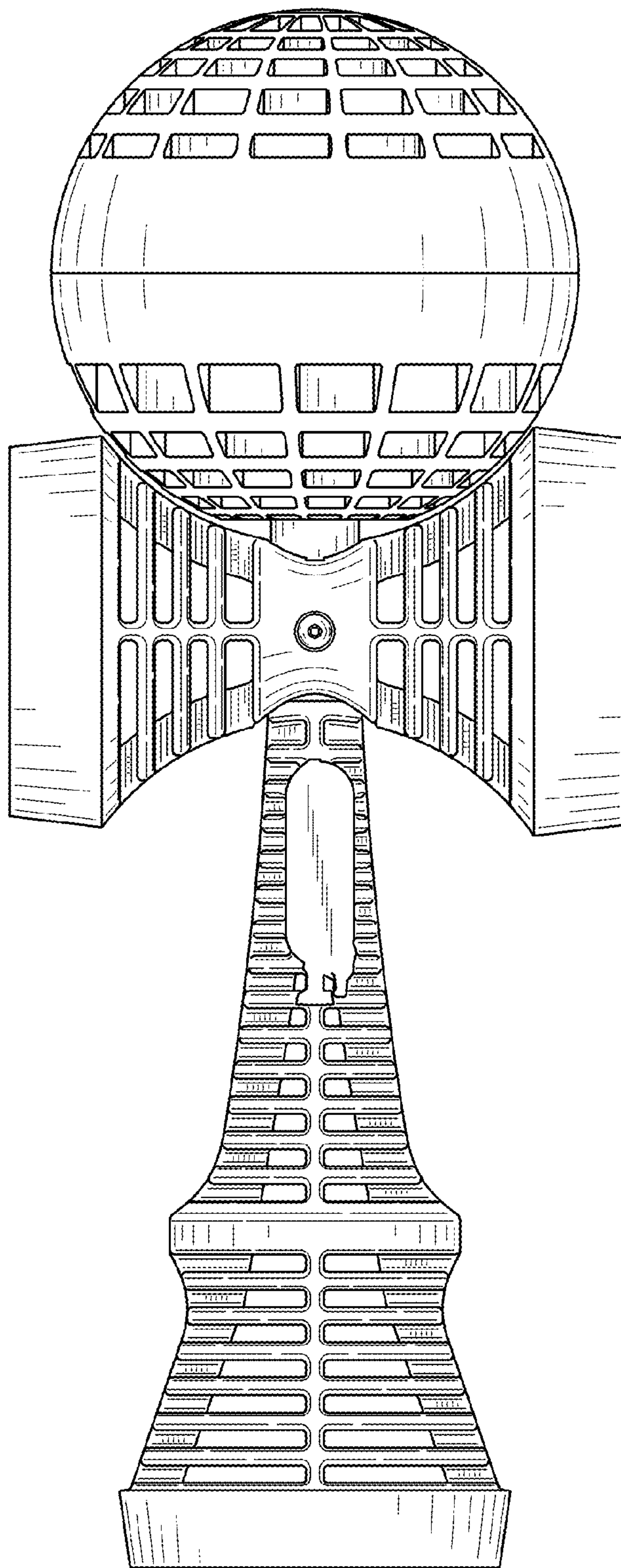


FIG. 2

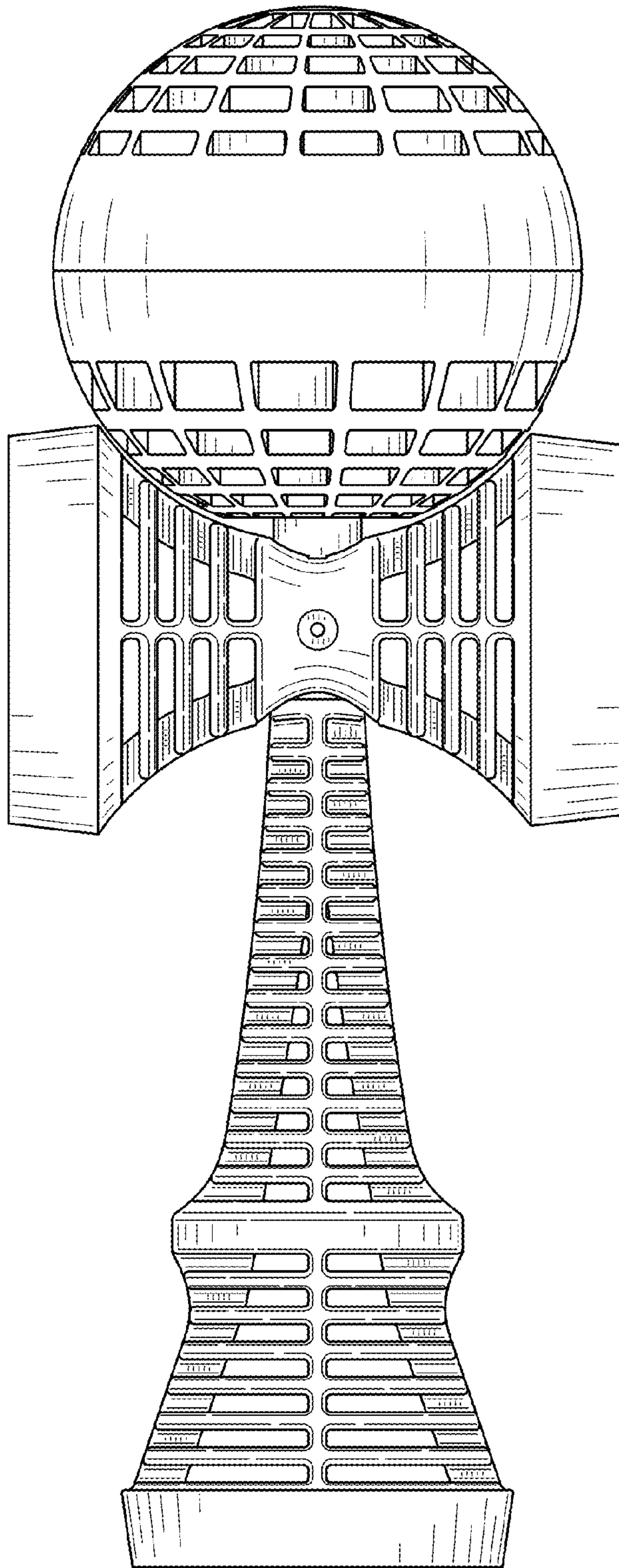


FIG. 3

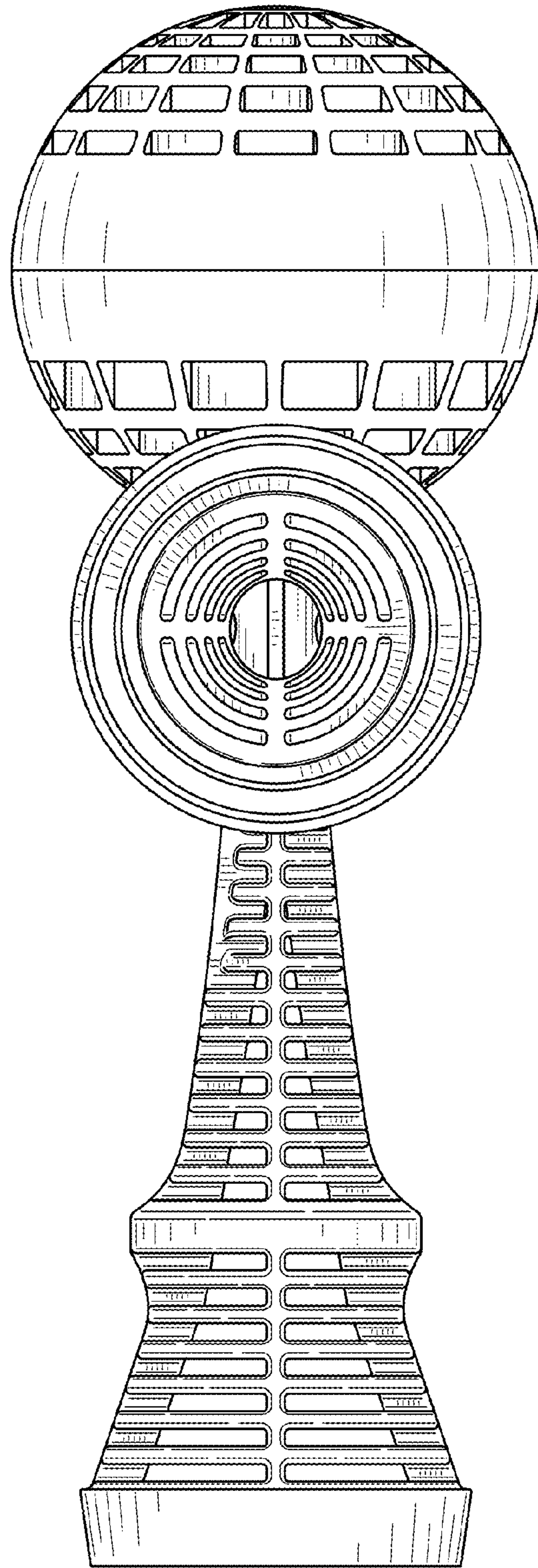


FIG. 4

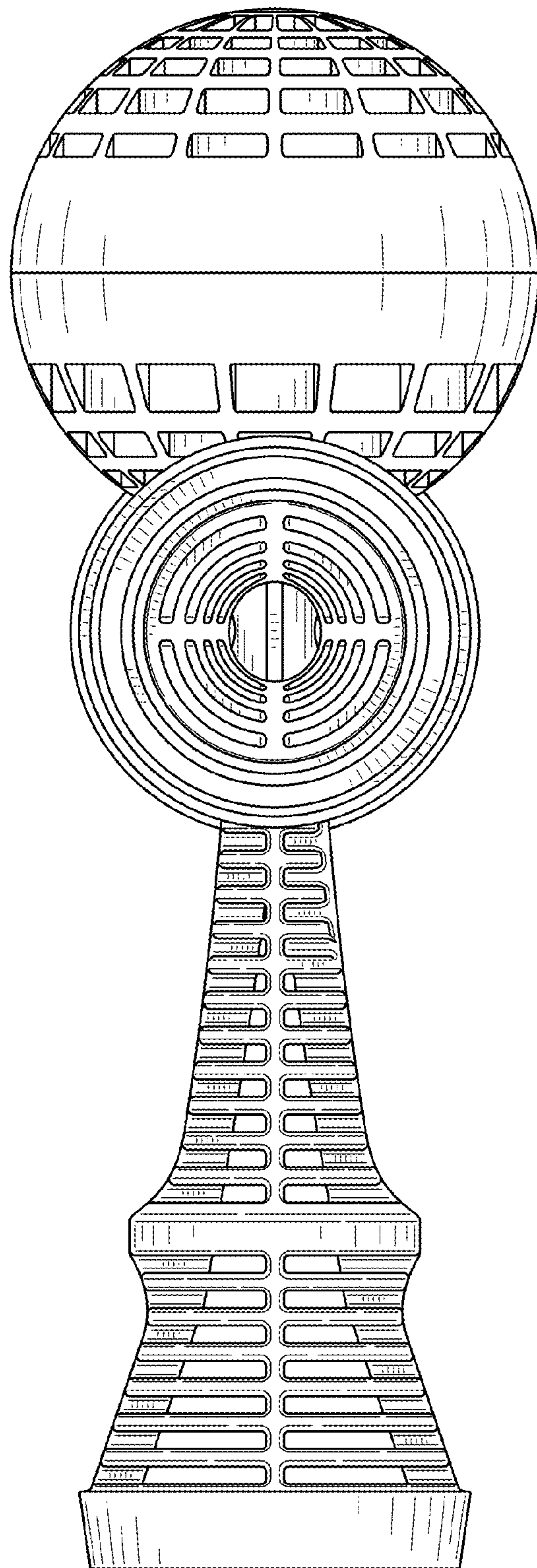


FIG. 5

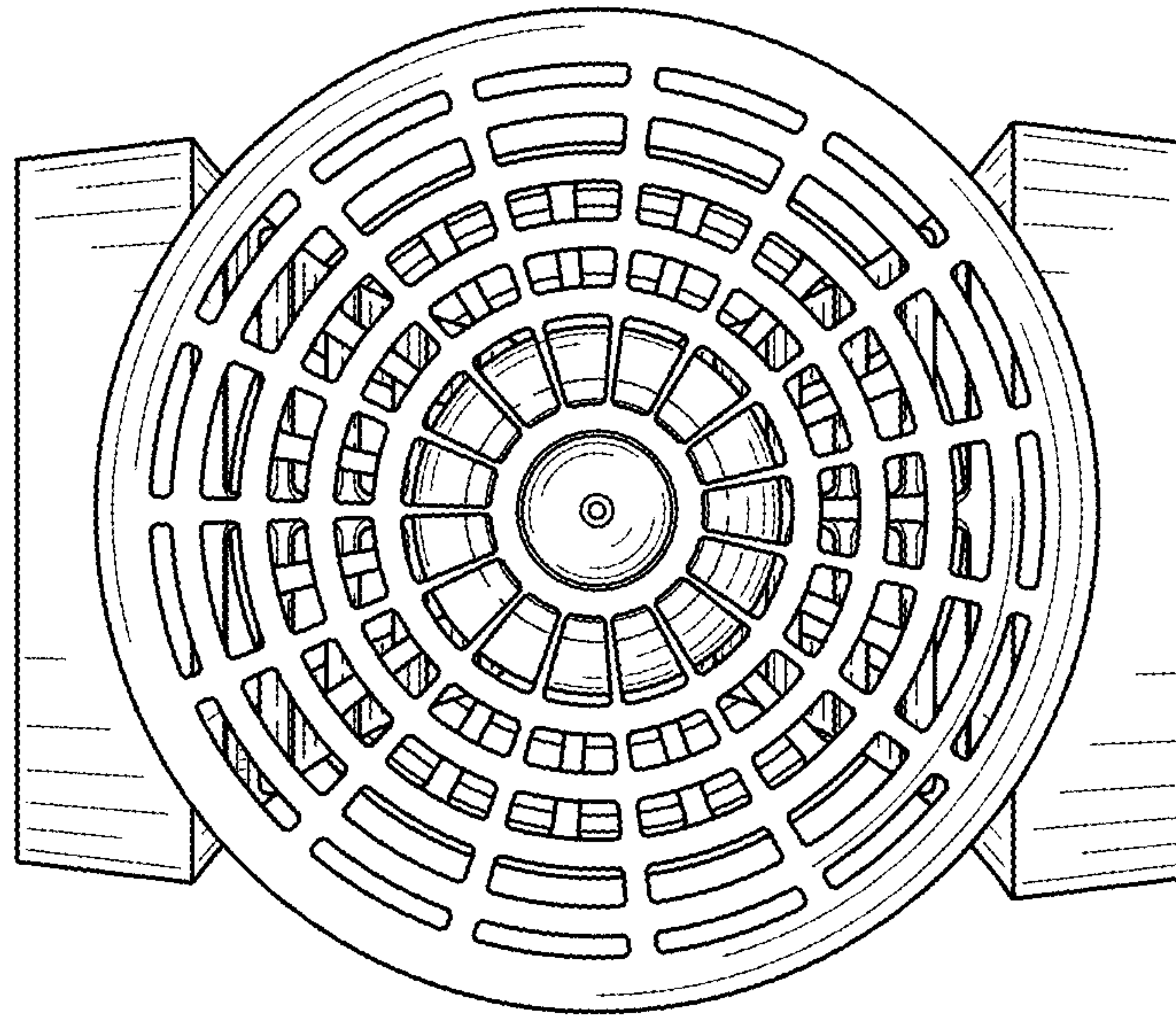


FIG. 6

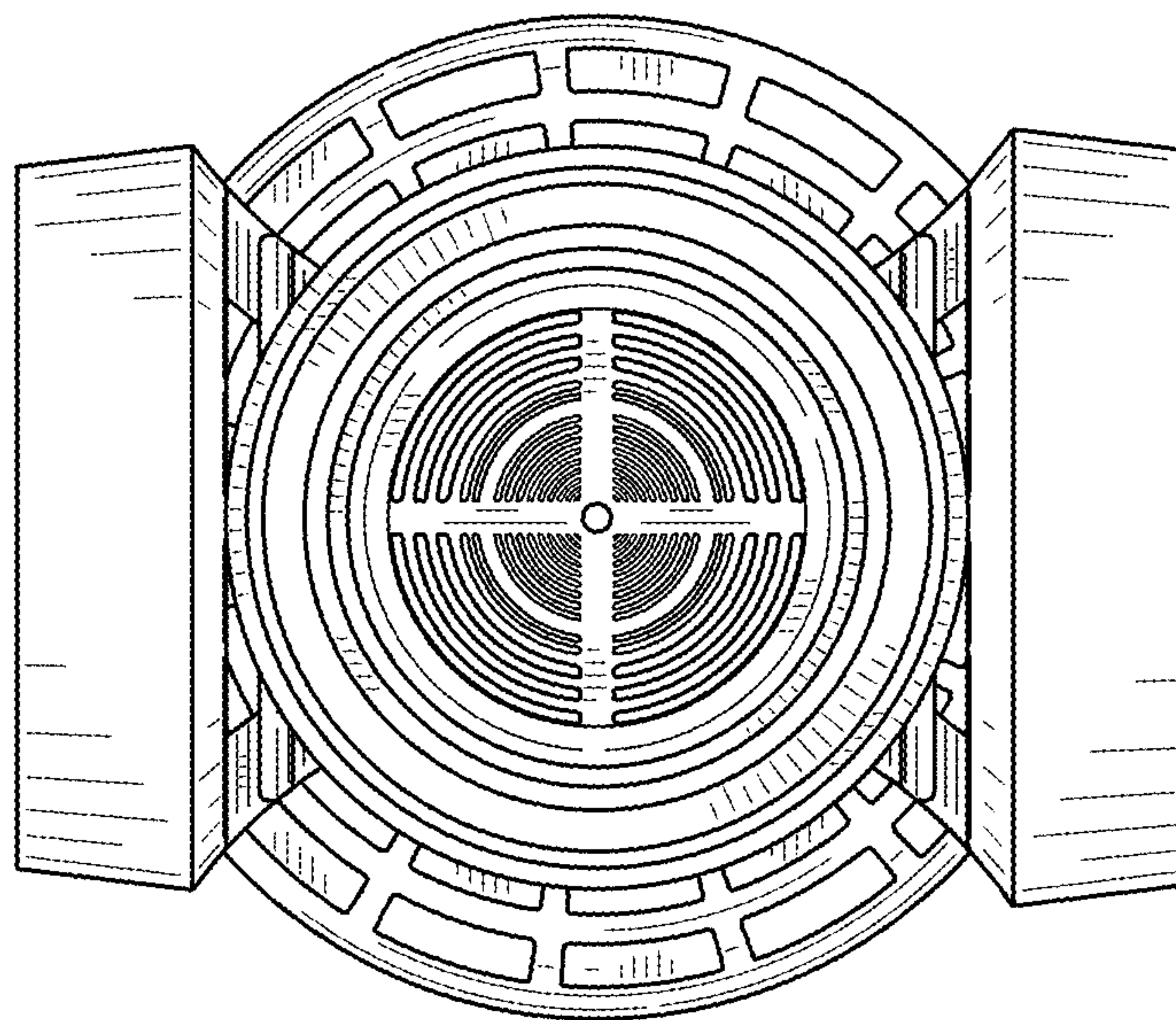


FIG. 7

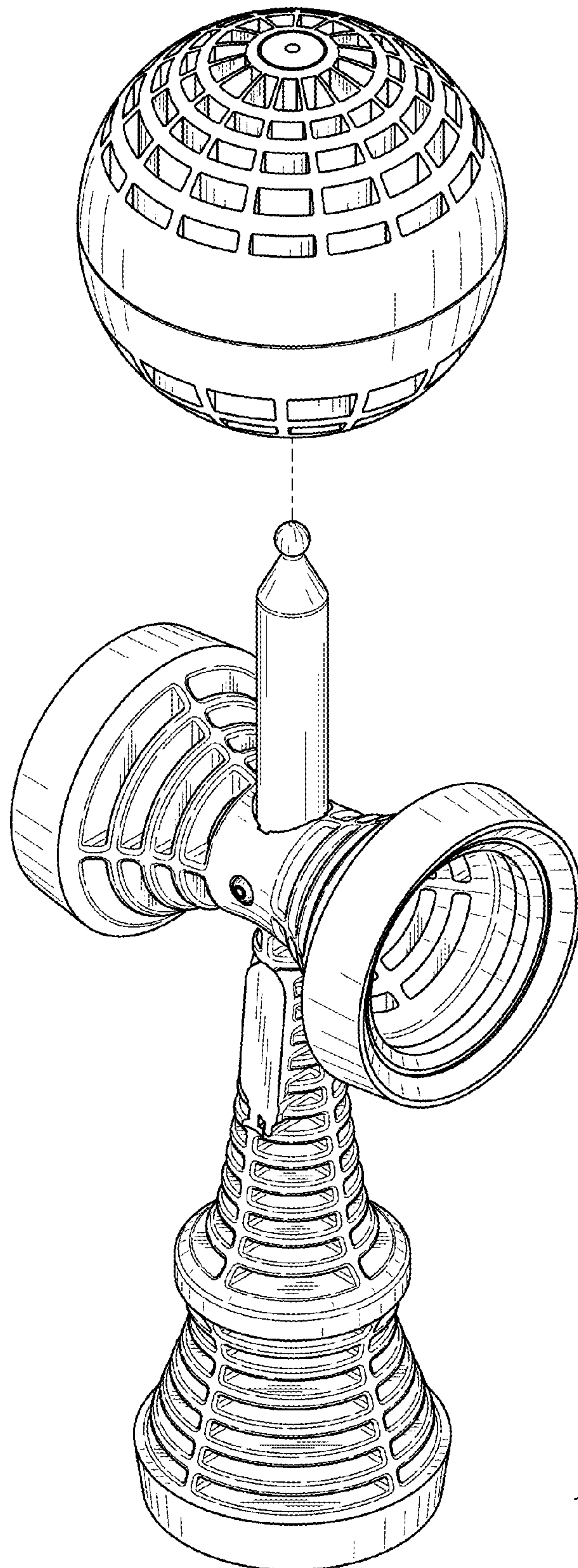


FIG. 8