



US00D754256S

(12) **United States Design Patent**  
**Maman et al.**

(10) **Patent No.:** **US D754,256 S**  
(45) **Date of Patent:** **\*\* Apr. 19, 2016**

- (54) **SIGN DISPLAY**
- (71) Applicants: **Israel Maman**, Nahariya (IL); **Reuven Maman**, Nahariya (IL)
- (72) Inventors: **Israel Maman**, Nahariya (IL); **Reuven Maman**, Nahariya (IL)
- (\*\*) Term: **14 Years**
- (21) Appl. No.: **29/490,552**
- (22) Filed: **May 12, 2014**
- (30) **Foreign Application Priority Data**  
Nov. 12, 2013 (IL) ..... 54783
- (51) **LOC (10) Cl.** ..... **20-03**
- (52) **U.S. Cl.**  
USPC ..... **D20/43**
- (58) **Field of Classification Search**  
USPC ..... D20/10, 17, 19, 43, 44, 99; D10/109.1, D10/109.2, 113.4; D6/300, 301  
CPC ..... G09F 1/10; G09F 1/103; G09F 1/12; G09F 1/14; G09F 2001/106; G09F 3/08; G09F 3/12; G09F 3/16; G09F 3/18; G09F 3/20; G09F 3/201; G09F 3/202; G09F 3/204; A47G 1/06; A47G 1/0638; A47G 2001/145  
See application file for complete search history.

- (56) **References Cited**  
U.S. PATENT DOCUMENTS  
4,187,630 A \* 2/1980 Giulie ..... G09F 1/12 40/757  
4,290,530 A \* 9/1981 Wooster ..... A47F 7/146 211/186  
D284,392 S \* 6/1986 Weil ..... D20/19  
4,679,341 A \* 7/1987 Goldman ..... G09F 7/10 40/490  
5,012,600 A \* 5/1991 Wang ..... A47G 1/0638 24/176

- 5,367,803 A \* 11/1994 Albin ..... B44C 5/02 40/759
- 6,076,295 A \* 6/2000 Garfinkle ..... G09F 7/18 40/605
- D452,081 S \* 12/2001 Rowan ..... D6/300
- 7,055,275 B1 \* 6/2006 Teza ..... A47G 1/065 40/674
- 7,308,769 B2 \* 12/2007 Labedz ..... G09F 7/02 40/568
- D652,083 S \* 1/2012 Yi ..... D20/42
- D711,670 S \* 8/2014 Woods ..... D6/681
- D742,651 S \* 11/2015 Sands ..... D6/300
- 2001/0045038 A1 \* 11/2001 Szalay ..... G09F 7/10 40/661
- 2008/0000125 A1 \* 1/2008 Chang ..... A47G 1/06 40/723
- 2014/0109448 A1 \* 4/2014 Lehrkamp ..... G09F 15/0012 40/606.09
- 2014/0305015 A1 \* 10/2014 Zelbacher ..... A47G 1/0622 40/714

\* cited by examiner

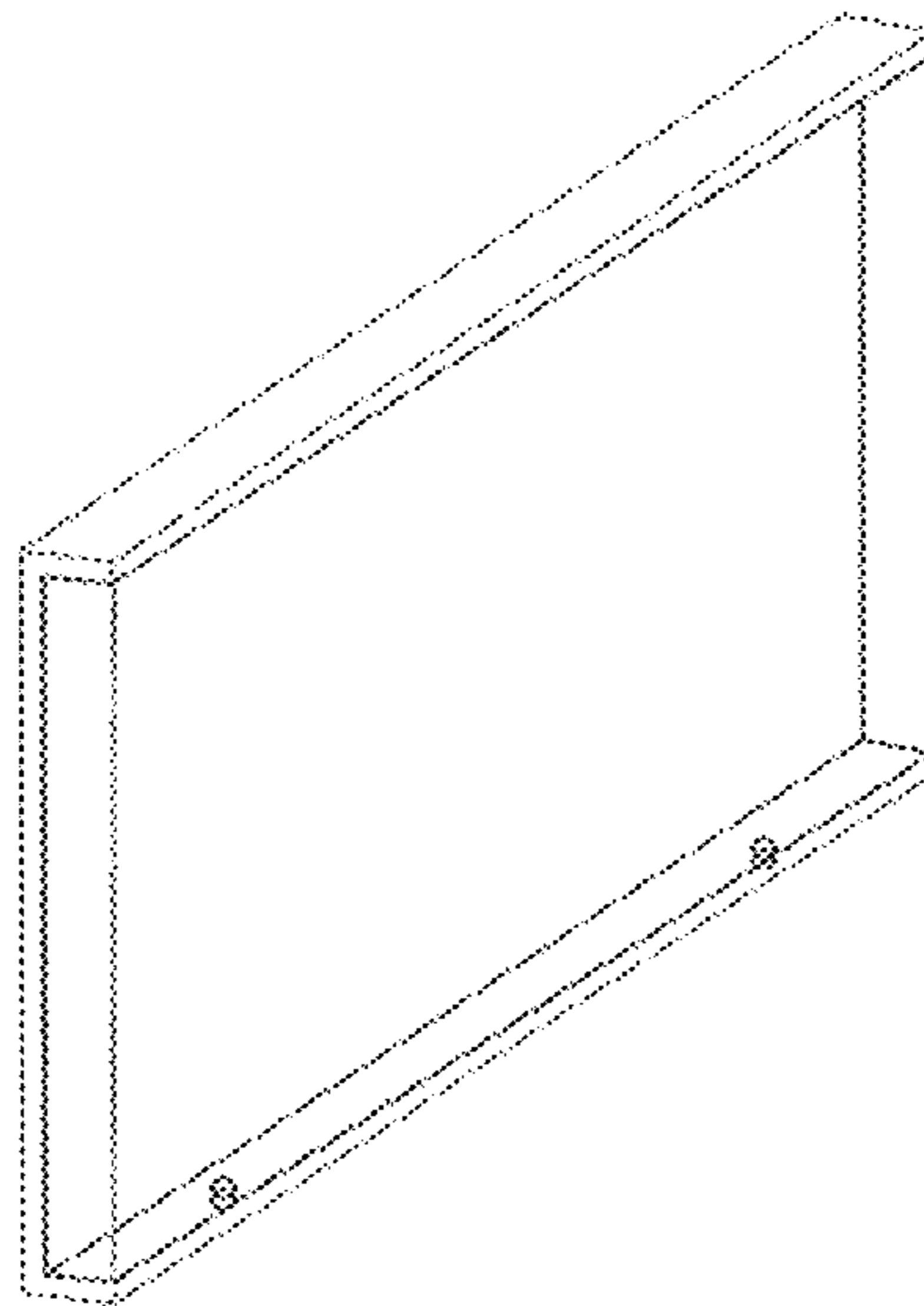
*Primary Examiner* — Mary Ann Calabrese  
(74) *Attorney, Agent, or Firm* — William H. Dippert; Laurence A. Greenberg; Werner H. Stemer

(57) **CLAIM**  
The ornamental design for a sign display, as shown and described.

**DESCRIPTION**

FIG. 1 is a frontal elevation view showing our new design for a sign display of the present invention. FIG. 2 is a right side elevation view of the sign display thereof. FIG. 3 is a left side elevation view thereof. FIG. 4 is a top elevation view thereof. FIG. 5 is a bottom elevation view thereof; and, FIG. 6 is an isometric view of the sign display thereof. The present invention is a sign display for changeable signs that can be placed and replaced behind a transparent block so as to be displayed.

**1 Claim, 2 Drawing Sheets**



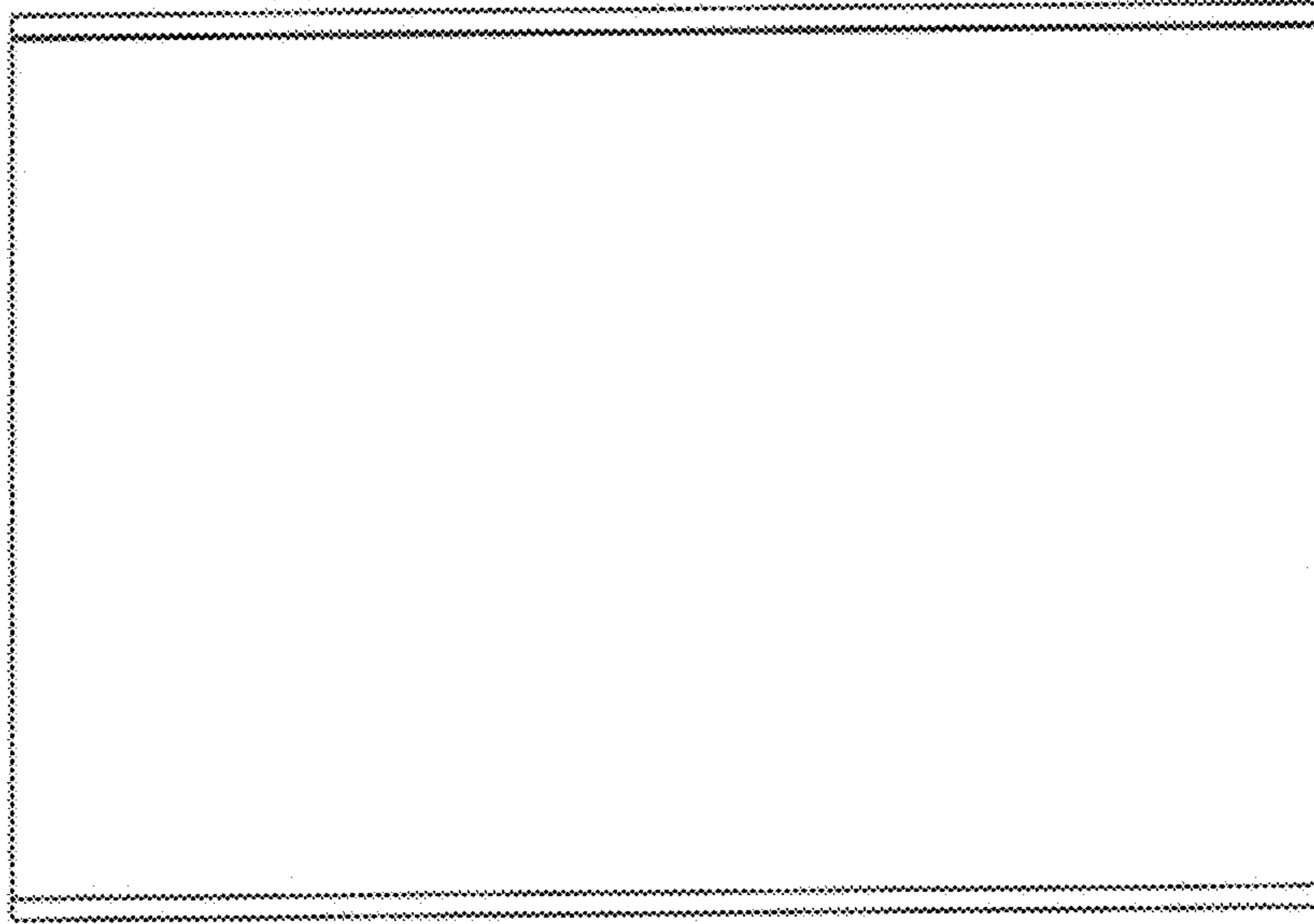


Figure 1

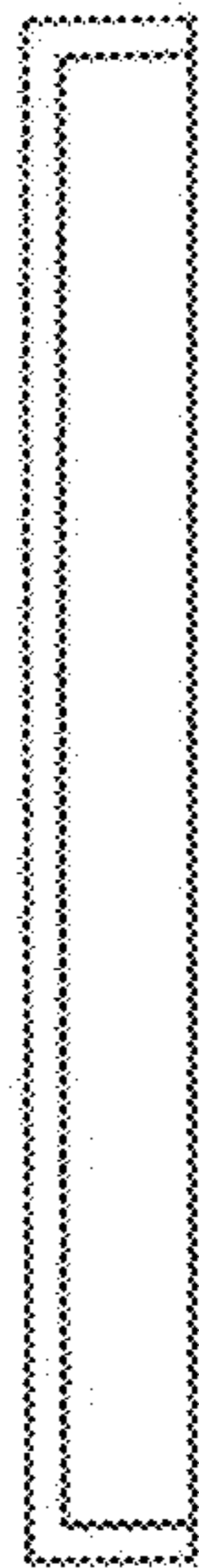


Figure 2

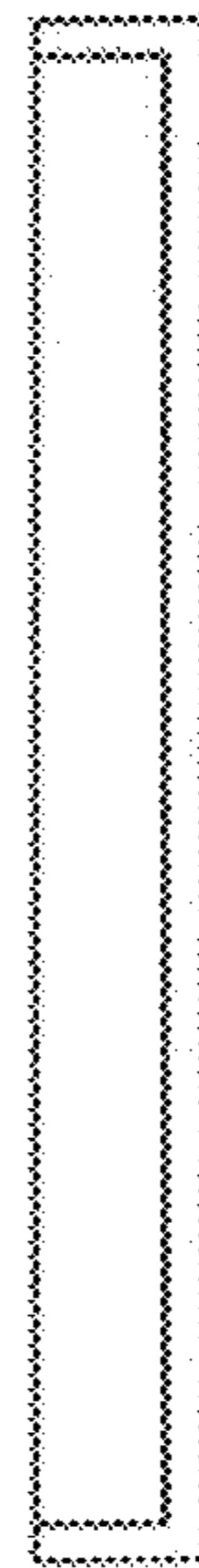


Figure 3



Figure 4



Figure 5

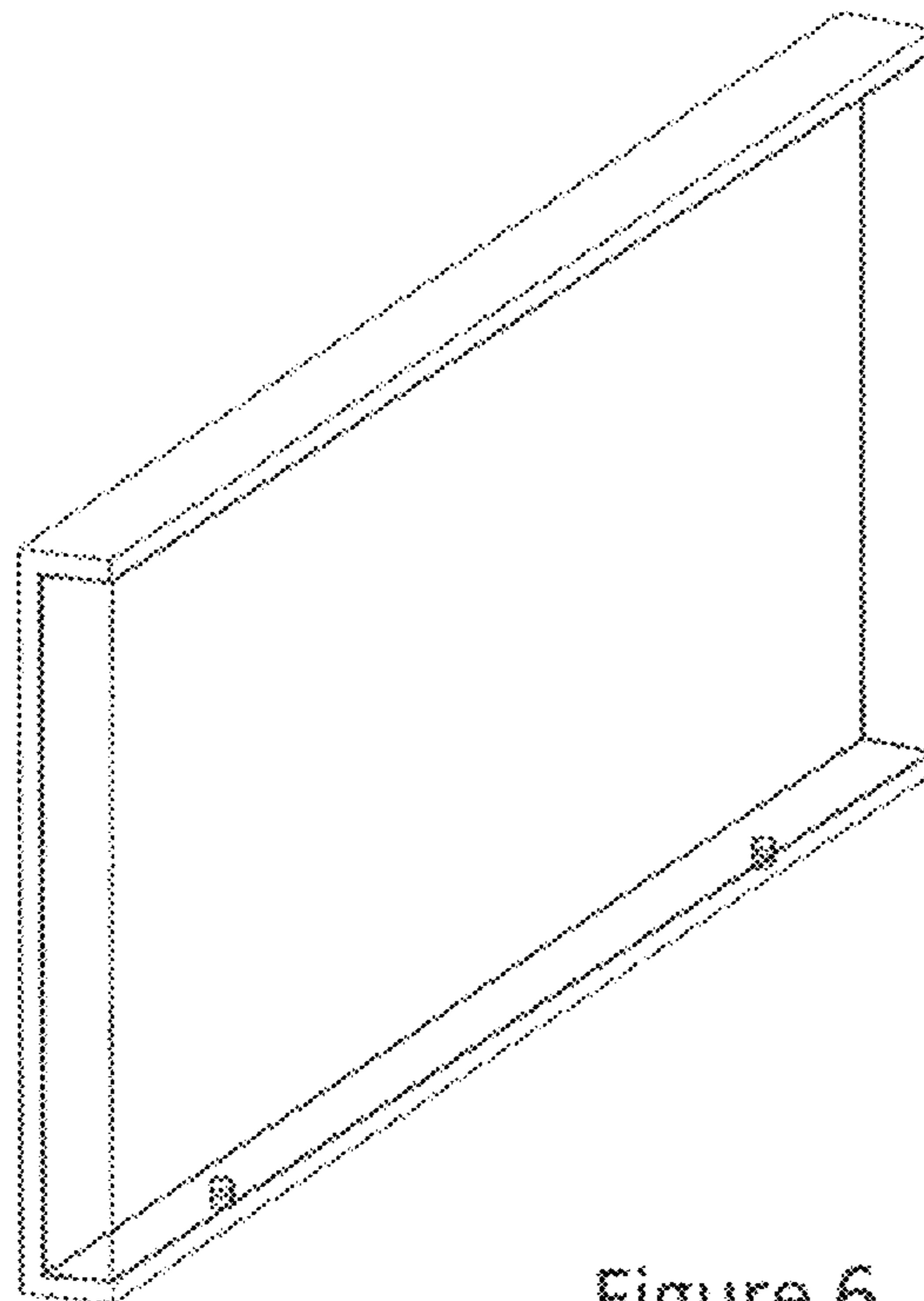


Figure 6