



US00D754255S

(12) **United States Design Patent**  
**Bigham et al.**

(10) **Patent No.:** **US D754,255 S**  
(45) **Date of Patent:** **\*\* Apr. 19, 2016**

(54) **VEHICLE MOUNTED BANNER DEVICE**

(71) Applicant: **HardFlags, LLC**, Montgomery, AL (US)

(72) Inventors: **Shannon Harold Bigham**, Montgomery, AL (US); **Jason Sloane Bigham**, Auburn, AL (US); **Lance Nicholas Covert**, Montgomery, AL (US)

(73) Assignee: **HardFlags, LLC**, Montgomery, AL (US)

(\*\*) Term: **15 Years**

(21) Appl. No.: **29/540,464**

(22) Filed: **Sep. 24, 2015**

**Related U.S. Application Data**

(62) Division of application No. 29/472,983, filed on Nov. 18, 2013, now Pat. No. Des. 744,594.

(51) **LOC (10) Cl.** ..... **20-02**

(52) **U.S. Cl.**  
USPC ..... **D20/41**

(58) **Field of Classification Search**  
USPC ..... D20/10, 19, 21, 39-42, 99; D10/59, D10/109.1, 109.2, 113.4; D8/349, 354; D11/165, 166, 168, 170, 181, 182; D12/162  
CPC ..... G09F 7/00; G09F 7/02; G09F 7/06; G09F 7/08; G09F 7/12; G09F 7/14; G09F 7/16; G09F 7/18; G09F 2007/122; G09F 2007/1821; G09F 2007/1834; G09F 2007/1886; G09F 9/00; G09F 13/00; G09F 13/02; G09F 13/04; G09F 13/18; G09F 13/22; G09F 2013/0431; G09F 2013/0495; G09F 2013/1895; G09F 15/00; G09F 15/0012; G09F 15/0037; G09F 15/02; G09F 17/00; G09F 2017/0075; B60R 13/00; B60Q 7/00; B60Q 7/005

See application file for complete search history.

(56) **References Cited**

U.S. PATENT DOCUMENTS

D225,593	S	*	12/1972	Jones	.....	D20/41
3,762,360	A		10/1973	Hawes		
D296,542	S	*	7/1988	Binford	.....	D10/110
D313,214	S		12/1990	Phillips et al.		
D332,932	S	*	2/1993	Nichols	.....	D12/317
D354,712	S		1/1995	Moat		
5,463,974	A		11/1995	Seeder		
D371,164	S		6/1996	Shane		

(Continued)

*Primary Examiner* — Mary Ann Calabrese

(74) *Attorney, Agent, or Firm* — Alston & Bird LLP

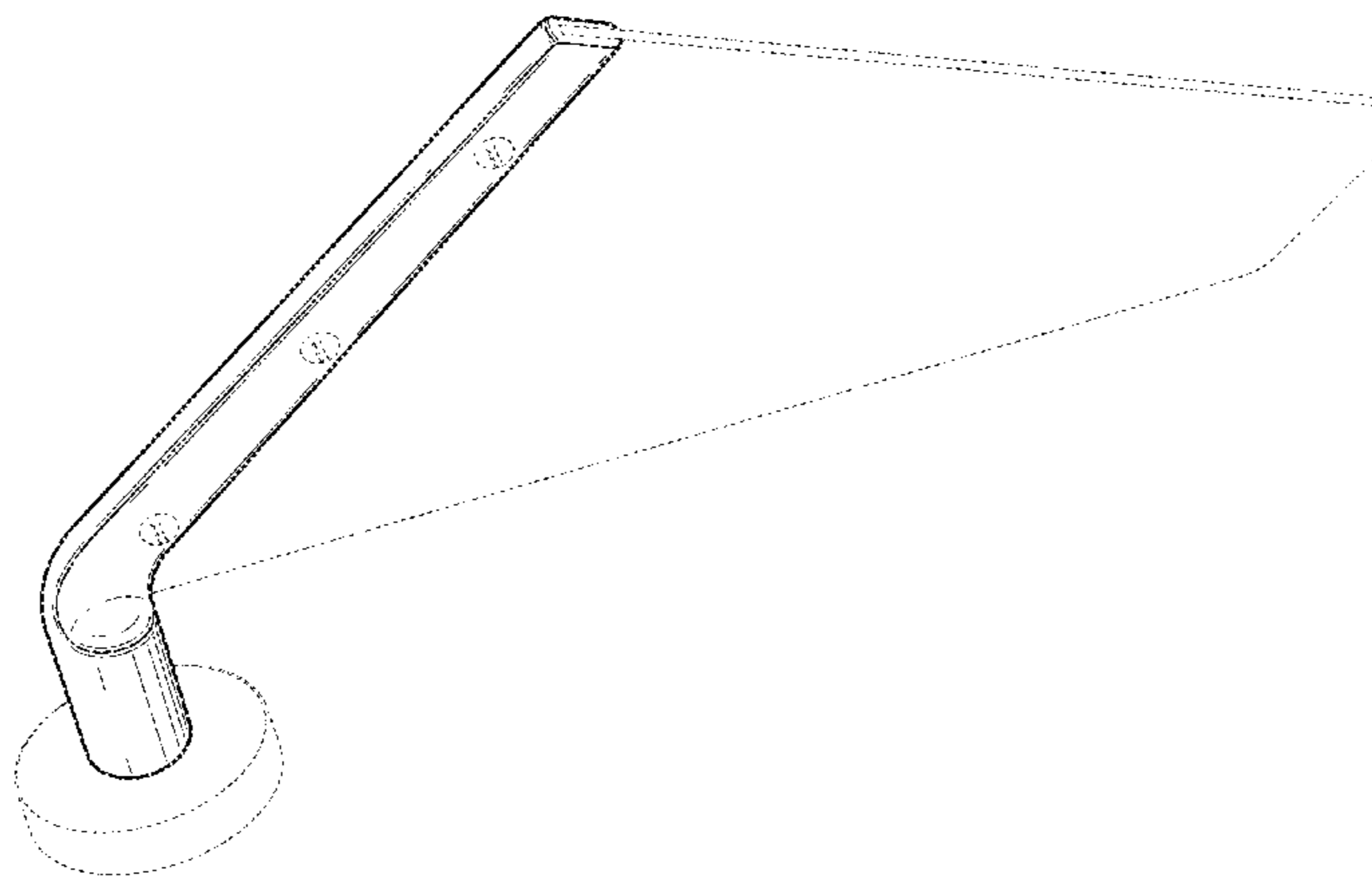
(57) **CLAIM**

The ornamental design for a vehicle mounted banner device, as shown and described.

**DESCRIPTION**

FIG. 1 is a top perspective view of a vehicle mounted banner device according to the present design, with a base mount and a banner element being shown in broken or dashed line format and forming no part of the claimed design of FIGS. 1-7; FIG. 2 is a leading side view of the vehicle mounted banner device shown in FIG. 1; FIG. 3 is a trailing side view of the vehicle mounted banner device shown in FIG. 1; FIG. 4 is a top view of the vehicle mounted banner device shown in FIG. 1; FIG. 5 is a bottom view of the vehicle mounted banner device shown in FIG. 1; FIG. 6 is a left side view of the vehicle mounted banner device shown in FIG. 1; and, FIG. 7 is a right side view of the vehicle mounted banner device shown in FIG. 1. The broken lines represent features that form no part of the claimed design.

**1 Claim, 5 Drawing Sheets**



(56)

**References Cited**

U.S. PATENT DOCUMENTS

5,727,497 A 3/1998 Nichols, Jr.  
D421,730 S 3/2000 Vance  
D434,082 S \* 11/2000 Tsiogas ..... D20/41  
D438,820 S 3/2001 Goulding  
6,276,083 B1 8/2001 Ross  
6,808,098 B1 10/2004 Bickett, III et al.

D564,595 S 3/2008 Barrett  
D567,629 S \* 4/2008 Kennedy ..... D8/349  
D578,442 S \* 10/2008 Oakley ..... D12/162  
D592,110 S \* 5/2009 Oakley ..... D12/162  
D744,594 S 12/2015 Bigham et al.  
2015/0033604 A1 \* 2/2015 Bigham ..... G09F 17/00  
40/591  
2015/0213741 A1 7/2015 Bigham et al.

\* cited by examiner

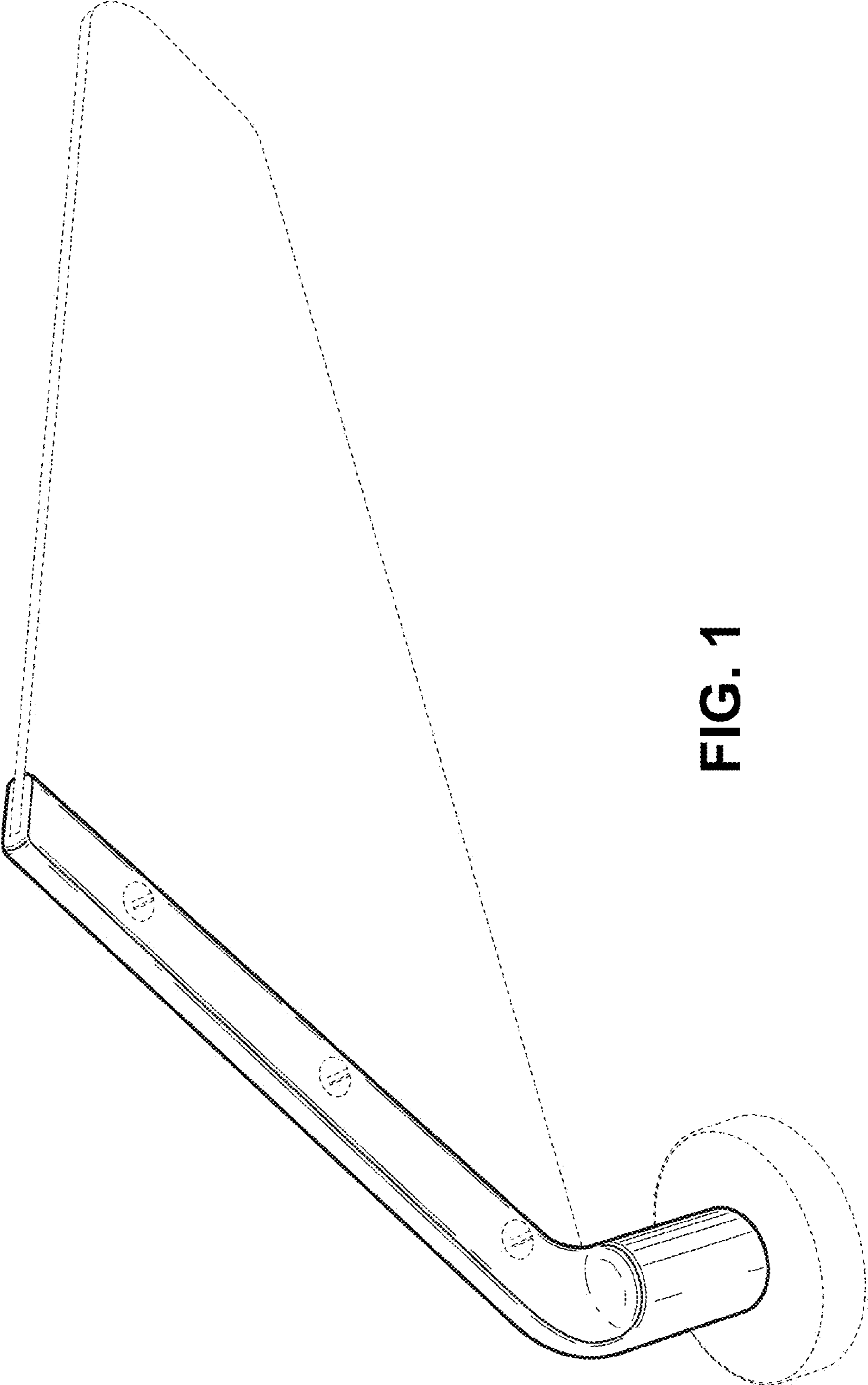


FIG. 1

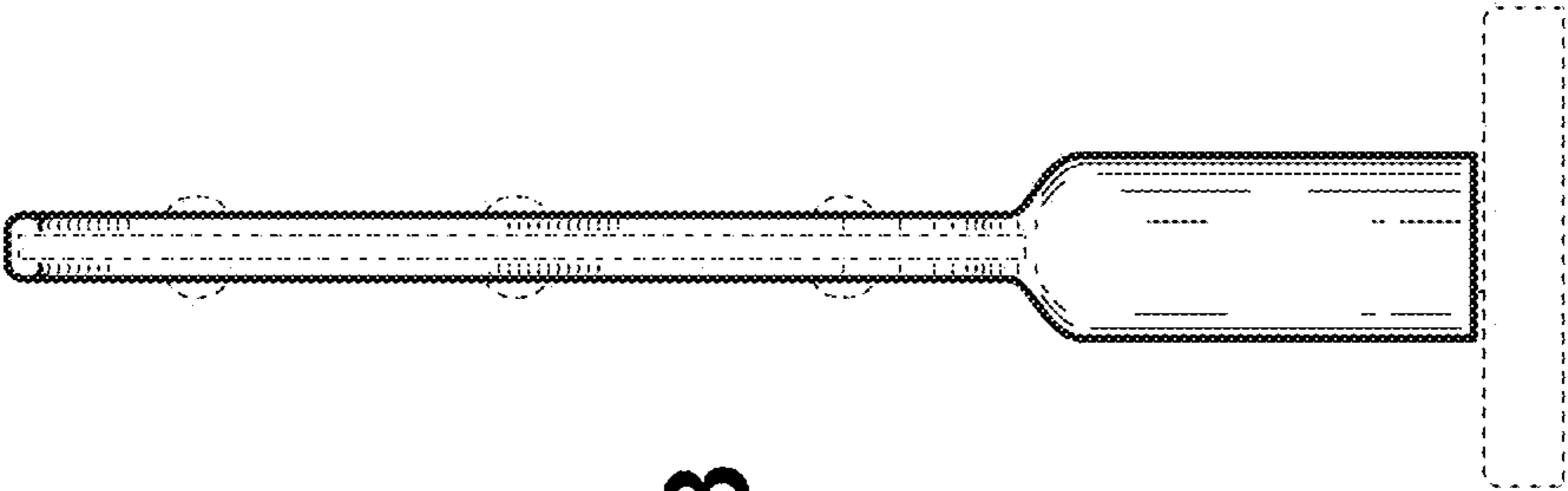


FIG. 3

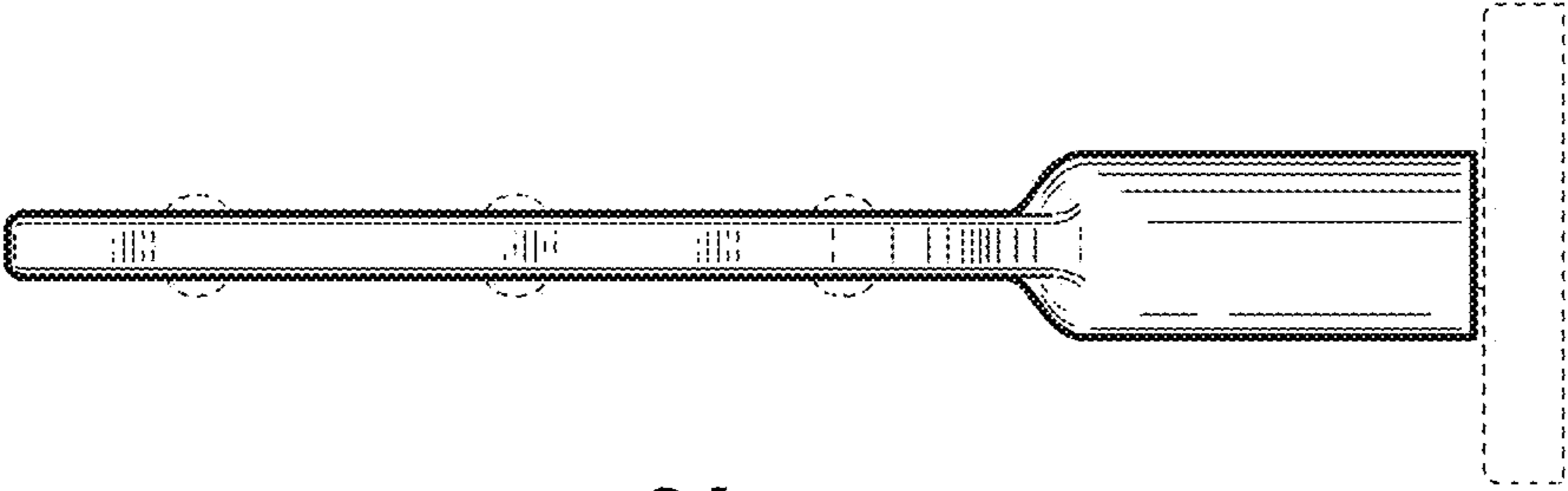
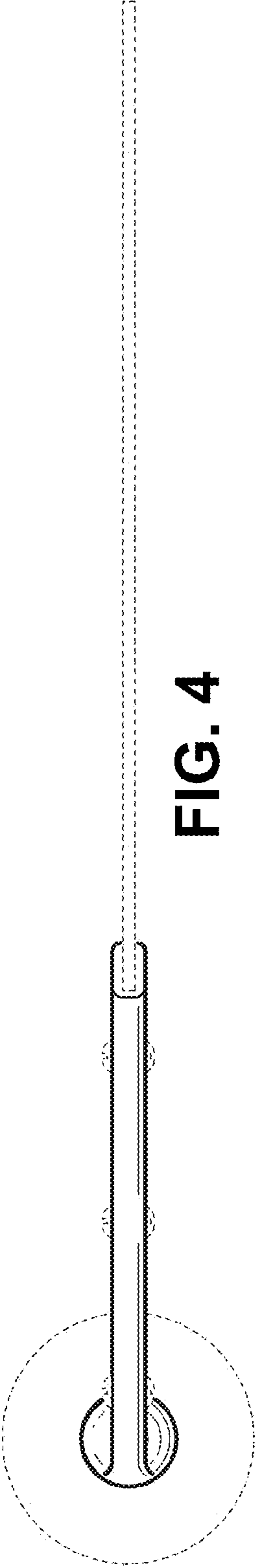
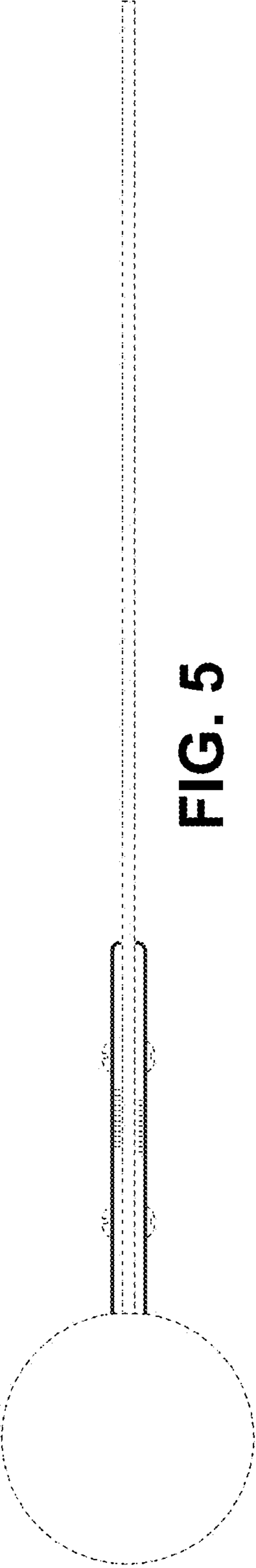


FIG. 2



**FIG. 4**



**FIG. 5**

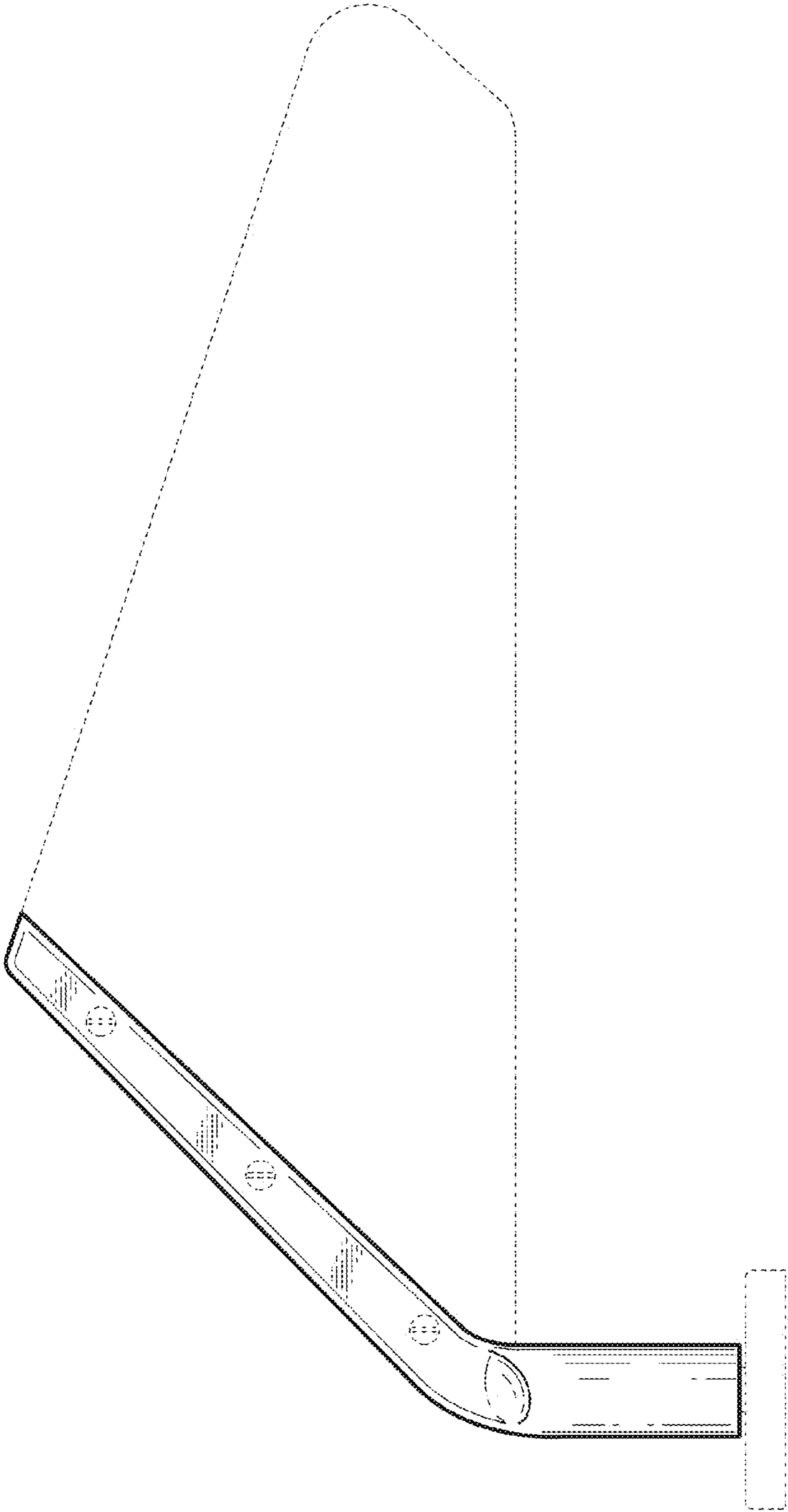


FIG. 6

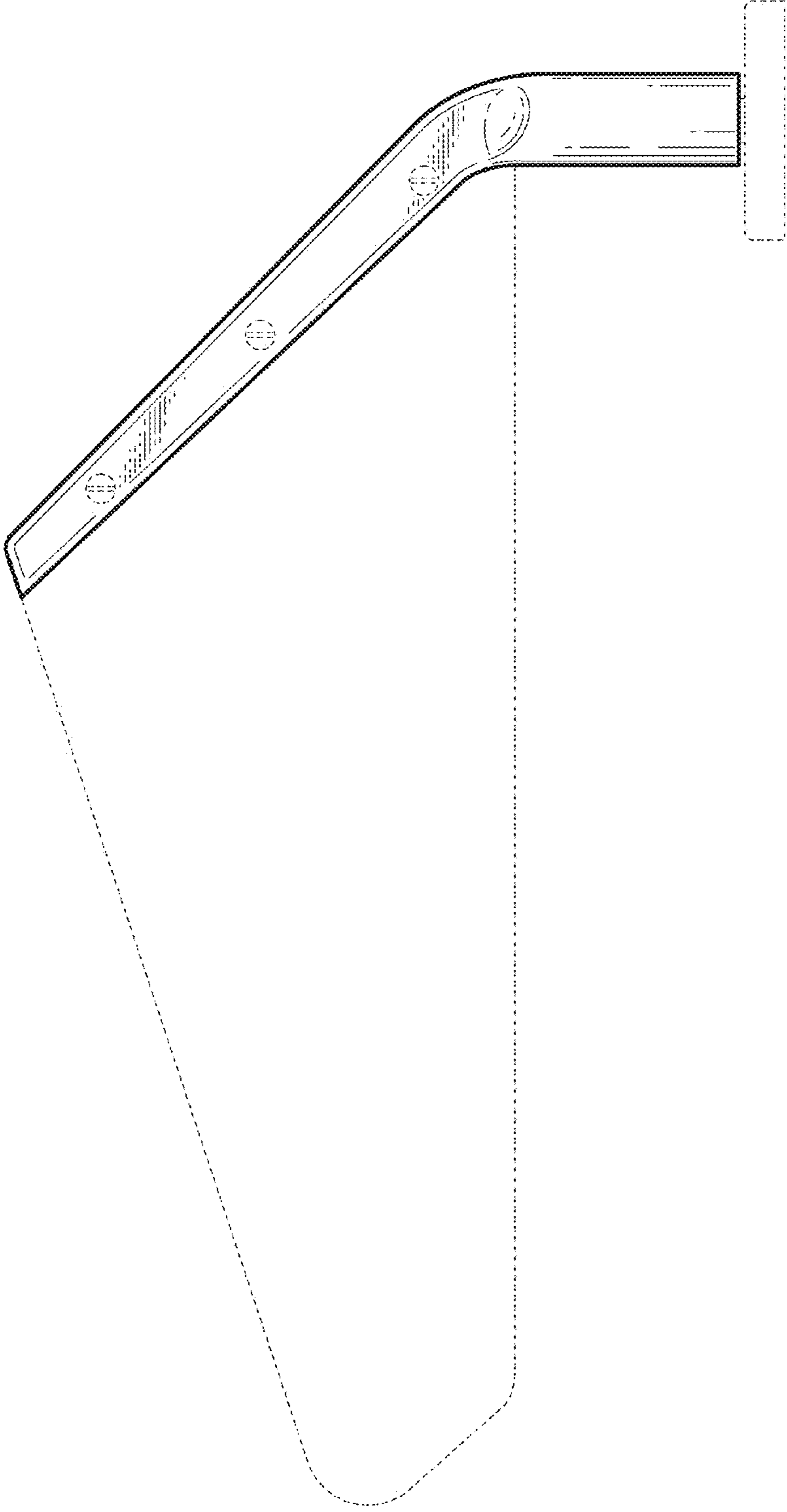


FIG. 7