



US00D754251S

(12) **United States Design Patent**
Bigham et al.

(10) **Patent No.:** **US D754,251 S**
(45) **Date of Patent:** **** Apr. 19, 2016**

(54) **VEHICLE MOUNTED BANNER DEVICE**

(71) Applicant: **HardFlags, LLC**, Montgomery, AL (US)

(72) Inventors: **Shannon Harold Bigham**, Montgomery, AL (US); **Jason Sloane Bigham**, Auburn, AL (US); **Lance Nicholas Covert**, Montgomery, AL (US)

(73) Assignee: **HardFlags, LLC**, Montgomery, AL (US)

(**) Term: **15 Years**

(21) Appl. No.: **29/540,463**

(22) Filed: **Sep. 24, 2015**

Related U.S. Application Data

(62) Division of application No. 29/472,983, filed on Nov. 18, 2013, now Pat. No. Des. 744,594.

(51) **LOC (10) Cl.** **20-03**

(52) **U.S. Cl.**
USPC **D20/10; D20/22; D20/40**

(58) **Field of Classification Search**
USPC D20/10, 19, 21, 22, 39-42, 99; D10/59, D10/109.1, 109.2, 113.4; D8/349, 354; D11/165, 166, 168, 170, 181, 182; D12/162
CPC G09F 7/00; G09F 7/02; G09F 7/06; G09F 7/08; G09F 7/12; G09F 7/14; G09F 7/16; G09F 7/18; G09F 2007/122; G09F 2007/1821; G09F 2007/1834; G09F 2007/1886; G09F 9/00; G09F 13/00; G09F 13/02; G09F 13/04; G09F 13/18; G09F 13/22; G09F 2013/0431; G09F 2013/0495; G09F 2013/1895; G09F 15/00; G09F 15/0012; G09F 15/0037; G09F 15/02; G09F 17/00; G09F 2017/0075; B60R 13/00; B60Q 7/00; B60Q 7/005

See application file for complete search history.

(56) **References Cited**

U.S. PATENT DOCUMENTS

2,527,357 A * 10/1950 Donahey B60R 13/00
116/173
3,762,360 A 10/1973 Hawes
4,875,431 A * 10/1989 Dobosz B60R 13/00
116/173
D313,214 S 12/1990 Phillips et al.
5,363,792 A * 11/1994 Petechik B60Q 7/00
116/28 R
D354,712 S 1/1995 Moat
5,463,974 A 11/1995 Seeder

(Continued)

Primary Examiner — Mary Ann Calabrese

(74) *Attorney, Agent, or Firm* — Alston & Bird LLP

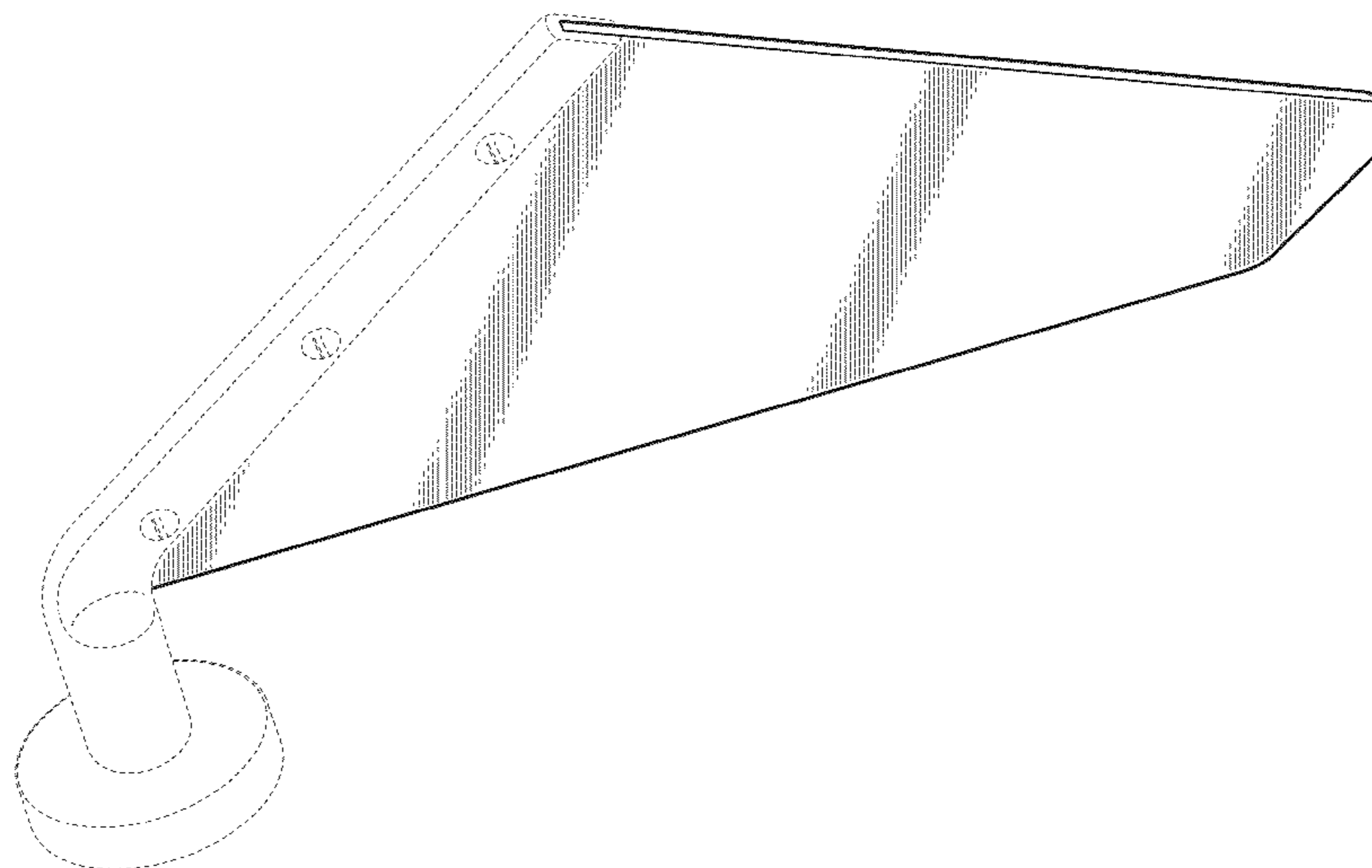
(57) **CLAIM**

The ornamental design for a vehicle mounted banner device, as shown and described.

DESCRIPTION

FIG. 1 is a top perspective view of a vehicle mounted banner device according to the present design, with a base mount and a post member being shown in broken or dashed line format and forming no part of the claimed design of FIGS. 1-7; FIG. 2 is a leading side view of the vehicle mounted banner device shown in FIG. 1; FIG. 3 is a trailing side view of the vehicle mounted banner device shown in FIG. 1; FIG. 4 is a top view of the vehicle mounted banner device shown in FIG. 1; FIG. 5 is a bottom view of the vehicle mounted banner device shown in FIG. 1; FIG. 6 is a left side view of the vehicle mounted banner device shown in FIG. 1; and, FIG. 7 is a right side view of the vehicle mounted banner device shown in FIG. 1. The broken lines represent features that form no part of the claimed design.

1 Claim, 5 Drawing Sheets



(56)

References Cited

U.S. PATENT DOCUMENTS

D371,164 S 6/1996 Shane
5,727,497 A 3/1998 Nichols, Jr.
D421,730 S 3/2000 Vance
D438,820 S 3/2001 Goulding
6,276,083 B1 8/2001 Ross

6,808,098 B1 10/2004 Bickett, III et al.
D513,197 S * 12/2005 Damberger D10/59
D564,595 S 3/2008 Barrett
D640,164 S * 6/2011 Herota D11/165
9,165,483 B2 * 10/2015 Cobane G09F 13/02
D744,594 S 12/2015 Bigham et al.
2015/0033604 A1 2/2015 Bigham et al.
2015/0213741 A1 7/2015 Bigham et al.

* cited by examiner

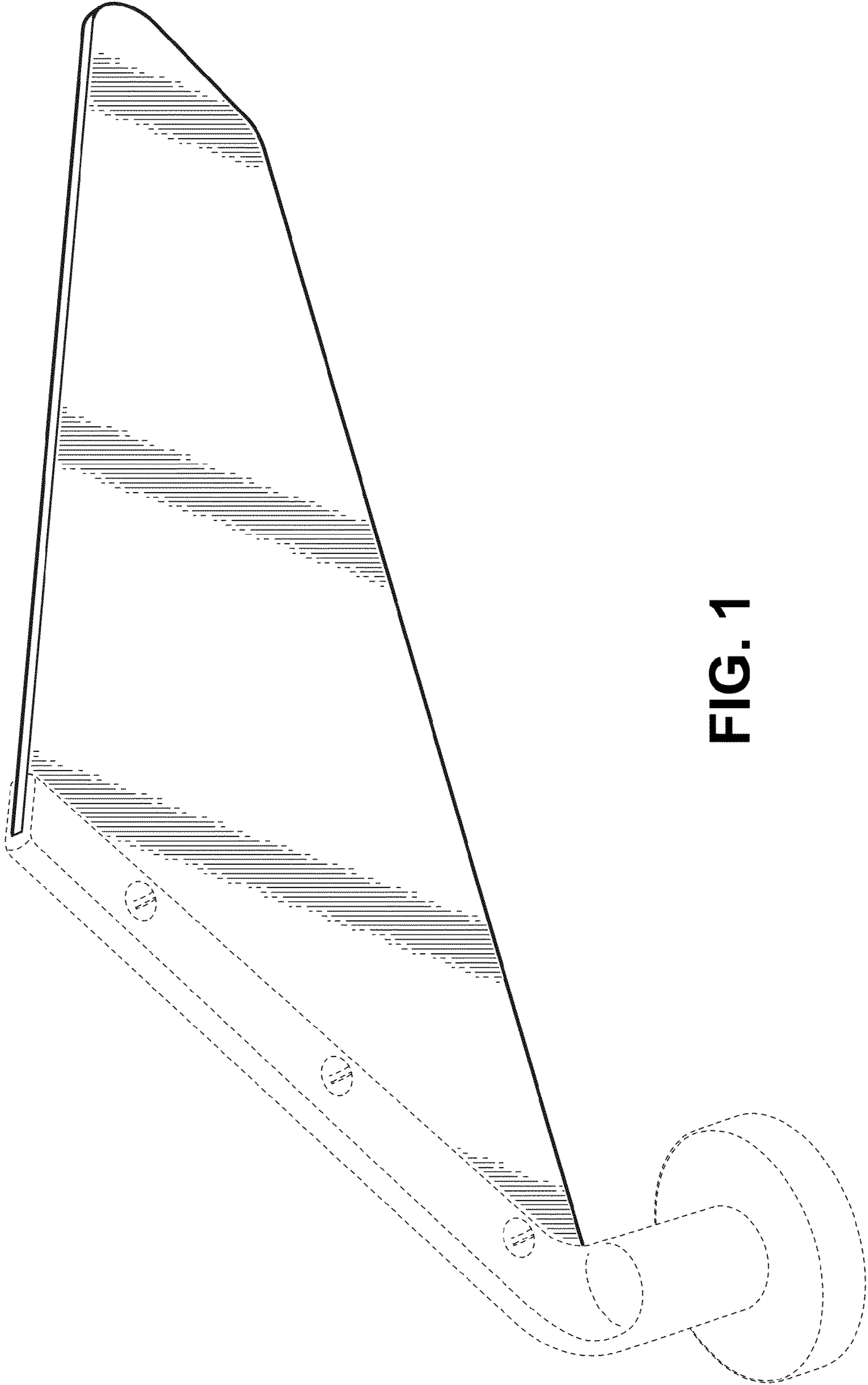


FIG. 1

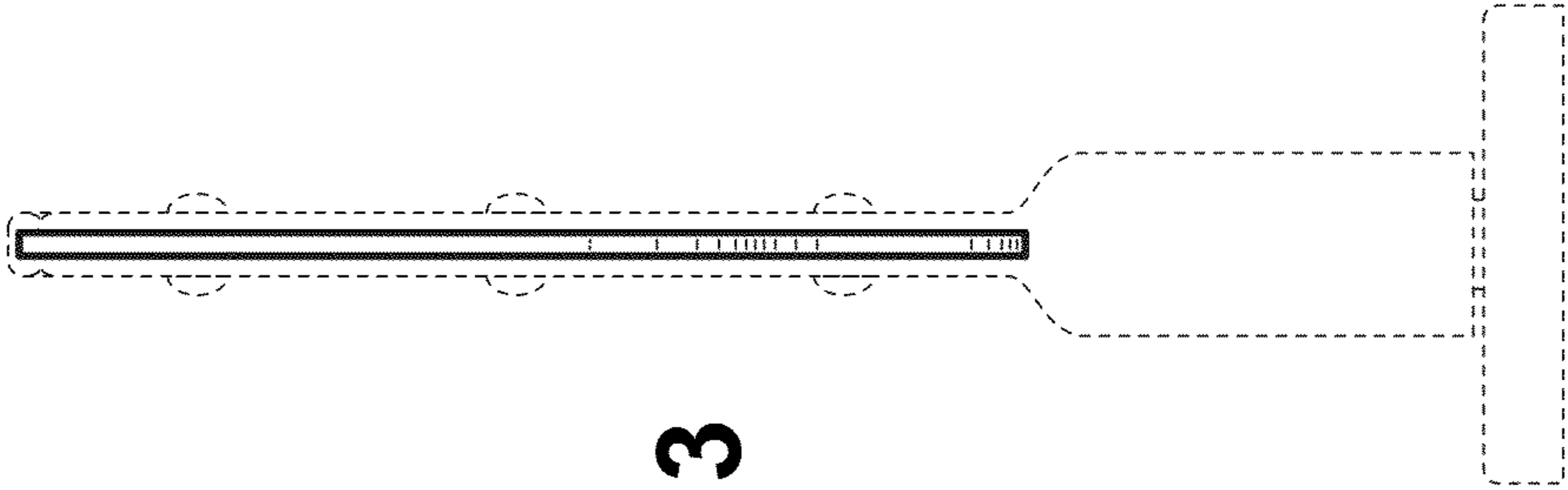


FIG. 3

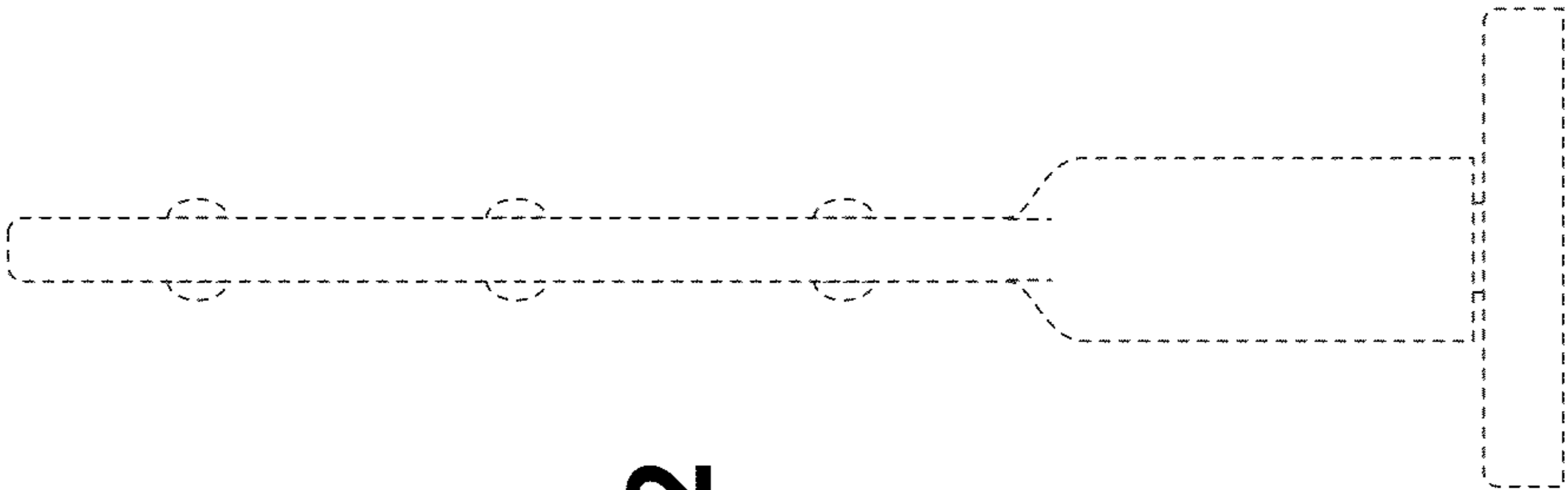
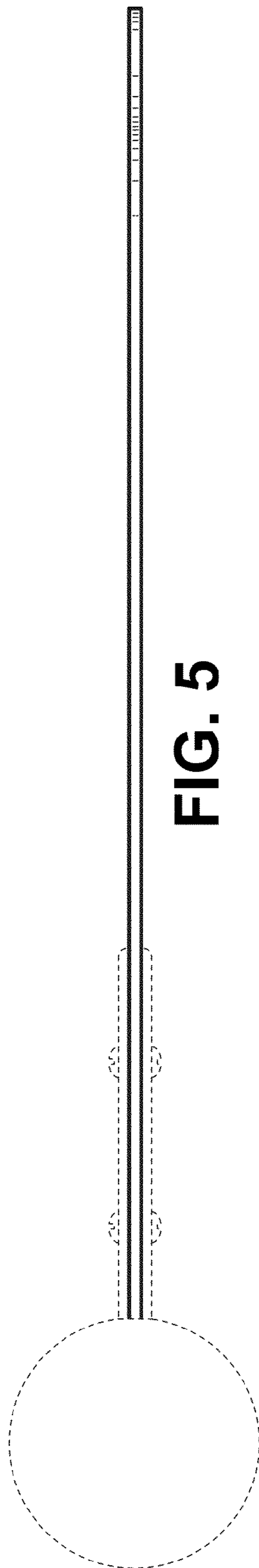
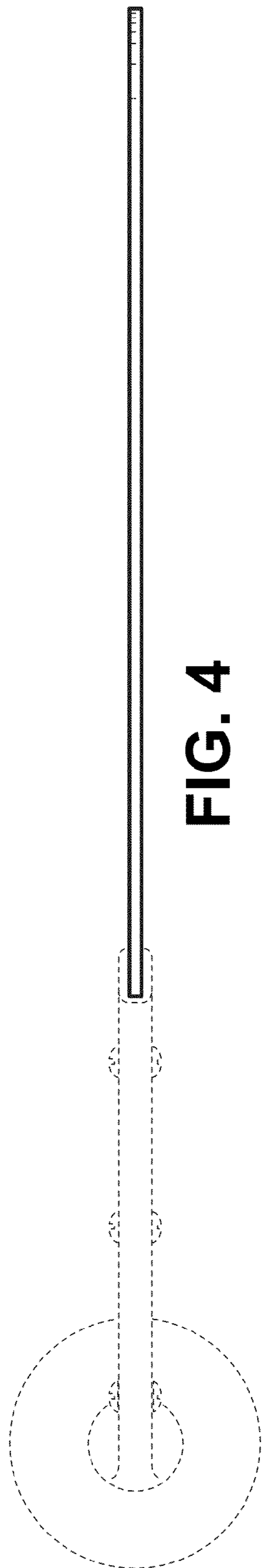


FIG. 2



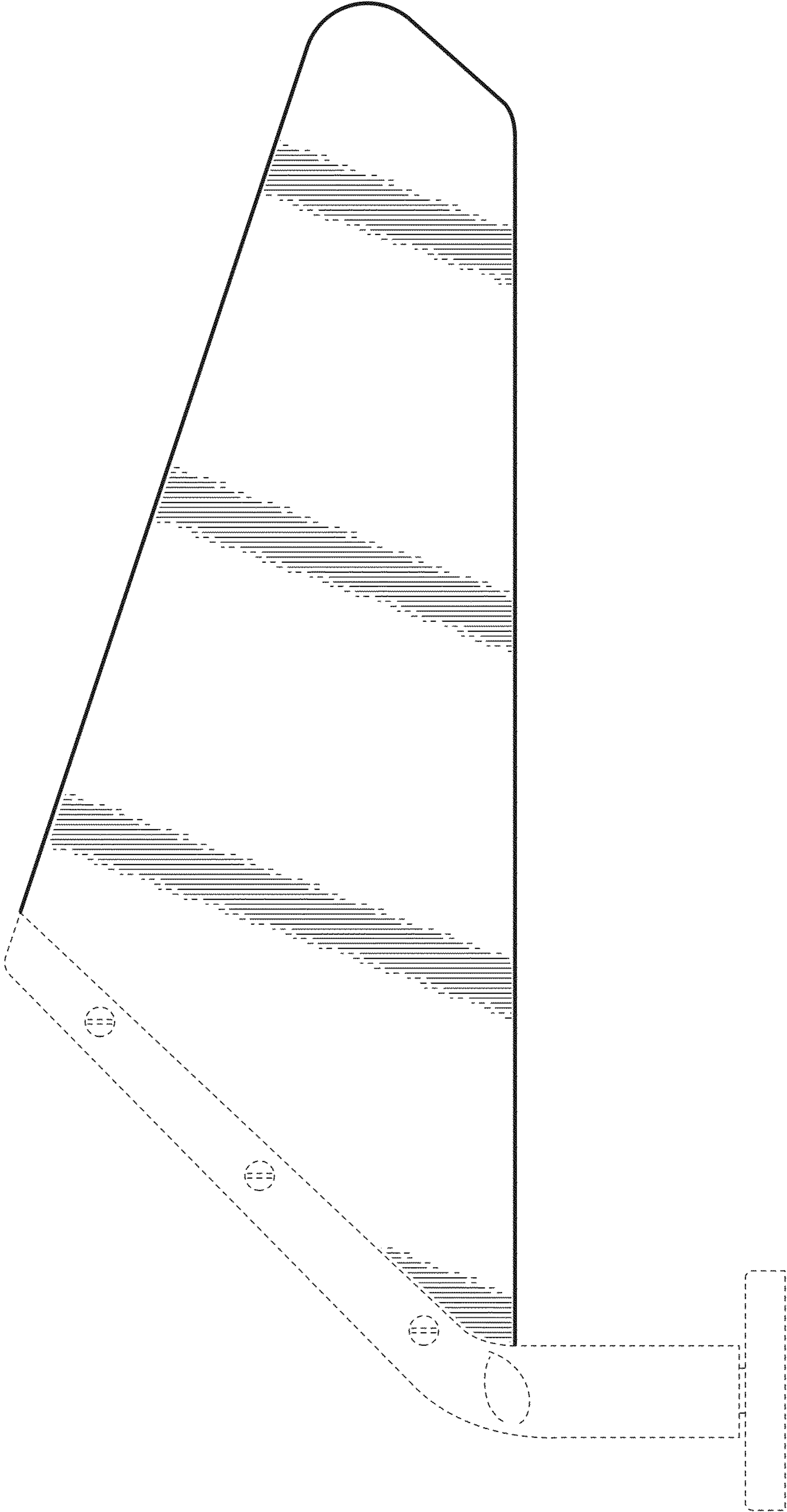


FIG. 6

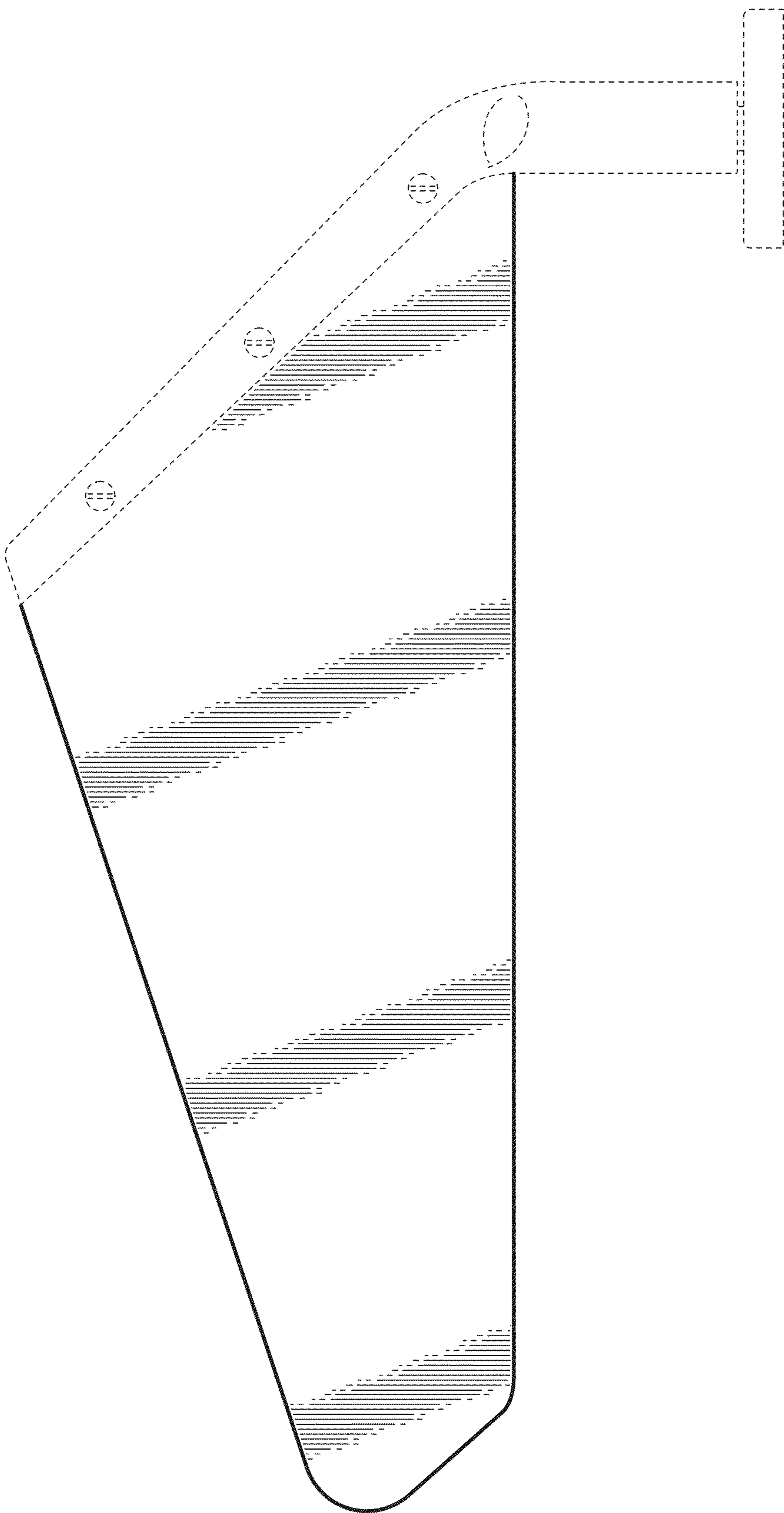


FIG. 7